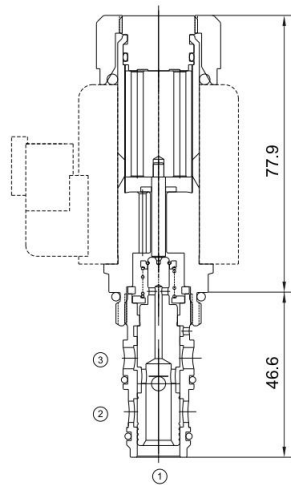


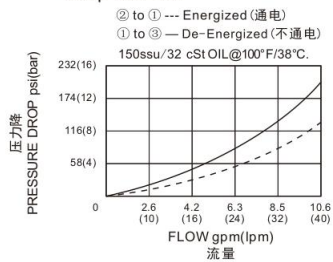


MPVRM3-10

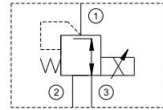
电磁比例减压阀
Electro-proportional
Reducing Cartridge Valve



压力-流量性能曲线
Performance Curve Pressure
Drop vs. Flow



机能符号 Symbol



技术参数 Specifications

· 工作压力 Operating Pressure	50BAR
· 流量 Flow	40L/min
· 内泄漏 Internal Leakage	35ml/min.max.at operating pressure
· 温度 Temperature	-30°C to +120°C (-22°F to +250°F)
· 插孔 Cavity	M241.5T see page K-22
· 流体 Fluids	Mineral-based fluids with viscosities of 7.4 to 420 cSt.

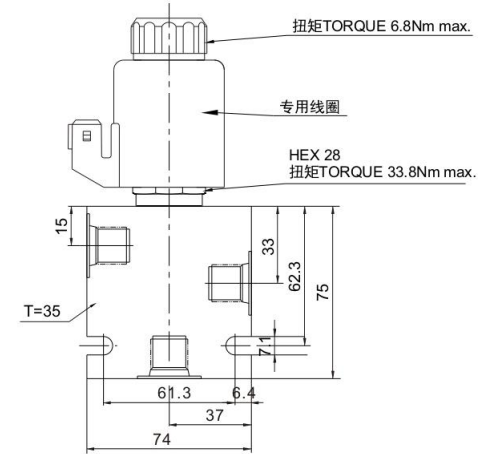
产品特性 Features

- 硬化处理, 零件耐久性强
Hardened, precision ground parts for durability
- 工业通用插孔
Industry common cavity
- 紧凑的结构
Compact size

工作 Operation

断电时, 油液从①口向③口流动;
通电后, 阀芯移动, 允许油液从②流向①或从①向②流动。
When de-energized, the oil flow from ① to ③;
When energized, valve core movement, allowing the oil flow from ② to ① or from ① to ②

安装尺寸 INSTALLATION DIMENSIONS



订购型号 Order Type

MPVRM3-10 - * - *** - * *

I II III IV

- | | | |
|---|---|---|
| <p>I. 油封 Seal-Kits
N=丁腈橡胶 Buna N
V=氟橡胶 Viton</p> <p>II. 线圈连接 Coil Connection
专用线圈</p> | <p>III. 阀块材质 BODY MATERIAL
A=6061-T6铝
耐压强度207Bar
6061-T6 aluminum
alloy rated at 207Bar
S=钢材 耐压强度350Bar
steel rated at 350Bar</p> | <p>IV. 阀块油口 BODY PORTING
6T=SAE 6T
8T=SAE 8T
3G=G3/8
3N=NPT3/8
其他螺纹油口是可选择的
Other porting is available</p> |
|---|---|---|

