



FOSHAN RYSON DEVELOPMENT HARDWARE CO., LTD

 **SMALL NAIL SOLID WORLD**



FOSHAN RYSON DEVELOPMENT HARDWARE CO., LTD

Add: Datong Baishan Industrial Park ,Xiqiao Town,
Nanhai District ,Foshan City ,Guangdong ,China

Post Code: 528211

Export Tel: +86-757-86885860

Domestic Tel: +86-757- 86885861

Fax: 0086-757-86885862

Website: www.rysonfasteners.com

E-mail: info@rysonfasteners.com



[www.rysonfasteners .com](http://www.rysonfasteners.com)

About RYSON

Located in Foshan furniture purchase centre of the Pear Rivers Delta ,Guangdong, China ,Foshan Ryson Development Hardware Co., Ltd. is a professional manufacturer of various kinds of mattress clips and staples , such as spring mattress clips, bedding nails and sofa clips etc.

With professional work team, advanced equipment, strict selection of materials and rigid quality control, Ryson' s staples fit for famous brand pneumatic guns such as: SENCO, BEA BOSTITCH, FASCO, PREBANA, PASLODE, ATRO, DUOFAST etc, and enjoy great popularity in America, Canada, Europe, Japan, Southeast Asia, Middle East etc

Diligence makes excellence. With the principle of "Quality first, Customers supreme" , Foshan Ryson Development Hardware Co., Ltd is making progress and innovating new products unceasingly , and return customers with high quality products and service.

We genuinely hope to cooperate with all friends over the world, hand in hand, go for a brilliant future.

Contents

01 Mattress Clip

The roll type clips are more conveniently used , is widely used in the productions of spring bed mattress ,car seat cushion ,pet cage , spring sofa and other products.

08 C Ring

This product has been made of the high quality galvanized material, is mainly used in the productions spring mattress , car cushion, pet cage ,spring sofa and other products.

12 Hog Ring

The hardness of the product is moderate to the angle of the nail ,has the fixing effect of the optimal bed net and blanket connection, mainly used for fixing of the bed net and the in the production of mattress ticking.

13 U Crown Staple

This product has been made of high quality galvanized material, is mainly used for the fixing of the connection on bed net wood and the connection fixing of the sofa cushion serpentine spring etc.

14 P88 Staple

The high-quality nail made the advanced equipment has surface smooth ,use smooth and other characteristic , is mainly used for the fixing connection of spring mattress palm fiber mattress and blanket.



CERTIFICATION

SGS

Test Report No.: SDHGR130100138CM Date: Feb.04, 2013 Page 5 of 5
Photo Appendix



Remark: This test was conducted at 198 Kezhu Road, Sciencetech Park Guangzhou Economic & Technology Development District, Guangdong Province, China.
*** End of Report ***

The Member of the SGS Group (2012-2014)

SGS

Test Report No.: SDHGR130100138CM Date: Feb.04, 2013 Page 1 of 5
FOSHAN NANHAI RYSON FASTENERS FACTORY
DATONG BAIJIAN INDUSTRIAL PARK, XIQIAO TOWN, NANHAI DISTRICT,
FOSHAN CITY, GUANGDONG, CHINA.

The following sample(s) was / were submitted and identified on behalf of the client as:
Sample Description : MATTRESS CLIPS
SGS Ref No. : CAN13-015003
Sample Receiving Date : Jan.25, 2013
Test Performing Date : Jan.25, 2013 to Feb.04, 2013

Test Requested	Result
To determine Content(s) of Cadmium(Cd), Lead(Pb), Mercury(Hg), Hexavalent Chromium(Cr(VI)), PBBs & PBDEs in the selected parts on the submitted sample(s) with reference to RoHS Directive 2011/65/EU Annex II, recasting 2002/95/EC.	PASS

Signed for and on behalf of
SGS-CSTC Co., Ltd.

Jack Yao
Approved signatory

The Member of the SGS Group (2012-2014)

SGS

Test Report No.: SDHGR130100137CM Date: Feb.04, 2013 Page 5 of 5
Photo Appendix



Remark: This test was conducted at 198 Kezhu Road, Sciencetech Park Guangzhou Economic & Technology Development District, Guangdong Province, China.
*** End of Report ***

The Member of the SGS Group (2012-2014)

SGS

Test Report No.: SDHGR130100137CM Date: Feb.04, 2013 Page 1 of 5
FOSHAN NANHAI RYSON FASTENERS FACTORY
DATONG BAIJIAN INDUSTRIAL PARK, XIQIAO TOWN, NANHAI DISTRICT,
FOSHAN CITY, GUANGDONG, CHINA.

The following sample(s) was / were submitted and identified on behalf of the client as:
Sample Description : C-RINGS
SGS Ref No. : CAN13-015007
Sample Receiving Date : Jan.25, 2013
Test Performing Date : Jan.25, 2013 to Feb.04, 2013

Test Requested	Result
To determine Content(s) of Cadmium(Cd), Lead(Pb), Mercury(Hg), Hexavalent Chromium(Cr(VI)), PBBs & PBDEs in the selected parts on the submitted sample(s) with reference to RoHS Directive 2011/65/EU Annex II, recasting 2002/95/EC.	PASS

Signed for and on behalf of
SGS-CSTC Co., Ltd.

Jack Yao
Approved signatory

The Member of the SGS Group (2012-2014)



RYSON®
立信
RYSON and YOU



Mattress Clip

Mattress Clip



Mattress clips are made of high quality material, and jointed with two Poly Ethylene cording, which does not degrade over time to ensure the stability and smooth of the clips. Rolls of clips will be more convenient and efficient to use.

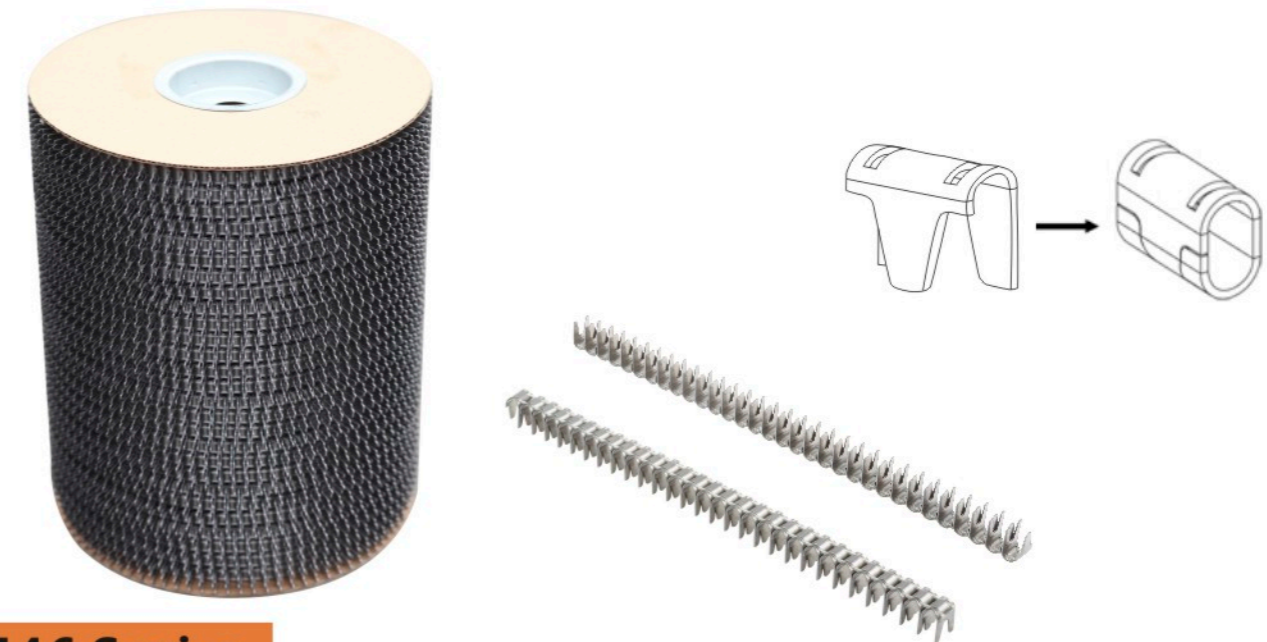
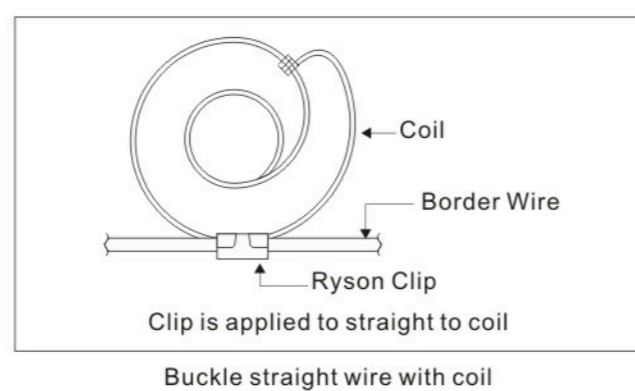
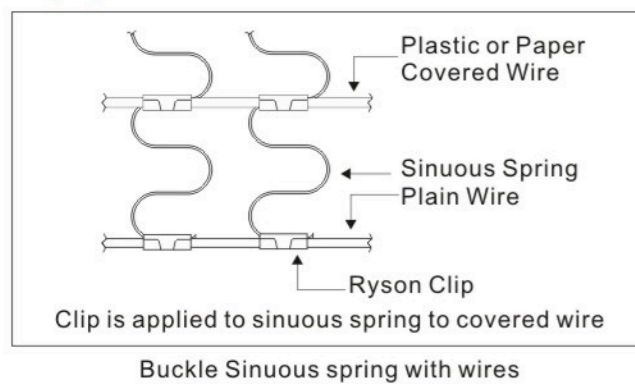
Application: Spring mattress manufacture, Car seat manufacture, Pet cage manufacture, Spring Sofa manufacture etc



M45 Series

Item No.	Crown	Inside Width	Height
CL-13	11mm	4.8mm	10.7mm
CL-15	11mm	4.8mm	10.0mm
CL-17	11mm	4.8mm	13.2mm
CL-19	11mm	4.8mm	14.0mm
CCP-26	11mm	4.8mm	12.5mm
CCP-26	11mm	5.1mm	12.5mm

Application



M46 Series

Item No.	Crown	Inside Width	Height
CL-12	11mm	6.2mm	11.0mm
CL-14	11mm	6.0mm	12.7mm
CL-14B	11mm	6.2mm	12.0mm
CL-16	11mm	6.2mm	14.5mm
CL-18	11mm	6.2mm	13.3mm
CL-20	11mm	6.2mm	14.0mm

M47 Series

Item No.	Crown	Inside Width	Height
CCP-32	11mm	5.7mm	13.8mm
CCP-33	11mm	5.6mm	13.5mm

M48 Series

Item No.	Crown	Inside Width	Height
M48	11mm	4.8mm	16.5mm



Mattress Clip

Mattress Clip



M65 Series

Item No.	Crown	Inside Width	Height
CL-23	22mm	4.8mm	12.7mm
CL-24	22mm	4.8mm	15.5mm
CL-73	19mm	4.8mm	12.7mm
CL-74	19mm	4.8mm	15.5mm

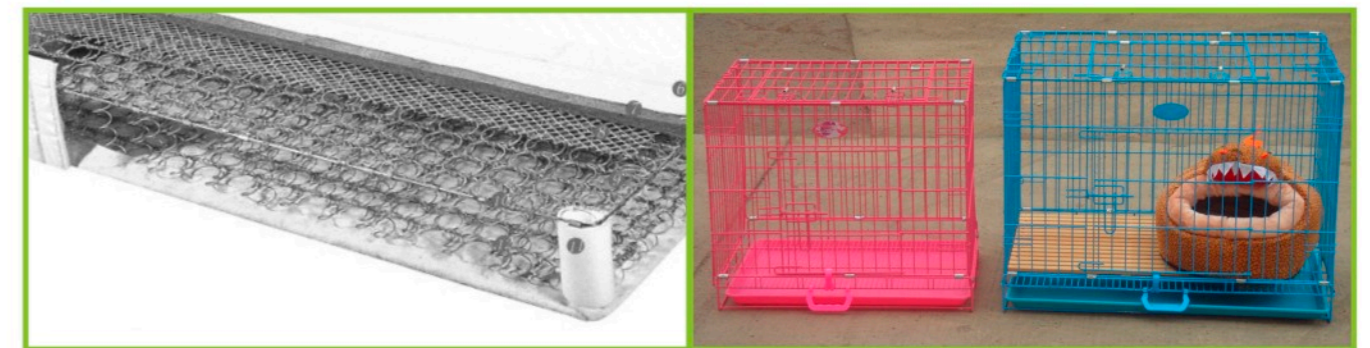
M66 Series

Item No.	Crown	Inside Width	Height
CL-3	22mm	6.2mm	12.3mm
CL-4	22mm	6.2mm	14.1mm
CL-05	19mm	6.2mm	15.5mm
CL-71	19mm	6.2mm	12.7mm
CL-72	18mm	6.2mm	14.1mm
CL-75B	19mm	6.1mm	15.0mm

Application



Application



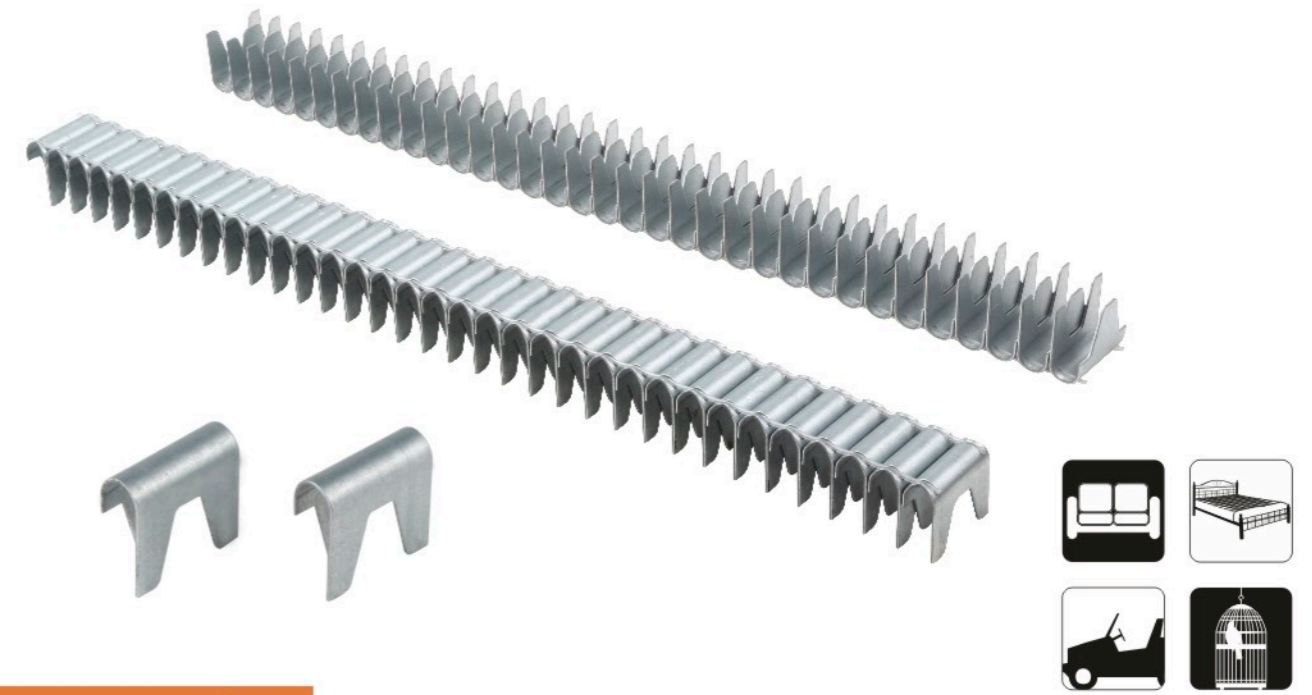
Clinch Clip

Clinch Clip



M85 Series

Item No.	Crown	Inside Width	Height
CL-34	22mm	6.0mm	17.2mm
CL-36	22mm	6.5mm	18.2mm
CL-75	19mm	6.2mm	16.5mm
CL-76	19mm	6.6mm	18.5mm



M88 Series

Item No.	Crown	Inside Width	Height
CL-38	22mm	8.8mm	21.5mm
M88 in bulk	22mm	6.8mm	19.3mm



M87 Series

Item No.	Crown	Inside Width	Height
CL-33	11mm	10.0mm	13.0mm
CL-35	11mm	10.0mm	15.0mm
CL-37	11mm	10.0mm	17.0mm
CL-39	11mm	10.0mm	19.0mm

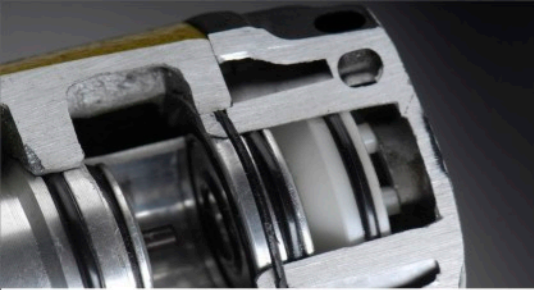
- Application:
1. Fence fixing
 2. Gabion fixing
 3. Metal cage making
 4. Bag Liner Closure
 5. Insulation fence mesh.
 6. Cargo Nets
 7. Strong Rope

Clips Pneumatic Tool



Load Capacity: 40-50pcs
 Air Pressure: 5.5-8.1kg/cm²
 Fitting Tube: 6-8mm

Pneumatic tool Item No.: M45, M46, M47, M48, M65, M66, M85, M87, M88

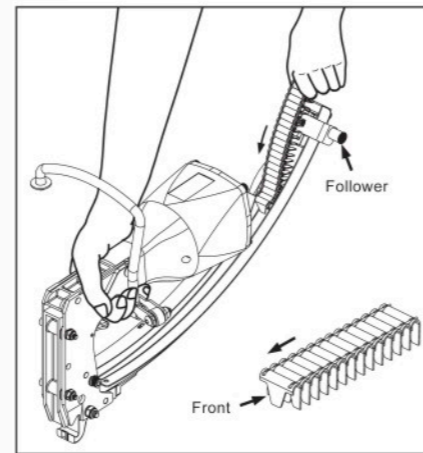


Pneumatic Tool

C Ring



Clips Pneumatic Tool



Loading Clips



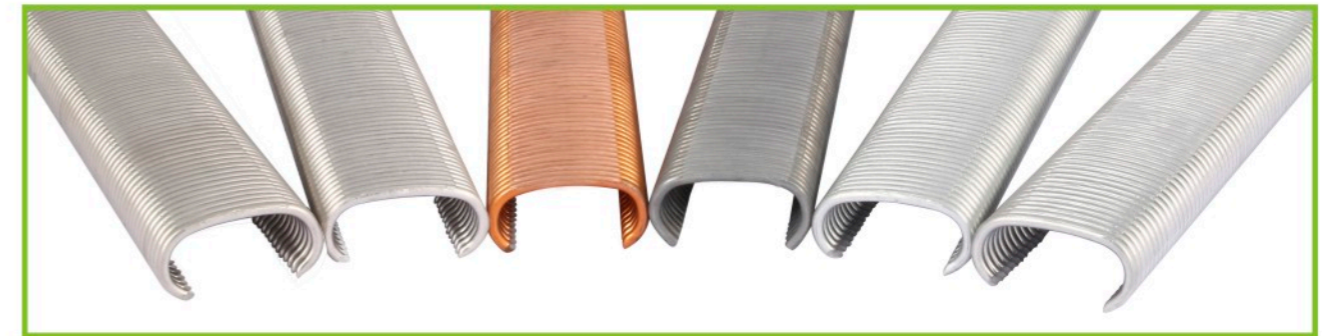
The gusset plate not only useful to cornelthe structure but good to absorb the shock.

Be made of highly 1durable titanium aluminum alloy,light in weight, with high impact resistance and abrasion resistance to protect it from rusting and heavy metal pollution.

Divided flow exhaust port enhance structural and anti-fall.

C-rings are made of good quality galvanized material , adhered with Hot Melt Adhesive to protect the staples from shedding and make it convenient to be used.

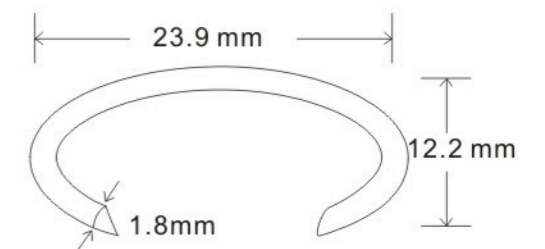
Application: Pocket spring mattress manufacture,Car seat manufacture ,Pet cage manufacture ,Spring sofa manufacture etc.



SC-6

Measurement			Closure Size	Tools Item No.
Crown	Height	Diameter	4.8mm	C-7C
23.9mm	12.2mm	1.8mm	7.8mm	C-7E

C ring tool



Weight: 1.70kg
Capacity: 100pcs
Air pressure: 4-7kg/cm²
Fitting tube: 6mm



C Ring

C Ring

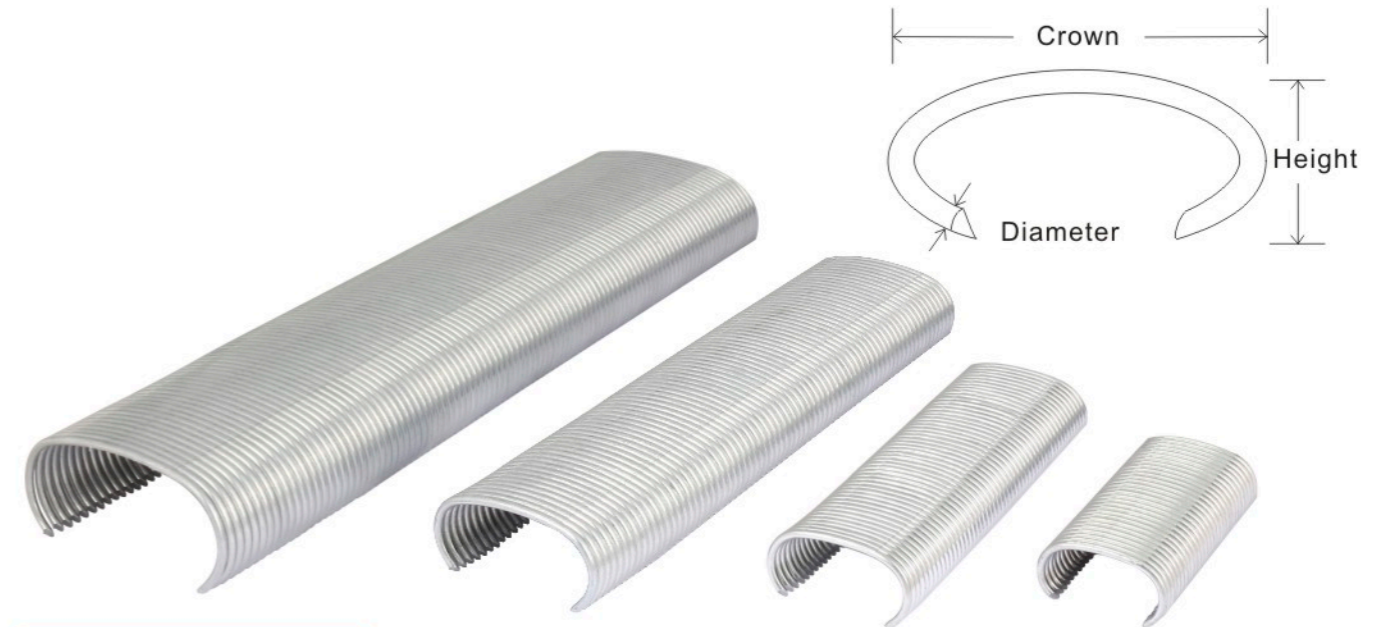


SC-660

Measurement			Closure Size	Tool Item No.
Crown	Height	Diameter		
16.7mm	8.7mm	1.6mm	3.2mm	C-760

C ring tool C-760

Weight: 1.70kg
 Capacity: 100pcs
 Air pressure: 4-7kg/cm²
 Fitting tube: 6mm



C1 C2 C3 C7

Measurement			Closure Size (Min-Max)	Tools Item No.
Crown	Height	Diameter		
63.0mm	27.5mm	2.0mm	20.0mm-30.0mm	C2
43.0mm	20.0mm	2.0mm	15.0mm - 20.0mm	C1
32.0mm	15.9mm	1.8mm	10.0mm - 11.0mm	C3
27.0mm	14.5mm	1.8mm	9.0mm - 10.0mm	C7



Pneumatic Tool: C1, C2, C3, C7

Application:
 With C ring to fasten coir mat,
 coconut mat on mattress.





C Ring

Hog Ring



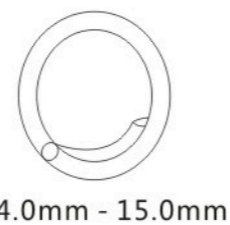
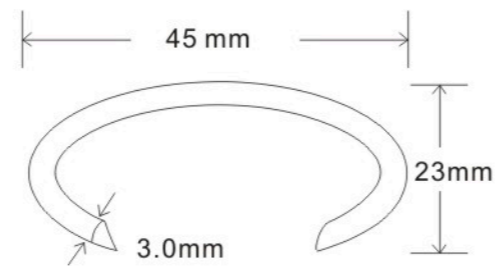
AC50

Measurement			Closure Size (Min-Max)	Tools Item No.
Crown	Height	Diameter		
45.0mm	23.0mm	3.0mm	14.0mm - 15.0mm	AC50

Hog rings are made of good quality galvanized material, adhered with high quality scotch tape to protect the staples from shedding and the moderate points can buckle more effectively.

Applications: Mattress ticking to innerspring, Bag closure, Bait bags, Fence tensioning wire, Fence fixing, Stringing lights, Component assembly etc.

AC50 Tool



Loading capacity: 85pcs
Air pressure: 7~8kg/cm²
Fitting tube: 6mm
N.W.: 5.2kg/pc

Application:
1. Gabion net production
2. Industry network production
3. Iron cages production

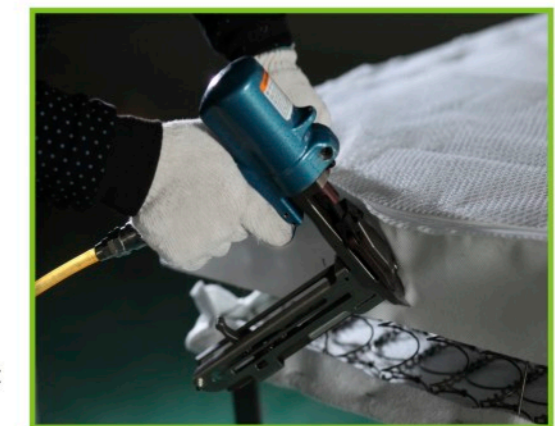
Item No.	Diameter	Crown	Height
HR-22	1.8mm	22mm	11.0mm
	1.8mm	22mm	12.0mm
	1.6mm	21.7mm	9.5mm
	1.6mm	21.7mm	11.5mm
HR-25	2.0mm	25.0mm	13.0mm

HR-22 Tool



Loading capacity: 50pcs
Air pressure: 4~7kg/cm²
Fitting tube: 6mm

Application:
Connecting mattress-net with mattress ticking.



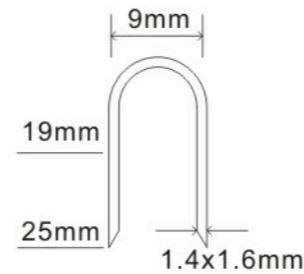
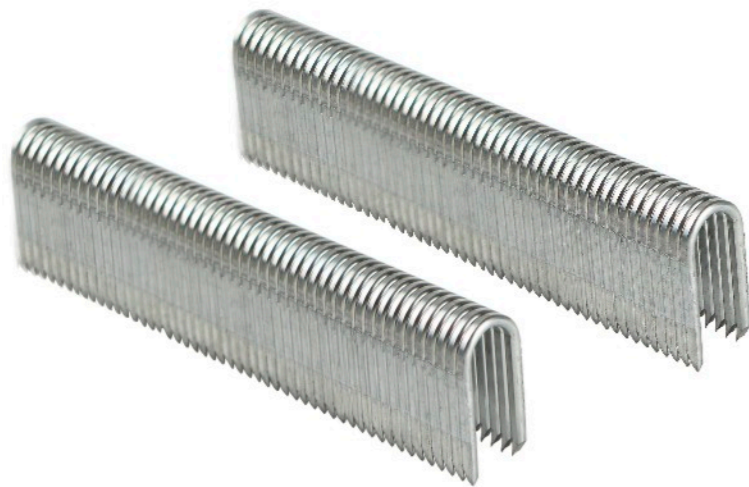


U Crown Staple

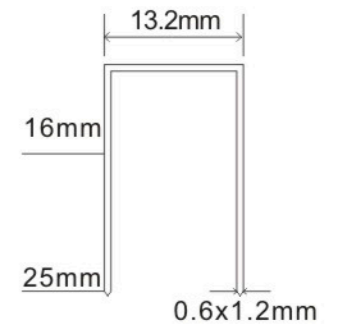
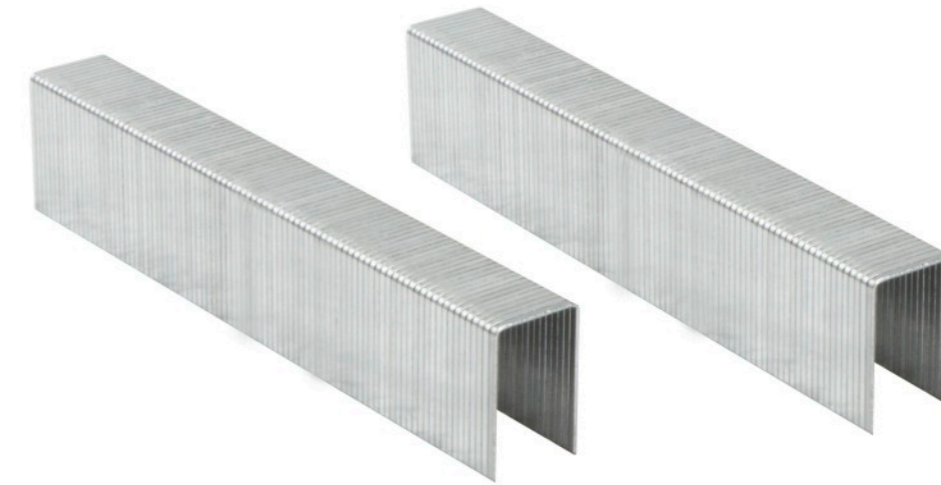
P88 Staple



TRD-619 staples are made of good quality galvanized material, the surface coating can prevent the staples from getting rust. The sharp point can easily buckle mattress-net and the arched sofa spring on the wooden frame.



With rigid quality control and strict selection of the materials to make sure the surface smooth and bright
Application: Buckling felt pad with the coir mat.



TRD-619

Crown	Width	Thickness	Height
9.0mm	1.6mm	1.4mm	19-25mm

P88(12J)

Series	Crown	Width	Thickness	Height
P88 staple	13.2mm	1.2mm	0.6mm	16-25mm

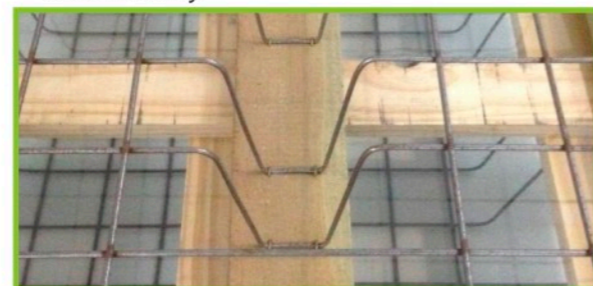
AU-19 Tool



Capacity: 120pcs
Air Pressure: 4-7kg/cm²
Fitting tube: 6mm

Features:

- Clinching staples into hard wood
- Used on the bedding and sofa industry



P88 Tool



Capacity: 200pcs
Air Pressure: 4-7kg/cm²
Fitting tube: 6mm

Features:

- Perfect for clinching the coir mat with lining cloths
- Used on the bedding industry

