

# PRODUCT SPECIFICATION

**Model No.: GS4011A/CX-X**

## Descriptions & Features:

- 0.4Inch (10.16mm) digit height, Single Digit Alphanumeric SMD Display
- Case mold type.
- RoHS compliant.
- Low current operation
- Low power consumption.
- Easy mounting on P.C. board or socket.



| CUSTOMER APPROVED SIGNATURES | APPROVED BY | CHECKED BY | PREPARED BY |
|------------------------------|-------------|------------|-------------|
|                              |             |            |             |

**GUANGCAI DISPLAY TECHNOLOGY CO.,LTD**

**ADD:** No. 167, Shengshan Road, Yuecheng District, Shaoxing City, Zhejiang Province

**Tel:** +86-575-88626657

**Fax:** +86-575-88649799

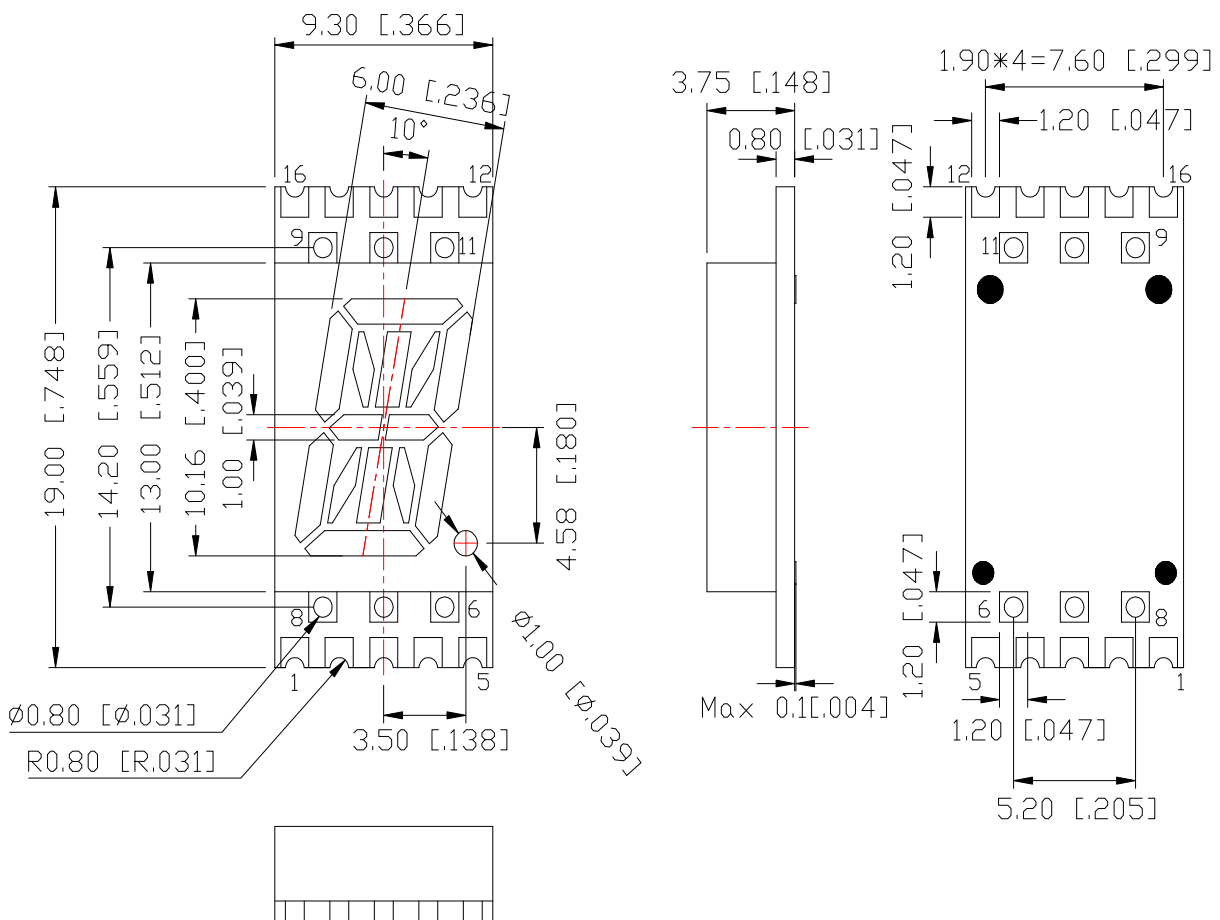
**E-mail:** Sales@smddisplay.com (General)

Model No.: GS4011A/CX-X

■ -X: REF Surface

| Color \ Number    | B       | G      |
|-------------------|---------|--------|
| REF Surface Color | ○ Black | ○ Gray |

■ Mechanical Dimensions

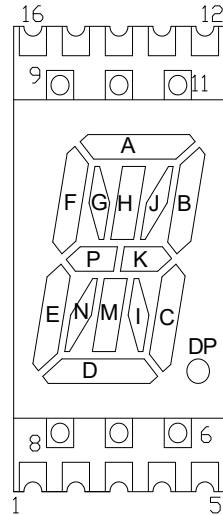


Notes:

1. All dimensions are in millimeters (inches)
2. Dimension in millimeter [inch], tolerance is  $\pm 0.25$  [0.010] and angle is  $\pm 1^\circ$  unless otherwise noted.
3. Bending  $\leq$  Length\*1%.
4. The specifications, characteristics and technical data described in the datasheet are subject to change without prior notice.
5. The drawing is different from the actual one, please refer to the sample.

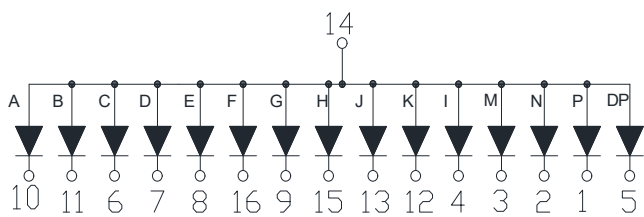
**Model No.: GS4011A/CX-X**

**■ All Light On Segments Feature & Pad Position**



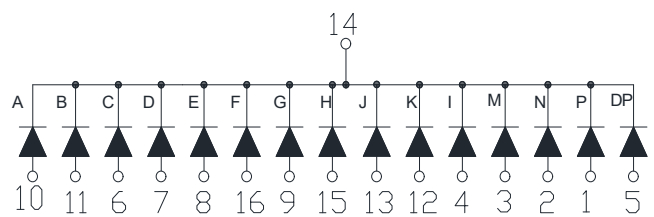
**■ Internal Circuit Diagrams**

GS4011Ax



Common Anode

GS4011Cx



Common Cathode

**Model No.: GS4011A/CX-X**

■ **Absolute maximum ratings**

(Ta=25°C)

| Parameter             | Symbol | Test Condition  | Value |     | Unit |
|-----------------------|--------|-----------------|-------|-----|------|
|                       |        |                 | Min   | Max |      |
| Reverse Voltage       | VR     | IR=30           | 5     | —   | V    |
| Forward Current       | IF     | —               | —     | 30  | mA   |
| Power Dissipation     | Pd     | —               | —     | 100 | mW   |
| Pulse Current         | Ipeak  | Duty=0.1mS,1KHz | —     | 150 | mA   |
| Operating Temperature | Topr   | —               | -40   | +85 | °C   |
| Storage Temperature   | Tstr   | —               | -40   | +85 | °C   |

■ **Electrical-Optical Characteristics**

● **Color Code & Chip Characteristics:(Test Condition:IF=10mA)**

(Ta=25°C)

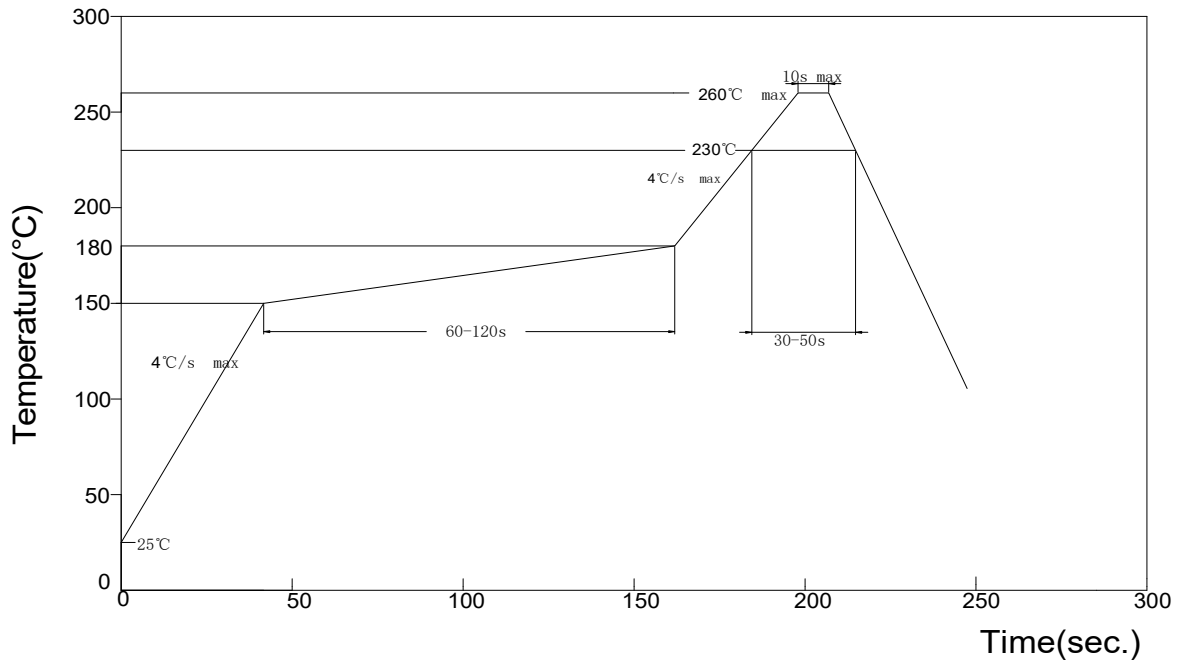
| Emitting Color                                    | Dice Material | Peak Wave Length( $\lambda_p$ ) | Dominant Wavelength( $\lambda_d$ ) | Spectral Line halfwidth ( $\Delta\lambda_{1/2}$ ) | Forward Voltage(VF) Unit:V |      | Luminous Intensity (Iv) Unit:mcd |            |
|---|---------------|---------------------------------|------------------------------------|---|----------------------------|------|----------------------------------|------------|
|   |               |                                 |                                    |   | Typ                        | Max  |                                  |            |
| <b>Ultra brightness</b>                           |               |                                 |                                    |   |                            |      |                                  |            |
| R   | Red           | AlGaInP                         | 660nm                              | 645nm   | 20nm                       | 2.00 | 2.50                             | 20~50      |
| SR  | Orange        | AlGaInP                         | 632nm                              | 625nm   | 20nm                       | 2.00 | 2.50                             | 40~85      |
| A   | Amber         | AlGaInP                         | 612nm                              | 605nm   | 20nm                       | 2.00 | 2.50                             | 30~105     |
| Y   | Yellow        | AlGaInP                         | 592nm                              | 590nm   | 20nm                       | 2.00 | 2.50                             | 30~135     |
| G   | Yellow Green  | AlGaInP                         | 572nm                              | 570nm   | 30nm                       | 2.00 | 2.50                             | 20~60      |
| PG  | Pure Green    | InGaN                           | *                                  | 520nm   | 36nm                       | 3.00 | 3.80                             | 350~450    |
| B   | Blue          | InGaN/GaN                       | *                                  | 460nm   | 30nm                       | 3.00 | 3.80                             | 120~180    |
| W   | White         | InGaN/GaN                       | X=0.29,Y=0.30                      |   | CCT:9500K                  | 3.00 | 3.80                             | 60~120~180 |
| Segment-to-Segment Luminous Intensity ratio(Iv-M) |               |                                 |                                    |   | 1.5:1                      |      |                                  |            |

Note:

1.Luminous Intensity is based on the Guangcai standards.

**Model No.: GS4011A/CX-X**

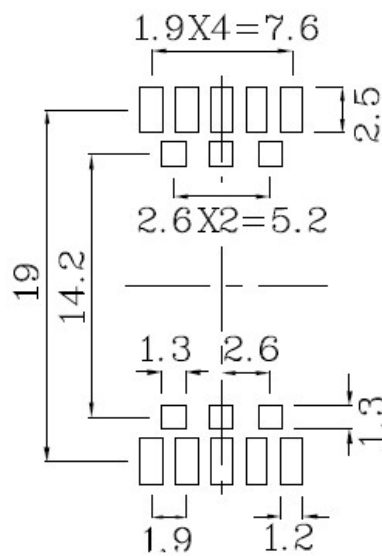
**IR Reflow Temperature / Time :**



**NOTES:**

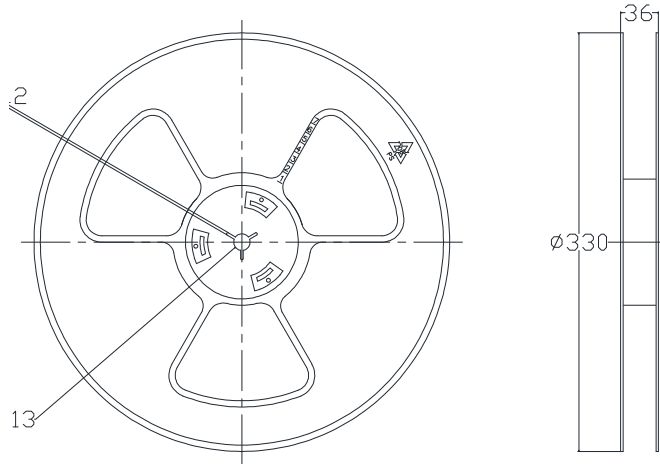
1. We recommend the reflow temperature 245°C (+/-5°C). The maximum soldering temperature should be limited to 260°C.
2. Don't cause stress to the epoxy resin while it is exposed to high temperature.
3. Number of reflow process shall be 2 times or less.

**Soldering Pad Size**

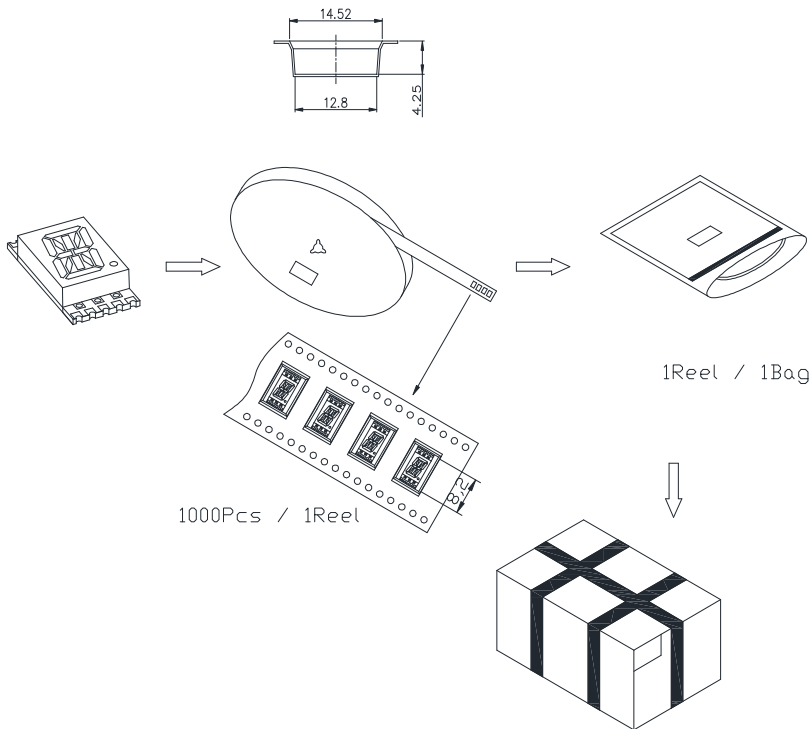
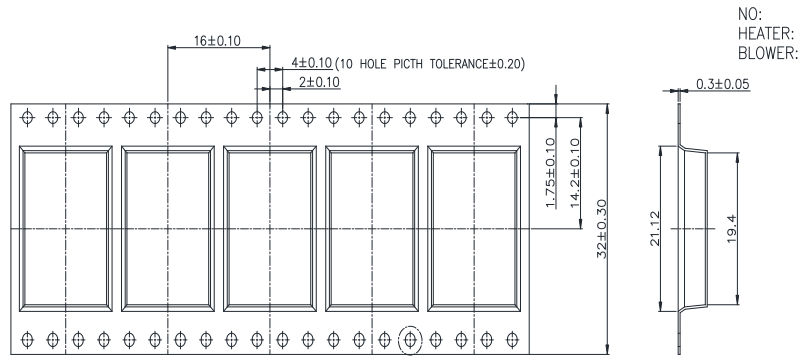


Model No.: GS4011A/CX-X

■ Reel Dimensions



■ Packing & Labe Specifications



Note: The specifications are subject to change without notice. Please contact us for updated information.