

# PRODUCT SPECIFICATION

Model No.: GL304XXXX

## Descriptions & Features:

- RoHs compliant.
- Low power consumption.
- Device Outline:  $\Phi$  3mm round type.
- Lens Type: Red Transparent.



CUSTOMER APPROVED SIGNATURES	APPROVED BY	CHECKED BY	PREPARED BY

**GUANGCAI DISPLAY TECHNOLOGY CO.,LTD**

**ADD:** No. 167, Shengshan Road, Yuecheng District, Shaoxing City, Zhejiang Province

**Tel:** +86-575-88626657

**Fax:** +86-575-88649799

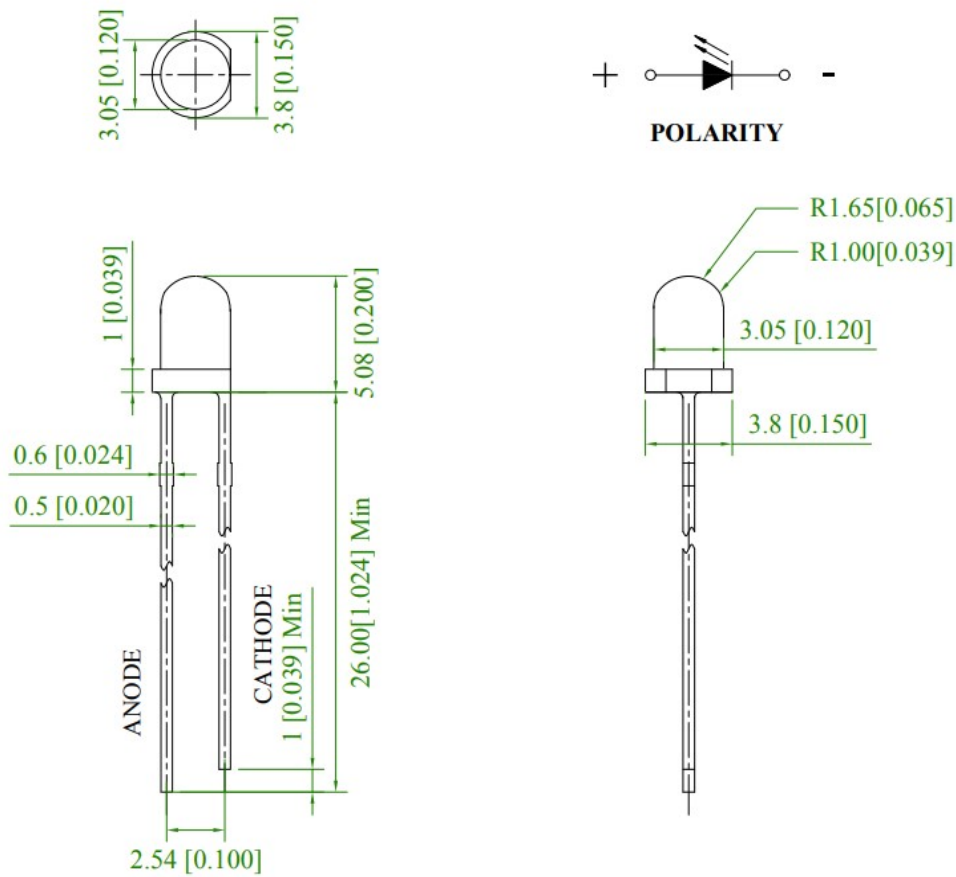
**E-mail:** Sales@smddisplay.com (General)

**Model No.: GL304XXXX**

**■ Features**

- 1.Low power consumption.
- 2.High efficiency.
- 3.General purpose leads.
- 4.High intensity.
- 5.RoHs compliant.

**■ Mechanical Dimensions**



**Notes:**

1. All dimensions are millimeters (inches)
2. Tolerance is  $\pm 0.25\text{mm}$  (.010") unless otherwise noted.
3. The specifications, characteristics and technical data described in the datasheet are subject to change without prior notice.
4. The drawing is different from the actual one, please refer to the sample.

Model No.: GL304XXXX

■ Absolute maximum ratings

(Ta=25°C)

Parameter	Symbol	Test Condition	Value		Unit
			Min	Max	
Reverse Voltage	VR	IR=30	5	—	V
Forward Current	IF	—	—	30	mA
Power Dissipation	Pd	—	—	100	mW
Pulse Current	Ipeak	Duty=0.1mS,1KHz	—	150	mA
Operating Temperature	Topr	—	-40	+85	°C
Storage Temperature	Tstr	—	-40	+85	°C

■ Electrical-Optical Characteristics

● Color Code & Chip Characteristics:(Test Condition:IF=20mA)

(Ta=25°C)

Emitting Color	Dice Material	Viewing Angle (Deg)	Peak Wave Length( $\lambda_p$ )	Dominant Wavelength( $\lambda_d$ )	Spectral Line halfwidth ( $\Delta\lambda_{1/2}$ )	Forward Voltage(VF) Unit:V		Luminous Intensity (Iv) Unit:mcd	
						Typ	Max		
<b>Ultra brightness</b>									
R	Red	AlGaInP	35	660nm	645nm	20nm	2.00	2.50	80~220
SR	Orange	AlGaInP	35	632nm	625nm	20nm	2.00	2.50	160~320
A	Amber	AlGaInP	35	612nm	605nm	20nm	2.00	2.50	120~405
Y	Yellow	AlGaInP	35	592nm	590nm	20nm	2.00	2.50	120~515
G	Yellow Green	AlGaInP	35	572nm	570nm	30nm	2.00	2.50	80~240
PG	Pure Green	InGaN	35	*	520nm	36nm	3.00	3.80	1400~1800
B	Blue	InGaN/GaN	35	*	460nm	30nm	3.00	3.80	480~720
W	White	InGaN/GaN	35	X=0.29,Y=0.30		CCT:9500K	3.00	3.80	240~480~720

Note:

1.Luminous Intensity is based on the Guangcai standards.