

PRODUCT SPECIFICATION

Model No.: GD2821A/BX-X

| Descriptions & Features: |
|---|
| <ul style="list-style-type: none"> ■ 0.28 Inch (7.00mm) digit height Double Digit Display ■ Case mold type. ■ RoHS compliant. ■ Low current operation ■ Low power consumption. ■ Easy mounting on P.C. board or socket. |



| CUSTOMER APPROVED SIGNATURES | APPROVED BY | CHECKED BY | PREPARED BY |
|------------------------------|-------------|------------|-------------|
| | | | |

GUANGCAI DISPLAY TECHNOLOGY CO.,LTD

ADD: No. 167, Shengshan Road, Yuecheng District, Shaoxing City, Zhejiang Province

Tel: +86-575-88626657

Fax: +86-575-88649799

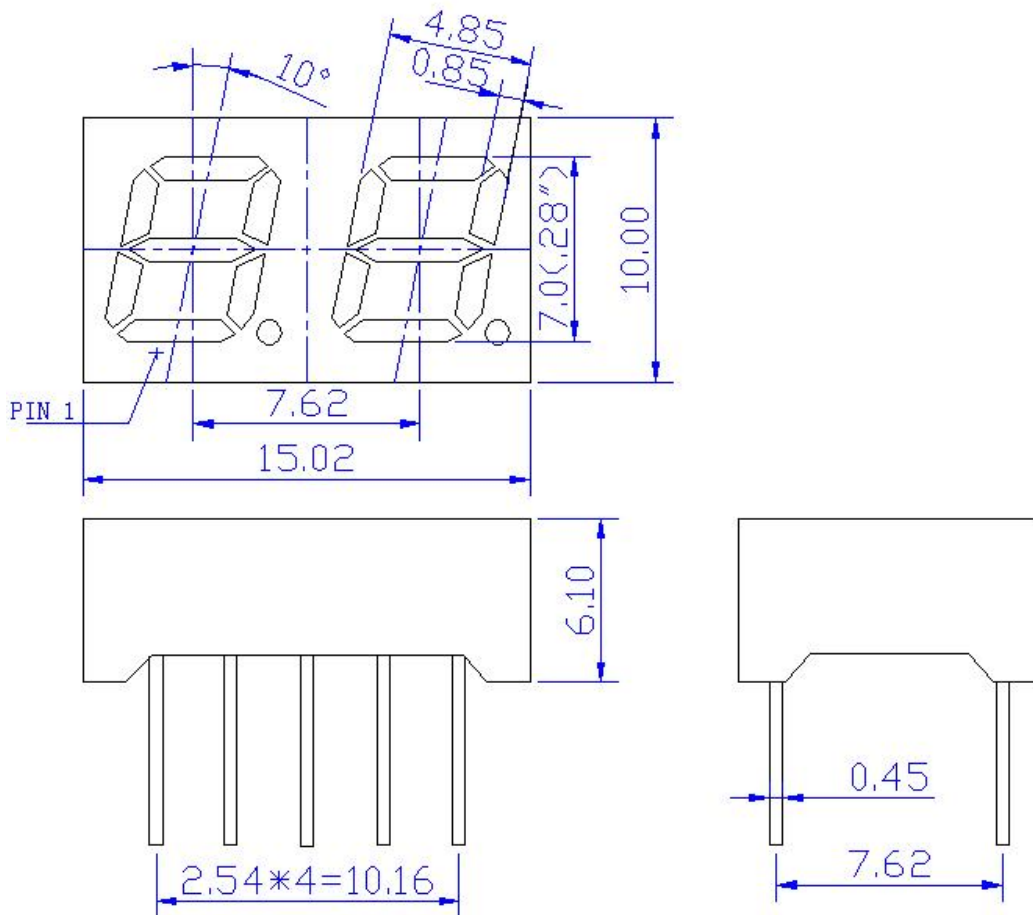
E-mail: Sales@smddisplay.com (General)

Model No.: GD2821A/BX-X

■ -X: REF Surface

| Color | Numbe | 1 | 2 |
|-------------------|-------|-----------------------------|----------------------------|
| REF Surface Color | | <input type="radio"/> Black | <input type="radio"/> Gray |

■ Mechanical Dimensions

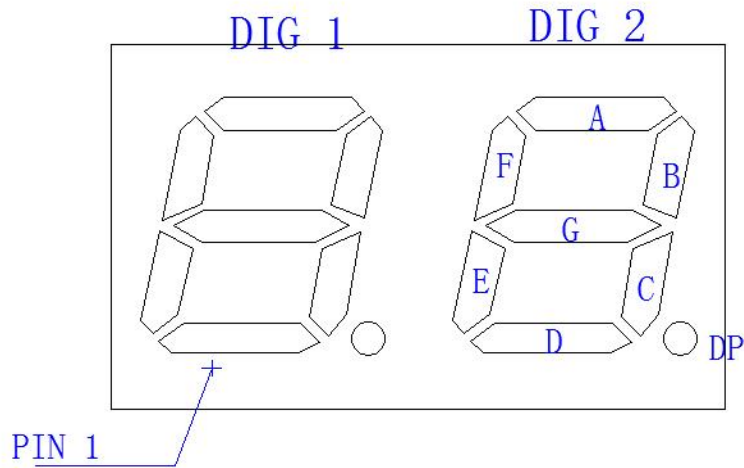


Notes:

1. All pins are $\Phi 0.45[.019]$ mm
2. Dimension in millimeter [inch], tolerance is $\pm 0.25 [.010]$ and angle is $\pm 1^\circ$ unless otherwise noted.
3. Bending \leq Length*1%.
4. The specifications, characteristics and technical data described in the datasheet are subject to change without prior notice.
5. The drawing is different from the actual one, please refer to the sample.

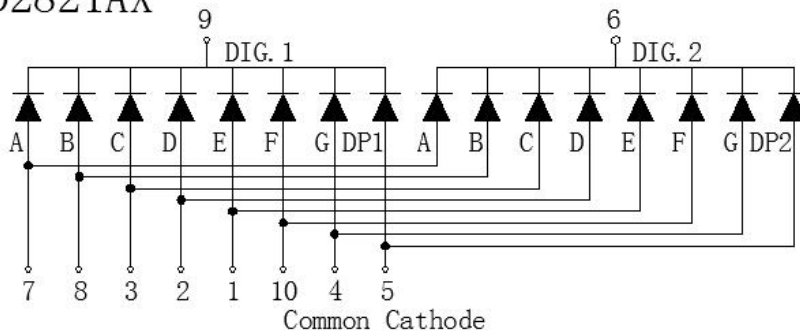
Model No.: GD2821A/BX-X

■ All Light On Segments Feature & Pin Position

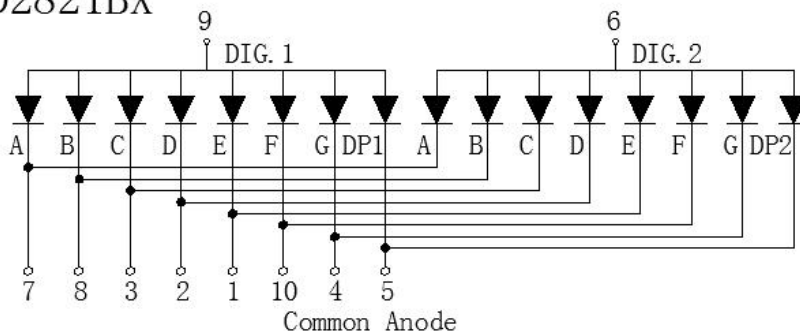


■ Internal Circuit Diagrams

GD2821AX



GD2821BX



Model No.: GD2821A/BX-X

■ Absolute maximum ratings

(Ta=25℃)

| Parameter | Symbol | Test Condition | Value | | Unit |
|-----------------------|--------|-----------------|-------|-----|------|
| | | | Min | Max | |
| Reverse Voltage | VR | IR=30 | 5 | — | V |
| Forward Current | IF | — | — | 30 | mA |
| Power Dissipation | Pd | — | — | 100 | mW |
| Pulse Current | Ipeak | Duty=0.1mS,1KHz | — | 150 | mA |
| Operating Temperature | Topr | — | -40 | +85 | ℃ |
| Storage Temperature | Tstr | — | -40 | +85 | ℃ |

■ Electrical-Optical Characteristics

● Color Code & Chip Characteristics:(Test Condition:IF=10mA)

(Ta=25℃)

| Emitting Color | Dice Material | Peak Wave Length(λ_p) | Dominant Wavelength(λ_d) | Spectral Line halfwidth ($\Delta\lambda_{1/2}$) | Forward Voltage(VF) Unit:V | | Luminous Intensity (Iv) Unit:mcd | |
|---|---------------|---------------------------------|------------------------------------|---|----------------------------|------|----------------------------------|------------|
| | | | | | Typ | Max | | |
| Ultra brightness | | | | | | | | |
| R | Red | AlGaInP | 660nm | 645nm | 20nm | 2.00 | 2.50 | 20~50 |
| SR | Orange | AlGaInP | 632nm | 625nm | 20nm | 2.00 | 2.50 | 40~85 |
| A | Amber | AlGaInP | 612nm | 605nm | 20nm | 2.00 | 2.50 | 30~105 |
| Y | Yellow | AlGaInP | 592nm | 590nm | 20nm | 2.00 | 2.50 | 30~135 |
| G | Yellow Green | AlGaInP | 572nm | 570nm | 30nm | 2.00 | 2.50 | 20~60 |
| PG | Pure Green | InGaN | * | 520nm | 36nm | 3.00 | 3.80 | 350~450 |
| B | Blue | InGaN/GaN | * | 460nm | 30nm | 3.00 | 3.80 | 120~180 |
| W | White | InGaN/GaN | X=0.29,Y=0.30 | CCT:9500K | | 3.00 | 3.80 | 60~120~180 |
| Segment-to-Segment Luminous Intensity ratio(Iv-M) | | | | | 1.5:1 | | | |

Note:

1.Luminous Intensity is based on the Guangcai standards.

Model No.: GD2821A/BX-X

■ Packing Diagram




GUANGCAI

LED

PN:GDXXXXXX-X
 Qty: XXXXX PCS
 Date:XXXX/XX/XX
 GW: XX.XXKG
 NW: XX.XXKG

XXXXXXXXXX

RoHS ATTENTION

OUTSIDE LABEL