



渣浆泵

SLURRY PUMP



河北德林机械有限公司

HEBEI DELIN MACHINERY CO.,LTD.

## 公司简介

河北德林机械有限公司是中国最大的渣浆泵专业生产制造厂之一。公司占地4万多平方米，建筑面积2.2万多平方米。主要为矿山、冶金、市政、电力、煤炭、疏浚、火电烟气脱硫、石油、化工、建材等行业提供配套用泵。产品行销全国各省、市、自治区以外，还远销世界50多个国家和地区。

公司采用先进的计算机辅助设计软件进行产品和工艺设计，设计手段和设计水平达到国际先进水平。公司年产整泵10000台，高铬合金铸件6000吨。主营产品为DH(R)、DM(R)、DV(R)、DF(DHF)、DZ、DSC(R)、DG等型渣浆泵。口径范围为25-1200mm，流量为5-30000m<sup>3</sup>/h，扬程为5-120m。公司产品的材质包括高铬耐磨白口铸铁、超高铬过共晶高铬耐磨白口铸铁、低碳高铬耐磨耐腐蚀合金、碳钢、不锈钢、双相不锈钢、球墨铸铁、灰铸铁等，还可提供模压天然橡胶、合成橡胶材质的零件和整机。

公司生产的渣浆泵在国际市场享有盛誉，已为美国、英国、德国、加拿大、俄罗斯、越南、巴基斯坦、哈萨克斯坦、印度尼西亚、马来西亚、伊朗、巴西、智利、阿根廷、保加利亚、赞比亚等国家的工程提供产品逾10000台套。

公司严格执行全面质量管理并已通过ISO9001:2008 GB/T19001-2008质量管理体系认证。公司秉承“品德团队，品质产品，品牌服务”的企业宗旨，“质量第一，客户至上”的原则，为客户提供优质的产品和满意的服务。

## Company Profile

Hebei Delin Machinery Co.,Ltd. is one of the biggest pump companies specialised in manufacturing slurry pumps in China. It covers an areas of more than 40,000m<sup>2</sup> in land and over 22,000 m<sup>2</sup> in building. The products are mainly used for mining, metallurgical, city planning, power, coal, river course,FGD,petroleum, chemical, building material,etc. Besides domestic market, our products are well sold to over 50 countries and regions.

The company uses advanced computer assistant engineering software to design products and technology, which makes our method and level of design reach international advanced level. Annual productive output of our products is 10000 sets pumps and 6000 tons on high chrome alloy castings.Main products are Type DH(R), DM(R), DZ, DF(DHF), DV(R), DSC(R), DG etc. Diameter range: 25-1200mm, Capacity: 5-30000 m<sup>3</sup>/h, Head: 5-120m. The company can produce different materials including High Chromium White Iron, Super High Chromium Hypereutectic White Iron, Low Carbon High Chromium Alloy, Carbon Steel, Stainless Steel, Duplex Stainless Steel, Ductile Iron, Grey Iron,etc. Also can provide natural rubber, elastomer rubber parts and pumps.

Our slurry pumps have high reputation in the international market. Till now, we have provided more than 10000 sets of pumps for the projects in U.S.A., U.K., Germany, Canada, Russia,Vietnam,Pakistan,Kazakstan,Indonesia,Malaysia,Iran,Brazil,Chile,Argentina, Bulgaria, Zambia, etc.

The company implements 'Comprehensive Quality Control' strictly and has been approved ISO9001:2008 GB/T19001-2008 Quality Management System Certificate. The company tenet is 'Moral Team, Excellent Product, Brand Service' and a principle 'Quality is No.1, Customers are Paramountcy' in order to provide clients an excellent product and satisfied service.

## 产品应用 Product Application

行业 Industry 产品 Product	电力 Power	冶金 Metallurgical	矿山 Mining	市政 City planning	煤炭 Coal	化工 Chemical
DH(R)系列渣浆泵 DH(R) Type Slurry Pump	★	★	★	★	★	★
DM(R)系列渣浆泵 DM(R) Type Slurry Pump	★	★	★	★	★	★
DG 系列砂砾泵 DG Type Gravel Pump				★	★	
DF(DHF)系列泡沫泵 DF(DHF) Type Froth Pump			★	★	★	★
DV(R)系列液下泵 DV(R) Type Sump Pump	★	★	★		★	★

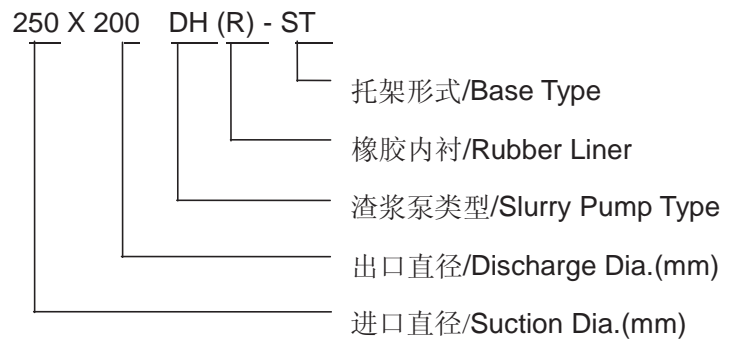
## 产品概述 Product Introduction

### DH(R)系列渣浆泵

### DH(R) Type Slurry Pump



口径/Diameter : 25 ~ 450mm  
流量/Capacity : 7 ~ 5000m<sup>3</sup>/h  
扬程/Head : 5 ~ 59m (单级/ Single Stage)



注：金属内衬无标识

Note: Metal Liner is no shown

**产品特点：**双泵壳结构。高效、耐磨、性能稳定、零件互换性强，内衬和叶轮材料可采用耐磨金属或橡胶，泵出口方向可按 45° 间隔旋转八个不同角度安装使用，可多级串联，可皮带传动、直联传动。轴封可采用填料密封、副叶轮密封或机械密封。泵的旋转方向从驱动端看为顺时针旋转。

**应用领域：**适用输送冶金、矿山、煤炭、电力等行业的强磨蚀、高浓度渣浆，如黑色有色矿山的原矿、中矿、精矿、尾矿等。

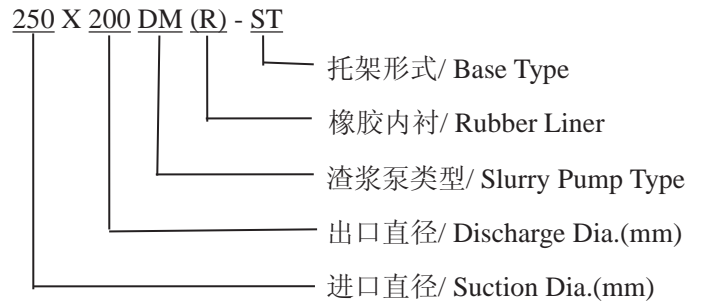
**Feature of Product:** Use of double casing. It has the character of high efficiency, wear-resistance, stable performance and excellent changeable parts. The material of liner and impeller is adopt to wear-resistant metal or rubber, discharge port can be positioned at 8 different positions at an interval of 45°, the pumps may be installed in multistage series, may be driven by belt or direct connection. The seal of shaft may be adoptable of gland seal, expeller seal or mechanical seal. The direction of rotation from the drive end is clockwise.

**Application:** The pumps are suitable for delivering abrasive, high density slurries in the metallurgical, mining, coal, and power industrial departments, for example raw ore, middings, concentrates, gangues etc.

## DM(R)系列渣浆泵 DM(R) Type Slurry Pump



口径/Diameter : 25 ~ 650mm  
流量/Capacity : 2 ~ 9500m<sup>3</sup>/h  
扬程/Head : 10 ~ 55m (单级/ Single Stage)



注：金属内衬无标识

Note: Metal Liner is no shown

**产品特点：**双泵壳结构。高效、耐磨、性能稳定、零件互换性强，内衬和叶轮材料可采用耐磨金属或橡胶，泵出口方向可按 45° 间隔旋转八个不同角度安装使用，可多级串联，可皮带传动、直联传动。轴封可采用填料密封、副叶轮密封或机械密封。泵的旋转方向从驱动端看为顺时针旋转。

**应用领域：**适用输送冶金、矿山、煤炭、电力等行业的中、低扬程工矿应用，如矿山、冶金、电力、钢厂、化工行业浆体输送。

**Feature of Product:** Use of double casing. It has the character of high efficiency, wear-resistance, stable performance and excellent changeable parts. The material of liner and impeller is adopt to wear-resistant metal or rubber, discharge port can be positioned at 8 different positions at an interval of 45°, the pumps may be installed in multistage series, may be driven by belt or direct connection. The seal of shaft may be adoptable of gland seal, expeller seal or mechanical seal. The direction of rotation from the drive end is clockwise.

**Application:** The pumps are suitable for delivering low density slurries for metallurgical, mining, coal and power departments, for example slurries delivering in mining, metallurgical, electric power, steel mill and chemical industrial departments.

## DG 系列砂砾泵 DG Type Gravel Pump



口径/Diameter : 100 ~ 550mm  
流量/Capacity : 60 ~ 1060m<sup>3</sup>/h  
扬程/Head : 10 ~ 110m

DG 400 X 350 (H) - TU



**产品特点:** 该系列泵为单级单吸悬臂卧式结构，根据工作压力的大小分为两种结构，即单泵壳与双泵壳；按传动方式可分为两种典型结构，即托架式和泵减速机箱体合一式。自带托架式润滑方式有两种，为脂润滑和稀油润滑。泵的旋转方向从驱动端看为顺时针旋转。

**应用领域:** 江河疏浚、水库清淤、沿海吹填造地、深海采矿、尾矿采选等。

**Feature of Product:** This construction of pump is single stage, single suction and horizontal cantilever construction. According to the pressure of operation, the pumps are classified into single-casing and double-casing pump. According to the drive type, the pumps are classified into base type and type of pump with gear. The lubrication method of base type is grease and oil lubrication. The direction of rotation from the drive end is clockwise.

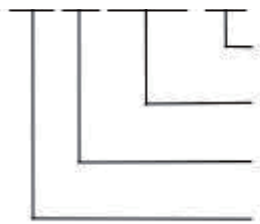
**Application:** The DG dredge pump is used for for river course, reservoir desilting, coastal reclamation stretched, deep-sea mining and Tailings acquisition etc.

## DF(DHF)系列泡沫泵 DF(DHF) Type Froth Pump



口径/Diameter : 25 ~ 650mm  
流量/Capacity : 2 ~ 13860m<sup>3</sup>/h  
扬程/Head : 10 ~ 60m

100 DF (DHF) - RV



托架形式/Base Type

卧式系列号/Horizontal Type Number

渣浆泵类型/Slurry Pump Type

出口直径/Discharge Dia.(mm)

**产品特点：**按结构形式分为立式和卧式两种结构，全部采用双泵壳结构。高效、耐磨、性能稳定、零件互换性强，内衬和叶轮材料可采用耐磨金属或橡胶。立式结构无需密封，料箱可衬胶；卧式结构安装空间小，可输送更大流量和更高扬程的浆体。传动方式可采用直联或皮带传动。泵的旋转方向从驱动端看为顺时针旋转。

**应用领域：**用于浮选工艺流程，是输送含有泡沫类浆体的理想型泵。

**Feature of Product:** According to mode of construction, the pumps are classified into vertical type and horizontal type pumps, use of double casing. It has the character of high efficiency, wear-resistance, stable performance and excellent changeable parts. The material of liner and impeller is wear-resistant metal or rubber. The vertical type pumps do not need seal, the work bin lines with rubber; the horizontal type pumps may delivers the slurries of more flow and higher head with small installation volumes. The pumps may be driven by belt or direct connection. The direction of rotation from the drive end is clockwise.

**Application:** Used for the flotation technology, DHF pump is ideal type pump for delivering froth slurry.

## DV(R)系列液下泵 DV(R) Type Sump Pump

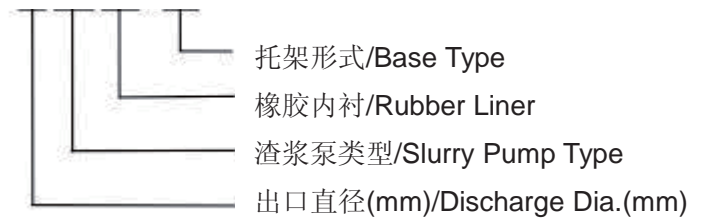


金属结构

橡胶结构

口径/Diameter : 40 ~ 300mm  
流量/Capacity : 12 ~ 1267m<sup>3</sup>/h  
扬程/Head : 4 ~ 40m

40 DV (R) - PV



注：金属内衬无标识

Note: Metal Liner is no shown

**产品特点：**立式悬臂式、单泵壳结构，双吸、半开式叶轮设计，采用高铬合金或橡胶叶轮，可调节叶轮与护板之间的间隙，保证泵的高效运行，无需任何轴封，采用橡胶过流部件，与浆液接触的部件衬胶，适应较强的腐蚀性工况。传动方式可采用直联或皮带传动。泵的旋转方向从驱动端看为顺时针旋转。

**应用领域：**用于输送腐蚀性、粗颗粒、高浓度渣浆。广泛地应用于冶金、矿山、煤炭、电力、建材、环保等部门。

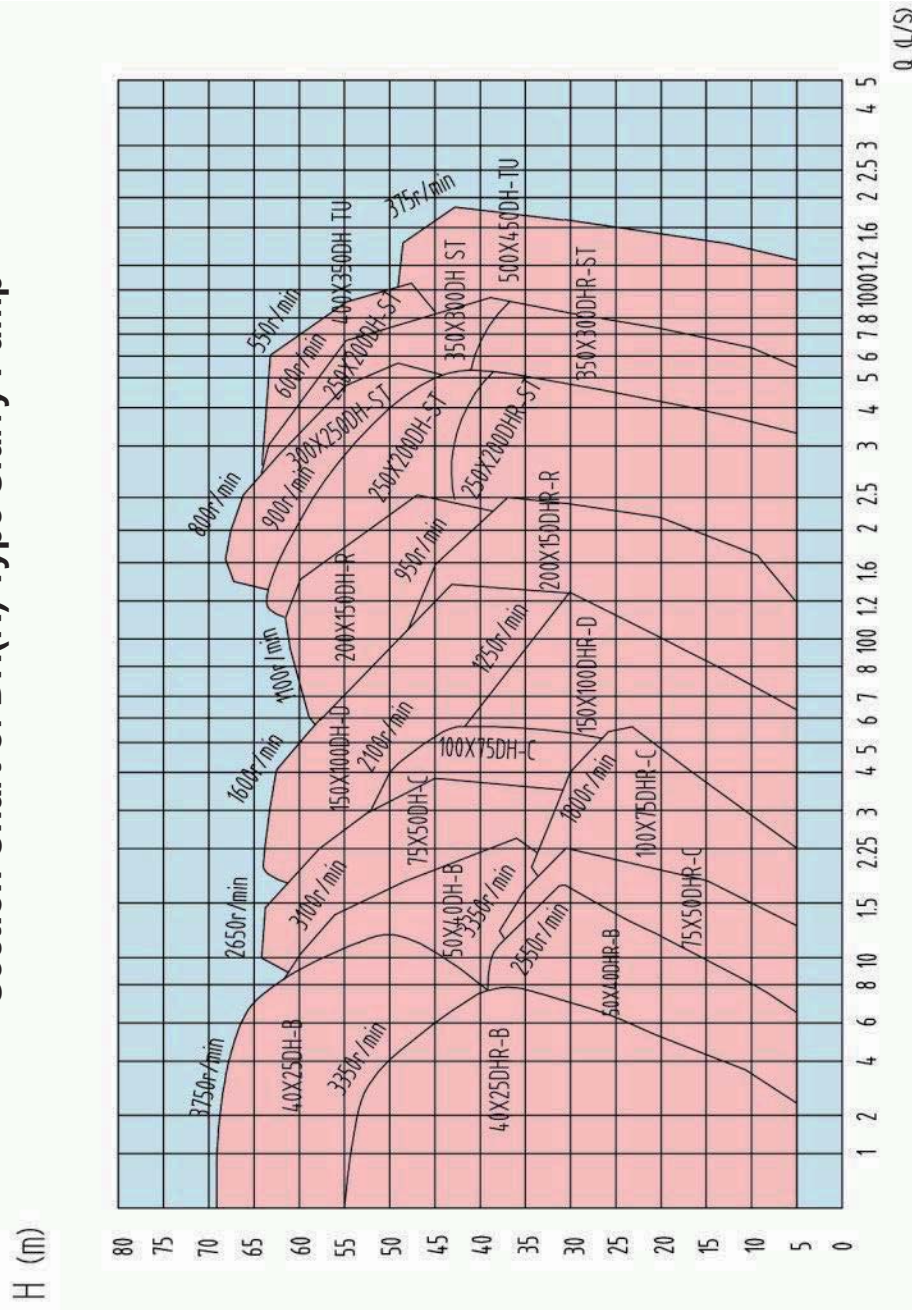
**Feature of Product:** The pumps are designed for vertical cantilever type, single casing, double suction and semi-open impeller, the impeller is made of high-chromium alloy or rubber, the interval may be adjusted between impeller and liner so that assure the high-efficient operation , the pumps have no need of any shaft seal, the wet parts of pumps is made of rubber and the parts contacting with slurry is lined with rubber outer liner, the pumps are suited to deliver abrasive slurries. The pumps may be driven by belt or direct connection. The direction of rotation from the drive end is clockwise.

**Application:** The pumps are designed for delivering abrasive, large particle and high density slurries. The pump are widely used for metallurgy, mining, coal, electric, building and environmental protection industrial departments etc.



## DH(R)系列渣浆泵型谱图

### Section Chart of DH(R) Type Slurry Pump



## DH(R)系列渣浆泵性能参数

### Performance Parameter of DH(R) Type Slurry Pump

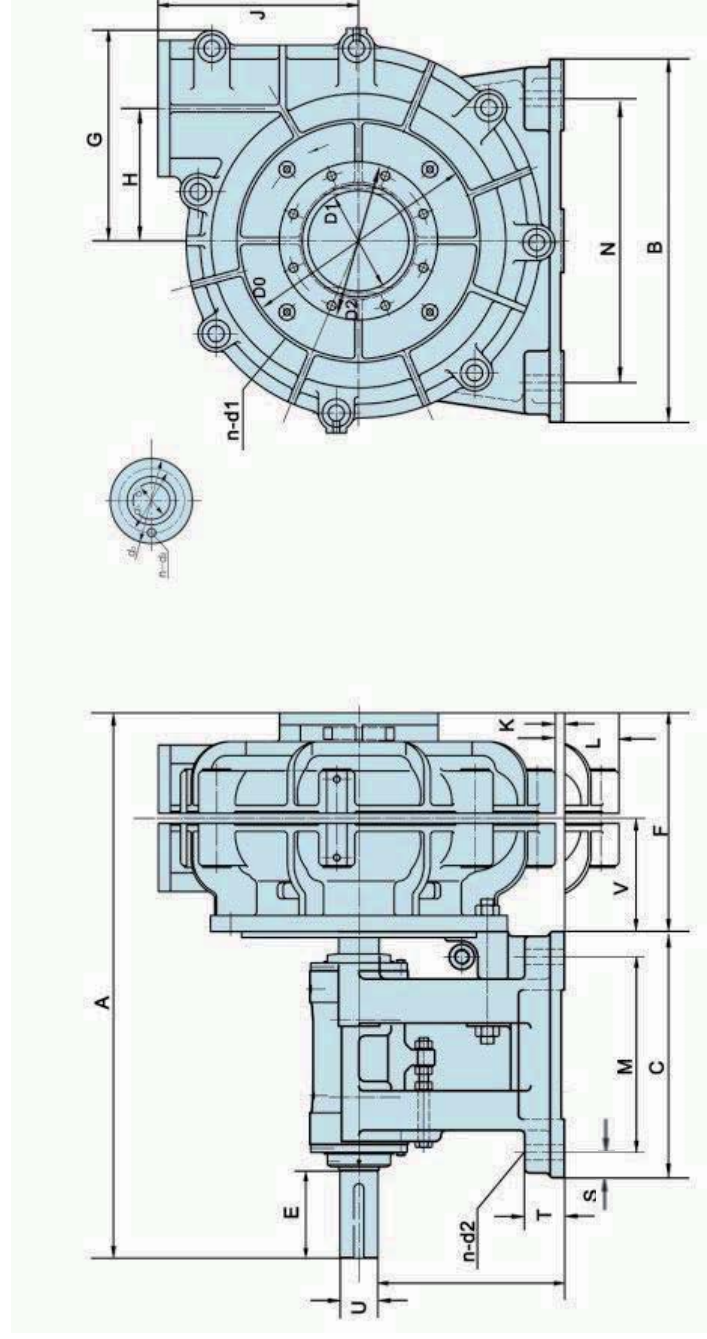
型号 Type	允许配代 最大功率 Allowable Mating Max. Power (kW)	材质 Material		清水性能 Clear Water Performance						叶轮 Impeller	
		护套 Liner	叶轮 Impeller	流量 Capacity (Q)		扬程 Head (H)	转速 Speed (n)	最高效率 Max.Eff.	汽蚀余量 NPSHr	叶片数 No. of Vaness	叶轮直径 Impeller Dia.(mm)
				(m <sup>3</sup> /h)	(l/s)						
40X25DH(R)-B	15	M	M	12.6~28.8	3.5~8	6~68	1200~3800	40	2~4	5	152
		RU	RU	10.8~25.2	3~7	7~52	1400~3400	35		3	
50X40DH(R)-B	15	M	M	32.4~72	9~20	6~58	1200~3200	45	3.5~8	5	184
		RU	RU	25.2~54	7~15	5.5~41	1000~2600	50	2.5~5		178
75X50DH(R)-C	30	M	M	38.6~86.4	11~24	12~64	1300~2700	55	4~6	5	214
		RU	RU	36~75.6	10~21	13~46	1300~2300	60	2~4		213
100X75DH(R)-C	30	M	M	86.4~198	24~55	9~52	1000~2200	71	4~6	5	245
		RU	RU	79.2~180	22~50	5~34.5	800~1800	59	3~5		
150X100DH(R)-D	60	M	M	162~360	40~100	12~56	800~1550	65	5~8	5	365
		RU	RU	144~324	40~90	12~45	800~1350	65	3~5		
200X150DH(R)-R	300	M	M	360~828	100~230	10~61	500~1140	72	2~9	5	510
		RU	RU	324~720	90~200	7~49	400~1000	65	5~10		
250x200DH(R)-ST	560	M	M	612~1368	170~380	11~61	400~850	71	4~10	5	686
		RU	RU	540~1188	150~330	12~50	400~750	75	4~12		
300X250DH(R)-ST	560	M	M	936~1980	260~550	7~68	300~800	82	6	5	762
		RU	RU	720~1620	200~450	7~45	300~650	80	2.5~7.5		
350X300DH(R)-ST	560	M	M	1260~2772	350~770	13~63	300~600	77	3~10	5	965
		RU	RU	1152~2520	320~700	13~44	300~500	79	3~8		
400X350DH-TU	1200	M	M	1368~3060	380~850	11~63	250~550	79	4~10	5	1067
500X450DH-TU	1200	M	M	2520~5400	700~1500	13~57	200~400	85	5~10	5	1370

注：  
1. “M”代表合金耐磨材料，“RU”代表橡胶材料。  
2. 推荐流量范围  $50\%Q' \leq Q \leq 110\%Q'$  ( $Q' \approx$  相应于最高效率点流量)。  
3. NPSH 是指最高转速时，推荐 Q 点所对应的 NPSH 值。

Note :  
1. “M” : alloy wear-resistant material, “RU”: rubber.  
2. Capacity range recommend:  $50\% Q' \leq Q \leq 110\% Q'$  ( $Q' \approx$  appropriate to capacity at highest efficiency point).  
3. NPSHr: appropriate to point Q recommend at highest speed.

## DH(R)系列渣浆泵外形及安装尺寸图

### Outline and Installation Dimension of DH(R) Type Slurry Pump

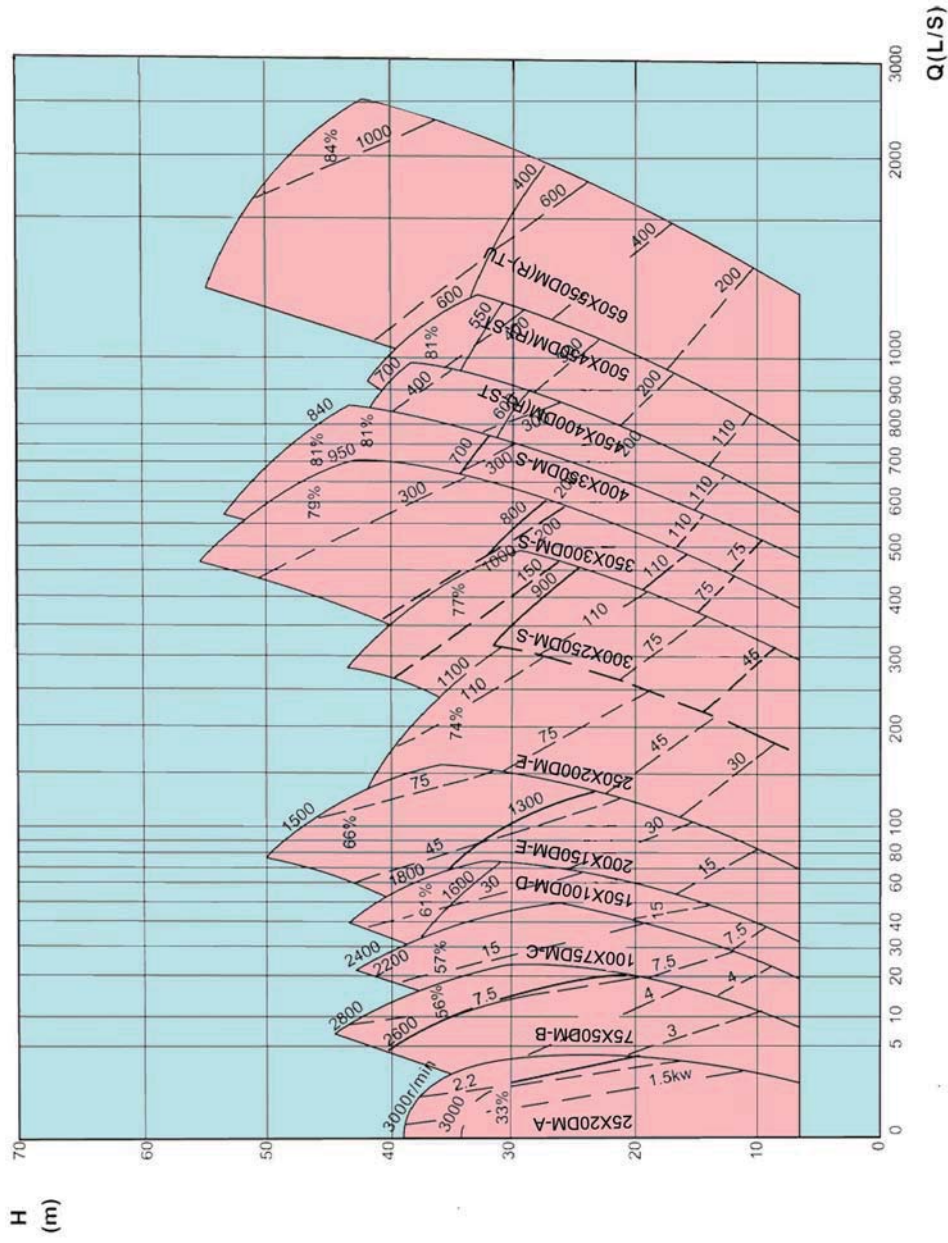


型号 Type	外形尺寸 Outline Dimension(mm)																	
	A	B	C	D	U	E	F	G	H	J	K	L	M	N	V	T	S	n-d
40X25DH(R)-B	583	295	248	197	28	79	206	181	98	171	46	-	143	254	181	38	24	4-φ14
50X40DH(R)-B	592	295	248	197	28	79	217	205	114	184	33	-	143	254	184	38	24	4-φ14
75X50DH(R)-C	768	406	311	254	42	121	281	238	138	210	71	-	175	356	233	48	32	4-φ19
100X75DH(R)-C	843	406	311	254	42	121	354	292	149	262	24	-	185	356	270	48	32	4-φ19
150X100DH(R)-D	1021	492	364	330	65	164	421	406	229	338	11	-	213	432	318	64	38	4-φ22
200X150DH(R)-R	1360	680	590	350	85	215	611	511	318	460	-	170	490	560	312	70	50	4-φ28
250x200DH(R)-ST	1748	1150	780	650	120	280	692	673	419	635	27	-	620	900	439	125	80	4-φ48
300X250DH(R)-ST	1816	1150	780	650	120	280	762	775	464	674	-	65	620	900	461	125	80	4-φ48
350X300DH(R)-ST	1873	1150	780	650	120	280	712	937	629	832	-	224	620	900	486	125	80	4-φ48
400X350DH-TU	2320	1460	1050	900	150	350	953	1048	660	889	-	84	860	1200	597	150	95	4-φ79
500X450DH-TU	2475	1460	1050	900	150	350	1100	1420	940	1230	-	420	860	1200	615	150	95	4-φ79

型号 Type	进口法兰尺寸 Intake Flange Dimension(mm)				出口法兰尺寸 Discharge Flange Dimension(mm)				重量 Weight (kg)	
	D <sub>0</sub>	D <sub>1</sub>	D <sub>2</sub>	n-d <sub>1</sub>	d <sub>0</sub>	d <sub>1</sub>	d <sub>2</sub>	n-d <sub>2</sub>	Metal	Rubber
40X25DH(R)-B	152	38	114	4-φ16	165	25	127	4-φ16	91	77
50X40DH(R)-B	184	51	146	4-φ19	165	38	127	4-φ19	104	118
75X50DH(R)-C	216	76	178	4-φ19	184	51	146	4-φ19	191	154
100X75DH(R)-C	279	102	235	4-φ22	229	76	191	4-φ22	263	236
150X100DH(R)-D	337	152	292	4-φ22	279	102	235	4-φ22	626	454
200X150DH(R)-R	406	203	356	4-φ22	368	152	321	8-φ22	1655	—
250x200DH(R)-ST	502	254	445	8-φ29	432	203	375	8-φ29	3750	3130
300X250DH(R)-ST	527	305	470	12-φ25	527	254	470	12-φ25	4318	3357
350X300DH(R)-ST	585	356	521	12-φ25	552	305	495	12-φ25	6409	4672
400X350DH-TU	705	406	341	12-φ35	673	356	610	12-φ29	10000	—
500X450DH-TU	900	508	800	12-φ42	900	460	800	12-φ42	18864	15921

## DM(R)系列渣浆泵型谱图

### Section Chart of DM(R) Type Slurry Pump



## DM(R)系列渣浆泵性能参数

### Performance Parameter of DM(R) Type Slurry Pump

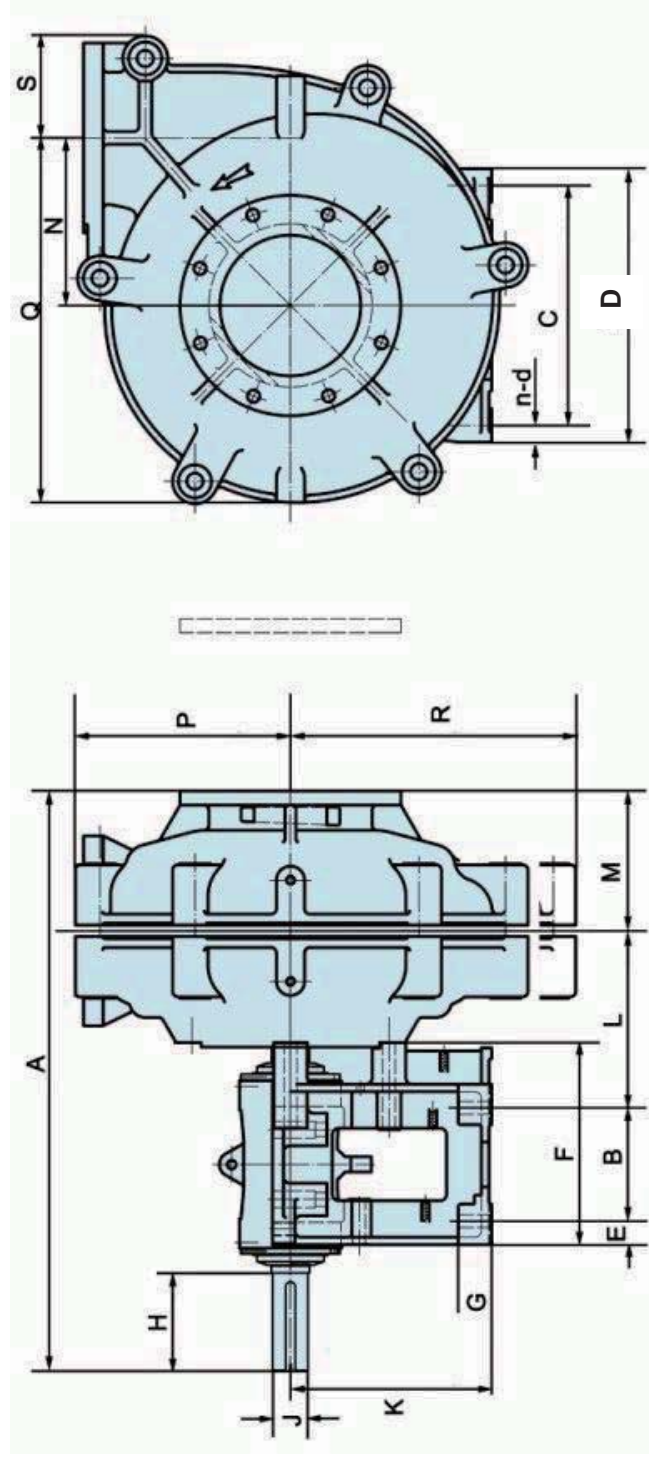
型号 Type	允许配代 最大功率 Allowable Mating Max. Power (kW)	材质 Material		性能参数 Clear Water Performance						叶轮 Impeller	
		护套 Liner	叶轮 Impeller	流量 Capacity (Q)		扬程 Head (H)	转速 Speed (n)	最高效率 Max.Eff.	汽蚀余量 NPSHr	叶片数 No. of Vanes	叶轮直径 Impeller Dia. (mm)
				(m <sup>3</sup> /h)	(l/s)	(m)	(r/min)	(%)	(m)		
25X20DM-A	7.5	M	M	2.34~10.8	0.65~3	6~37	1400~3000	30	—	4	152.4
75X50DM-B	15	M	M	16.2~76	4.5~20	9~44	1400~2800	55	—	4	190
100X75DM-C	30	M	M	18~151	5~42	4~45	900~2400	57	—	4	229
150X100DM-D	60	M	M	50~252	14~70	7~46	800~1800	60	2~3.5	4	305
200X150DM-E	120	M	M	115~486	32~135	12~51.5	800~1500	65	2~6	4	381
250X200DM-E	120	M	M	234~910	65~253	9.5~40	600~1100	64	3~6	4	457
300X250DM-S	120	M	M	396~1425	110~396	8~30	500~800	77	2~10	5	550
350X300DM-S	560	M	M	468~2538	130~705	8~60	400~950	79	2~10	5	653
400X350DM-S	560	M	M	650~2800	180~780	10~59	400~840	81	3~10	5	736
450X400DM(R)-ST	560	M	M	720~3312	200~920	7~51	300~700	80	2~10	5	825
		M	M	756~3312	210~920	7~37.5	6300~600	85	2~8		
500X450DM(R)-ST	560	M	M	1008~4356	280~1210	9~48	300~600	80	2~9	5	933
		RU	RU	1080~4356	300~1210	9~40	300~550	87	3~10		
650X550DM(R)-TU	1200	M	M	1980~7920	560~2200	10~50	250~475	86	4~10	5	1213
		RU	RU	1980~7920	700~2530	10~50	250~475	86	4~10		

- 注：
- “M”代表合金耐磨材料，“RU”代表橡胶材料。
  - 推荐流量范围  $50\%Q' \leq Q \leq 110\%Q'$  ( $Q' \approx$  相应于最高效率点流量)。
  - NPSH 是指最高转速时，推荐 Q 点所对应的 NPSH 值。

- Note :
- “M” : alloy wear-resistant material, “RU”: rubber.
  - Capacity range recommend:  $50\% Q' \leq Q \leq 110\% Q'$  ( $Q' \approx$  appropriate to capacity at highest efficiency point).
  - NPSHr: appropriate to point Q recommend at highest speed.

### DM(R)系列渣浆泵外形及安尺寸图

### Outline and Installation Dimension of DM(R) Type Slurry Pump



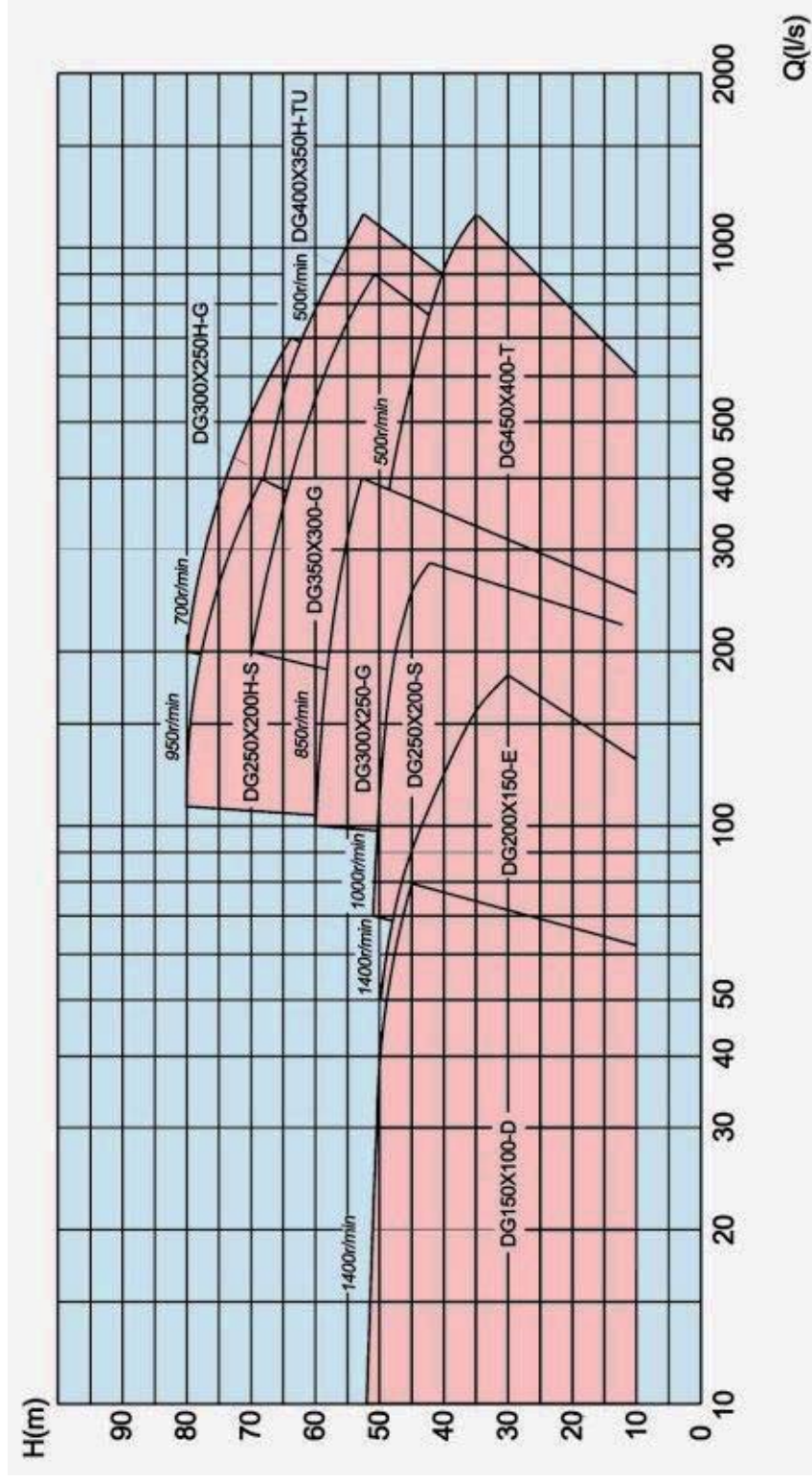
型号 Type	外形尺寸 Outline Dimension(mm)													
	A	B	C	D	E	F	G	n-d	H	J	K	L	M	N
25X20DM-A	461	159	241	286	25	210	28	4-φ18	57	20	145	89	90	86
75X50DM-B	642	143	254	295	24	248	38	4-φ14	80	28	197	191	136	114
100X75DM-C	813	175	356	406	32	311	48	4-φ19	120	42	254	253	163	146
150X100DM-D	950	213	432	492	38	364	64	4-φ22	163	65	330	280	187	190
200X150DM-E	1218	257	546	622	54	448	76	4-φ29	220	80	457	376	237	248
250X200DM-E	1334	257	546	622	54	448	76	4-φ29	220	80	457	413	306	292
300X250DM-E	1406	490	560	680	50	590	70	4-φ28	216	85	350	322	324	438
350X300DM-S	1720	640	760	920	70	780	90	4-φ35	280	120	450	415	300	475
400X350DM-S	1776	640	760	920	70	780	90	4-φ35	280	120	650	425	340	530
450X400DM(R)-ST	1840	620	900	1150	80	780	125	4-φ48	280	120	650	480	375	600
500X450DM(R)-ST	1875	620	900	1150	80	780	125	4-φ48	280	120	650	500	400	660
650X550DM(R)-TU	2400	860	1200	1460	95	1050	150	4-φ79	350	150	900	625	500	860

型号 Type	泵头尺寸 Pump Head Dimension(mm)				进口法兰尺寸 Intake Flange Dimension(mm)				出口法兰尺寸 Discharge Flange Dimension(mm)			
	S	Q	R	P	O.D.	I.D.	C-C BET. Holes	Holes	O.D.	I.D.	C-C BET. Holes	Holes
25X20DM-A	144	—	—	128	114	25	83	4-φ14	102	20	73	4-φ14
75X50DM-B	—	155	—	163	184	75	146	4-φ19	165	50	127	4-φ19
100X75DM-C	102	—	—	204	229	100	191	4-φ19	203	75	165	4-φ19
150X100DM-D	118	—	—	262	305	150	260	4-φ22	229	100	191	4-φ22
200X150DM-E	155	—	—	324	368	200	324	4-φ19	305	150	260	4-φ19
250X200DM-E	199	—	—	401	445	250	394	8-φ22	382	200	337	8-φ22
300X250DM-E	257	476	603	470	552	305	495	8-φ32	483	254	425	8-φ32
350X300DM-S	165	599	634	570	560	350	500	12-φ26	530	300	470	12-φ26
400X350DM-S	295	643	691	620	640	400	580	12-φ26	590	350	530	12-φ26
450X400DM(R)-ST	343	747	809	740	720	450	650	12-φ33	685	400	615	12-φ33
500X450DM(R)-ST	375	814	872	800	770	500	700	12-φ33	740	450	670	12-φ33
650X550DM(R)-TU	453	1055	1142	975	975	650	880	12-φ39	900	350	800	12-φ39



## DG 系列砂砾泵型谱图

### Section Chart of DG Type Gravel Pump



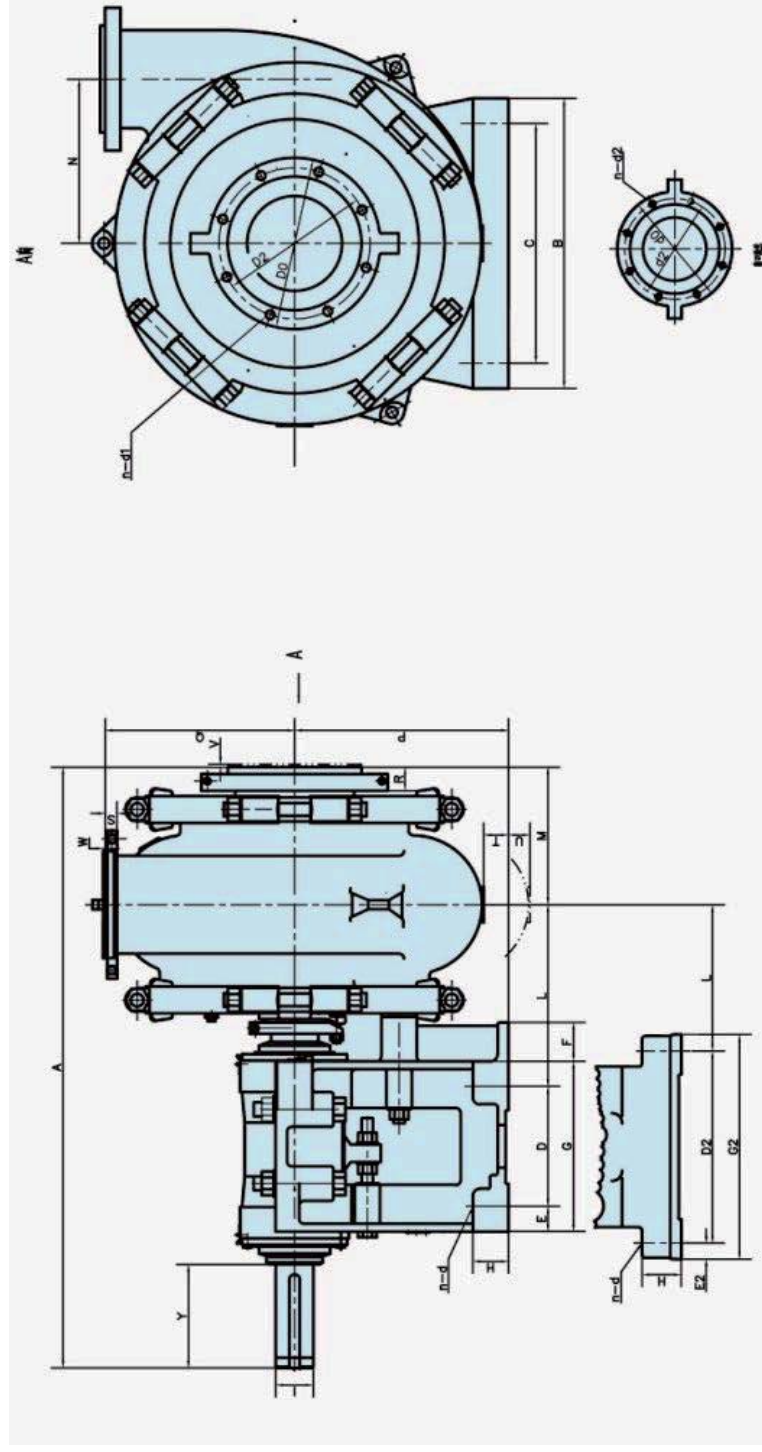
## DG 系列砂砾泵性能参数

### Performance Parameter of DG Type Gravel Pump

型号 Type	流量 Capacity (Q)		扬程 Head (H)	转速 Speed (n)	最高效率 Max. Eff.	汽蚀余量 NPSHr	进口直径 Suction Dia.	出口直径 Discharge Dia.	最大过流粒径 Max. Dia. of Flowed Particle	重量 Weight
	(m <sup>3</sup> /h)	(l/s)								
DG150X100-D	36~252	10~70	3.5~51	600~1400	30~50	2.5~3.5	150	100	82	460
DG200X150-E	137~576	38~160	10~48	800~1400	50~60	3~4.5	200	150	127	1120
DG250X200-S	216~979	60~272	13~50	500~1000	45~65	3~7.5	250	200	178	2285
DG300X250-G	360~1512	100~420	11~58	400~850	50~70	2~4.5	300	250	220	4450
DG350X300-G	504~3168	140~880	6~66	300~700	60~68	2~8	350	300	240	5400
DG450X400-T	864~3816	240~1060	9~48	250~500	60~72	3~6	450	400	254	10800
DG250X200H-S	396~1296	110~360	10~80	500~950	60~72	2~5	250	200	180	3188
DG300X400H-T	612~2232	170~620	28~78	350~700	60~72	2~8	300	250	210	4638
DG400X350H-TU	720~3600	200~1000	20~72	300~500	60~72	3~6	400	350	230	12250

## DG 系列砂砾泵外形及安装尺寸图

### Outline and Installation Dimension of DG Type Gravel Pump

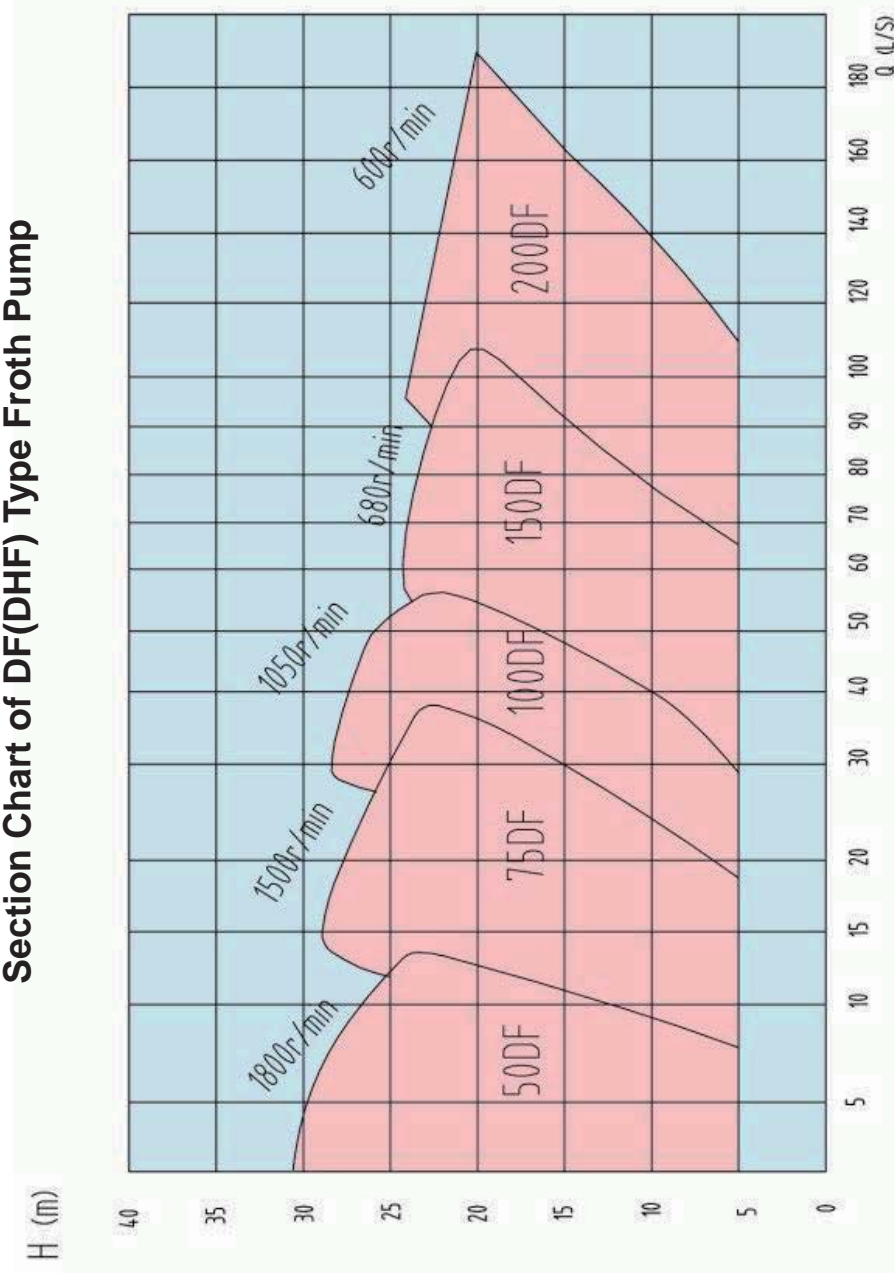


型号 Type	外形尺寸 Outline Dimension(mm)																
	A	B	C	D	E	F	G	D2	E2	G2	H	Y	I	n-d	L	M	N
DG150×100-D	1006	492	432	213	38	75	289	-	-	-	54	164	65	4-Φ22	330	203	260
DG200×150-E	1286	622	546	257	54	83	365	-	-	-	75	222	80	4-Φ29	392	295	352
DG250×200-S	1720	920	760	-	-	-	-	640	70	780	90	280	120	4-Φ35	378	330	416
DG300×250-G	2010	1207	851	-	-	-	-	749	64	876	152	356	140	4-Φ41	473	368	522
DG350×300-G	2096	1207	851	-	-	-	-	749	64	876	152	356	140	4-Φ41	502	424	610
DG450×400-T	2320	1150	900	-	-	-	-	880	80	1040	125	350	150	4-Φ48	538	439	692
DG250×200H-S	1774	920	760	-	-	-	-	640	70	780	90	280	120	4-Φ35	455	330	475
DG300×250H-G	2062	1219	851	-	-	-	-	749	64	876	152	356	140	4-Φ41	496	400	605
DG400×350H-TU	2367	1460	1200	-	-	-	-	860	95	1050	150	350	150	4-Φ79	649	448	765

型号 Type	外形尺寸 Outline Dimension(mm)								吸入口法兰尺寸 Intake Flange Dimension (mm)			吐出口法兰尺寸 Discharge Flange Dimension (mm)			重量 Weight (kg)
	P	Q	R	S	T	U	V	W	D0	D2	n-d1	d0	d2	n-d2	
DG150×100-D	330	343	33	32	16	-	8	5	305	260	8-Φ19	254	210	4-Φ19	460
DG200×150-E	457	405	29	29	54	-	6	8	368	324	8-Φ19	305	260	8-Φ19	1120
DG250×200-S	450	533	48	41	-	102	8	6	457	406	8-Φ22	368	324	8-Φ19	2285
DG300×250-G	851	665	48	49	238	-	10	8	527	470	12-Φ22	457	406	8-Φ22	4450
DG350×300-G	851	787	48	48	121	-	8	10	552	495	8-Φ22	527	470	12-Φ22	5400
DG450×400-T	650	921	64	64	-	274	8	10	705	641	16-Φ25	640	584	12-Φ25	10800
DG250×200H-S	450	620	48	42	-	206	8	6	457	406	8-Φ22	368	324	8-Φ19	3188
DG300×250H-G	851	800	60	60	40	-	10	8	533	476	8-Φ29	483	432	8-Φ25	4638
DG400×350H-TU	900	1008	72	82	-	120	8	10	650	600	12-Φ28	600	540	12-Φ28	12247

## DF(DHF)系列泡沫泵型谱图

Section Chart of DF(DHF) Type Froth Pump



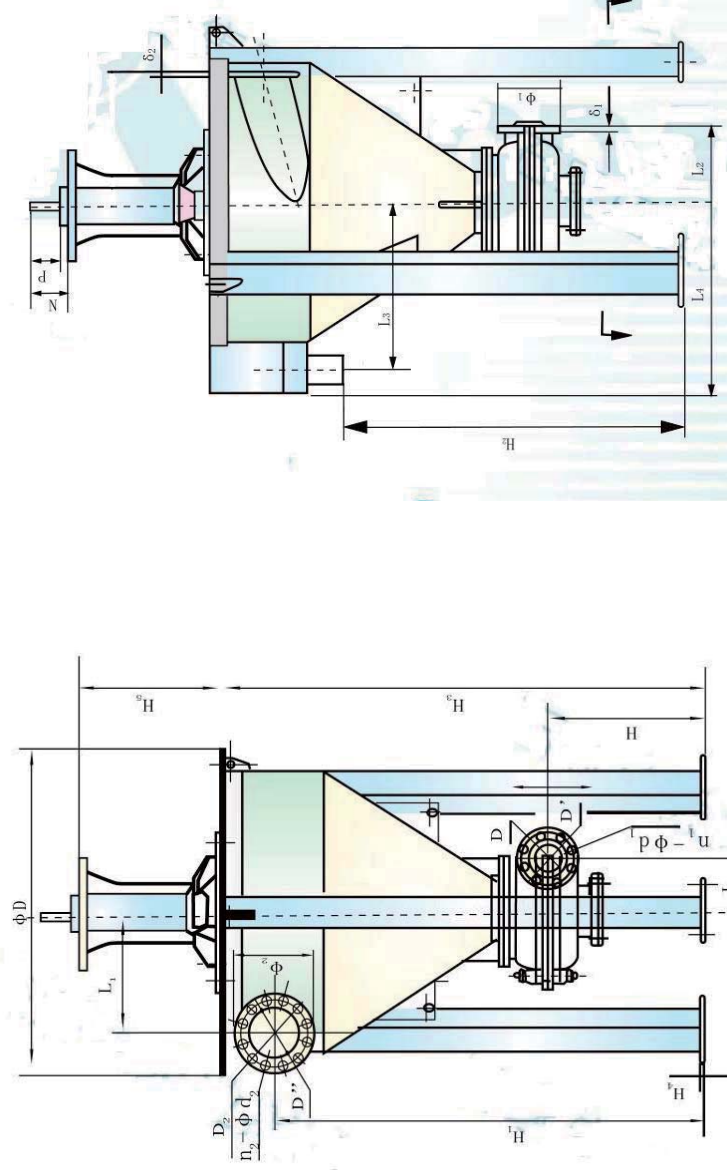
## DF(DHF)系列泡沫泵性能参数

### Performance Parameter of DF(DHF) Type Froth Pump

型号 Type	流量 Capacity (Q)		扬程 Head (H)	转速 Speed (n)	最高效率 Max. Eff.	最大过流粒径 Max. Dia. of Flowed Particle	允许配代 最大功率 Allowable Mating Max. Power
	(m <sup>3</sup> /h)	(l/s)					
50DF	4.3~51	1.2~14.2	6.2~30.2	800~1800	20~45	35	15
75DF	10.8~149.4	3~41.5	6.5~29.5	700~1500	20~55	38	20
100DF	10.8~212	3~59	6.8~29.2	500~1050	20~55	55	40
150DF	36~425	10~118	6.8~25.2	350~680	20~55	63	75
200DF	230~670	64~186	5~24.8	350~680	20~55	72	75

## DF(DHF)系列泡沫泵外形及安装尺寸图

### Outline and Installation Dimension of DF(DHF) Type Froth Pump

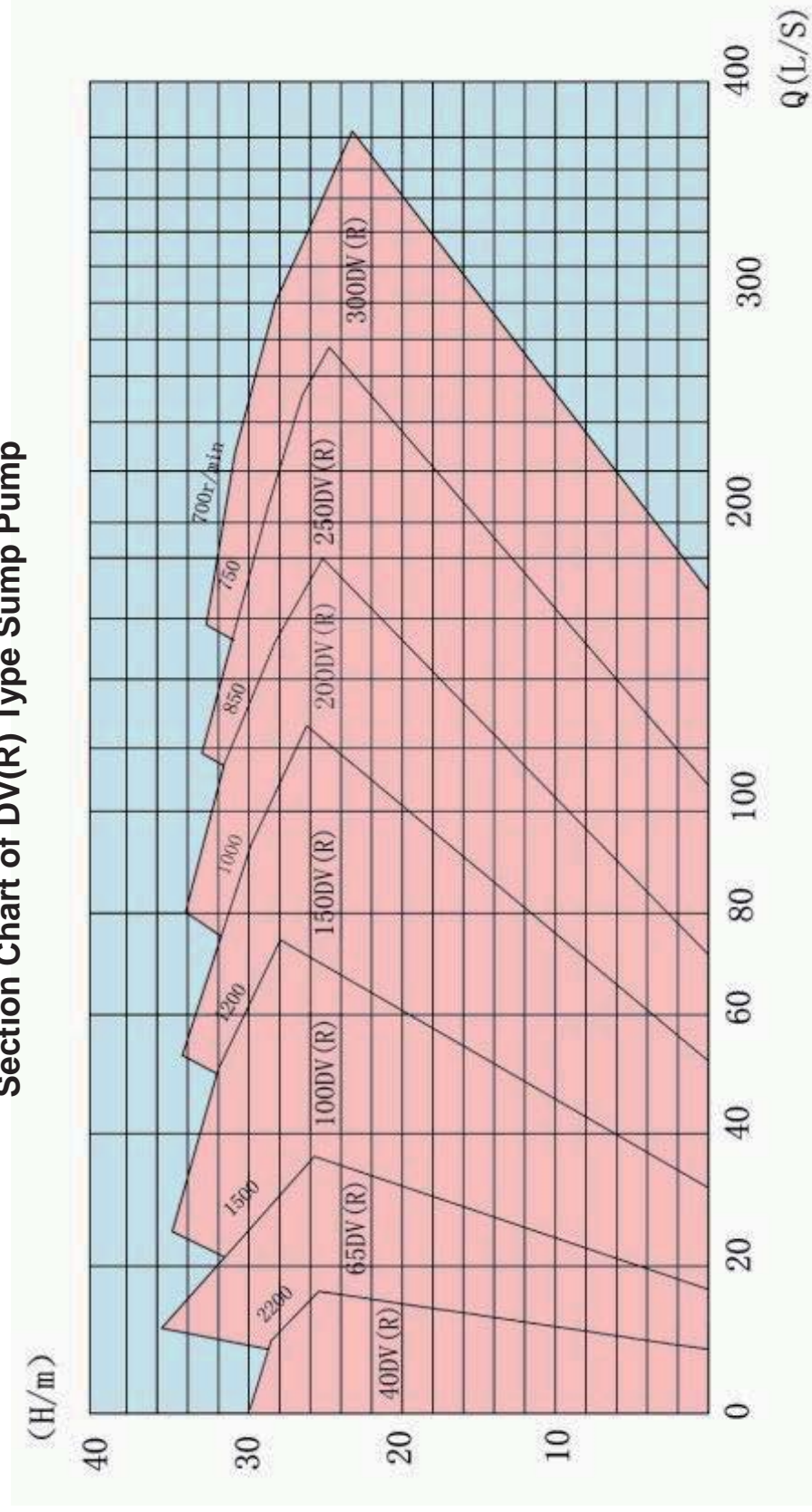


型号 Type	外形尺寸 Outline Dimension(mm)											出口法兰尺寸 Discharge Flange Dimension(mm)						入口法兰尺寸 Intake Flange Dimension(mm)								
	H	H1	H2	H3	H4	H5	L	L1	L2	L3	L4	ΦD	N	P	D1	D'	Φ1	n1	Φd1	δ1	D2	D"	Φ2	n2	Φd2	δ2
50DF	382	1140	850	1300	12	474	138	360	210	480	380	938	174	110	51	146	184	4	19	25	102	178	216	4	19	12
75DF	467	1250	950	1400	12	474	149	354	262	510	445	938	174	110	76	191	229	4	22	27	152	235	279	8	18	16
100DF	506	1720	1310	1910	16	637	229	537	338	740	600	1444	238	170	102	235	279	4	22	32	203	292	337	8	19	12
150DF	791	2430	1950	2770	20	875	318	696	460	1020	800	1970	300	210	152	324	365	8	21	38	305	406	457	12	22	20
200DF	791	2430	1950	2770	20	875	381	696	470	1020	800	1970	300	210	203	375	432	8	29	44	305	406	457	12	22	20



### DV(R)系列液下泵型谱图

#### Section Chart of DV(R) Type Sump Pump



## DV(R)系列液下泵性能参数

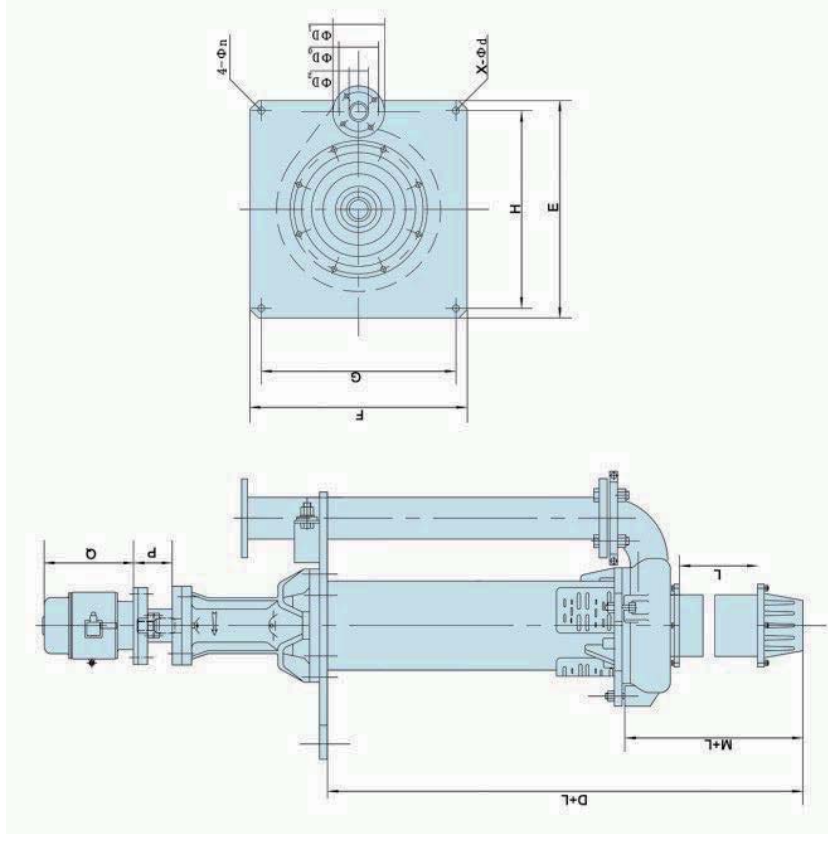
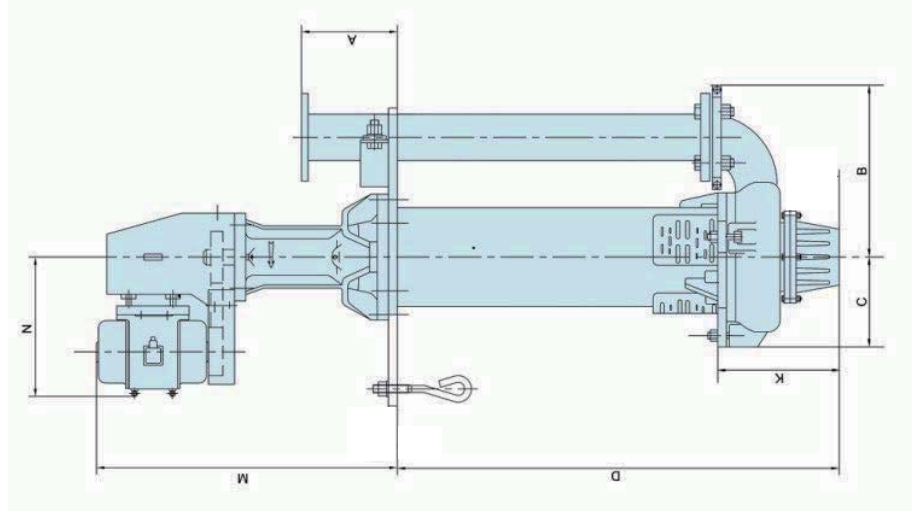
### Performance Parameter of DV(R) Type Sump Pump

型号 Type	允许配代 最大功率 Allowable Mating Max. Power (kW)	材质 Material		清水性能 Clean Water Performance					叶轮 Impeller	
		护套 Liner	叶轮 Impeller	流量 Capacity (Q)		扬程 Head (H)	转速 Speed (n)	最高效率 Max. Eff.	叶片数 No. of Vaness	叶轮直径 Impeller Dia.(mm)
				(m <sup>3</sup> /h)	(l/s)					
40(L)DV	15	M	M	19~43	5.3~12	4.5~28.5	1000~2200	40	5	188
40(L)DVR		R	R	18~40	5~11	4~26	1000~2200	40	5	188
65(L)DV	30	M	M	23~111	6.4~30.8	5~29.5	700~1500	50	5	280
65(L)DVR		R	R	23~105	6.4~29	5.5~30.5	500~1200	51	5	280
100(L)DV	75	M	M	54~289	15~80	5~35	600~1200	56	5	370
100(L)DVR		R	R	65~285	18~79	7.5~36	600~1200	62	5	370
150(L)DV	110	M	M	108~480	30~133	8.5~40	500~1000	52	5	450
200(L)DV		M	M	189~891	52.5~247.5	6.5~37	400~850	64	5	520
250(L)DV	200	M	M	261~1089	72.5~302.5	7.5~33	400~750	60	5	575
300(L)DV		M	M	288~1267	80~352	6.5~33	350~700	50	5	610

注： 1. “M”是耐磨合金材质。“R”是橡胶材质。“（L）”代表加长轴型式。  
Note: 1. “M”: alloy wear-resistant material, “RU”: rubber. “L” : Extension Type.

## DV(R)系列液下泵外形及安装尺寸图

### Outline and Installation Dimension of DV(R) Type Sump Pump



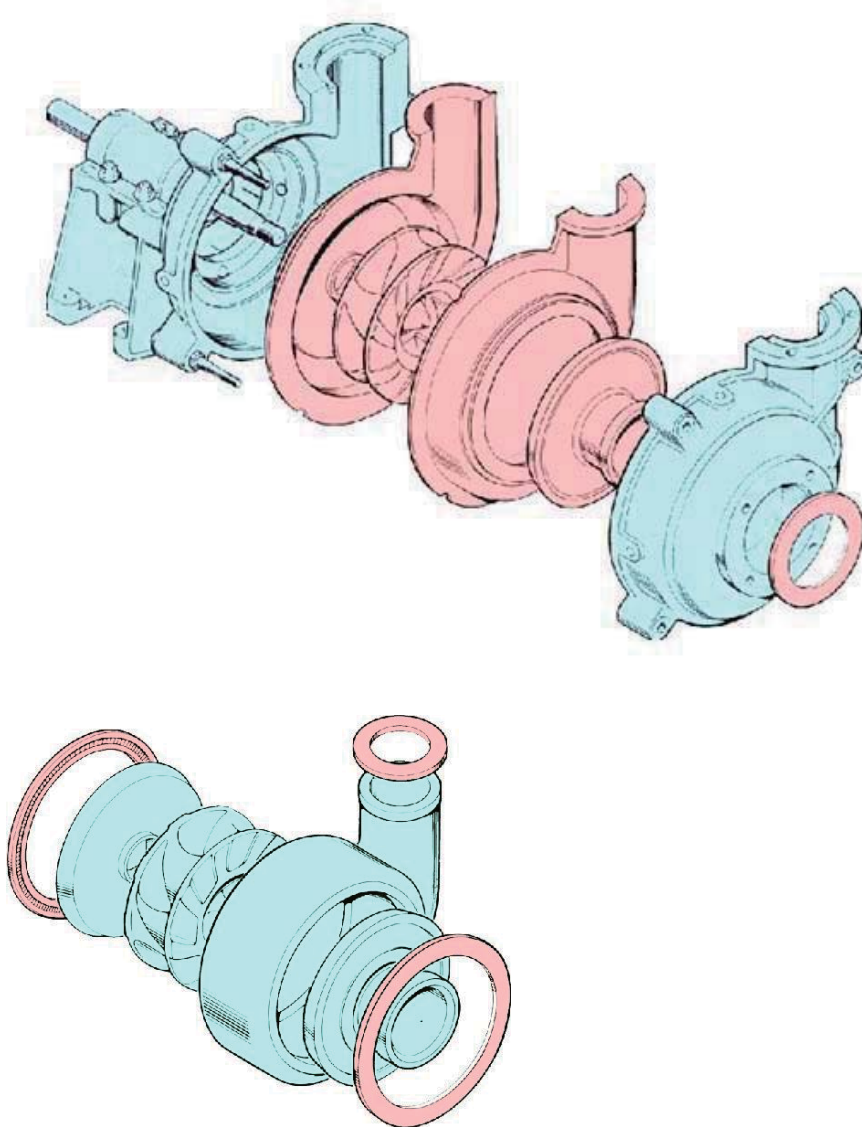
泵 Pump		A		B		C		D		E	F	G	H	J	φn	K	M	N	P	Q	泵重 Weight (kg)	S	出口法兰尺寸 Discharge Flange Dimension		
		出口直径 Discharge Dia.(mm)	托架 Base Type	型号 Type	标准型 Standard Type	加长型 Extension Type	ΦD1	ΦD2	ΦD0														X-Φd		
40	P(L)	DV	137	285	153	900*	1800*	500	500	500	450	450	205	18	174	1113	675	248	629	285	280	127	40	98	4-Φ16
		DVR	140	265	175	1200	2500	680	680	680	620	285	400	18	393	1390	1020	290	681	432	350	178	65	140	4-Φ19
65	Q(L)	DV	227	399	231	900*	1800*	1000	1000	870	800	930	400	22	393	1803	1020	416	960	876	350	229	100	191	8-Φ19
		DVR	230	380	260	1500	2500	1100	1100	1100	1030	1030	500	28	475	2186	1200	476	1011	1737	350	280	150	241	8-Φ22
100	R(L)	DV	265	538	317	1200	2400	1300	1300	1200	1100	1200	600	28	550	2191	1300	476	1011	2800	350	343	200	298	8-Φ22
		DVR	266	535	332	1500*	3400	1100	1100	1100	1030	1030	600	28	550	2191	1300	476	1011	2800	350	343	200	298	8-Φ22
150	S(V)	DV	390	670	365	1200	2800*	1300	1300	1200	1100	1200	600	28	550	2191	1300	476	1011	2800	350	343	200	298	8-Φ22
		DVR	395	670	400	1500*	3400	1300	1300	1200	1100	1200	600	28	550	2191	1300	476	1011	2800	350	343	200	298	8-Φ22
200	S(L)	DV	450	805	440	1200	2800*	1300	1300	1200	1100	1200	600	28	550	2191	1300	476	1011	2800	350	343	200	298	8-Φ22
		DVR	450	805	440	1500*	3400	1300	1300	1200	1100	1200	600	28	550	2191	1300	476	1011	2800	350	343	200	298	8-Φ22
250	T(L)	DV	500	930	470	1800	2800*	1750	1750	1450	1350	2650	700	48	685	2572	1750	561	1246	3700	400	406	250	362	12-Φ25
		DVR	500	930	470	2100*	3600	1750	1750	1450	1350	2650	700	48	685	2572	1750	561	1246	3700	400	406	250	362	12-Φ25
300	T(L)	DV	500	1170	559	1800	2800*	1750	1750	1450	1350	700	700	48	700	2476	1750	561	1246	4500	400	483	300	432	12-Φ25
		DVR	400	1090	630	2400	3600	1750	1750	1450	1350	700	700	48	700	2476	1750	561	1246	4500	400	483	300	432	12-Φ25

注：L 尺寸为：0、300、600、900、1200、1800；L 为0时为标准泵的尺寸。过滤网到池底的尺寸范围：300-500mm。  
 Note: L size:0,300,600,900,1200,1800,Standard Pump:L=0. The dimension range from filter to bottom of the pool :300-500mm.

## 模块化设计 Modular Design

所有产品均采用模块化设计，使得所有泵结构均具有相对独立性，良好的互换性和通用性。材质也可根据工况进行调整。

All products are designed by modular design so as to the construction of all pumps possesses relative independence, favorable interconvertibility and universality. The material can be adjusted according to operating condition.



## 密封形式 Type of Seal

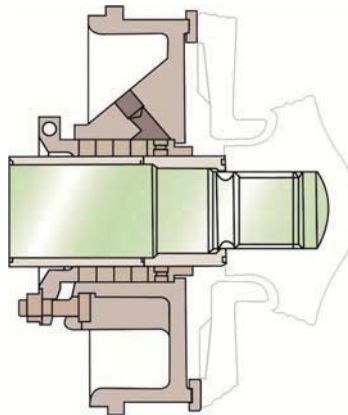
密封形式多样，根据工况不同，相同型号的产品可以更换多种密封形式。密封分为填料密封、机械密封、副叶轮动力密封及各类组合型密封。

Seal type is multiple, the same productions have some kinds of seal type. seal type is split into gland seal, mechanical seal, expeller seal and all kinds of combined seal.

### 填料密封 Gland Seal

常规轴封形式，适用于各种工况条件，可配用聚四氟乙烯填料、石墨填料等特殊材质，用于腐蚀性或者高温条件下。可配用喷焊陶瓷轴套，适用于强磨蚀工况。

Gland seal is used for all kinds of operating condition with the materials of gland seal are the PTFE packing and graphite packing etc that are used for corrosivity or high temperature condition. The material of shaft sleeve is spray welding cream, wich is used for ablation condition.

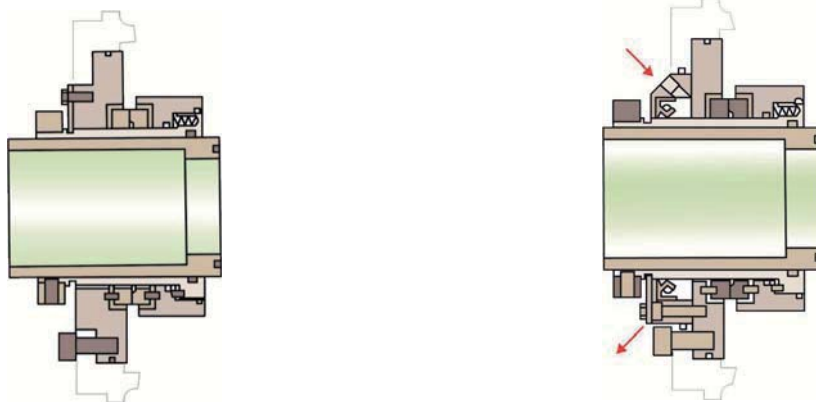


### 机械密封 Mechanical Seal

国际领先的密封技术，无泄漏的密封效果。集装式结构，安装和更换方便，不同的结构型式适应不同的工况条件。具有较高的抗磨性和抗震性，在各种恶劣工况下均能保证顾客满意的密封效果。

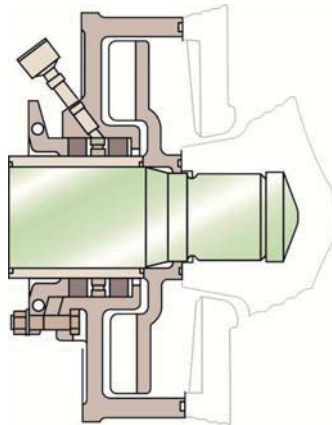
As the character of no leak and wearing and antiknock quality, the mechanical

seal is widely used in all kinds of operating conditions. The packaging construction of seal is installed and changed expediently.



### 副叶轮密封 Expeller Seal

利用与叶轮串联的副叶轮产生的压力密封，填料和唇口密封圈作为停车密封。  
To exploit with the pressure between expeller and Impeller, the seal seals the shaft and impeller of pump. We use the packing and lip seal ring as stop seal.



## 传动形式 Type of Drive

**ZVZ 传动 / ZVZ Drive**



**DCZ 传动 / DCZ Drive**



**CRZ(CLZ)传动 / CRZ(CLZ)Drive**



**CV 传动 / CV Drive**



## 质保体系 Quality System

拥有数字超声波探伤仪、光电直读光谱仪、金相分析仪、万能材料试验机、冲击试验仪、压力试验仪、硬度表等检验检测仪器和各种通用及专用量具、检具，并建有专业的泵类产品试验台，可对原料的材质和金相结构、零件加工、整机装配和产品性能等进行全面检测。

我公司对铸件还进行无损探伤并执行以下标准：

JB/T8543.2-1997 中华人民共和国机械行业标准 泵产品零件无损检测 渗透检测；  
JB/T9218-2007 中华人民共和国机械行业标准 无损检测 渗透检测；  
GB/T4162-2008 中华人民共和国国家标准 锻轧钢棒超声检测方法。



设备的质量和质保体系严格按照 ISO9001 国际质量体系的标准执行。

1) 保证向用户提供符合相关国家标准、符合合同要求及设计制造技术条件要求的优质产品，并满足技术协议规定的所有条件。

2) 保证对所提供的设备，包括元器件、外购件承担全部责任，并实行终身服务。

3) 质量保证期：质保期为船厂交船后 12 个月。凡根据合同提供的货物，在质保期内，在正常使用情况下，保证不出现由于我方设计、材料或制造中的缺陷以及其他任何由于我方的过失而产生的损失。否则，我方在规定的期限内负责免费更换或修理。

We have ultrasonic fault detector, photoelectric direct reading spectrometer, metallographic analysis meter, universal material tester, impulse tester, pressure tester and hardness scale etc., and built test stand of pump.

We use standard of casting parts and nondestructive inspection:

JB/T8543.2-1997 Machinery industry standard of the People's Republic of China, Pump parts nondestructive testing, penetrant testing

JB/T9218-2007 Machinery industry standard of the People's Republic of China, nondestructive testing, penetrant testing.

GB/T4162-2008 the State Standard of the People's Republic of China, Forged steel bar ultrasonic testing method.

The quality of the equipment and the quality assurance system are in strict accordance with the program execution of ISO9001 international quality system regulation system.

1) Make sure provide the product comply with relevant national standards and conform to the requirements of the contract and the technology of design, and meet all the conditions prescribed by the technical agreement.

2) Take full responsibility of provided equipment (included components, parts and purchased parts ) and make sure the after-sale service.

3) Warranty period: the period is 12 months after delivery. we are sure that the provided product under normal use won't appears in the design, materials or manufacturing defects and any other losses arising from the seller's negligence .otherwise the seller is responsible for free replacement or repair within deadline.



# 质量管理体系认证证书

证书编号: 00113Q22315R1M/1300

兹证明

河北德林机械有限公司

中国河北省石家庄市元氏县池村 (107国道池村道口)

建立的质量管理体系符合标准:

**ISO9001:2008**

**GB/T 19001-2008**

通过认证范围如下:

离心式渣浆泵的设计开发和生产及其零部件的生产

首次发证日期: 2010年3月25日 本次发证日期: 2013年3月7日 有效期至: 2016年3月6日

在一个监督周期后, 本证书必须与CQC签发的监督审核合格通知书合并使用方可有效。查询证书有效状态请登陆www.cqc.com.cn。



Signed by: Wang Kejiao



## 中国质量认证中心

中国·北京·南四环西路188号9区 100070

<http://www.cqc.com.cn>

Q 0133351

2009年版



品德团队  
Moral Team

品质产品  
Excellent Product

品牌服务  
Brand Service

Beijing  
DL  
Tianjin  
Shanghai

## 河北德林机械有限公司

地址：中国河北省石家庄市元氏大街271号

电话：0086-311-86481658/1688

传真：0086-311-86481668

电子邮箱：sales@delinco.com; info@delinco.com

邮编：051130

网址：www.delinco.com

## Hebei Delin Machinery CO.,LTD.

ADD: NO.271, Yuanshi Street, Shijiazhuang City  
Hebei Province, China

TEL: 0086-311-86481658/1688

FAX: 0086-311-86481668

EMAIL: sales@delinco.com; info@delinco.com

ZIP CODE: 051130

WEB: www.delinco.com