

TRIPOD TURNSTILE

FJC-Z3629

The FJC-Z3629 is an automatic tripod turnstile designed according to market demands. Its shell is made of carbon steel powder and 304 stainless steel, and inherits the classic trapezoidal handrail design. It uses multiple surface treatment technologies, which has plentiful layers, and is simple but extraordinary. It can be perfectly blended into high-grade and fashionable building environments, greatly showing elegant and fashionable charm.





Application Scenarios



Community



Factory



Bank



Hotel



Airport



Office Building



Key Features

- **Stable and reliable operation**

Brushless DC motor, work smoothly and stably and automatically decelerate and stop buffering when the motor is to be in place

- **Unique functional design**

Unique card reading and access display area, to guide pedestrians to operate and pass correctly

- **Reliable safety protection measures**

Automatically lift the bar up when powered on and automatically drop the bar when powered off, to meet fire alarm protection requirements

- **Voice Broadcasting**

Integrated voice board, without requiring an additional voice module

- **Swiping card and counting**

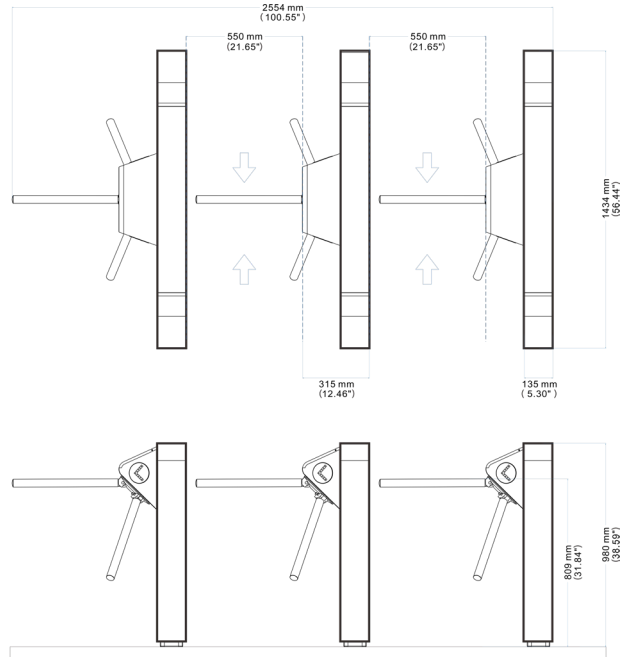
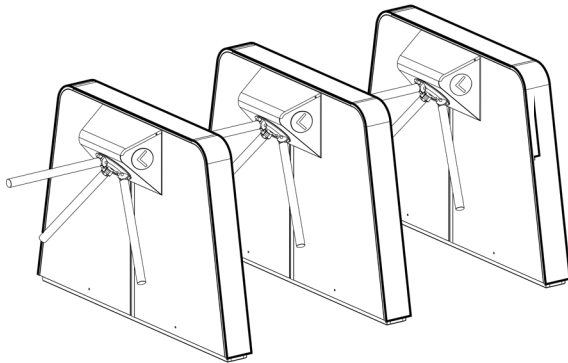
Counting function, which means that the gate is closed after N persons pass continually when they swipe card for N times in total, where $N \leq 100$

- **Fast and safe passage**

One-way or two-way access can be set



Dimensions (mm)



Product Specifications

Product Model	FJC-Z3629	
Appearance Specification	Case Material	Galvanized plate and 304 stainless steel
	Appearance Dimensions (L*W*H)	1,433*136*980mm
	Lane Width	500-550mm
	Access Performance	Access Speed
Power Supply	Working Voltage	AC 220V/110V±10% 50/60Hz
	Total Power	50W
Communication	Communication Protocol	RS485 or TCP/IP
Operating Environment	Working Temperature	-15°C to +70°C
	Relative Humidity	≤95%, no condensation
	Working Environment	Indoor and outdoor