

SWING GATE

FJC-Z2318

The FJC-Z2318 is a brand-new intelligent swing gate meticulously designed and researched and developed by FUJICA SYSTEM to meet the modern management requirements of "safety, quickness, high efficiency, and high quality". The product has a fashionable and beautiful appearance, and the core of the gate runs stably, efficiently, and durably. The product uses the advanced electronic control technology and detection technology, is configured with a standard signal input interface, and compatible with all kinds of door access controllers, and is applied to entrance and exit access of communities, parks, and campuses.





Application Scenarios



Community



Factory



Bank



Hotel



Airport



Office Building



Key Features

- **Stainless steel solid body**

Made of 304 stainless steel, corrosion resistant, wear resistant, high temperature resistant, oxidation resistant, and durable

- **DC motor driving**

Brushless DC motor, strong power, integrated core design, wear resistance and noise reduction, and stability and efficiency

- **Diversified access rights**

Diversified access permissions, and expandable to face recognition, IC card swiping, QR code, and ID card swiping, etc.

- **Intelligent security protection**

Multiple intelligent anti-pinch technologies, as well as the partition detection and fuzzy algorithm, to effectively protect pedestrians

- **Acousto-optic interaction**

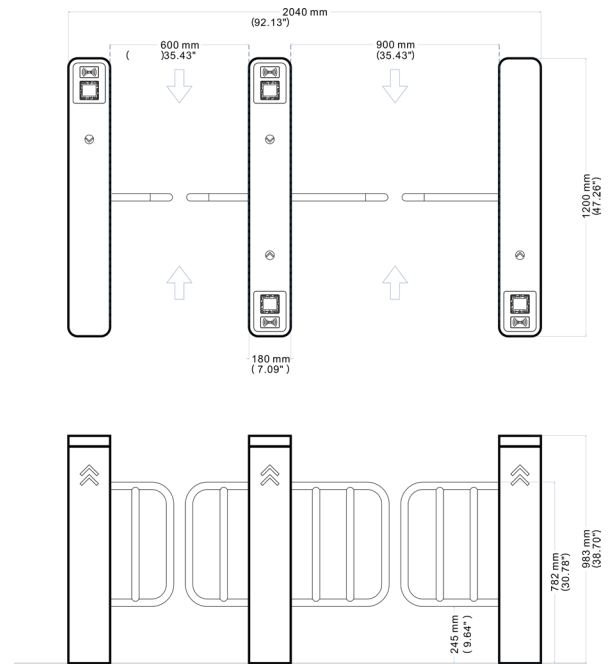
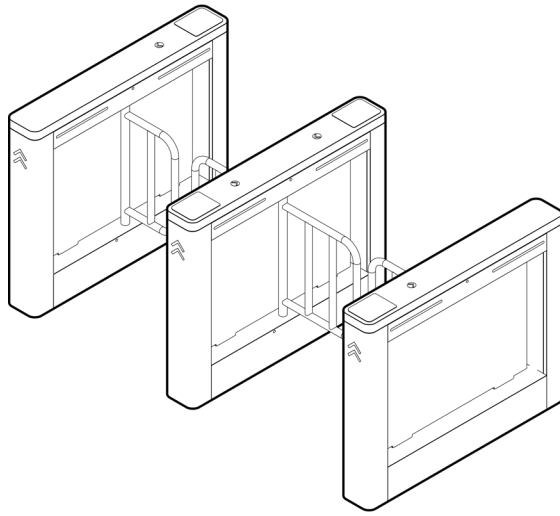
Access indicator light, voice broadcast, and other acousto-optic linkage reminders, making access more comfortable and easier

- **Automatic management functions**

Integrate automatic reset, unlock when being powered off, self-check when being powered on, zero point correction, etc.



Dimensions (mm)



Product Specifications

Product Model	FJC-Z2318
Body Material	304 stainless steel
Gate Material	Stainless steel or acrylic
Dimensions (L*W*H)	1,200*180*980mm
Lane Width	600/700/800/900mm
Gate Interception Height	782mm
Gate Height from the Ground	245mm
Power Supply	AC 220V/110V±10%, 50/60HZ
Device Power	The motor power is 40W and the total power is 100W
Passing Speed	20 persons/minute when normally closed, 40 persons/minute when normally opened
Open-closing Speed	0.5s-1.5s adjustable
Detection Method	Photoelectric switch
Number of Electric eyes	7 pairs
Communication Interface	Serial port and multi-channel I/O interface
Communication	RS485 and TCP/IP
Noise	≤65dB
Working Temperature	-25°C to +70°C
Working Humidity	≤90%, no condensation
Protection Class	IP54
Working Environment	Indoor and outdoor