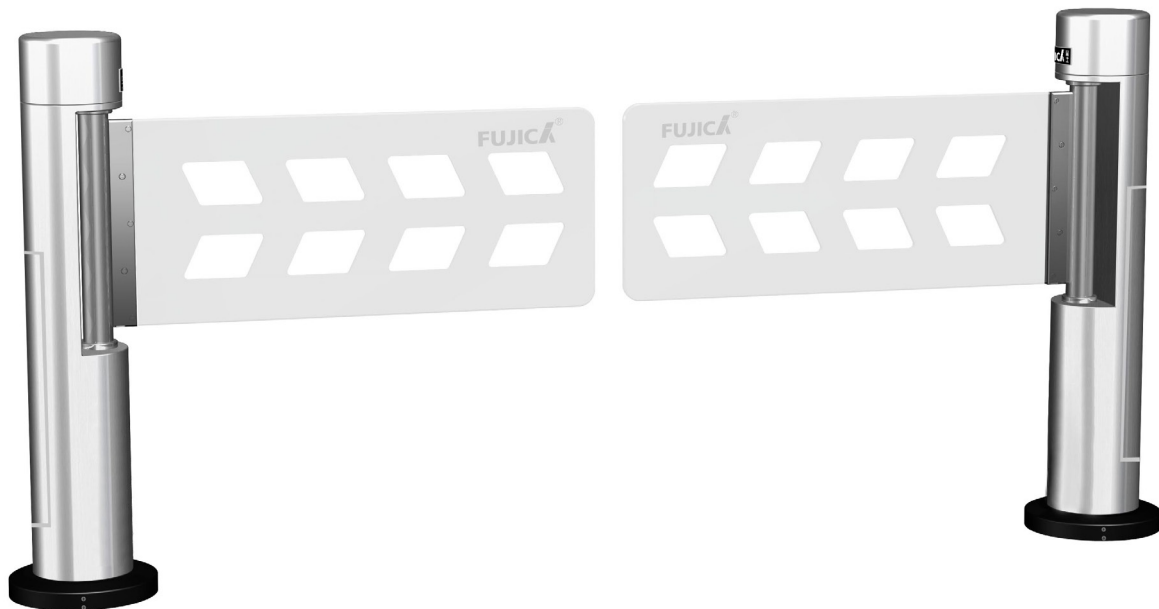


SWING GATE

FJC-Z2148L

The FJC-Z2148L column-type intelligent swing gate is made of stainless steel, and is characterized with a beautiful appearance, firm structure, easy deployment, and durability. It can be selectively matched with various door access control devices, such as door access control managers, face recognition apparatuses, and fingerprint recognition apparatuses, to achieve the door access control function, and can also achieve some additional functions such as attendance and charging. It is applied to places where pedestrian flow control is required, such as gates, subways, stations, docks, clubs, and hotels, etc., to effectively manage and control pedestrian flow.





Application Scenarios



Community



Factory



Bank



Hotel



Airport



Office Building



Key Features

- **Solid body**

Made of 304 stainless steel, corrosion resistant, wear resistant, high temperature resistant, oxidation resistant, and durable

- **DC motor driving**

Supporting door opening by card (ID card / NFC card / CPU card swiping, QR code, password, and Bluetooth).

- **Diversified access rights**

Selectively matched with a variety of door access control devices, expandable to access control authentication functions such as face recognition, card swiping, and QR code swiping

- **Automatic protection**

When blocked by an external force, the bar will fall automatically and alarm to prevent device from damaging and personal injury

- **Remote control and management**

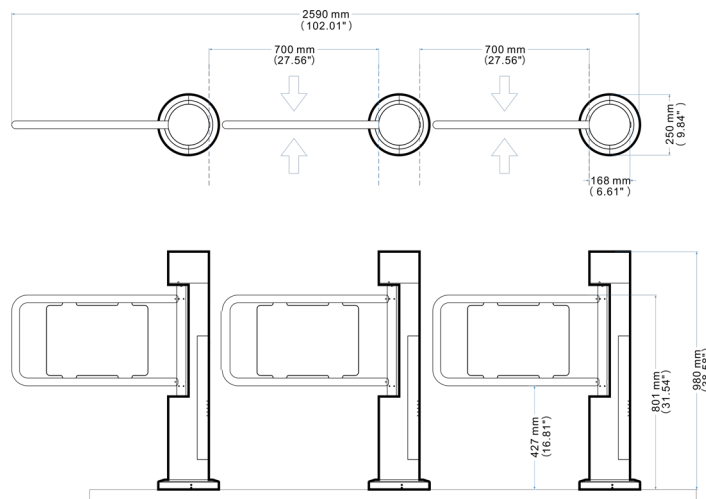
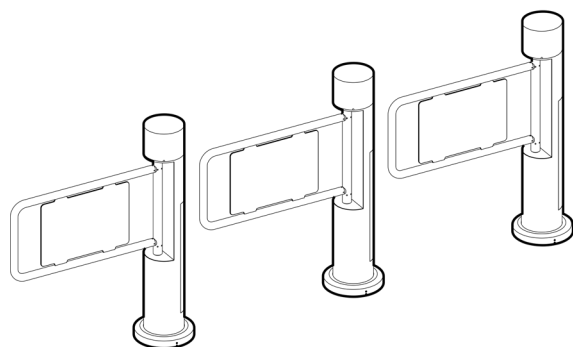
Unified external interface connected with other read-write device, to achieve remote control and management

- **Unidirectional or opposing traffic**

The Gate can be swung by $\pm 90^\circ$, and support one-way or two-way access.



Dimensions (mm)



Product Specifications

Product Model	FJC-Z2148L
Body Material	The body is made of brushed stainless steel, and the gate is made of stainless steel or acrylic plate
Body Size	Diameter: 168, height: 980mm
Body Appearance	The body is cylindrical and the gate is bent or rectangularly flat
Swinging Angle	90° (one-way access) and ±90° (two-way access) optional
Total Power	50W
Communication Interface	RS485 or TCP/IP
Access Speed	25 persons/minute
MCBF	3 million times
Input Interface	Switching value; 12V level signal (pulse width > 100ms)
Ambient Temperature	-30°C to +70°C
Relative Humidity	≤95%, no condensation
Power Supply Parameter	AC220V±10% 50Hz