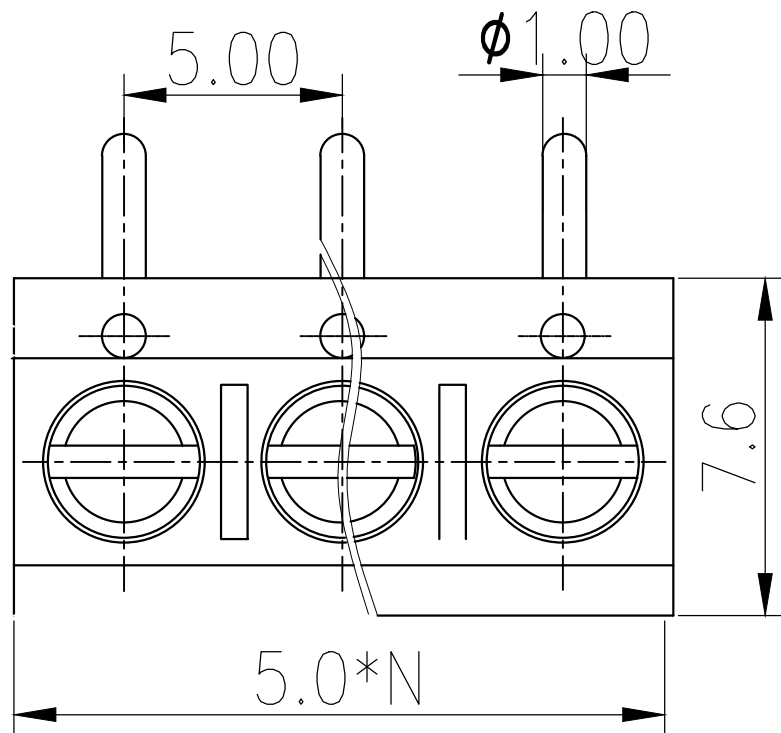
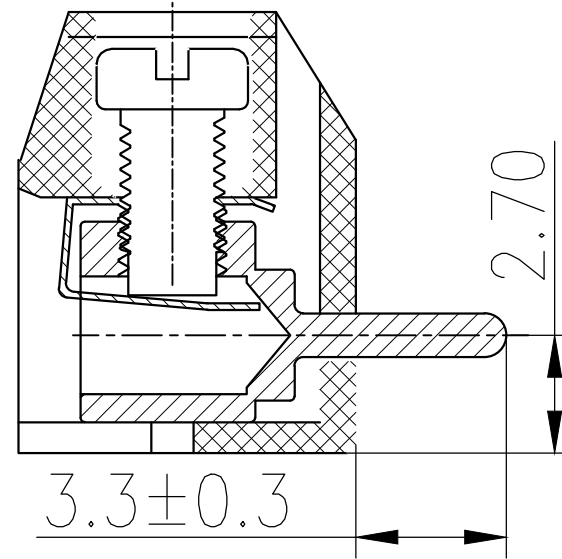


SECTION A-A



PCB LAYOUT

