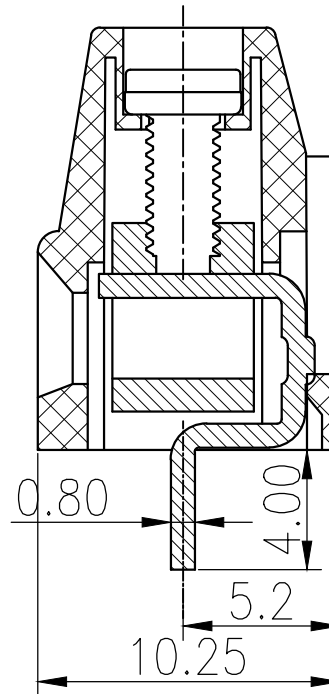
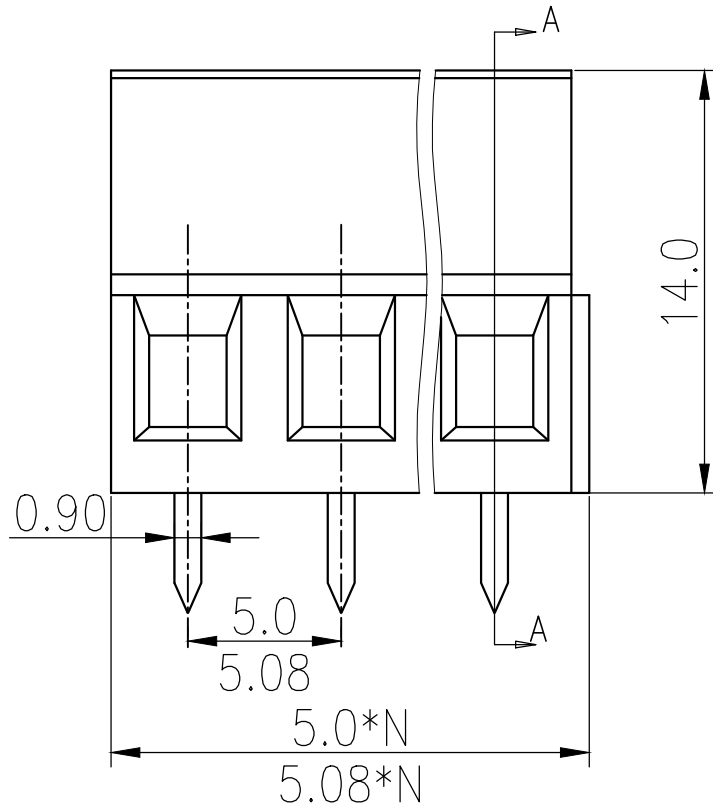
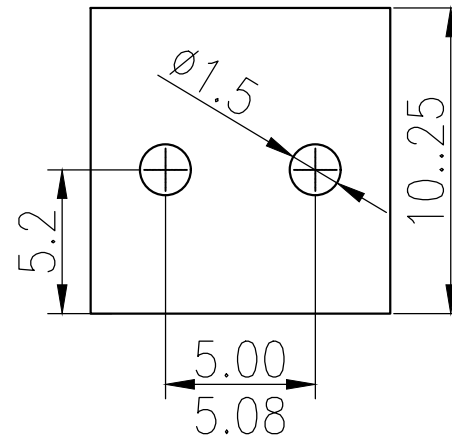


PCB LAYOUT



SECTION A-A