

**AUTOMATIC
SENSOR URINAL
FLUSH VALVE**

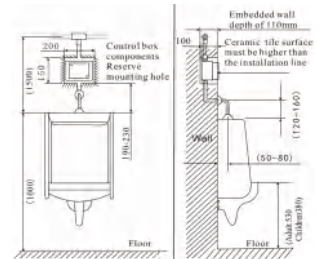
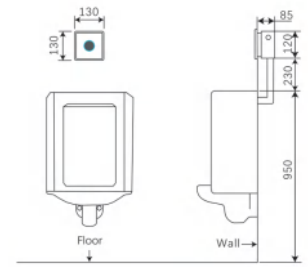




107.0922

AUTOMATIC SENSOR URINAL FLUSH VALVE

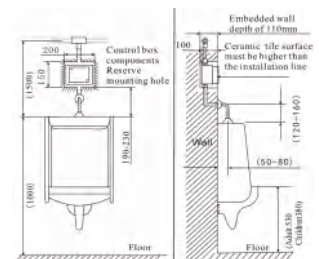
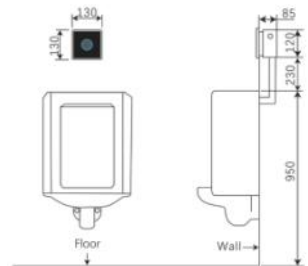
- IR Sensor + Touchpad activation
- LED display
- SS 304 anti-fingerprint panel, high grade chrome plating frame
- AC100-240V power supply only
- Anti-mirror or stainless steel strong reflection
- Water pressure 0.05 MPa – 0.80 MPa
- Water temperature 1-65 °C
- Sensing distance 70 cm - automatic adjustment
- G1/2" Water inlet connection
- Certification CE certificate
ROHS certificate



107.0923

AUTOMATIC SENSOR URINAL FLUSH VALVE

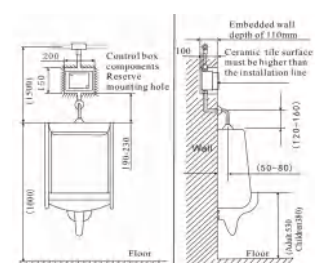
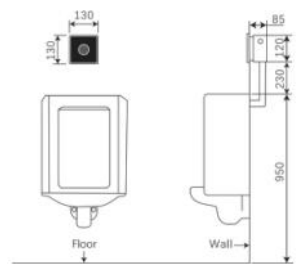
- IR Sensor + Touchpad activation
- LED display
- Black tempered glass magnetic panel, high grade chrome plating frame
- AC100-240V power supply only
- Anti-mirror or stainless steel strong reflection
- Water pressure 0.05 MPa – 0.80 MPa
- Water temperature 1-65 °C
- Sensing distance 70 cm - automatic adjustment
- G1/2" Water inlet connection
- Certification CE certificate
ROHS certificate



107.0924

AUTOMATIC SENSOR URINAL FLUSH VALVE

- IR Sensor + Touchpad activation
- Black tempered glass magnetic panel, high grade chrome plating frame
- Power supply AC100-240V/DC 6V
- Anti-mirror or stainless steel strong reflection
- Water pressure 0.05 MPa – 0.80 MPa
- Water temperature 1-65 °C
- Sensing distance 70 cm - automatic adjustment
- G1/2" Water inlet connection
- Certification CE certificate
ROHS certificate

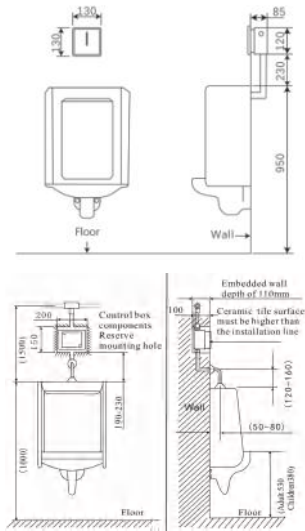




107.0926

AUTOMATIC SENSOR URINAL FLUSH VALVE

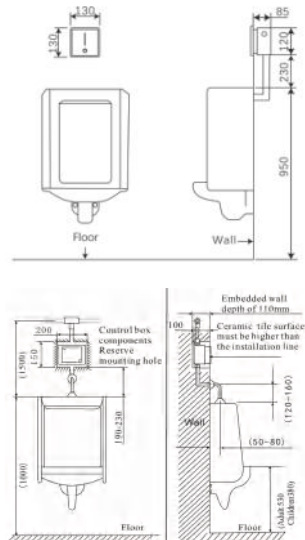
- IR Sensor activation
- SS 304 anti-fingerprint panel, high grade chrome plating frame
- Power supply AC100-240V/DC 6V
- Anti-mirror or stainless steel strong reflection
- Water pressure 0.05 MPa – 0.80 MPa
- Water temperature 1-65 C
- Sensing distance 70 cm - automatic adjustment
- G1/2" Water inlet connection
- Certification CE certificate
ROHS certificate



107.0927

AUTOMATIC SENSOR URINAL FLUSH VALVE

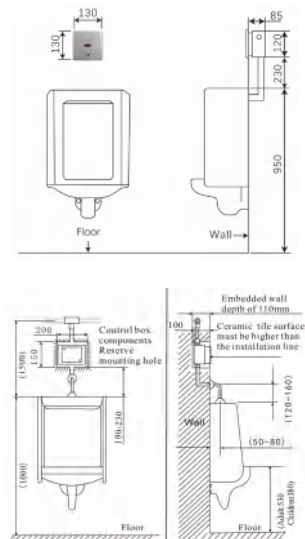
- IR Sensor + Button activation
- SS 304 anti-fingerprint panel, high grade chrome plating frame
- Power supply AC100-240V/DC 6V
- Anti-mirror or stainless steel strong reflection
- Water pressure 0.05 MPa – 0.80 MPa
- Water temperature 1-65 C
- Sensing distance 70 cm - automatic adjustment
- G1/2" Water inlet connection
- Certification CE certificate
ROHS certificate



107.0901

AUTOMATIC SENSOR URINAL FLUSH VALVE

- IR Sensor + Button activation
- SS 304 anti-fingerprint panel
- Eco Power supply DC 3.6V
- Anti-mirror or stainless steel strong reflection
- Water flow rate 0.5L/flush
- Water pressure 0.05 MPa – 0.80 MPa
- Water temperature 1-65 C
- Sensing distance 70 cm - automatic adjustment
- G1/2" Water inlet connection
- Certification CE certificate
ROHS certificate

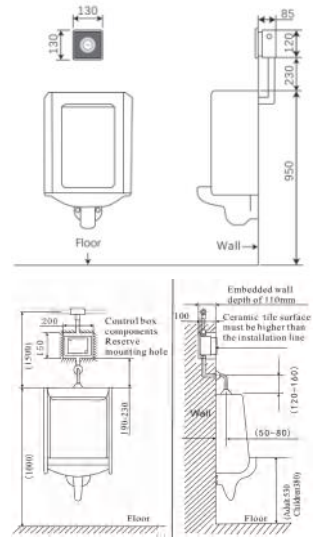




107.0906

AUTOMATIC SENSOR URINAL FLUSH VALVE

- IR Sensor + mechanical button activation
- LED display
- Black tempered glass magnetic panel, SS 304 mirror frame
- Power supply AC100-240V
- Anti-mirror or stainless steel strong reflection
- Water pressure 0.05 MPa – 0.80 MPa
- Water temperature 1-65 C
- Sensing distance 70 cm - automatic adjustment
- G1/2" Water inlet connection
- Certification CE certificate
ROHS certificate

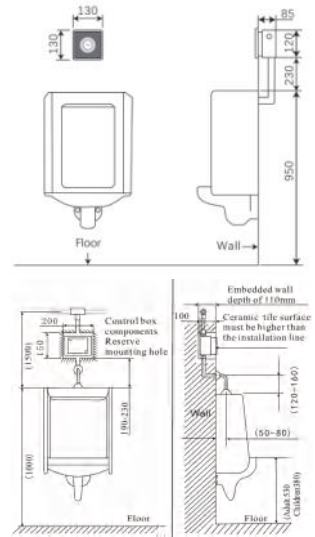


107.0905

AUTOMATIC SENSOR URINAL FLUSH VALVE



- IR Sensor + mechanical button activation
- Black tempered glass magnetic panel, SS 304 mirror frame
- Power supply AC100-240V/DC 6V
- Anti-mirror or stainless steel strong reflection
- Water pressure 0.05 MPa – 0.80 MPa
- Water temperature 1-65 C
- Sensing distance 70 cm - automatic adjustment
- G1/2" Water inlet connection
- Certification CE certificate
ROHS certificate

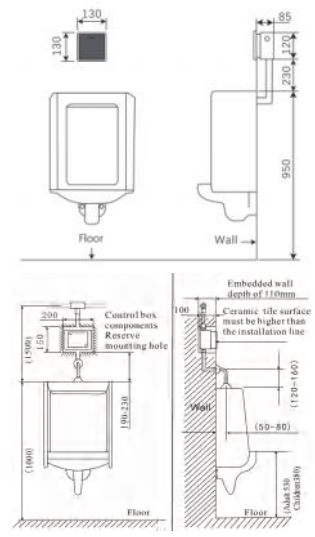


107.0907

AUTOMATIC SENSOR URINAL FLUSH VALVE



- IR Sensor activation
- Black tempered glass magnetic panel, SS 304 mirror frame
- Power supply AC100-240V/DC 6V
- Anti-mirror or stainless steel strong reflection
- Water pressure 0.05 MPa – 0.80 MPa
- Water temperature 1-65 C
- Sensing distance 70 cm - automatic adjustment
- G1/2" Water inlet connection
- Certification CE certificate
ROHS certificate

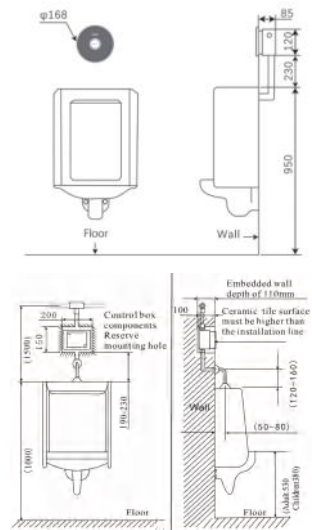




107.0920

AUTOMATIC SENSOR URINAL FLUSH VALVE

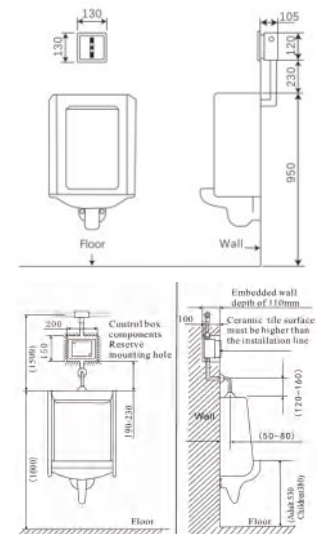
- IR Sensor + mechanical button activation
- Black tempered glass magnetic panel, aluminum-alloy frame
- Power supply AC100-240V/DC 6V
- Anti-mirror or stainless steel strong reflection
- Water pressure 0.05 MPa – 0.80 MPa
- Water temperature 1-65 C
- Sensing distance 70 cm - automatic adjustment
- G1/2" Water inlet connection
- Certification CE certificate
ROHS certificate



107.0903

AUTOMATIC SENSOR URINAL FLUSH VALVE

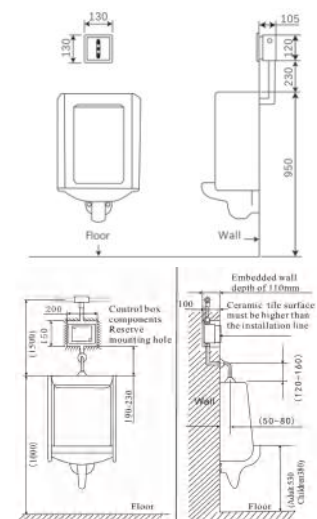
- IR Sensor activation
- SS 304 Stainless steel mirror panel, High grade chrome plating frame
- Power supply AC100-240V/DC 6V
- Anti-mirror or stainless steel strong reflection
- Water pressure 0.05 MPa – 0.80 MPa
- Water temperature 1-65 C
- Sensing distance 70 cm - automatic adjustment
- G1/2" Water inlet connection
- Certification CE certificate
ROHS certificate



107.0904

AUTOMATIC SENSOR URINAL FLUSH VALVE

- IR Sensor activation
- SS 304 Stainless steel mirror panel, High grade chrome plating frame
- Power supply AC100-240V/DC 6V
- Anti-mirror or stainless steel strong reflection
- Water pressure 0.05 MPa – 0.80 MPa
- Water temperature 1-65 C
- Sensing distance 70 cm - automatic adjustment
- G1/2" Water inlet connection
- Certification CE certificate
ROHS certificate



107.0911

AUTOMATIC SENSOR URINAL FLUSH VALVE



- IR Sensor activation
- External filter and water regulating valve
Power supply DC 6V
- Water pressure 0.05 MPa – 0.80 MPa
- Water temperature 1-65 °C
- Sensing distance 70 cm - automatic adjustment
- G1/2" Water inlet connection
- Certification CE certificate
ROHS certificate

