



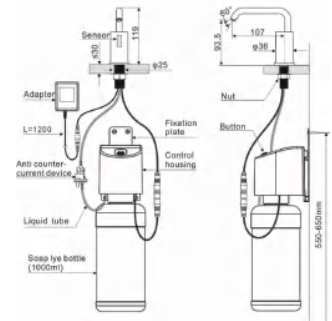
**AUTOMATIC SENSOR
SOAP DISPENSER** SERIES



107.5.801

AUTOMATIC SENSOR SOAP DISPENSER

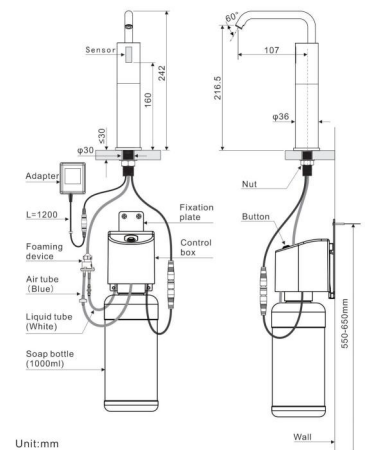
- IR Sensor activation
- Power supply AC100-240V/DC 6V
- Foam / Liquid optional
- 1000ml bottle capacity, output volume 0.6-2.0ml/cycle,
- Suitable soap viscosity Foam: 1-17cps ; Liquid: 100-3500cps
- Suitable soap PH 5-9
- Certification CE certificate
ROHS certificate



107.5.801H

AUTOMATIC SENSOR SOAP DISPENSER

- IR Sensor activation
- Power supply AC100-240V/DC 6V
- Foam / Liquid optional
- 1000ml bottle capacity, output volume 0.6-2.0ml/cycle,
- Suitable soap viscosity Foam: 1-17cps ; Liquid: 100-3500cps
- Suitable soap PH 5-9
- Certification CE certificate
ROHS certificate



Unit:mm

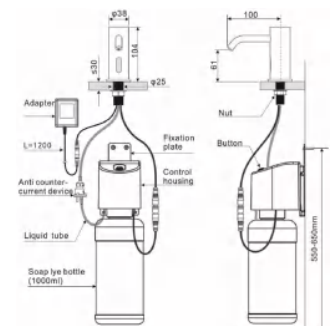
Wall



107.5.802

AUTOMATIC SENSOR SOAP DISPENSER

- IR Sensor activation
- Power supply AC100-240V/DC 6V
- Foam / Liquid optional
- 1000ml bottle capacity, output volume 0.6-2.0ml/cycle,
- Suitable soap viscosity Foam: 1-17cps ; Liquid: 100-3500cps
- Suitable soap PH 5-9
- Certification CE certificate
ROHS certificate

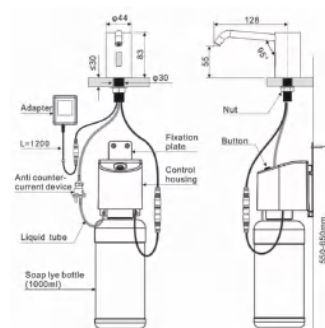


107.5.803

AUTOMATIC SENSOR SOAP DISPENSER



- IR Sensor activation
- Power supply AC100-240V/DC 6V
- Foam / Liquid optional
- 1000ml bottle capacity, output volume 0.6-2.0ml/cycle,
- Suitable soap viscosity Foam: 1-17cps ; Liquid: 100-3500cps
- Suitable soap PH 5-9
- Certification CE certificate
ROHS certificate

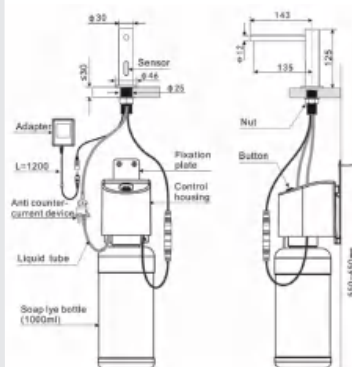


107.5.804

AUTOMATIC SENSOR SOAP DISPENSER



- IR Sensor activation
- Power supply AC100-240V/DC 6V
- Foam / Liquid optional
- 1000ml bottle capacity, output volume 0.6-2.0ml/cycle,
- Suitable soap viscosity Foam: 1-17cps ; Liquid: 100-3500cps
- Suitable soap PH 5-9
- Certification CE certificate
ROHS certificate

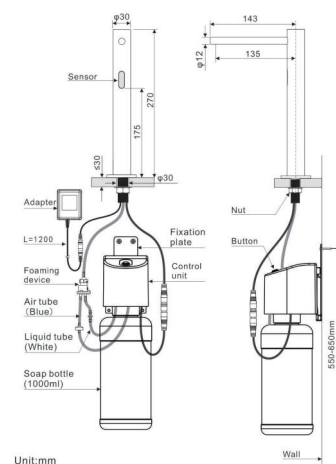


107.5.804H

AUTOMATIC SENSOR SOAP DISPENSER



- IR Sensor activation
- Power supply AC100-240V/DC 6V
- Foam / Liquid optional
- 1000ml bottle capacity, output volume 0.6-2.0ml/cycle,
- Suitable soap viscosity Foam: 1-17cps ; Liquid: 100-3500cps
- Suitable soap PH 5-9
- Certification CE certificate
ROHS certificate



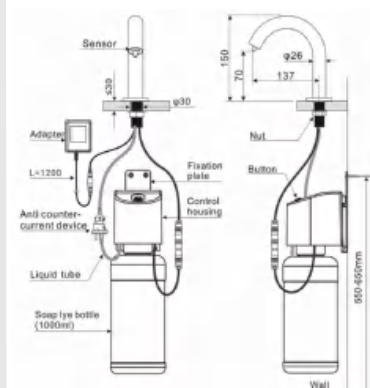
Unit:mm



107.5.805

AUTOMATIC SENSOR SOAP DISPENSER

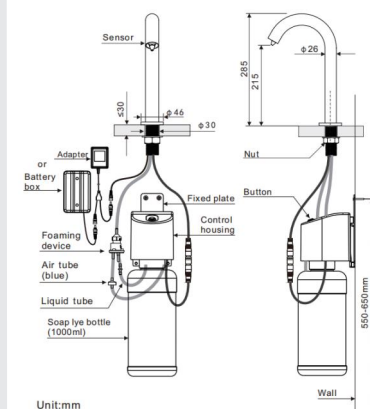
- IR Sensor activation
- Power supply AC100-240V/DC 6V
- Foam / Liquid optional
- 1000ml bottle capacity, output volume 0.6-2.0ml/cycle,
- Suitable soap viscosity Foam: 1-17cps ; Liquid: 100-3500cps
- Suitable soap PH 5-9
- Certification CE certificate
ROHS certificate



107.5.805H

AUTOMATIC SENSOR SOAP DISPENSER

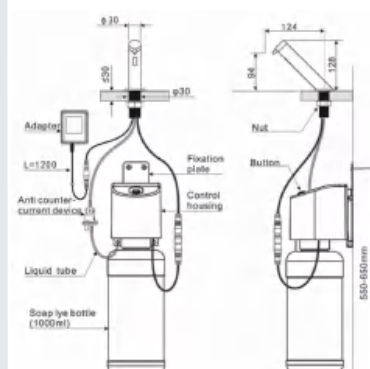
- IR Sensor activation
- Power supply AC100-240V/DC 6V
- Foam / Liquid optional
- 1000ml bottle capacity, output volume 0.6-2.0ml/cycle,
- Suitable soap viscosity Foam: 1-17cps ; Liquid: 100-3500cps
- Suitable soap PH 5-9
- Certification CE certificate
ROHS certificate



107.5.806

AUTOMATIC SENSOR SOAP DISPENSER

- IR Sensor activation
- Power supply AC100-240V/DC 6V
- Foam / Liquid optional
- 1000ml bottle capacity, output volume 0.6-2.0ml/cycle,
- Suitable soap viscosity Foam: 1-17cps ; Liquid: 100-3500cps
- Suitable soap PH 5-9
- Certification CE certificate
ROHS certificate

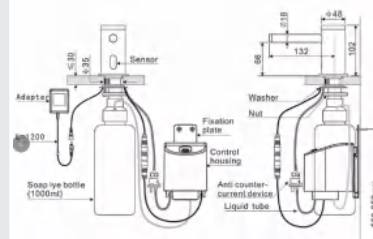


107.5.807

AUTOMATIC SENSOR SOAP DISPENSER



- IR Sensor activation
 - Power supply AC100-240V/DC 6V
 - Foam / Liquid optional
 - Top liquid refilled
 - 1000ml bottle capacity, output volume 0.6-2.0ml/cycle,
 - Suitable soap viscosity Foam: 1-17cps ; Liquid: 100-3500cps
 - Suitable soap PH 5-9
- Certification CE certificate
 ROHS certificate

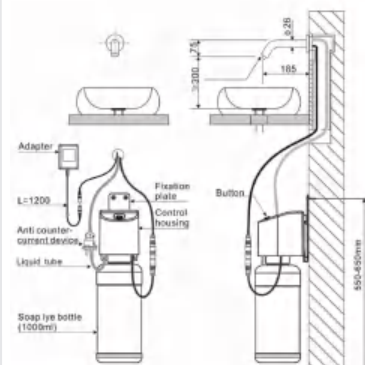


107.5.808

AUTOMATIC SENSOR SOAP DISPENSER



- IR Sensor activation
 - Power supply AC100-240V/DC 6V
 - Foam / Liquid optional
 - 1000ml bottle capacity, output volume 0.6-2.0ml/cycle,
 - Suitable soap viscosity Foam: 1-17cps ; Liquid: 100-3500cps
 - Suitable soap PH 5-9
- Certification CE certificate
 ROHS certificate

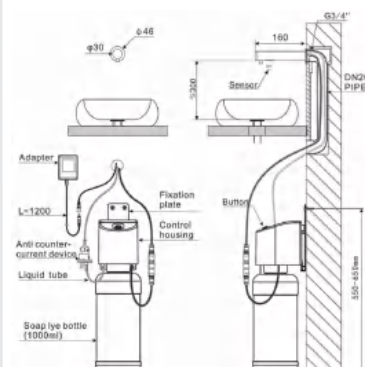


107.5.809

AUTOMATIC SENSOR SOAP DISPENSER



- IR Sensor activation
 - Power supply AC100-240V/DC 6V
 - Foam / Liquid optional
 - 1000ml bottle capacity, output volume 0.6-2.0ml/cycle,
 - Suitable soap viscosity Foam: 1-17cps ; Liquid: 100-3500cps
 - Suitable soap PH 5-9
- Certification CE certificate
 ROHS certificate

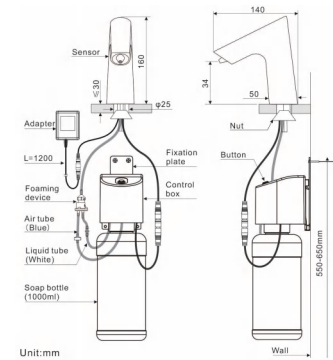




107.5.810

AUTOMATIC SENSOR SOAP DISPENSER

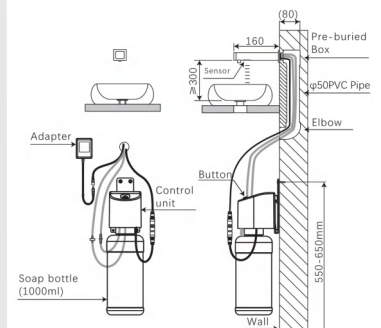
- IR Sensor activation
- Power supply AC100-240V/DC 6V
- Foam / Liquid optional
- 1000ml bottle capacity, output volume 0.6-2.0ml/cycle,
- Suitable soap viscosity Foam: 1-17cps ; Liquid: 100-3500cps
- Suitable soap PH 5-9
- Certification CE certificate
ROHS certificate



107.5.811

AUTOMATIC SENSOR SOAP DISPENSER

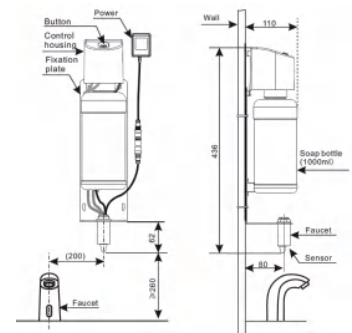
- IR Sensor activation
- Power supply AC100-240V/DC 6V
- Foam / Liquid optional
- 1000ml bottle capacity, output volume 0.6-2.0ml/cycle,
- Suitable soap viscosity Foam: 1-17cps ; Liquid: 100-3500cps
- Suitable soap PH 5-9
- Certification CE certificate
ROHS certificate



107.5.820

AUTOMATIC SENSOR SOAP DISPENSER

- IR Sensor activation
- Power supply AC100-240V/DC 6V
- Install behind the mirror
- Foam / Liquid optional
- 1000ml bottle capacity, output volume 0.6-2.0ml/cycle,
- Suitable soap viscosity Foam: 1-17cps ; Liquid: 100-3500cps
- Suitable soap PH 5-9
- Certification CE certificate
ROHS certificate

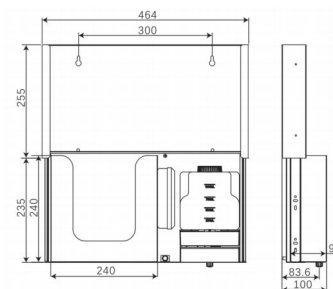


107.5.821

AUTOMATIC SENSOR SOAP DISPENSER WITH PAPER TOWEL DISPENSER



- IR Sensor activation
- Power supply AC100-240V/DC 6V
- Install behind the mirror, pull down type,
- Anti strong reflection from the countertop
- LED light display, with low soap indicator
- Foam / Liquid optional
- 1000ml bottle capacity, output volume 0.6-2.0ml/cycle,
- Suitable soap viscosity Foam: 1-17cps ; Liquid: 100-3500cps
- Suitable soap PH 5-9
- Paper capacity 400 sheets
- Certification CE certificate
ROHS certificate

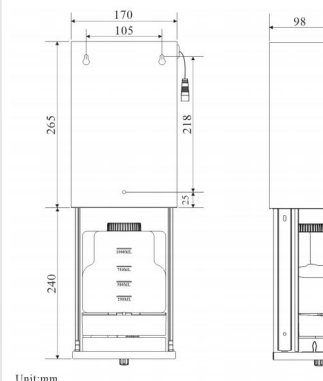


107.5.822

AUTOMATIC SENSOR SOAP DISPENSER



- IR Sensor activation
- Power supply AC100-240V/DC 6V
- Install behind the mirror, pull down type,
- Anti strong reflection from the countertop
- LED light display, with low soap indicator
- Foam / Liquid optional
- 1000ml bottle capacity, output volume 0.6-2.0ml/cycle,
- Suitable soap viscosity Foam: 1-17cps ; Liquid: 100-3500cps
- Suitable soap PH 5-9
- Certification CE certificate
ROHS certificate



Unit:mm