

RM69700 Datasheet

Single Chip Driver with 16.7M color
for 1600RGBx2560 OLED driver

Revision : 0.4

Date : Mar. 19, 2018

Revision History

Version	Date	Description	Page
0.1	2017/8/29	First release	
0.2	2017/10/27	1. To add voltage step description for VGMP/VGSP/VREFP/VREFN/ OVDD_INT/OVSS_INT 2. To add note for IM[0] pin 3. To add PPS section 4. To add MIPI data type table 5. To add restriction for 2C00h and 3C00h 6. To correct typo in Absolute Maximum Ratings 7. To add Timing skew between Port A and B 8. To modify timing specification of Video Mode 9. To update power on/off timing parameters and diagram	P8 P13 P35,36 P43,44 P63,71 P101 P109 P112 P115,116
0.3	2017/1/15	To update GOA Pin Assignment bit number To add MTP_PWR Description To update MIPI A/B skew	
0.3	2017/1/23	To add FA00h setting To update FE00h	
0.4	2018/3/19	To add MIPI Video mode format To add MIPI Video mode timing	

Table of Contents

1. General Description	6
2. Features	7
3. Block Diagram	10
4. Pin Description	11
4.1 Power Supply Pins	11
4.2 SPI/I2C Interface Pins	11
4.3 MIPI Interface Pins	11
4.4 Interface Logic Pins	12
4.5 Regulator Outputs and DC/DC Convert Pins	13
4.6 Driver Output and Bonding Test Pins	14
4.7 Test Pins	14
5. Function Description	16
5.1 DBI Type-C Serial Interface	16
5.1.1 3-Wire 16-Bit SPI Write/Read Cycle and Sequence	17
5.1.2 Break and Pause Sequence	18
5.2 I2C Interface	19
5.3 Display Serial Interface (DSI)	19
5.3.1 Video Mode Format Support	21
5.3.2 Multi-Lane Distribution and Merging	22
5.3.3 DSI System Configuration	23
5.3.4 Multiple Packet per Transmission	24
5.3.5 Packet Composition	25
5.3.6 Processor-to-Peripheral Transactions	27
5.3.7 Packed Pixel Stream Format	29
5.3.8 Peripheral-to-Processor (Reverse Direction) LP Transactions	31
5.3.9 Peripheral-to-Processor Transaction – Detail Format Description	33
5.4 Tearing Effect Output	35
5.5 Picture Parameter Set (PPS)	36
5.5.1 Compression Mode Command, Data Type = 00 0111 (0x07)	36
5.5.2 Picture Parameter Set (0x0A)	36
5.5.3 Compressed Pixel Stream, Long Packet, Data Type = 00 1011 (0x0B)	37
5.6 Digital 3-Gamma Adjustment	38
6. Command	39
6.1 Command List	39
6.2 Command Description	46
NOP (0000h): No Operation	46
SWRESET (0100h): Software Reset	47
RDDID (0400h): Read Display ID	48
RDNUMED (0500h): Read Number of Errors on DSI	49
RDDPM (0A00h): Read Display Power Mode	50

RDDMADCTL (0B00h): Read Display MADCTL	51
RDDCOLMOD (0C00h): Read Display Pixel Format	52
RDDIM (0D00h): Read Display Image Mode	53
RDDSM (0E00h): Read Display Signal Mode	54
RDDSDR (0F00h): Read Display Self-Diagnostic Result	55
SLPIN (1000h): Sleep In	56
SLPOUT (1100h): Sleep Out	57
INVOFF (2000H): Exit Invert Mode.....	58
INVON (2100H): Enter Invert Mode	59
ALLPOFF (2200h): All Pixel Off	60
ALLPON (2300h): All Pixel On.....	61
DISPOFF (2800h): Set Display Off.....	62
DISPON (2900h): Set Display On	63
RAMWR (2C00h): Memory Write	64
TEOFF (3400h): Tearing Effect Line OFF	65
TEON (3500h): Tearing Effect Line ON	66
MADCTL (3600h): Memory Data Access Control	67
IDMOFF (3800h): Exit Idle Mode	69
IDMON (3900h): Enter Idle Mode.....	70
COLMOD (3A00h): Interface Pixel Format	71
RAMWRC (3C00h): Memory Write Continue.....	72
STESL(4400h): Set Tear Scan Line.....	73
GSL (4500h): Get Scan Line	74
DSTBON (4F00h): Deep Standby Mode On	75
WRDISBV (5100h): Write Display Brightness	76
RDDISBV (5200h): Read Display Brightness	77
WRHBMBC (5300h): Select HBM and Enable BC Control	78
RDHBMBC (5400h): Read HBM and BC Control.....	79
WRRADACL (5500h): Write RAD_ACL Control.....	80
RDRADACL (5600h): Read RAD_ACL Control.....	81
WRCE (5800h): Write Color Enhancement Control.....	82
RDCE (5900h): Read Color Enhancement Control.....	83
WRCE1 (5A00h): Write CE1.....	84
RDCE1 (5B00h): Read Color Enhancement Control	85
WRCE2 (5C00h): Write CE2	86
RDCE2 (5D00h): Read CE2.....	87
WRCTS (6200h): Write Color Temperature Shift	88
RDCTS (6300h): Read Color Temperature Shift.....	89
WRPAPER (6400h): Write Paper Mode Setting	90
RDPAPE (6500h): Read Paper Mode Setting	91
WRWB (6600h): Write White Balance Control	92
RDWB (6700h): Read White Balance Control	93
RDDDBS (A100h): Read DDB Start	94
RDDDBC (A800h): Read DDB Continuous	95
SETDSIMODE (C200h): Set DSI Mode.....	96
RDID1 (DA00h): Read ID1.....	97
RDID2(DB00h) : Read ID2.....	98
RDID3(DC00h) : Read ID3.....	99
VESA(FA00h) : VESA function.....	100
WRCMDPAGE (FE00h): Write CMD Page.....	101
RDCMDPAGE (FF00h): Read CMD Page.....	102

7. Electrical Characteristics.....103

7.1 Absolute Maximum Ratings..... 103

7.2	ESD Protection Level	103
7.3	Latch-Up Protection Level.....	103
7.4	Max Series Resistance	104
7.5	DC Characteristics	105
7.6	DSI Timing Characteristics	106
7.6.1	Receiver Characteristics	106
7.6.2	Transmitter Characteristics	108
7.6.3	DSI Timing Specification	110
7.6.4	Video Mode Interface Timing Specification	113
7.7	SPI Timing Characteristics	116
7.8	Reset Timing Characteristics	117
8.	<i>Power Structure and On/Off Sequence</i>	<i>118</i>
8.1	Power Mode Summary.....	118
8.2	Power Generation for 2-Power Mode	119
8.3	Application Circuit for 2-Power Mode	120
9.	<i>Pad Diagram for COG</i>	<i>122</i>

CONFIDENTIAL

1. General Description

The RM69700 device is a single chip solution for LTPS AMOLED that incorporates gate drivers and is capable of 1600RGBx2560, 1440RGBx2560, 1440RGBx2880, and 1440RGBx3200 operations with embedded GRAM. It utilizes SPR (sub pixel rendering) algorithm to reduce sub-pixel numbers while keeping the same picture quality. In addition to 1600RGBx2560 and 1440RGBx2560 with SPR to emulate WQXGA and WQHD resolution, this LSI also supports real FHD with 1080RGBx1920 resolution. It includes internal frame memory, a timing controller with glass interface level-shifters and a glass power supply circuits.

The RM69700 is also able to make gamma correction settings separately for RGB dots to allow benign adjustments according to panel characteristics, resulting in higher display qualities. The IC possesses internal GRAM that stores 1400RGBx3200-dot 16.77M-color images.

For the normal operation mode, the built-in auto-current limit and dynamic OLED power control are provided for the power saving. For the standby mode, the deep standby mode is supported for ultra low power consumption.

This LSI is very suitable for small and medium-sized portable mobile solutions requiring long-term driving capabilities especially for cellular phone application.

CONFIDENTIAL

2. Features

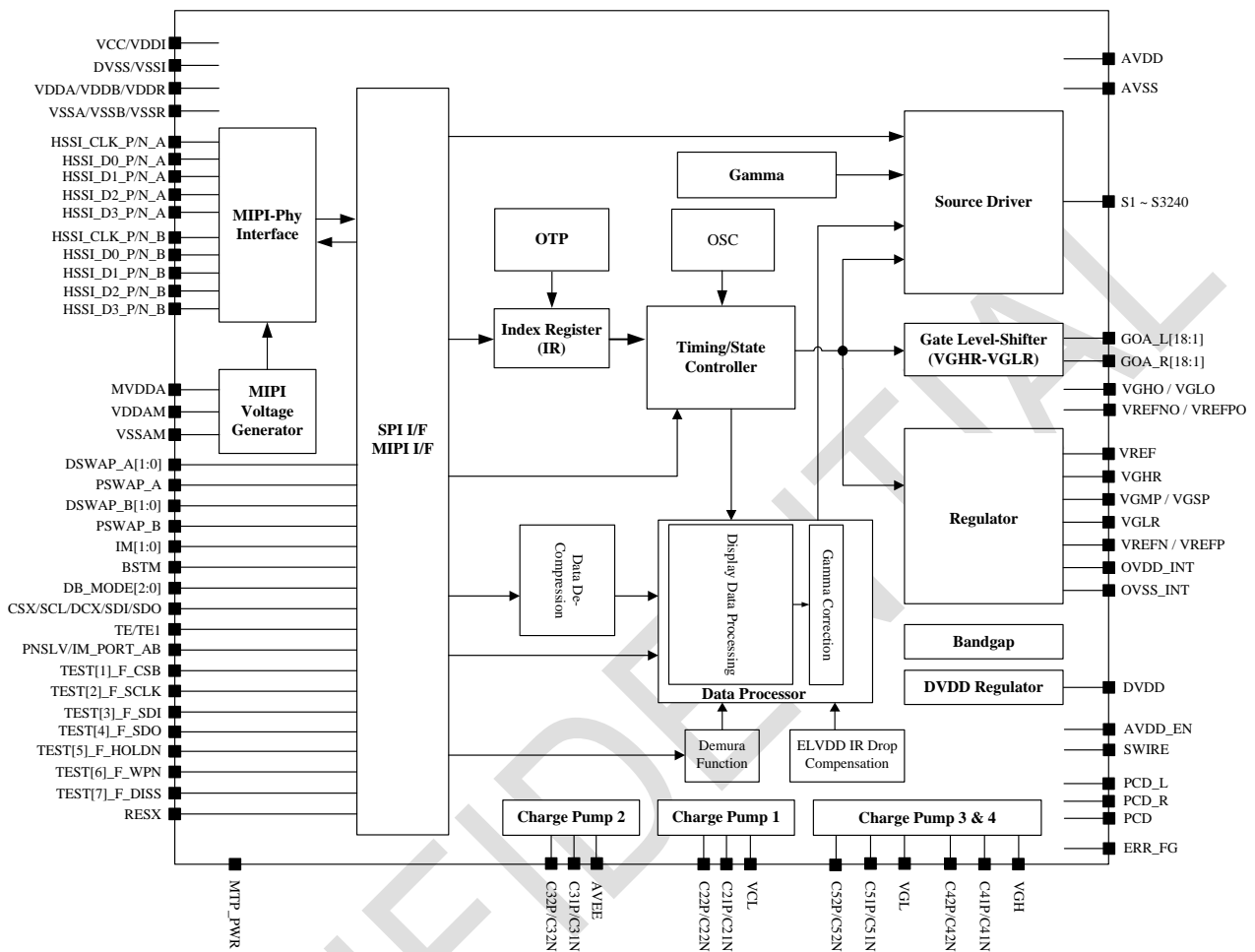
- Single chip with RAM for WQHD/WQHD+/WQXGA AMOLED controller/driver
- Display resolution option
 - WQXGA SPR (1600 x 2 x 2560)
 - WQHD/WQHD+ SPR (1440 x 2 x 2560/ 2880/ 3040/ 3200)
 - FHD Real (1080 x 3 x 1920)
- Channel Option
 - Support 3240/3200/3072/2880/2700/2560/2400/2160ch
- Display mode (Color mode)
 - Full color mode: 16.7M colors (24-bit)
 - Reduce color mode: 262K colors (18-bit)
 - Reduce color mode: 65K colors (16-bit)
 - Idle mode: 8 colors
- Interface
 - 3-wire SPI
 - I2C interface (SCL/SDA)
 - MIPI D-PHY Interface:
 - MIPI 2 ports, total 8 data lanes (Maximum data rate is 1Gbps/lane for HSST)
 - 2 ports for input data without compression (WQXGA or WQHD)
 - 1 port for input data with 1/3 VESA compression (WQXGA or WQHD)
 - 1 port for input data without compression (FHD only)
- Abundant color display and drawing functions
 - Programmable gamma correction function for 16.7 million color display
 - Individual gamma correction setting for RGB dots
 - Support High Brightness Mode (HBM) function
 - Support Brightness Control
- Color Enhancement
 - Saturation Enhancement
 - Brightness Enhancement
 - Skin-Tone and Local Hue Adjustment
 - 2-Dimensional Sharpness Enhancement
 - Contrast Enhancement
 - White Balance Adjustment
 - High Dynamic Range (HDR)
- Rendering IP
 - Support RGBG and RGB delta types
- Power Saving Mode
 - Auto Current Limitation (ACL)
 - Dynamic ELVSS Control
- Peripheral Control Timing and Power Generator
 - Internal oscillator

- 3240ch source outputs
- Support programmable GOA control
- VGHR/VGLR voltage for GOA control signal
- VREFP/VREFN voltage generator for OLED panel voltage
- Internal Charge Pump for AVEE/VCL/VGH/VGL
- Support S-wire interface for power IC control
- Miscellaneous Function
 - Built-in OTP for adjusting gamma, GOA timing, power setting and etc.
 - Support PCD (Panel Crack Detection) function
 - Support AOD function with built-in OVDD/OVSS supply
 - Support Scaling Up function
- Operating Condition
 - Power Supply Input of Regulator and Interface Logic, VDDI: 1.62V ~ 1.98V
 - Power Supply Input for DVDD/MVDDA Regulator, VCC/VDDAM: 1.62V ~ 1.98V
 - Power Supply Input for Analog Circuitry, VDDA/VDDDB/VDDR=VCI and AVDD:
VCI=2.7V ~ 3.6V, AVDD: 4.5V ~ 8.0V
 - Operating temperature: -40°C ~ 85°C
 - Storage temperature: -55°C ~ 125°C
- Output voltage levels
 - Positive gate driver voltage range for VGHR: 3V ~ 15V (Step = 0.1V)
 - Negative gate driver voltage range for VGLR: -3V ~ -15V (Step = -0.1V)
 - VREFP panel voltage range : 0.2V ~ AVDD-0.3V
(Step = 0.05V when VREFP<3V and 0.1V when VREFP>3V)
 - VREFN panel voltage range : -0.2V ~ AVEE+0.3V
(Step = -0.05V when VREFN> -3V and -0.1V when VREFN< -3V)
 - Gamma high/low voltage range:
 - VGMP: 2.0V ~ AVDD-0.3V (Step= 12.5mV)
 - VGSP: 0V, 0.2125V ~ 5V (Step= 12.5mV)
 - OVDD_INT/OVSS_INT voltage range for AOD application:
 - OVDD_INT: 0V, 2.0V ~ 7.6V (Step= 0.1V)
 - OVSS_INT: 0V, -0.2V ~ -6.4V (Step= -0.1V)
- Package: COF/COG/COP

■ Power Supply Specifications

No.	Item	Description	
1	Source Driver	3240 pins	
2	Gate control timing level shift	VGHR - VGLR	
3	Input Voltage	VDDI	1.62V ~ 1.98V (typical 1.8V)
		VCC, VDDAM	1.62V ~ 1.98V (typical 1.8V)
		VCI(=VDDA/VDDDB/VDDR)	2-Power mode: 2.7V ~ 3.6V
		AVDD	2-power mode: 4.5V ~ 8.0V
4	OLED Drive Voltages	VGMP	2.0V ~ (AVDD-0.3V)
		VGSP	0V, 0.3V ~ (AVDD-1.5V)
		VGHR	3V ~ 15V
		VGLR	-3V ~ -15V
		VREFP	0.2V ~ (AVDD-0.3V)
		VREFN	-0.2V ~ (AVEE+0.3V))
5	Internal Step-Up Circuits	AVEE	AVDD x-1
		VCL	VDDDB x-1
		VGH	x3: AVDD + VDDDB
			x4: AVDDx2
			x5: AVDD + VDDDB - AVEE
VGL	x6: AVDDx2 - AVEE		
	x-3: AVEE - VDDDB		
	x-4: AVEE - AVDD		
		x-5: AVEE - AVDD - VDDDB	
		x-6: AVEEx2 - AVDD	

3. Block Diagram



4. Pin Description

4.1 Power Supply Pins

Signal	I/O	Function
VDDA	P	Power supply for analog circuitry VDDDB, VDDA and VDDDR should be the same input voltage level
VDDDB	P	Power supply for DC/DC converter VDDDB, VDDA and VDDDR should be the same input voltage level
VDDDR	P	Power supply for regulator system VDDDB, VDDA and VDDDR should be the same input voltage level
VDDI	P	Power supply for interface system except MIPI interface
VDDAM	P	Power supply for interface system of MIPI interface
VCC	P	Power supply for DVDD regulator
VSSA	P	System ground for analog circuitry
VSSB	P	System ground for DC/DC converters
VSSR	P	System ground for regulators
VSSAM	P	System ground for internal MIPI analog circuits
VSSI	P	System ground for interface system except MIPI interface
DVSS	P	System ground for internal digital circuits
AVSS	P	System ground for driver output circuits
MTP_PWR	P	MTP programming power supply pin (6.0V typical) Must be left open or connected to ground in normal condition.
AVDD	P	Power supply for analog circuitry and driver outputs - 2-Power mode, this power is from power IC controlled by AVDD_EN

4.2 SPI/I2C Interface Pins

Signal	I/O	Function
CSX	I	(SPI) Chip select pin to enable SPI interface. If not used, please connect to VSSI.
WRX_SCL	I	(SPI) Synchronous clock input for input data latch. If not used, please connect to VSSI. (I2C) SCL clock input pin
DCX	I	(SPI) Indicator of input data types for 4-wire SPI I/F. If not used, please connect to VSSI.
SDI_RDX	I/O	(SPI) Serial data input signal. If not used, please leave this pin open. (I2C) SDA data pin (selectable input of open-drain)
SDO	O	Serial data output signal. The data is output on the rising/falling edge of the SCL signal. If not used, please leave this pin open.

4.3 MIPI Interface Pins

Signal	I/O	Function
HSSI_CLK_P_A HSSI_CLK_N_A	I	These pins are DSI-CLK+/- differential clock signals of Port -A. If not used, please connect these pins to VSSAM.
HSSI_D0_P_A HSSI_D0_N_A	I/O	These pins are DSI-D0+/- differential data signals of Port-A. If not used, please connect these pins to VSSAM.
HSSI_D1_P_A HSSI_D1_N_A	I/O	These pins are DSI-D1+/- differential data signals of Port-A. If not used, please connect these pins to VSSAM.
HSSI_D2_P_A	I/O	These pins are DSI-D2+/- differential data signals of Port-A. If not used, please connect

HSSI_D2_N_A		these pins to VSSAM.																																																																																																																																																																																																																								
HSSI_D3_P_A HSSI_D3_N_A	I/O	These pins are DSI-D3+/- differential data signals of Port-A if MIPI interface is used. If not used, please connect these pins to VSSAM.																																																																																																																																																																																																																								
HSSI_CLK_P_B HSSI_CLK_N_B	I	These pins are DSI-CLK+/- differential clock signals of Port-B. If not used, please connect these pins to VSSAM.																																																																																																																																																																																																																								
HSSI_D0_P_B HSSI_D0_N_B	I/O	-These pins are DSI-D0+/- differential data signals of Port-B. If not used, please connect these pins to VSSAM.																																																																																																																																																																																																																								
HSSI_D1_P_B HSSI_D1_N_B	I/O	-These pins are DSI-D1+/- differential data signals of Port-B. If not used, please connect these pins to VSSAM.																																																																																																																																																																																																																								
HSSI_D2_P_B HSSI_D2_N_B	I/O	-These pins are DSI-D2+/- differential data signals of Port-B. If not used, please connect these pins to VSSAM.																																																																																																																																																																																																																								
HSSI_D3_P_B HSSI_D3_N_B	I/O	-These pins are DSI-D3+/- differential data signals of Port-B. If not used, please connect these pins to VSSAM.																																																																																																																																																																																																																								
DSWAP_A[1:0] PSWAP_A DSWAP_B[1:0] PSWAP_B	I	<p>Input pins to select lane sequence and polarity for D-PHY data transmission:</p> <table border="1"> <thead> <tr> <th>PSWAP_A</th> <th>DSWAP_A[1:0]</th> <th>HSSI_D0_N_A</th> <th>HSSI_D0_P_A</th> <th>HSSI_D1_N_A</th> <th>HSSI_D1_P_A</th> <th>HSSI_CLK_N_A</th> <th>HSSI_CLK_P_A</th> <th>HSSI_D2_N_A</th> <th>HSSI_D2_P_A</th> <th>HSSI_D3_N_A</th> <th>HSSI_D3_P_A</th> </tr> </thead> <tbody> <tr><td>0</td><td>00</td><td>D3-</td><td>D3+</td><td>D2-</td><td>D2+</td><td>CLK-</td><td>CLK+</td><td>D1-</td><td>D1+</td><td>D0-</td><td>D0+</td></tr> <tr><td>0</td><td>01</td><td>D0-</td><td>D0+</td><td>D1-</td><td>D1+</td><td>CLK-</td><td>CLK+</td><td>D2-</td><td>D2+</td><td>D3-</td><td>D3+</td></tr> <tr><td>0</td><td>10</td><td>D2-</td><td>D2+</td><td>D1-</td><td>D1+</td><td>CLK-</td><td>CLK+</td><td>D0-</td><td>D0+</td><td>D3-</td><td>D3+</td></tr> <tr><td>0</td><td>11</td><td>D3-</td><td>D3+</td><td>D0-</td><td>D0+</td><td>CLK-</td><td>CLK+</td><td>D1-</td><td>D1+</td><td>D2-</td><td>D2+</td></tr> <tr><td>1</td><td>00</td><td>D3+</td><td>D3-</td><td>D2+</td><td>D2-</td><td>CLK+</td><td>CLK-</td><td>D1+</td><td>D1-</td><td>D0+</td><td>D0-</td></tr> <tr><td>1</td><td>01</td><td>D0+</td><td>D0-</td><td>D1+</td><td>D1-</td><td>CLK+</td><td>CLK-</td><td>D2+</td><td>D2-</td><td>D3+</td><td>D3-</td></tr> <tr><td>1</td><td>10</td><td>D2+</td><td>D2-</td><td>D1+</td><td>D1-</td><td>CLK+</td><td>CLK-</td><td>D0+</td><td>D0-</td><td>D3+</td><td>D3-</td></tr> <tr><td>1</td><td>11</td><td>D3+</td><td>D3-</td><td>D0+</td><td>D0-</td><td>CLK+</td><td>CLK-</td><td>D1+</td><td>D1-</td><td>D2+</td><td>D2-</td></tr> <tr> <th>PSWAP_B</th> <th>DSWAP_B[1:0]</th> <th>HSSI_D0_N_B</th> <th>HSSI_D0_P_B</th> <th>HSSI_D1_N_B</th> <th>HSSI_D1_P_B</th> <th>HSSI_CLK_N_B</th> <th>HSSI_CLK_P_B</th> <th>HSSI_D2_N_B</th> <th>HSSI_D2_P_B</th> <th>HSSI_D3_N_B</th> <th>HSSI_D3_P_B</th> </tr> <tr><td>0</td><td>00</td><td>D3-</td><td>D3+</td><td>D2-</td><td>D2+</td><td>CLK-</td><td>CLK+</td><td>D1-</td><td>D1+</td><td>D0-</td><td>D0+</td></tr> <tr><td>0</td><td>01</td><td>D0-</td><td>D0+</td><td>D1-</td><td>D1+</td><td>CLK-</td><td>CLK+</td><td>D2-</td><td>D2+</td><td>D3-</td><td>D3+</td></tr> <tr><td>0</td><td>10</td><td>D2-</td><td>D2+</td><td>D1-</td><td>D1+</td><td>CLK-</td><td>CLK+</td><td>D0-</td><td>D0+</td><td>D3-</td><td>D3+</td></tr> <tr><td>0</td><td>11</td><td>D3-</td><td>D3+</td><td>D0-</td><td>D0+</td><td>CLK-</td><td>CLK+</td><td>D1-</td><td>D1+</td><td>D2-</td><td>D2+</td></tr> <tr><td>1</td><td>00</td><td>D3+</td><td>D3-</td><td>D2+</td><td>D2-</td><td>CLK+</td><td>CLK-</td><td>D1+</td><td>D1-</td><td>D0+</td><td>D0-</td></tr> <tr><td>1</td><td>01</td><td>D0+</td><td>D0-</td><td>D1+</td><td>D1-</td><td>CLK+</td><td>CLK-</td><td>D2+</td><td>D2-</td><td>D3+</td><td>D3-</td></tr> <tr><td>1</td><td>10</td><td>D2+</td><td>D2-</td><td>D1+</td><td>D1-</td><td>CLK+</td><td>CLK-</td><td>D0+</td><td>D0-</td><td>D3+</td><td>D3-</td></tr> <tr><td>1</td><td>11</td><td>D3+</td><td>D3-</td><td>D0+</td><td>D0-</td><td>CLK+</td><td>CLK-</td><td>D1+</td><td>D1-</td><td>D2+</td><td>D2-</td></tr> </tbody> </table> <p>Notes: (1) The voltage levels of these control pins are "1" = VDDI level and "0" = VSSI. (2) DSWAP[1:0] represent DSWAP_A for port-A and DSWAP_B for port-B, and the settings of these two ports can be different.</p>	PSWAP_A	DSWAP_A[1:0]	HSSI_D0_N_A	HSSI_D0_P_A	HSSI_D1_N_A	HSSI_D1_P_A	HSSI_CLK_N_A	HSSI_CLK_P_A	HSSI_D2_N_A	HSSI_D2_P_A	HSSI_D3_N_A	HSSI_D3_P_A	0	00	D3-	D3+	D2-	D2+	CLK-	CLK+	D1-	D1+	D0-	D0+	0	01	D0-	D0+	D1-	D1+	CLK-	CLK+	D2-	D2+	D3-	D3+	0	10	D2-	D2+	D1-	D1+	CLK-	CLK+	D0-	D0+	D3-	D3+	0	11	D3-	D3+	D0-	D0+	CLK-	CLK+	D1-	D1+	D2-	D2+	1	00	D3+	D3-	D2+	D2-	CLK+	CLK-	D1+	D1-	D0+	D0-	1	01	D0+	D0-	D1+	D1-	CLK+	CLK-	D2+	D2-	D3+	D3-	1	10	D2+	D2-	D1+	D1-	CLK+	CLK-	D0+	D0-	D3+	D3-	1	11	D3+	D3-	D0+	D0-	CLK+	CLK-	D1+	D1-	D2+	D2-	PSWAP_B	DSWAP_B[1:0]	HSSI_D0_N_B	HSSI_D0_P_B	HSSI_D1_N_B	HSSI_D1_P_B	HSSI_CLK_N_B	HSSI_CLK_P_B	HSSI_D2_N_B	HSSI_D2_P_B	HSSI_D3_N_B	HSSI_D3_P_B	0	00	D3-	D3+	D2-	D2+	CLK-	CLK+	D1-	D1+	D0-	D0+	0	01	D0-	D0+	D1-	D1+	CLK-	CLK+	D2-	D2+	D3-	D3+	0	10	D2-	D2+	D1-	D1+	CLK-	CLK+	D0-	D0+	D3-	D3+	0	11	D3-	D3+	D0-	D0+	CLK-	CLK+	D1-	D1+	D2-	D2+	1	00	D3+	D3-	D2+	D2-	CLK+	CLK-	D1+	D1-	D0+	D0-	1	01	D0+	D0-	D1+	D1-	CLK+	CLK-	D2+	D2-	D3+	D3-	1	10	D2+	D2-	D1+	D1-	CLK+	CLK-	D0+	D0-	D3+	D3-	1	11	D3+	D3-	D0+	D0-	CLK+	CLK-	D1+	D1-	D2+	D2-
PSWAP_A	DSWAP_A[1:0]	HSSI_D0_N_A	HSSI_D0_P_A	HSSI_D1_N_A	HSSI_D1_P_A	HSSI_CLK_N_A	HSSI_CLK_P_A	HSSI_D2_N_A	HSSI_D2_P_A	HSSI_D3_N_A	HSSI_D3_P_A																																																																																																																																																																																																															
0	00	D3-	D3+	D2-	D2+	CLK-	CLK+	D1-	D1+	D0-	D0+																																																																																																																																																																																																															
0	01	D0-	D0+	D1-	D1+	CLK-	CLK+	D2-	D2+	D3-	D3+																																																																																																																																																																																																															
0	10	D2-	D2+	D1-	D1+	CLK-	CLK+	D0-	D0+	D3-	D3+																																																																																																																																																																																																															
0	11	D3-	D3+	D0-	D0+	CLK-	CLK+	D1-	D1+	D2-	D2+																																																																																																																																																																																																															
1	00	D3+	D3-	D2+	D2-	CLK+	CLK-	D1+	D1-	D0+	D0-																																																																																																																																																																																																															
1	01	D0+	D0-	D1+	D1-	CLK+	CLK-	D2+	D2-	D3+	D3-																																																																																																																																																																																																															
1	10	D2+	D2-	D1+	D1-	CLK+	CLK-	D0+	D0-	D3+	D3-																																																																																																																																																																																																															
1	11	D3+	D3-	D0+	D0-	CLK+	CLK-	D1+	D1-	D2+	D2-																																																																																																																																																																																																															
PSWAP_B	DSWAP_B[1:0]	HSSI_D0_N_B	HSSI_D0_P_B	HSSI_D1_N_B	HSSI_D1_P_B	HSSI_CLK_N_B	HSSI_CLK_P_B	HSSI_D2_N_B	HSSI_D2_P_B	HSSI_D3_N_B	HSSI_D3_P_B																																																																																																																																																																																																															
0	00	D3-	D3+	D2-	D2+	CLK-	CLK+	D1-	D1+	D0-	D0+																																																																																																																																																																																																															
0	01	D0-	D0+	D1-	D1+	CLK-	CLK+	D2-	D2+	D3-	D3+																																																																																																																																																																																																															
0	10	D2-	D2+	D1-	D1+	CLK-	CLK+	D0-	D0+	D3-	D3+																																																																																																																																																																																																															
0	11	D3-	D3+	D0-	D0+	CLK-	CLK+	D1-	D1+	D2-	D2+																																																																																																																																																																																																															
1	00	D3+	D3-	D2+	D2-	CLK+	CLK-	D1+	D1-	D0+	D0-																																																																																																																																																																																																															
1	01	D0+	D0-	D1+	D1-	CLK+	CLK-	D2+	D2-	D3+	D3-																																																																																																																																																																																																															
1	10	D2+	D2-	D1+	D1-	CLK+	CLK-	D0+	D0-	D3+	D3-																																																																																																																																																																																																															
1	11	D3+	D3-	D0+	D0-	CLK+	CLK-	D1+	D1-	D2+	D2-																																																																																																																																																																																																															
PNSLV	I	<p>PNSLV is used to determine the port sequence when using MIPI dual port (Default=1'b0).</p> <table border="1"> <thead> <tr> <th rowspan="2">PNSLV</th> <th colspan="2">Pixel Data from Host</th> <th rowspan="2">Command</th> </tr> <tr> <th>Port A</th> <th>Port B</th> </tr> </thead> <tbody> <tr> <td>0</td> <td>HSSI_D0_A ~ HSSI_D3_A</td> <td>HSSI_D0_B ~ HSSI_D3_B</td> <td>HSSI_D0_A ~ HSSI_D3_A</td> </tr> <tr> <td>1</td> <td>HSSI_D0_B ~ HSSI_D3_B</td> <td>HSSI_D0_A ~ HSSI_D3_A</td> <td>HSSI_D0_B ~ HSSI_D3_B</td> </tr> </tbody> </table>	PNSLV	Pixel Data from Host		Command	Port A	Port B	0	HSSI_D0_A ~ HSSI_D3_A	HSSI_D0_B ~ HSSI_D3_B	HSSI_D0_A ~ HSSI_D3_A	1	HSSI_D0_B ~ HSSI_D3_B	HSSI_D0_A ~ HSSI_D3_A	HSSI_D0_B ~ HSSI_D3_B																																																																																																																																																																																																										
PNSLV	Pixel Data from Host			Command																																																																																																																																																																																																																						
	Port A	Port B																																																																																																																																																																																																																								
0	HSSI_D0_A ~ HSSI_D3_A	HSSI_D0_B ~ HSSI_D3_B	HSSI_D0_A ~ HSSI_D3_A																																																																																																																																																																																																																							
1	HSSI_D0_B ~ HSSI_D3_B	HSSI_D0_A ~ HSSI_D3_A	HSSI_D0_B ~ HSSI_D3_B																																																																																																																																																																																																																							
IM_PORT_AB	I	<p>Input pin to select MIPI input port number.</p> <table border="1"> <thead> <tr> <th>IM_PORT_AB</th> <th>Display Data</th> <th>Command</th> </tr> </thead> <tbody> <tr> <td>0</td> <td>MIPI DSI (Single Port) HSSI_D0_A ~ HSSI_D3_A</td> <td>According to PNSLV</td> </tr> <tr> <td>1</td> <td>MIPI DSI (Dual Port) HSSI_D0_A ~ HSSI_D3_A HSSI_D0_B ~ HSSI_D3_B</td> <td>According to PNSLV</td> </tr> </tbody> </table>	IM_PORT_AB	Display Data	Command	0	MIPI DSI (Single Port) HSSI_D0_A ~ HSSI_D3_A	According to PNSLV	1	MIPI DSI (Dual Port) HSSI_D0_A ~ HSSI_D3_A HSSI_D0_B ~ HSSI_D3_B	According to PNSLV																																																																																																																																																																																																															
IM_PORT_AB	Display Data	Command																																																																																																																																																																																																																								
0	MIPI DSI (Single Port) HSSI_D0_A ~ HSSI_D3_A	According to PNSLV																																																																																																																																																																																																																								
1	MIPI DSI (Dual Port) HSSI_D0_A ~ HSSI_D3_A HSSI_D0_B ~ HSSI_D3_B	According to PNSLV																																																																																																																																																																																																																								

4.4 Interface Logic Pins

Signal	I/O	Function
TE	O	Tearing effect output pin to synchronize MCU to frame writing, activated by S/W command. This pin is pulled to low when not activated and please leave it open.

TE1	O	Tearing effect output pin to trigger touch events, activated by S/W command. This pin is pulled to low when not activated and please leave it open.								
RESX	I	Hardware reset pin.								
IM[1:0]	I	Interface type selection. <table border="1"> <thead> <tr> <th>IM[1:0]</th> <th>Interface Selection</th> </tr> </thead> <tbody> <tr> <td>00</td> <td>MIPI D-Phy / I2C</td> </tr> <tr> <td>01</td> <td>MIPI D-Phy / 3-wire SPI</td> </tr> <tr> <td>10</td> <td>MIPI D-Phy / I2C</td> </tr> </tbody> </table> <p>*IM[0] is internal pulled-low</p>	IM[1:0]	Interface Selection	00	MIPI D-Phy / I2C	01	MIPI D-Phy / 3-wire SPI	10	MIPI D-Phy / I2C
IM[1:0]	Interface Selection									
00	MIPI D-Phy / I2C									
01	MIPI D-Phy / 3-wire SPI									
10	MIPI D-Phy / I2C									
BSTM	I	Power mode selection pins. There is 1bit software control for the power-up sequence of 2-power mode. <table border="1"> <thead> <tr> <th>BSTM</th> <th>Mode</th> </tr> </thead> <tbody> <tr> <td>1</td> <td>2-power input mode (VDDI, VCI) VDDA=VDDDB=VDDR=VCI, AVDD is from power IC</td> </tr> <tr> <td>0</td> <td>Reserved</td> </tr> </tbody> </table>	BSTM	Mode	1	2-power input mode (VDDI, VCI) VDDA=VDDDB=VDDR=VCI, AVDD is from power IC	0	Reserved		
BSTM	Mode									
1	2-power input mode (VDDI, VCI) VDDA=VDDDB=VDDR=VCI, AVDD is from power IC									
0	Reserved									
SWIRE	O	Swire protocol setting pin of power IC, If not used, please open this pin.								
AVDD_EN	O	Power IC enable control pin, If not used, please open this pin.								
ERR_FG	O	Output pin used to monitor display driver state and error status of MIPI's HSDDT								
PCD_L, PCD_R	I	Input pins used for panel crack detection								
PCD	O	Panel crack detection output pin								
TEST1_F_CSB TEST2_F_SCLK TEST3_F_SDI TEST4_F_SDO TEST5_F_HOLDN TEST6_F_WPN TEST7_F_DISS	IO	I/O pins to Flash for Demura function								

4.5 Regulator Outputs and DC/DC Convert Pins

Signal	I/O	Function
C21P, C21N C22P, C22N	I/O	Capacitor connection pins for the step-up circuit which generate VCL. Connect capacitor as requirement.
VCL	O	Output voltage from step-up circuit 1, generated from VDDDB. Connect a capacitor for stabilization.
C31P, C31N C32P, C32N	I/O	Capacitor connection pins for the step-up circuit which generate AVEE. Connect capacitor as requirement.
AVEE	O	Output voltage from step-up circuit 2, generated from AVDD. Connect a capacitor for stabilization.
C41P, C41N C42P, C42N	I/O	Capacitor connection pins for the step-up circuit which generate VGH. Connect capacitor as requirement.
VGH	O	Output voltage from step-up circuit 4. Please connect a capacitor for stabilization.
C51P, C51N C52P, C52N	IO	Capacitor connection pins for the step-up circuit which generate VGL. Connect capacitor as requirement.
VGL	O	Output voltage from step-up circuit 5. Please connect a capacitor for stabilization.

DVDD	○	Regulator output used as power of internal logic circuitry. Please connect a capacitor for stabilization.
MVDDA1 & MVDDA2	○	Regulator output used as power of MIPI's analog circuitry. Please connect a capacitor for stabilization.
VGHR	○	LDO output voltage generated from VGH. Please connect a capacitor for stabilization. When not in use, please open this pin.
VGLR	○	LDO output voltage generated from VGL. Please connect a capacitor for stabilization. When not in use, please open this pin.
VGMP	○	LDO output voltage generated from AVDD for positive gamma high voltage.
VGSP	○	LDO output voltage generated from AVDD for positive gamma low voltage.
VREF	○	Regulator output for internal reference voltage. Please connect capacitor for stabilization.
VREFP	○	Regulator output for VREFP. Please connect capacitor for stabilization.
VREFN	○	Regulator output for VREFN. Please connect capacitor for stabilization.
OVDD_INT	○	Regulator output for OVDD_INT. Please connect capacitor for stabilization.
OVSS_INT	○	Regulator output for OVSS_INT. Please connect capacitor for stabilization.

4.6 Driver Output and Bonding Test Pins

Signal	I/O	Function
S[1] ~ S[3240]	○	Pixel electrode driving output.
SDM[1] ~ SDM[4]	○	Source dummy outputs
GOA_R[18:1] GOA_L[18:1]	○	Control signals of GOA
GOA_DMYL1/2 GOA_DMYR1/2	○	GOA dummy outputs, all of them must be open and connect any two of them is forbidden
VGHO	○	Connected to VGHR internally for panel application. If possible, please connect this pin to VGHR on FPC.
VGLO	○	Connected to VGLR internally for panel application. If possible, please connect this pin to VGLR on FPC.
VREFPO	○	Connected to VREFP internally for panel application. If possible, please connect this pin to VREFP on FPC.
VREFNO	○	Connected to VREFN internally for panel application. If possible, please connect this pin to VREFN on FPC.
DUMMY_R1/R2		Dummy pins that are used for COG bonding check. They are internally short.
DUMMY_R3/R4		Dummy pins that are used for COG bonding check. They are internally short.
PADA		Dummy pins that are used for COG bonding check. They are internally short.
PADB		Dummy pins that are used for COG bonding check. They are internally short.
DMY_L1~ DMY_L20		Dummy test PADS, all of them must be open and the connect ion of any two of them is forbidden
DMY_R1 ~ DMY_R20		Dummy test PADS, all of them must be open and the connection of any two of them is forbidden

4.7 Test Pins

Signal	I/O	Function
DB_MODE[2:0]		Test mode selection pins. It is not accessible to user and must be left open.

ANA_TEST[4:1]	O	Analog test pins. They are not accessible to user and must be left open
TEST[16:10] TEST[8]	IO	Digital test pins. They are not accessible to user and must be left open
PL	I	Digital test pin. It is not accessible to user and must be left open.
DE	I	Digital test pin. It is not accessible to user and must be left open.
HS	I	Digital test pin. It is not accessible to user and must be left open.
VS	I	Digital test pin. It is not accessible to user and must be left open.
D[7:0]	I	Dummy PAD, please leave them open
DMY	I	Dummy PAD, please leave them open
DMY_L1~ DMY_L20	I	Dummy test PADs. All of them must be open and connect any two of them is forbidden.
DMY_R1~ DMY_R20	I	Dummy test PADs. All of them must be open and connect any two of them is forbidden.

CONFIDENTIAL

5. Function Description

5.1 DBI Type-C Serial Interface

The RM69700 supports DBI (Display-Bus-Interface) type-C option-1 and option-3 for the communication with the host. For the option-1, it is a 3-wire 9-bit series interface and consists of the chip enable input (CSX), serial clock input (SCL), serial data Input (SDI), and serial data Output (SDO). For the option3, it is a 4-wire serial interface with one more extra pin DCX than option-1 to indicate the input is data or command. The serial clock (SCL) is used only for the interface communication with the MCU, so it can be stopped when no data transmission is being executed.

For a data write cycle, CSX should be low to indicate that the process of serial data transmission is valid. Then, SCL is driven by the host from high to low to start a valid bit data transmission and then pulled back from low to high for display driver to latch data. A low-high-low transition of SCL forms a complete write cycle of one bit data.

A write sequence is initiated when CSX is driven from high to low and ended once CSX is pulled to high. During a write sequence, host processor can write more than one byte command or data to display module via the interface.

For a data read cycle, host processor reads bit-string data from display module via the interface. For a data read cycle, SCL is first driven from high to low to tell the host to fetch data and then pulled back from low to high to complete a read cycle. The display module outputs information during a read cycle to the data line SDO and the host reads the data at the rising edge of SCL from the data line.

A read sequence is initiated when CSX is driven from high to low and ended when CSX is pulled high. During a read sequence, host processor can read more than one byte of information from the display module. The read sequences of single-byte and multi-byte have a difference at the beginning of data output. For the single-byte output, the data are output to the data line SDO soon after the command transmission is finished. As to the multi-byte output, there is a dummy clock cycle inserted between finish of command transmission and the start of data output to the data line SDO.

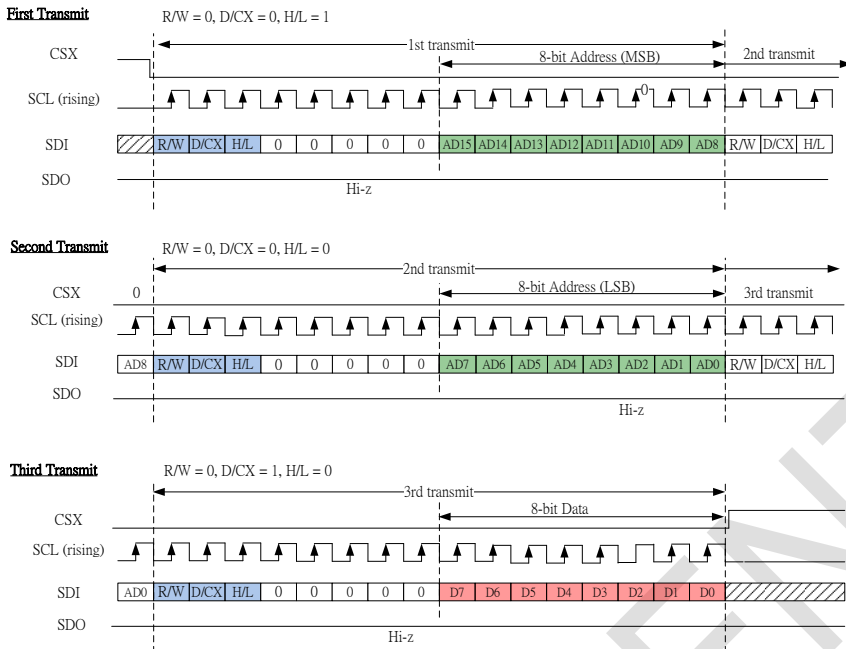
In addition to DBI type-C option-1 and option-3, a 3-wire 16-bit serial interface is also implemented. There are 2-byte data per transmission for this interface. The first 3 MSB bits of the former are R/W, D/CX, and H/L and they are used to tell the driver whether the proceeding transmission is for read (R/W=1) or write (R/W=0), the input is data (D/CX=1) or command (D/CX=0), and the input is the MSB (H/L=1) or LSB (H/L=0).

SPI Interface Type Selection:

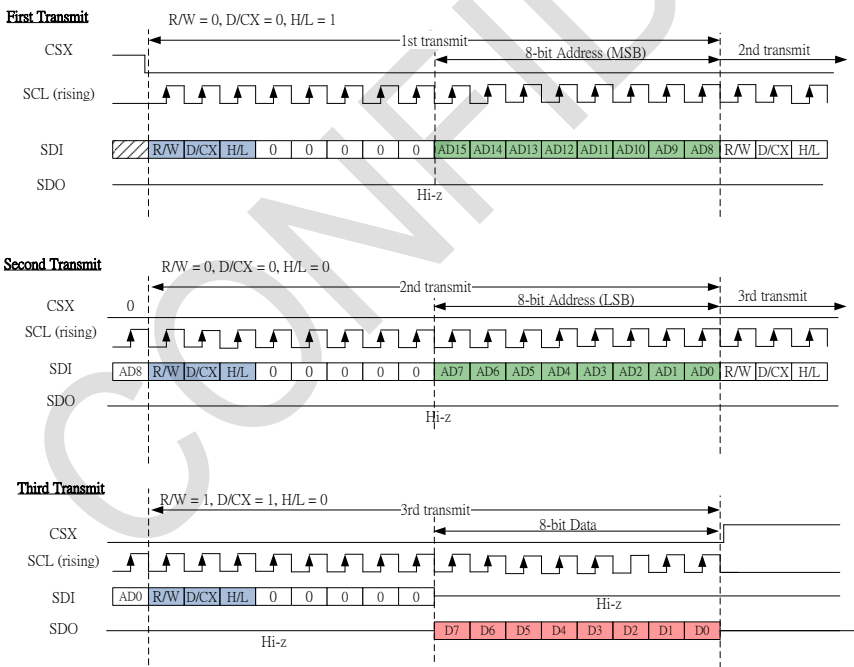
IM[:0]	Display Data	SPI Command
00	MIPI DSI, D-PHY	I2C
01	MIPI DSI, D-PHY	3-wire SPI
10	MIPI DSI, D-PHY	I2C

5.1.1 3-Wire 16-Bit SPI Write/Read Cycle and Sequence

Write sequence



Read sequence

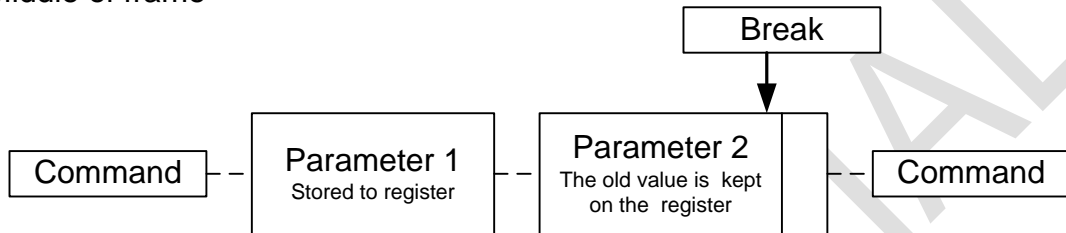


5.1.2 Break and Pause Sequence

The host processor can break a read or write sequence by pulling the CSX signal high during a command or data byte. The display module shall reset its interface so it will be ready to receive the same byte when CSX is again driven low.

The host processor can stop a read or write sequence by pulling the CSX signal high between command or data bytes. The display module shall wait for the host processor to drive CSX low before proceeding the read or write sequence at the point where the sequence was paused.

1. Middle of frame

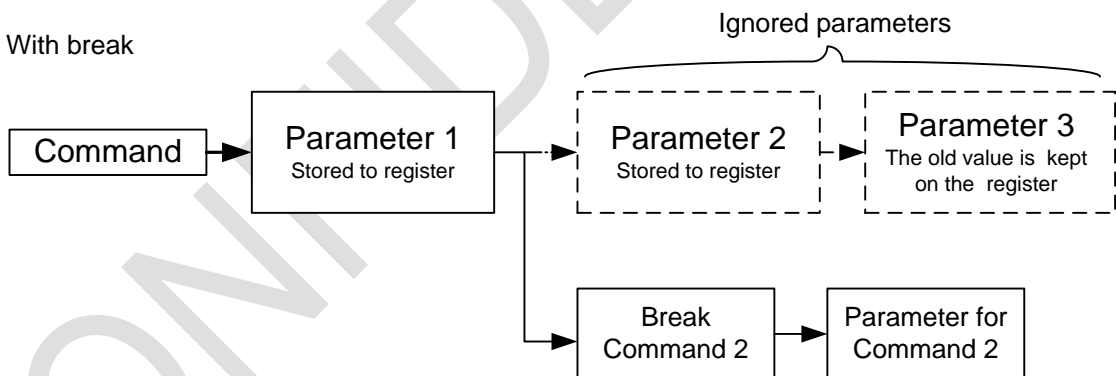


2. Between frames

Without break



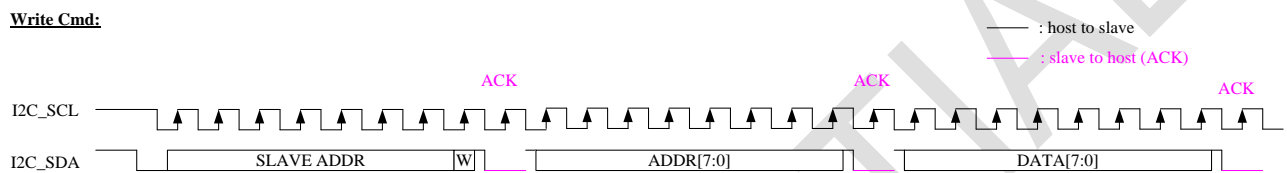
With break



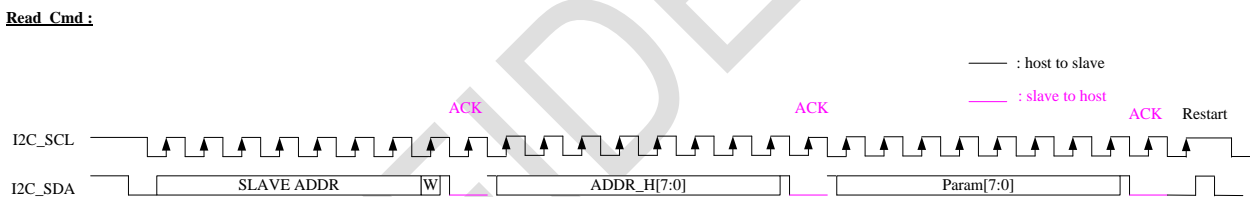
5.2 I2C Interface

The I2C-bus is for bi-directional, two-line communication between different ICs or modules. The two lines are the Serial Data line (I_SDA) and the Serial Clock Line (I_SCL). Both lines must be connected to a positive supply via pull-up resistors. Data transfer can be initiated only when the bus is not busy. Each byte of eight bits is followed by an acknowledge bit. The acknowledge bit is a HIGH level signal put on the bus by the transmitter during which time the master generates an extra acknowledgement related clock pulse. A slave receiver which is addressed must generate an acknowledgement after the reception of each byte. Also a master receiver must generate an acknowledgement after the reception of each byte that has been clocked out of the slave transmitter.

The I2C interface write command sequences are described in the following figure.



The I2C interface read command sequences are described in the following figure.



5.3 Display Serial Interface (DSI)

DSI-compliant peripherals support both of two basic modes of operation, *Command Mode* and *Video Mode*. The mode definitions reflect the intended use of DSI for display interconnect but not intend to restrict DSI from operating in other applications.

Command Mode refers to the operation in which transactions primarily take the form of sending commands to a display module, which incorporates a display controller including local registers. It requires a bidirectional interface so that systems can utilize this mode to write data onto or to read data from those local registers. The host processor indirectly controls activity of the peripheral by sending commands and parameters to the display controller. Moreover, the host processor can also read status information of a display module via it.

Video Mode refers to operation in which a real-time pixel stream data send from the host processor to the peripheral. Under normal operation, display module relies on host processor to transmit image data with

sufficient bandwidth to avoid flicker or other visible artifacts shown in the displayed image. Video information should only be transmitted by using High Speed Mode.

Configuration between the host and RM69700 (Slave)

Lane Pair	Available Operation Mode	Clock/Data Input Mode
Clock Lane	Unidirectional Clock Lane	Forward High-Speed Clock Input
Data Lane 0	Bi-directional Data Lane Bi-directional Escape Mode	Forward High-Speed Data Input Bi-directional LPDT
Data Lane 1	Unidirectional Data Lane Escape Mode	Forward High-Speed Data Input No LPDT
Data Lane 2	Unidirectional Data Lane Escape Mode	Forward High-Speed Data Input No LPDT
Data Lane 3	Unidirectional Data Lane Escape Mode	Forward High-Speed Data Input No LPDT

Notes:

1. We recommend users to stay in *STOP* state for 500ns when switching from LPDT to HSDT.
2. We recommend users to adopt *EoTp* to enhance overall robustness of the system during HSDT.

CONFIDENTIAL

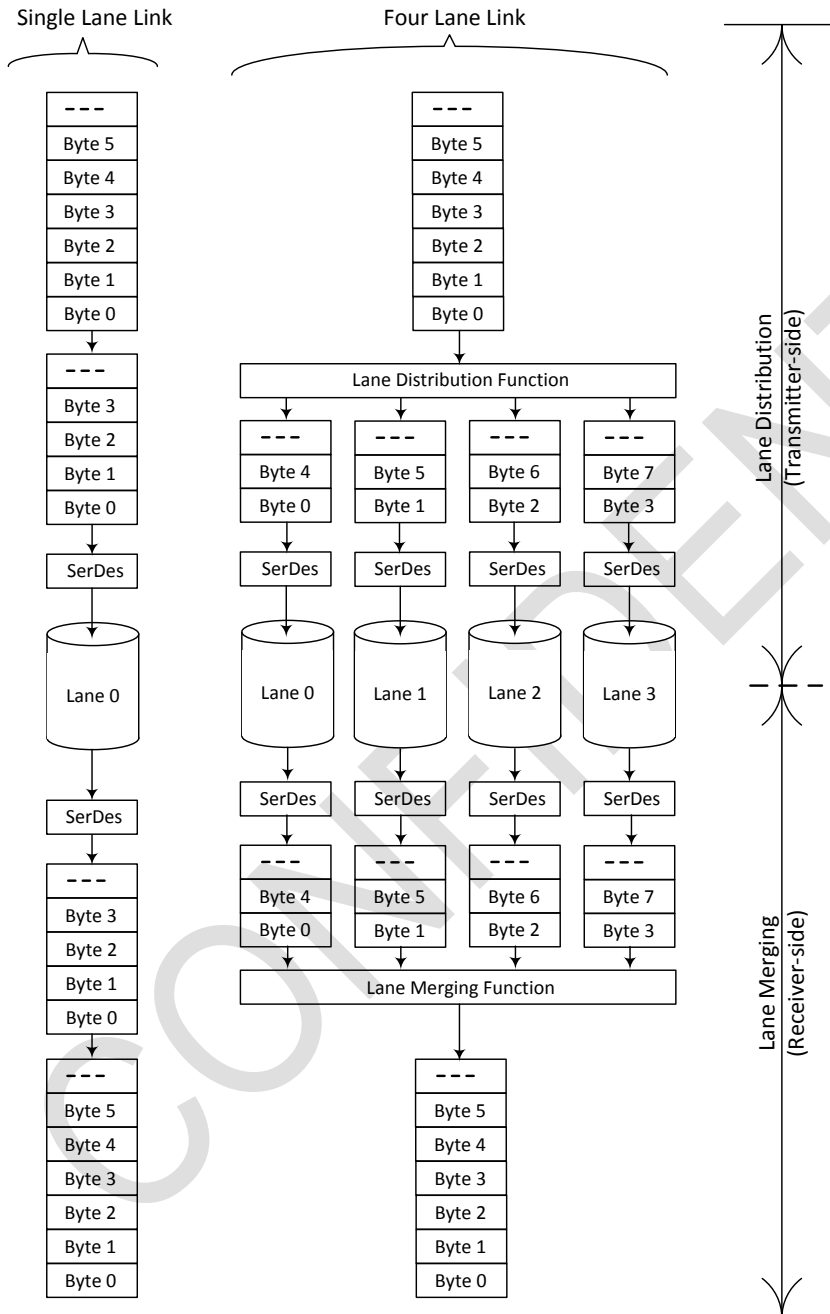
5.3.1 Video Mode Format Support

Video Mode	Support
Burst mode	Yes
Non burst mode	Yes
Sync event mode	Yes
Sync pulses mode	Yes

CONFIDENTIAL

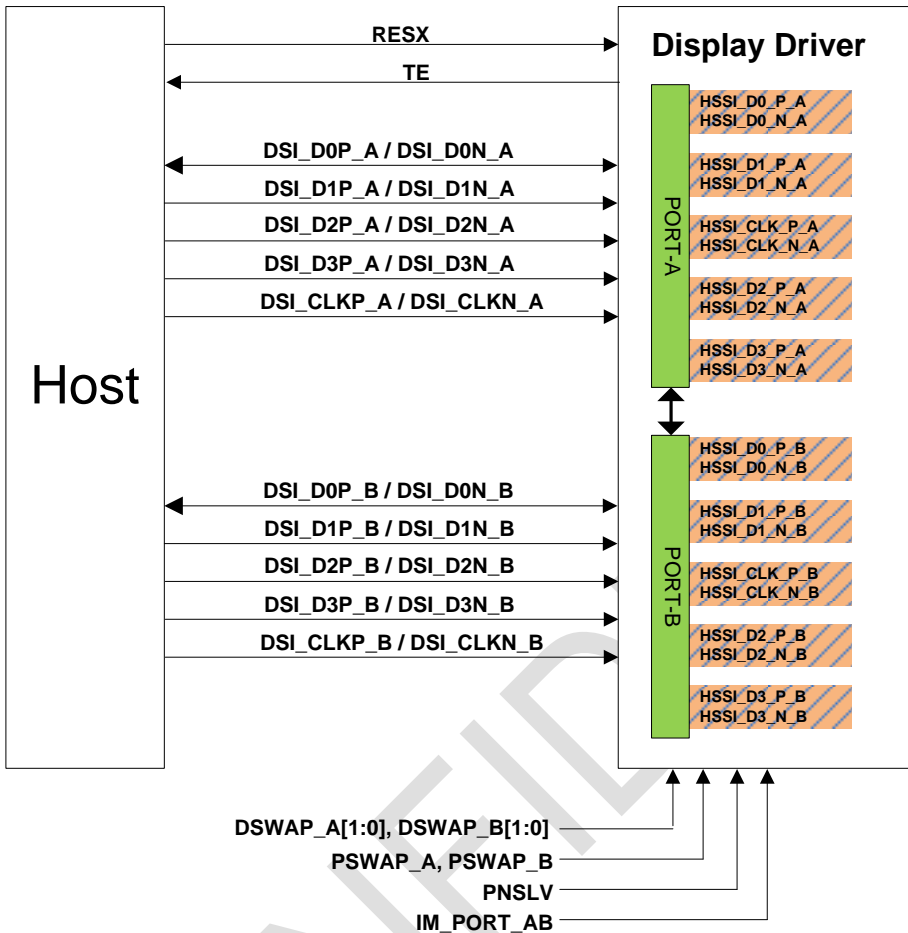
5.3.2 Multi-Lane Distribution and Merging

On the transmitter side of a *DSI Link*, parallel data, signal events, and commands are converted to packets and sent across the serial Link. On the other hand, the receiver side of a *DSI Link* performs the data conversion, decomposing received packets into parallel data, signal events and commands. The data processing flow is shown in the following for one-lane operation (left-side) and four-lane operation (right-side).



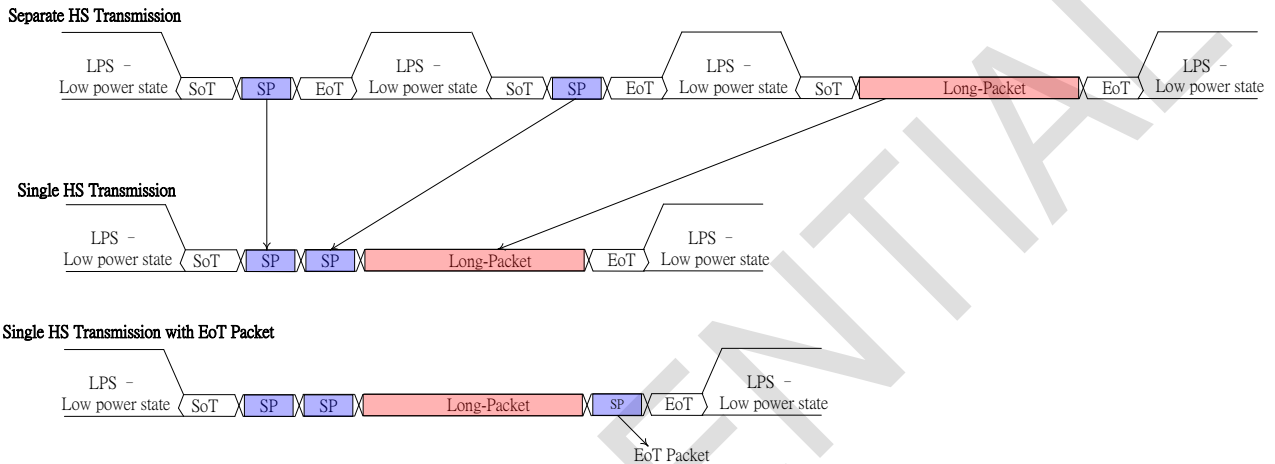
5.3.3 DSI System Configuration

The system configuration is shown as follows. The hardware pin PNSLV select the data port mapping between the host and display driver, and IM_PORT_AB set the valid port number is 1 port or 2 ports. Each port has its own DSWAP and PSWAP for their lane configuration.



5.3.4 Multiple Packet per Transmission

There are two modes of data transmission, HS and LP transmission modes, at the PHY layer. Before a HS data transmission can be started, the transmitter issues a SoT sequence to the receiver. After that, data or command packets can be transmitted via HS mode. Multiple packets may exist within a single HS transmission and at the end of transmission is always signaled at the PHY layer using a dedicated EoT sequence. In HS mode, time gaps between packets shall result in separate HS transmissions for each packet, with a SoT, LPS, and EoT issued by the PHY layer between packets.



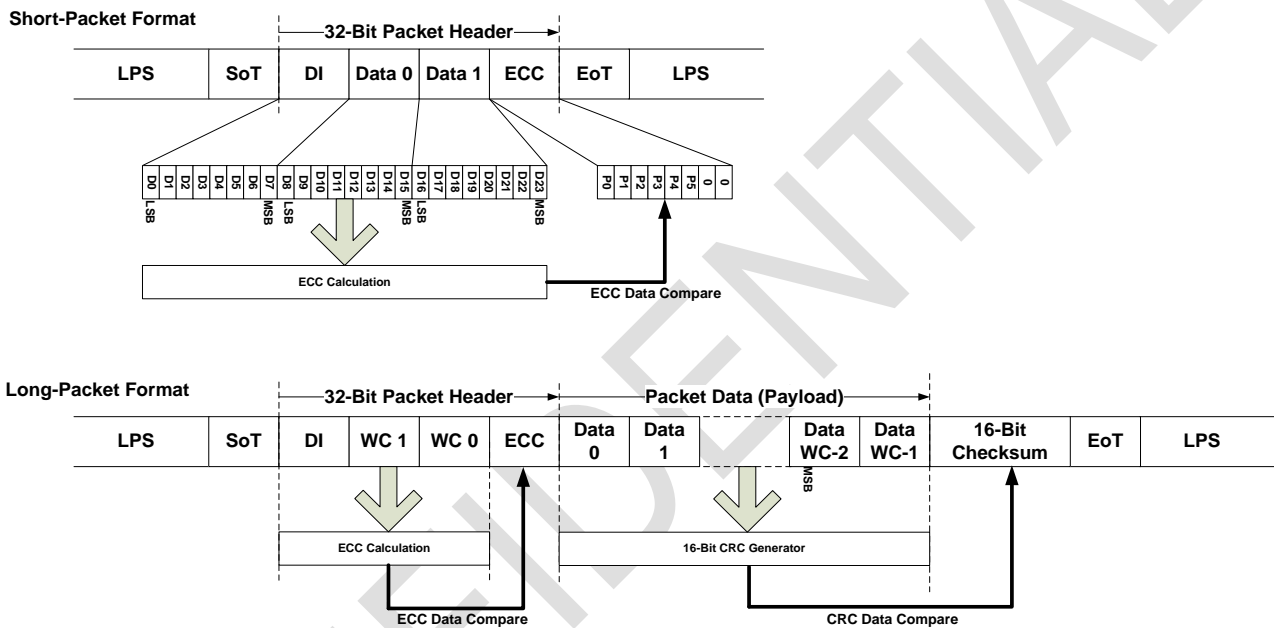
Operation State:

- LPS -- Low Power State (also called LP-11)
- SoT -- Start-of-Transmission
- EoT -- End-of-Transmission

5.3.5 Packet Composition

There are two categories of packet size, and they are *short* packets and *long* packets, respectively. Short packets are four bytes in length including the 1 byte DI (data identifier), 2 byte data, and 1 byte ECC (error correction code) for the packet header.

As to the long packets, they comprise of 1 byte DI, 2 byte WC (word count), Data 0, Data 1...Data WC-1, and finally 2 byte checksum. *Word Count* represents the number of total data bytes of this long packet, and *Checksum* is a 16-bit CRC generator to check packet data. If the calculated checksum of receiver is equal to the number contained in the packet, then those packet data are regard as correct. However, if the comparison result is non-equal, the packet data are considered to be incorrect. The packet formats of both short packet and long packet are depicted in the following.



The byte DI[7:0] (data identifier) contains of two important information. One is the peripheral selection through the 2-bit virtual channel identifier $VC=DI[7:6]$, and the other is the 6-bit data type field $DT=DI[5:0]$. The VC is always 2'b00 for the real application. The data type field specifies the short or long packet type and the packet format.

Virtual Channel (VC)		Data Type (DT)					
Bit 7	Bit 6	Bit 5	Bit 4	Bit 3	Bit 2	Bit 1	Bit 0

ECC shall always be generated and appended in the Packet Header from the host processor. Peripherals with Bidirectional Links shall also generate and send ECC. The byte ECC allows single-bit errors to be corrected and 2-bit errors to be detected in the Packet Header.

The number of parity or error check bits required is given by the Hamming rule, which uses parity to correct a single-bit error or detect a two-bit error, but are not capable of doing both simultaneously. DSI uses Hamming-modified codes where an extra parity bit is used to support both single error correction as well as two-bit error detection.

Since Packet Headers are fixed at four bytes (twenty-four data bits and eight ECC bits), P6 and P7 of the ECC byte are unused and shall be set to zero by the transmitter. The receiver shall ignore P6 and P7 and set both bits to zero before processing ECC. The parity bits of ECC are defined as below:

$P7 = 0$

$P6 = 0$

$P5 = D10 \oplus D11 \oplus D12 \oplus D13 \oplus D14 \oplus D15 \oplus D16 \oplus D17 \oplus D18 \oplus D19 \oplus D21 \oplus D22 \oplus D23$

$P4 = D4 \oplus D5 \oplus D6 \oplus D7 \oplus D8 \oplus D9 \oplus D16 \oplus D17 \oplus D18 \oplus D19 \oplus D20 \oplus D22 \oplus D23$

$P3 = D1 \oplus D2 \oplus D3 \oplus D7 \oplus D8 \oplus D9 \oplus D13 \oplus D14 \oplus D15 \oplus D19 \oplus D20 \oplus D21 \oplus D23$

$P2 = D0 \oplus D2 \oplus D3 \oplus D5 \oplus D6 \oplus D9 \oplus D11 \oplus D12 \oplus D15 \oplus D18 \oplus D20 \oplus D21 \oplus D22$

$P1 = D0 \oplus D1 \oplus D3 \oplus D4 \oplus D6 \oplus D8 \oplus D10 \oplus D12 \oplus D14 \oplus D17 \oplus D20 \oplus D21 \oplus D22 \oplus D23$

$P0 = D0 \oplus D1 \oplus D2 \oplus D4 \oplus D5 \oplus D7 \oplus D10 \oplus D11 \oplus D13 \oplus D16 \oplus D20 \oplus D21 \oplus D22 \oplus D23$

ECC Parity Generation Rules, the encoding of parity and decoding of syndromes:

Data Bit	P7	P6	P5	P4	P3	P2	P1	P0	Hex
0	0	0	0	0	0	1	1	1	0x07
1	0	0	0	0	1	0	1	1	0x0B
2	0	0	0	0	1	1	0	1	0x0D
3	0	0	0	0	1	1	1	0	0x0E
4	0	0	0	1	0	0	1	1	0x13
5	0	0	0	1	0	1	0	1	0x15
6	0	0	0	1	0	1	1	0	0x16
7	0	0	0	1	1	0	0	1	0x19
8	0	0	0	1	1	0	1	0	0x1A
9	0	0	0	1	1	1	0	0	0x1C
10	0	0	1	0	0	0	1	1	0x23
11	0	0	1	0	0	1	0	1	0x25
12	0	0	1	0	0	1	1	0	0x26
13	0	0	1	0	1	0	0	1	0x29
14	0	0	1	0	1	0	1	0	0x2A
15	0	0	1	0	1	1	0	0	0x2C
16	0	0	1	1	0	0	0	1	0x31
17	0	0	1	1	0	0	1	0	0x32
18	0	0	1	1	0	1	0	0	0x34
19	0	0	1	1	1	0	0	0	0x38
20	0	0	0	1	1	1	1	1	0x1F
21	0	0	1	0	1	1	1	1	0x2F
22	0	0	1	1	0	1	1	1	0x37
23	0	0	1	1	1	0	1	1	0x3B

5.3.6 Processor-to-Peripheral Transactions

■ Sync Event packet

Sync Events are all short packets and time-accurately. They can perform like the start and end of sync pulses. To represent timing information as accurately as possible, a V Sync Start event represents the start of the VSA and also implies an H Sync Start event for the first line of the VSA. Hence, a V Sync End event implies an H Sync Start event for the last line of the VSA. Sync events may be concatenated with blanking packets to convey inter-line timing accurately and avoid the overhead of switching between LPS and HS for every event. Note there is a power penalty if keeping data line(s) in HS mode.

Data Type	Data Type (Binary)	Description	Packet size
01h	00 0001	Sync Event, V Sync Start	Short
11h	01 0001	Sync Event, V Sync End	Short
21h	10 0001	Sync Event, H Sync Start	Short
31h	11 0001	Sync Event, H Sync End	Short

■ End-of-Transmission EoT packet

This short packet is used to indicate the end of a high speed (HS) transmission, and it will enhance overall system reliability. Although the main objective of the EoT packet is to enhance robustness of HS transmission, DDI can also detect and interpret arriving EoT packet even in LP mode.

Data Type	Data Type (Binary)	Description	Packet size
08h	00 1000	End of Transmission packet (EoTp)	Short

■ Color Mode Off / On Command packet

They are short packet commands to switch video display module between normal display mode and 8-color mode for power saving.

Data Type	Data Type (Binary)	Description	Packet size
02h	00 0010	Color Mode (CM) Off Command	Short
12h	01 0010	Color Mode (CM) On Command	Short

■ Generic Short Write / Read packet

Generic Short WRITE request is a short packet for sending data to the peripheral. Generic READ request is a short packet for acquiring data from the peripheral.

Data Type	Data Type (Binary)	Description	Packet size
03h	00 0011	Generic Short WRITE, no parameters	Short
13h	01 0011	Generic Short WRITE, 1 parameter	Short
23h	10 0011	Generic Short WRITE, 2 parameters	Short
14h	01 0100	Generic READ, 1 parameter	Short
24h	10 0100	Generic READ, 2 parameters	Short

■ DCS Short Write / Read packet

DCS short write command is used to write a single data byte command to display module. If there is a valid parameter byte, data type bit 4 shall be set to 1. If there is no valid parameter byte, data type bit 4 shall be set to 0 and the parameter byte shall be 00h. DCS read command is used to request data from DDI.

Data Type	Data Type (Binary)	Description	Packet size
05h	00 0101	DCS Short WRITE, no parameters	Short
15h	01 0101	DCS Short WRITE, 1 parameter	Short
06h	00 0110	DCS READ, no parameters	Short

■ Generic Long Write

This is used to transmit arbitrary blocks of data from a host processor to a peripheral.

Data Type	Data Type (Binary)	Description	Packet size
29h	10 1001	Generic Long Write	Long

■ DCS Long Write

The commands are used to send larger blocks of data to a display module.

Data Type	Data Type (Binary)	Description	Packet size
39h	11 1001	DCS Long Write / write_LUT Command Packet	Long

■ Set Maximum Return Packet Size

This command specifies the maximum size of the payload in a long packet transmission from a display module to host processor.

Data Type	Data Type (Binary)	Description	Packet size
37h	11 0111	Set Maximum Return Packet Size	Short

■ Null Packet

This is a mechanism for keeping the data lane(s) in high speed mode while sending dummy data.

Data Type	Data Type (Binary)	Description	Packet size
09h	00 1001	Null Packet, no data	Long

■ Blanking Packet

A Blanking packet is used to convey blanking timing information in a Long packet. The packet represents a period between active scan lines of a Video Mode display, where traditional display timing is provided from the host processor to the display module. The blanking period may have Sync Event packets interspersed between blanking segments. Blanking packets may contain arbitrary data as payload.

Data Type	Data Type (Binary)	Description	Packet size
19h	01 1001	Blanking Packet, no data	Long

■ Reserved Data Packet

Data Type	Data Type (Binary)	Description	Packet size
22h	10 0010	reserved	Short
32h	11 0010	reserved	Short
03h	00 0011	reserved	Short
04h	00 0100	reserved	Short

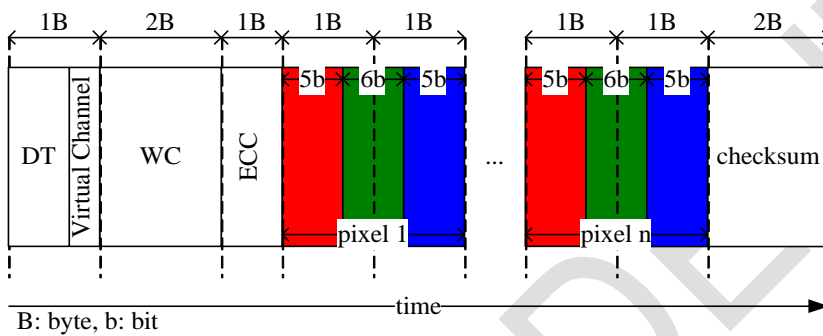
5.3.7 Packed Pixel Stream Format

There are 4 kinds of data input formats, and they are 16-bit RGB(5-6-5), 18-bit RGB(6-6-6), loosely packed 18-bit RGB(6-6-6), and 24-bit RGB(8-8-8) data format. They have their own data type as shown in the following table.

Data Type	Data Type (Binary)	Description	Packet size
0Eh	00 1110	Packed Pixel Stream, 16-bit RGB, 5-6-5 Format	Long
1Eh	01 1110	Packed Pixel Stream, 18-bit RGB, 6-6-6 Format	Long
2Eh	10 1110	Loosely Packed Pixel Stream, 18-bit RGB, 6-6-6 Format	Long
3Eh	11 1110	Packed Pixel Stream, 24-bit RGB, 8-8-8 Format	Long

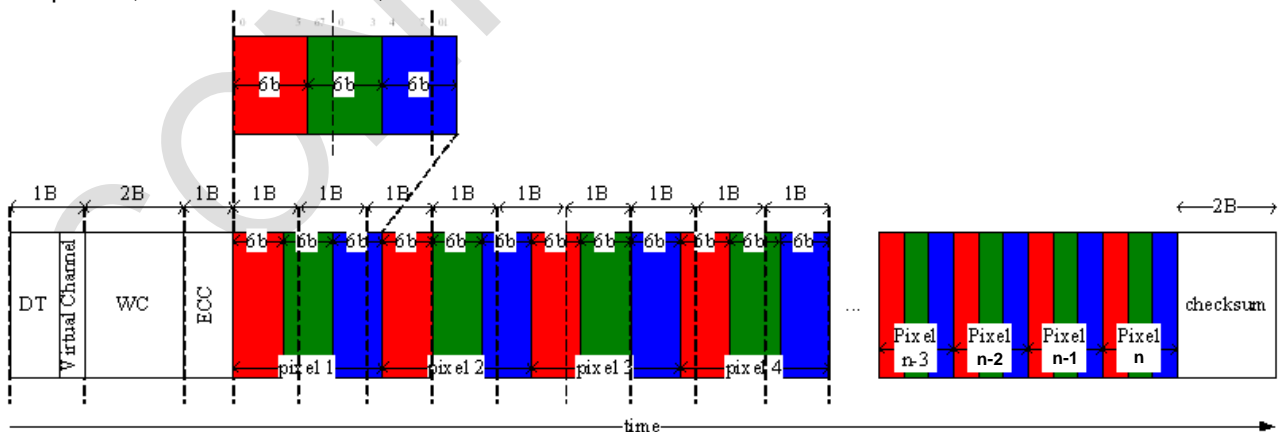
■ 16-bit Format, Data Type: 0x0Eh

The pixel data of this 16-bit data format comprise of five bits red, six bits green, and five bits blue. The green component is split across two bytes. Within a color component, the LSB is sent first, the MSB last.



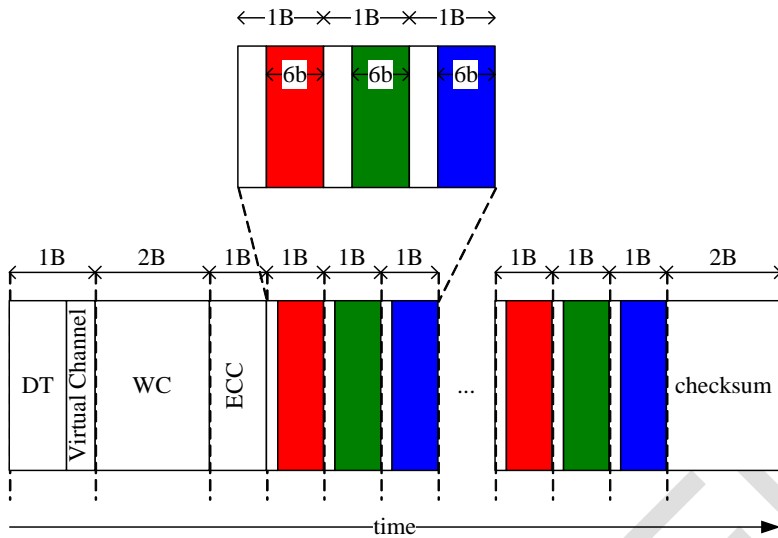
■ 18-bit Format, Data Type: 0x1Eh

The pixel data of this 18-bit data format comprise of six bits red, six bits green, and six bits blue. Within a color component, the LSB is sent first, the MSB last.



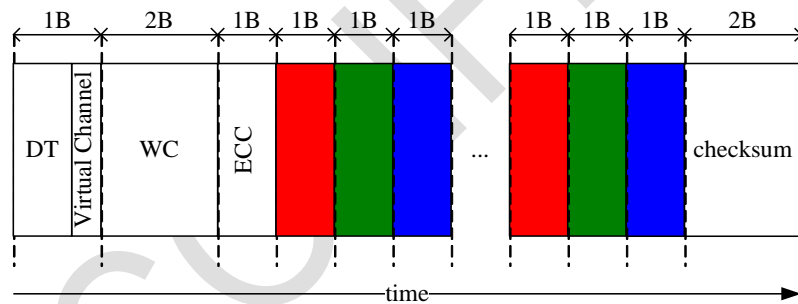
■ 18-bit Loosely Packed Format, Data Type: 0x2Eh

The pixel data of this 18-bit pixel loosely packed format comprises of six bits red, six bits green, and six bits blue. But, the difference between this format and previously mentioned compact format is each R, G or B color component is the same six bits but shifted 2bits to the upper bits of byte. Within a color component, the LSB is sent first, the MSB last.



■ 24-bit Format, Data Type: 0x3Eh

The pixel data of this 24-bit data format is eight bits red, eight bits green and eight bits blue. Within a color component, the LSB is sent first, the MSB last.



5.3.8 Peripheral-to-Processor (Reverse Direction) LP Transactions

All command-mode systems require bidirectional capability to transmit and receive READ data, acknowledge, error information and etc. to the host processor. Multi-Lane system shall use Data Lane-0 for all peripheral-to-processor transmission. And the transmission is allowable only under low-power mode.

Packet structure for peripheral-to-processor transactions is the same as for the processor-to-peripheral direction, *Short* and *Long* packet structures. BTA sequence, that is used to pass the bus control from one to the other, shall take place soon after every peripheral-to-processor transaction. There are four major data transmission from a peripheral to its processor:

- *Tearing Effect*. It is a Trigger message sent to convey display timing information to the host processor.
- *Acknowledge*. It is a Trigger Message sent when the current transmission, as well as all preceding transmissions since the last peripheral to host communication, either triggers or packets, is received by the peripheral with no errors. Please refer to section 6.2.5 for the detailed description.
- *Acknowledge and Error Report*. It is a Short packet sent if any errors were detected in preceding transmissions from the host processor. Please refer to section 6.2.6 for the detailed description.
- *Response to Read Request*. It may be a Short or Long packet that returns data requested by the preceding READ command from the processor. Please refer to section 6.2.7 for the detailed description.

In general, if the host processor completes a transmission to the peripheral with BTA asserted, the peripheral shall respond with one or more appropriate packets, and then return bus control to the host processor. Interpretation of processor-to-peripheral transactions with BTA asserted, and the expected responses, are as follows:

- Following a non-Read command, the peripheral shall respond with *Acknowledge* if no errors were detected or stored since the last peripheral to host communication.
- Following a Read request, the peripheral shall send the requested READ data if no errors were detected and stored since the last peripheral to host communication.
- Following a Read request, if only a *single-bit ECC error* was detected and corrected, the peripheral shall send the requested READ data in a long or short packet, followed by a 4-byte *Acknowledge and Error Report* packet in the same LP transmission.
- Following a non-Read command, if only a *single-bit ECC error* was detected and corrected, the peripheral shall proceed to execute the command, and shall respond to BTA by sending a 4-byte *Acknowledge and Error Report* packet.
- Following a Read request, if multi-bit ECC errors were detected and not corrected, the peripheral shall send a 4-byte *Acknowledge and Error Report* packet without sending Read data.
- Following a non-Read command, if multi-bit ECC errors were detected and not corrected, the peripheral shall not execute the command, and shall send a 4-byte *Acknowledge and Error Report* packet.
- Following any command, if SoT Error, SoT Sync Error, or DSI VC ID invalid or DSI protocol violation was detected, or the DSI command was not recognized, the peripheral shall send a 4-byte *Acknowledge and*

Error Report response, with the appropriate error flags set, as well as any error bits from any preceding transmissions stored since the last peripheral to host communication, in the two-byte error field.

- Following any command, if EoT Sync Error or LP Transmit Sync Error is detected, or a checksum error is detected in the payload, the peripheral shall send a 4-byte *Acknowledge and Error Report* packet with appropriate error flags set, as well as any error bits from any preceding transmissions stored since the last peripheral to host communication.

Acknowledge and Error Report confirms that the preceding command or data sent from the processor to a peripheral was received and indicates what type of error detected on the transmissions. Error report is of short packet type that comprised of two bytes following the data identifier byte (Byte-0). An ECC byte (Byte-3) follows the two error report bytes to form a complete short packet. By convention, detection and reporting of each error type is signified by setting the corresponding bit to "1". The following table shows the bit assignment for all error report:

Bit	Description
0	SoT Error
1	SoT Sync Error
2	EoT Sync Error
3	Escape Mode Entry Command Error
4	Low-Power Transmit Sync Error
5	HS Receive Timeout Error
6	False Control Error
7	Reserved
8	ECC Error, single-bit (detected and corrected)
9	ECC Error, multi-bit (detected, not corrected)
10	Checksum Error (Long packet only)
11	DSI Data Type Not Recognized
12	DSI VC ID Invalid
13	reserved
14	reserved
15	reserved

5.3.9 Peripheral-to-Processor Transaction – Detail Format Description

■ Acknowledge and Error Report

It is sent in response to any command, or read, request, with BTA asserted when a reportable error is detected in the preceding, or earlier, transmission from the host processor.

Data type (hex)	Description	Packet size
02h	Acknowledge and Error Report	Short

■ Generic Short Read Response

It is a short-packet response to *Generic READ Request*. Packet composition is data identifier (DI) byte, two bytes payload, and one ECC byte. If this command itself is possibly corrupt due to an uncorrectable ECC error, SoT or SoT Sync error, the requested READ data packet shall not be sent. Instead, the *Acknowledge and Error Report* packet shall be sent to notify the host.

Data type (hex)	Description	Packet size
11h	Generic Short Read Response, 1 byte returned	Short
12h	Generic Short Read Response, 2 bytes returned	Short

■ Generic Long Read Response

It is a long-packet response to *Generic READ Request*. Packet composition is DI byte, two bytes Word Count, ECC byte, N bytes of payload, and two bytes Checksum. If this command itself is possibly corrupt due to an uncorrectable ECC error, SoT or SoT Sync error, the requested READ data packet shall not be sent. Instead, the *Acknowledge and Error Report* packet shall be sent to notify the host.

Data type (hex)	Description	Packet size
1Ah	Generic Long Read response	Long

■ DCS Long Read Response

It is a long-packet response to *DCS Read Request*. Packet composition is DI byte, two bytes Word Count, ECC byte, N bytes payload, and two bytes Checksum. If this command itself is possibly corrupt due to an uncorrectable ECC error, SoT or SoT Sync error, the requested READ data packet shall not be sent. Instead, the *Acknowledge and Error Report* packet shall be sent to notify the host.

Data type (hex)	Description	Packet size
1Ch	DCS Long Read response	Long

■ DCS Short Read Response

It is a short-packet response to *DCS Read Request*. Packet composition is DI byte, two bytes payload, and ECC byte. If this command itself is possibly corrupt due to an uncorrectable ECC error, SoT or SoT Sync error, the requested READ data packet shall not be sent. Instead, the *Acknowledge and Error Report* packet shall be sent to notify the host.

Data type (hex)	Description	Packet size
21h	DCS Short Read Response, 1 byte returned	Short
22h	DCS Short Read Response, 2 bytes returned	Short

■ Acknowledge and Error Report

It is sent in response to any command, or read, request, with BTA asserted when a reportable error is detected in the preceding, or earlier, transmission from the host processor.

Data type (hex)	Description	Packet size
02h	Acknowledge and Error Report	Short

■ Generic Short Read Response

It is a short-packet response to *Generic READ Request*. Packet composition is data identifier (DI) byte, two bytes payload, and one ECC byte. If this command itself is possibly corrupt due to an uncorrectable ECC error, SoT or SoT Sync error, the requested READ data packet shall not be sent. Instead, the *Acknowledge and Error Report* packet shall be sent to notify the host.

Data type (hex)	Description	Packet size
11h	Generic Short Read Response, 1 byte returned	Short
12h	Generic Short Read Response, 2 bytes returned	Short

■ Generic Long Read Response

It is a long-packet response to *Generic READ Request*. Packet composition is DI byte, two bytes Word Count, ECC byte, N bytes of payload, and two bytes Checksum. If this command itself is possibly corrupt due to an uncorrectable ECC error, SoT or SoT Sync error, the requested READ data packet shall not be sent. Instead, the *Acknowledge and Error Report* packet shall be sent to notify the host.

Data type (hex)	Description	Packet size
1Ah	Generic Long Read response	Long

■ DCS Long Read Response

It is a long-packet response to *DCS Read Request*. Packet composition is DI byte, two bytes Word Count, ECC byte, N bytes payload, and two bytes Checksum. If this command itself is possibly corrupt due to an uncorrectable ECC error, SoT or SoT Sync error, the requested READ data packet shall not be sent. Instead, the *Acknowledge and Error Report* packet shall be sent to notify the host.

Data type (hex)	Description	Packet size
1Ch	DCS Long Read response	Long

■ DCS Short Read Response

It is a short-packet response to *DCS Read Request*. Packet composition is DI byte, two bytes payload, and ECC byte. If this command itself is possibly corrupt due to an uncorrectable ECC error, SoT or SoT Sync error, the requested READ data packet shall not be sent. Instead, the *Acknowledge and Error Report* packet shall be sent to notify the host.

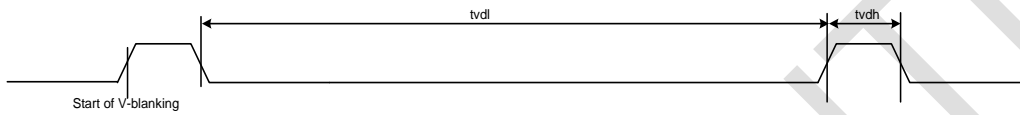
Data type (hex)	Description	Packet size
21h	DCS Short Read Response, 1 byte returned	Short
22h	DCS Short Read Response, 2 bytes returned	Short

5.4 Tearing Effect Output

A command mode display module has its own timing controller and local frame buffer for display refresh. In some cases the host processor needs to be notified of timing events on the display module. In a DSI system, a dedicated signal wire labeled TE (Tearing Effect) is provided to convey such timing information to the host processor when requested, using the bidirectional Data Lane. The PHY for DSI has no inherent interrupt capability from peripheral to host processor so the host processor shall either rely on polling, or it shall give bus ownership to the peripheral for extended periods.

The function of TE-reporting from display module is enabled and disabled by the following DCS commands: `set_tear_on(0x35h)`, `set_tear_scanline(0x44)`, and `set_tear_off(0x34h)`. Command `set_tear_on` and `set_tear_scanline` are sent to the display module as DSI data type 0x15 (DCS Short Write, one parameter) and DSI data type 0x39 (DCS Long Write/write_LUT), respectively. The TE output of different tearing effect modes are shown as follows:

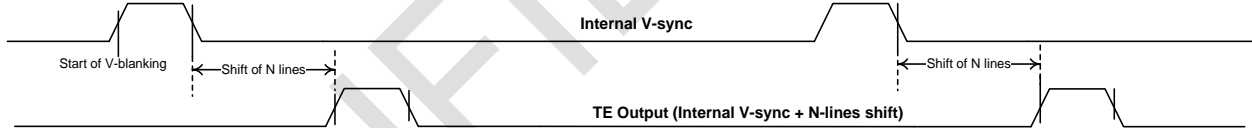
- Mode 1, TE output consists of V-sync information only:



- Mode 2, TE output consists of both V-sync and H-sync information:



- Mode 3, TE output after V-sync with N lines shift in every frame:



Mode selection for TE output

TEON (0x35h)	TELOM(0x35h[0])	STESL(0x44h[15:0])	TE Output
Command is not set	X	X	GND
Command is set	0	X	TE (Mode 1)
Command is set	1	16'b0	TE (Mode 2)
Command is set	1	N	TE (Mode 3)

5.5 Picture Parameter Set (PPS)

5.5.1 Compression Mode Command, Data Type = 00 0111 (0x07)

Some display stream compression parameters may be configured using the Compression Mode Command, which is a short packet consisting of a DI byte, a two-byte payload and an ECC byte. This packet signals whether compression is enabled or disabled and the coding system used to create a bitstream or codestream that is carried by the Compressed Pixel Stream data type transaction. This data type writes the compression mode parameters listed in Table PPS setting to the peripheral in advance of the codestream with timing dependency.

Table PPS setting

SP Byte	Bit Location	Bit Description And Assigned Values
Data 0	7:6	Reserved, bits equal 0
Data 0	5:4	PPS selector 00 = PPS Table 1 (or no tables stored, default reset value) 01 = PPS Table 2 10 = PPS Table 3 11 = PPS Table 4
Data 0	3	Reserved
Data 0	2:1	Algorithm identifier 00 = VESA DSC Standard 1.1 11 = vendor-specific algorithm 01, 10 = reserved, not used
Data 0	0	0 = compression disabled (default) 1 = compression enabled
Data 1	7:0	Reserved, bits equal 0

The Command mode contains a two-bit PPS Selector that may be used to enable a pre-stored PPS Table for controlling the compression decoder parameters. The processor sends this data type to change the decoder parameters that shall take effect following the next vertical sync or internal vertical sync (if using command mode). The PPS Selector is an optional field; if no table is stored in the receiver, the selector shall be 00b.

5.5.2 Picture Parameter Set (0x0A)

The Picture Parameter Set (PPS) data type is a long packet used to transmit a pre-defined set of parameters that control a compression coding system. The packet shall consist of a DI byte, a two-byte, non-zero WC, an ECC byte, a payload containing WC bytes, and a two-byte checksum. The size, content and timing context of this long packet is defined by the coding system designated in the Compression Mode data type, Compression Mode Command, and transported in the Compressed Image Format data type, Compressed Pixel Stream. Using this long packet, for example, may replace adding header markers to a bitstream.

If the peripheral receiver supports multiple, stored PPS tables, the received new PPS data is stored in the table designated by the Compression Mode PPS Selector if the table is writable.

5.5.3 Compressed Pixel Stream, Long Packet, Data Type = 00 1011 (0x0B)

The Compressed Pixel Stream is a long packet that carries compressed data to a Video Mode display module. This packet shall consist of a DI byte, a two-byte non-zero WC, an ECC byte, a payload containing WC bytes and a two-byte checksum, shown in Figure 30.

This is an optional packet, but if the pixel data is compressed, this packet shall carry the compressed image data when the Compression Mode packet (Compression Mode Command,) has signaled that compression is enabled.

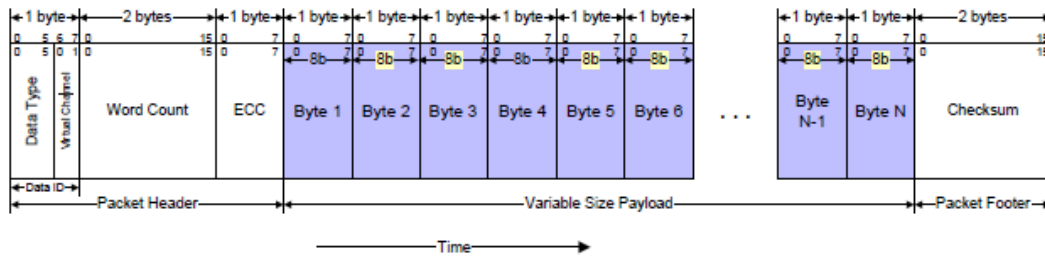
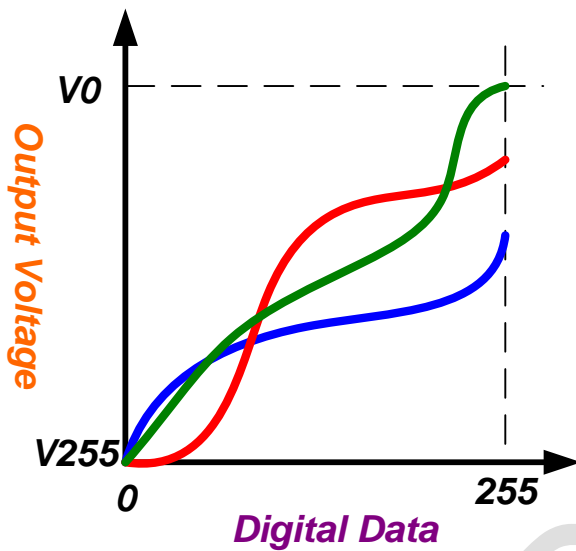


Figure 30 Compressed Pixel Stream Format, Long Packet

CONFIDENTIAL

5.6 Digital 3-Gamma Adjustment

The RM69700 supports independent gamma adjustment function for R, G and B dots separately to display maximum 16.7M colors of one pixel. This function is implemented by selecting different grayscale levels incorporating with gamma adjustment settings. The driver's source outputs corresponding to different color dots are briefly depicted in the following figure. The relation between source outputs and color dots is set by the selection of color order on the panel.



6. Command

6.1 Command List

■ User Command Set

Instruction	Address		D7	D6	D5	D4	D3	D2	D1	D0	Default
	MIPI	Non-MIPI									
NOP	00h	0000h	No argument								N/A
SWRESET	01h	0100h	No argument								N/A
RDDID	04h	0400h	ID1[7:0]								00h
		0401h	ID2[7:0]								80h
		0402h	ID3[7:0]								00h
RDNUMED	05h	0500h	RDNUMED[7:0]								00h
RDDPM	0Ah	0A00h	BSTON	IDMON	-	SLPOUT	NORON	DISPON	-	-	08h
RDDMADCTL	0Bh	0B00h	-	-	-	-	RGB	-	RSMX	RSMY	00h
RDDCOLMOD	0Ch	0C00h	-	VIPF2	VIPF1	VIPF0	-	IFPF2	IFPF1	IFPF0	77h
RDDIM	0Dh	0D00h	-	-	INVON	ALLPON	ALLPOFF	0	0	0	00h
RDDSM	0Eh	0E00h	TEON	M	-	-	-	-	-	ERR	00h
RDDSDR	0Fh	0F00h	D7	D6	D5	D4	-	-	-	CMP_BIT	00h
SLPIN	10h	1000h	No argument								N/A
SLPOUT	11h	1100h	No argument								N/A
PARON	12h	1200h	No argument								N/A
NORON	13h	1300h	No argument								N/A
INVOFF	20h	2000h	No argument								N/A
INVON	21h	2100h	No argument								N/A
ALLPOFF	22h	2200h	No argument								N/A
ALLPON	23h	2300h	No argument								N/A
DISPOFF	28h	2800h	No argument								N/A
DISPON	29h	2900h	No argument								N/A
RAMWR	2Ch	2C00h	No argument								N/A
TEOFF	34h	3400h	No argument								N/A
TEON	35h	3500h	0	0	0	0	0	0	0	TELOM	00h
MADCTL	36h	3600h	0	0	0	0	RGB	0	RSMX	RESMY	00h
IDMOFF	38h	3800h	No argument								N/A
IDMON	39h	3900h	No argument								N/A
COLMOD	3Ah	3A00h	0	VIPF2	VIPF1	VIPF0	0	IFPF2	IFPF1	IFPF0	77h
RAMWRC	3Ch	3C00h	D7	D6	D5	D4	D3	D2	D1	D0	00h
STESL	44h	4400h	STS[15:8]								00h
		4401h	STS[7:0]								00h
GSL	45h	4500h	-	-	-	-	GTS[11:8]				00h
		4501h	GTS[7:0]								00h

DSTBON	4Fh	00h	0	0	0	0	0	0	0	DSTB	00h
WRDISBV	51h	5100h	DBV[7:0]								00h
		5101h	DBV[15:8]								00h
RDISBV	52h	5200h	DBV[7:0]								00h
		5201h	DBV[15:8]								00h
WRHBMBC	53h	00h	HBM[1:0]		BC	0	DD	0	0	0	20h
RDHBMBC	54h	00h	HBM[1:0]		BC	-	DD	-	-	-	20h
WRRADACL	55h	00h	0	0	0	0	0	0	ACL[1:0]		00h
RDRADACL	56h	00h	-	-	-	-	-	-	ACL[1:0]		00h
WRCE	58h	00h	CTE_EN	CTE_LEVEL[3:0]				CTE_SLR_EN	0	0	48h
RDCE	59h	00h	CTE_EN	CTE_LEVEL[3:0]				CTE_SLR_EN	-	-	48h
WRCE1	5Ah	00h	SKIN_EN	0	SKIN_LEVEL[1:0]		EN_VIVID_ENH	0	CE_LEVEL[1:0]		11h
RDCE1	5Bh	00h	SKIN_EN	-	SKIN_LEVEL[1:0]		EN_VIVID_ENH	-	CE_LEVEL[1:0]		11h
WRCE2	5Ch	00h	SLR_EN	SLR_LEVEL[1:0]		EN_EDGE_ENH	EDGE_LEVEL[3:0]				24h
RDCE2	5Dh	00h	SLR_EN	SLR_LEVEL[1:0]		EN_EDGE_ENH	EDGE_LEVEL[3:0]				24h
WRCTS	62h	00h	TEMPER_EN	TEMPER_LEVEL[6:0]							00h
RDCTS	63h	00h	TEMPER_EN	TEMPER_LEVEL[6:0]							00h
WRPAPER	64h	00h	PER_EN	PAPER_LEVEL[6:0]							00h
RDPAPEER	65h	00h	PER_EN	PAPER_LEVEL[6:0]							00h
WRWB	66h	00h	WB_EN	0	0	0	0	0	0	0	00h
RDWB	67h	00h	WB_EN	-	-	-	-	-	-	-	00h
RDDDBS	A1h	A100h	SID[15:8]								00h
		A101h	SID[7:0]								00h
		A102h	MID[15:8]								00h
		A103h	MID[7:0]								00h
		A104h	1	1	1	1	1	1	1	1	1
RDDDBC	A8h	A800h	SID[15:8]								00h
		A801h	SID[7:0]								00h
		A802h	MID[15:8]								00h
		A803h	MID[7:0]								00h
		A804h	1	1	1	1	1	1	1	1	1
RDFCS	AAh	00h	FCS[7:0]								00h
RDCCS	AFh	00h	CCS[7:0]								00h
SETDSIMODE	C2h	00h	-	-	-	-	RM	-	DM[1:0]		08h
RDID1	DAh	00h	ID1[7:0]								00h
RDID2	DBh	00h	ID2[7:0]								80h

RDID3	DCh	00h	ID3[7:0]	00h
WRCMDPAGE	FEh	00h	CMD_PG_SEL[7:0]	00h
RDCMDPAGE	FFh	00h	CMD_PG_SEL[7:0]	00h

CONFIDENTIAL

Table of User Command Set

Instruction	Address		Status Availability			
	MIPI	Non-MIPI	Command(C) / Read (R) / Write (W)	Normal Mode On, Idle Mode Off, Sleep Out	Normal Mode On, Idle Mode On, Sleep Out	Sleep In
NOP	00h	0000h	C	Yes	Yes	Yes
SWRESET	01h	0100h	C	Yes	Yes	Yes
RDDID	04h	0400h	R	Yes	Yes	Yes
		0401h	R	Yes	Yes	Yes
		0402h	R	Yes	Yes	Yes
RDNUMED	05h	0500h	R	Yes	Yes	Yes
RDDPM	0Ah	0A00h	R	Yes	Yes	Yes
RDDMADCTL	0Bh	0B00h	R	Yes	Yes	Yes
RDDCOLMOD	0Ch	0C00h	R	Yes	Yes	Yes
RDDIM	0Dh	0D00h	R	Yes	Yes	Yes
RDDSM	0Eh	0E00h	R	Yes	Yes	Yes
RDDSDR	0Fh	0F00h	R	Yes	Yes	Yes
SLPIN	10h	1000h	C	Yes	Yes	Yes
SLPOUT	11h	1100h	C	Yes	Yes	Yes
PARON	12h	1200h	C	Yes	Yes	Yes
NORON	13h	1300h	C	Yes	Yes	Yes
INVOFF	20h	2000h	C	Yes	Yes	Yes
INVON	21h	2100h	C	Yes	Yes	Yes
ALLPOFF	22h	2200h	C	Yes	Yes	Yes
ALLPON	23h	2300h	C	Yes	Yes	Yes
DISPOFF	28h	2800h	C	Yes	Yes	Yes
DISPON	29h	2900h	C	Yes	Yes	Yes
RAMWR	2Ch	2C00h	W	Yes	Yes	Yes
TEOFF	34h	3400h	C	Yes	Yes	Yes
TEON	35h	3500h	W	Yes	Yes	Yes
MADCTL	36h	3600h	W	Yes	Yes	Yes
IDMOFF	38h	3800h	C	Yes	Yes	Yes
IDMON	39h	3900h	C	Yes	Yes	Yes
COLMOD	3Ah	3A00h	W	Yes	Yes	Yes
RAMWRC	3Ch	3C00h	W	Yes	Yes	Yes
STESL	44h	4400h	W	Yes	Yes	Yes
		4401h	W	Yes	Yes	Yes
GSL	45h	4500h	R	Yes	Yes	Yes
		4501h	R	Yes	Yes	Yes
DSTBON	4Fh	00h	W	Yes	Yes	Yes

WRDISBV	51h	5100h	W	Yes	Yes	Yes
		5101h	W	Yes	Yes	Yes
RDDISBV	52h	5200h	R	Yes	Yes	Yes
		5201h	R	Yes	Yes	Yes
WRHBMBC	53h	00h	W	Yes	Yes	Yes
RDHBMBC	54h	00h	R	Yes	Yes	Yes
WRRADACL	55h	00h	W	Yes	Yes	Yes
RDRADACL	56h	00h	R	Yes	Yes	Yes
WRCE	58h	00h	W	Yes	Yes	Yes
RDCE	59h	00h	R	Yes	Yes	Yes
WRCE1	5Ah	00h	W	Yes	Yes	Yes
RDCE1	5Bh	00h	R	Yes	Yes	Yes
WRCE2	5Ch	00h	W	Yes	Yes	Yes
RDCE2	5Dh	00h	R	Yes	Yes	Yes
WRCTS	62h	00h	W/R	Yes	Yes	Yes
RDCTS	63h	00h	R	Yes	Yes	Yes
WRPAPER	64h	00h	W/R	Yes	Yes	Yes
RDPAPER	65h	00h	R	Yes	Yes	Yes
WRWB	66h	00h	W/R	Yes	Yes	Yes
RDWB	67h	00h	R	Yes	Yes	Yes
RDDDBS	A1h	A100h	R	Yes	Yes	Yes
		A101h	R	Yes	Yes	Yes
		A102h	R	Yes	Yes	Yes
		A103h	R	Yes	Yes	Yes
		A104h	R	Yes	Yes	Yes
RDDDBC	A8h	A800h	R	Yes	Yes	Yes
		A801h	R	Yes	Yes	Yes
		A802h	R	Yes	Yes	Yes
		A803h	R	Yes	Yes	Yes
		A804h	R	Yes	Yes	Yes
RDFCS	AAh	00h	R	Yes	Yes	Yes
RDCCS	AFh	00h	R	Yes	Yes	Yes
SETDSIMODE	C2h	00h	W	Yes	Yes	Yes
RDID1	DAh	00h	R	Yes	Yes	Yes
RDID2	DBh	00h	R	Yes	Yes	Yes
RDID3	DCh	00h	R	Yes	Yes	Yes
WRCMDPAGE	FEh	00h	W	Yes	Yes	Yes
RDCMDPAGE	FFh	00h	R	Yes	Yes	Yes

MIPI Data Type

	Instruction Code	MIPI	03h Generic Short Write no para	13h Generic Short Write 1para	23h Generic Short Write 2para	29h Generic Long Write	04h Generic Read no para	14h Generic Read 1 para	24h Generic Read 2para	05h DCS Write no para	15h DCS Write 1 para	39h DCS Long Write	06h DCS Read no para
	NOP	00h		YES	YES	YES				YES	YES	YES	
	SWRESET	01h		YES	YES	YES				YES	YES	YES	
	RDDID	04h						YES	YES				YES
	RDDNUMED	05h						YES	YES				YES
	RDDPDM	0Ah						YES	YES				YES
	RDDMADCTL	0Bh						YES	YES				YES
	RDDCOLMOD	0Ch						YES	YES				YES
	RDDIM	0Dh						YES	YES				YES
	RDDSM	0Eh						YES	YES				YES
	RDDSDR	0Fh						YES	YES				YES
	SLPIN	10h		YES	YES	YES				YES	YES	YES	
	SLPOUT	11h		YES	YES	YES				YES	YES	YES	
	PARON	12h		YES	YES	YES				YES	YES	YES	
	NORON	13h		YES	YES	YES				YES	YES	YES	
	INVOFF	20h		YES	YES	YES				YES	YES	YES	
	INVON	21h		YES	YES	YES				YES	YES	YES	
	ALLPOFF	22h		YES	YES	YES				YES	YES	YES	
	ALLPON	23h		YES	YES	YES				YES	YES	YES	
	DISPOFF	28h		YES	YES	YES				YES	YES	YES	
	DISPON	29h		YES	YES	YES				YES	YES	YES	
	RAMWR	2Ch		YES	YES	YES				YES	YES	YES	
	TEOFF	34h		YES	YES	YES				YES	YES	YES	
	TEON	35h		YES	YES	YES		YES	YES	YES	YES	YES	YES
	MADCTL	36h			YES	YES		YES	YES		YES	YES	YES
	IDMOFF	38h		YES	YES	YES				YES	YES	YES	
	IDMON	39h		YES	YES	YES				YES	YES	YES	
	COLMOD	3Ah			YES	YES		YES	YES		YES	YES	YES
	RAMWRC	3Ch			YES	YES					YES	YES	
	STESL	44h				YES		YES	YES			YES	YES
	GSL	45h						YES	YES				YES
	DSTBON	4Fh			YES	YES		YES	YES		YES	YES	YES
	WRDISBV	51h				YES		YES	YES			YES	YES
	RDDISBV	52h						YES	YES				YES
	WRHBMBC	53h			YES	YES		YES	YES		YES	YES	YES
	RDHBMBC	54h						YES	YES				YES
	WRRADACL	55h			YES	YES		YES	YES		YES	YES	YES
	RDRADACL	56h						YES	YES				YES
	WRCE	58h			YES	YES		YES	YES		YES	YES	YES
	RDCE	59h						YES	YES				YES
	WRCE1	5Ah			YES	YES		YES	YES		YES	YES	YES
	RDCE1	5Bh						YES	YES				YES
	WRCE2	5Ch			YES	YES		YES	YES		YES	YES	YES
	RDCE2	5Dh						YES	YES				YES
	WRCTS	62h			YES	YES		YES	YES		YES	YES	YES
	RDCTS	63h						YES	YES				YES
	WRPAPER	64h			YES	YES		YES	YES		YES	YES	YES
	RD PAPER	65h						YES	YES				YES
	WRWB	66h			YES	YES		YES	YES		YES	YES	YES
	RDWB	67h						YES	YES				YES
	RDDDBS	A1h						YES	YES				YES
	RDDDBC	A8h						YES	YES				YES
	RDFCS	AAh						YES	YES				YES

DCS

	RDCCS	AFh					YES	YES				YES
	SETDSIMODE	C2h			YES	YES	YES	YES		YES	YES	YES
	RDID1	DAh					YES	YES				YES
	RDID2	DBh					YES	YES				YES
	RDID3	DCh					YES	YES				YES
	WRCMDPAGE	FEh			YES	YES	YES	YES		YES	YES	YES
	RDCMDPAGE	FFh					YES	YES				YES
M C S	Page 0				YES	YES	YES	YES		YES	YES	YES
	Page 1				YES	YES	YES	YES		YES	YES	YES
	Page 2				YES	YES	YES	YES		YES	YES	YES
	Page 3				YES	YES	YES	YES		YES	YES	YES
	Page 4				YES	YES	YES	YES		YES	YES	YES
	Page 5				YES	YES	YES	YES		YES	YES	YES
	Page 6				YES	YES	YES	YES		YES	YES	YES
	Page 7				YES	YES	YES	YES		YES	YES	YES
	Page 8				YES	YES	YES	YES		YES	YES	YES

CONFIDENTIAL

6.2 Command Description

NOP (0000h): No Operation

0000H	NOP											
Instruction	R/W	Address		Parameter								HEX
		MIPI	Other	D15-8	D7	D6	D5	D4	D3	D2	D1	
NOP	W	00h	0000h	No Argument								-
Description	This command is an empty command and has no effect on the display module.											
Restriction	None											
Register Availability	Status		Availability									
	Normal Mode On, Idle Mode Off, Sleep Out		Yes									
	Normal Mode On, Idle Mode On, Sleep Out		Yes									
	Partial Mode On, Idle Mode Off, Sleep Out		N/A									
	Partial Mode On, Idle Mode On, Sleep Out		N/A									
	Sleep In		Yes									
Default	Status		Default Value									
	Power On Sequence		N/A									
	SW Reset		N/A									
	HW Reset		N/A									
Flow Chart	None											

SWRESET (0100h): Software Reset

0100H	SWRESET																							
Instruction	R/W	Address		Parameter								HEX												
		MIPI	Other	D15-8	D7	D6	D5	D4	D3	D2	D1		D0											
SWRESET	W	01h	0100h	No Argument								-												
Description	When the Software Reset command is being executed, all related commands and parameters are reset to their S/W Reset default values.																							
Restriction	Software reset command cannot be sent during <i>Sleep-Out</i> sequence. Any new command cannot be sent within 10-frame period until the device enters <i>Sleep-In</i> mode.																							
Register Availability	<table border="1"> <thead> <tr> <th>Status</th> <th>Availability</th> </tr> </thead> <tbody> <tr> <td>Normal Mode On, Idle Mode Off, Sleep Out</td> <td>Yes</td> </tr> <tr> <td>Normal Mode On, Idle Mode On, Sleep Out</td> <td>Yes</td> </tr> <tr> <td>Partial Mode On, Idle Mode Off, Sleep Out</td> <td>N/A</td> </tr> <tr> <td>Partial Mode On, Idle Mode On, Sleep Out</td> <td>N/A</td> </tr> <tr> <td>Sleep In</td> <td>Yes</td> </tr> </tbody> </table>												Status	Availability	Normal Mode On, Idle Mode Off, Sleep Out	Yes	Normal Mode On, Idle Mode On, Sleep Out	Yes	Partial Mode On, Idle Mode Off, Sleep Out	N/A	Partial Mode On, Idle Mode On, Sleep Out	N/A	Sleep In	Yes
Status	Availability																							
Normal Mode On, Idle Mode Off, Sleep Out	Yes																							
Normal Mode On, Idle Mode On, Sleep Out	Yes																							
Partial Mode On, Idle Mode Off, Sleep Out	N/A																							
Partial Mode On, Idle Mode On, Sleep Out	N/A																							
Sleep In	Yes																							
Default	<table border="1"> <thead> <tr> <th>Status</th> <th>Default Value</th> </tr> </thead> <tbody> <tr> <td>Power On Sequence</td> <td>N/A</td> </tr> <tr> <td>SW Reset</td> <td>N/A</td> </tr> <tr> <td>HW Reset</td> <td>N/A</td> </tr> </tbody> </table>												Status	Default Value	Power On Sequence	N/A	SW Reset	N/A	HW Reset	N/A				
Status	Default Value																							
Power On Sequence	N/A																							
SW Reset	N/A																							
HW Reset	N/A																							
Flow Chart	<pre> graph TD subgraph Host_Driver [Host Driver] C[SWRESET (01h)] end subgraph Device D1{{Display whole blank screen}} D2{{Set commands to S/W default value}} D3([Sleep-In Mode]) end C -.-> D1 D1 --> D2 D2 --> D3 </pre> <p>Legend</p> <ul style="list-style-type: none"> Command: Rectangle Parameter: Parallelogram Display: Hexagon Action: Pentagon Mode: Oval Sequential transfer: Curved arrow 																							

RDDID (0400h): Read Display ID

0400H		RDDID																								
Instruction	R/W	Address		Parameter								HEX														
		MIPI	Other	D15-8	D7	D6	D5	D4	D3	D2	D1		D0													
RDDID	R	04h	0400h	-	ID1[7:0]						00															
			0401h	-	ID2[7:0]						80															
			0402h	-	ID3[7:0]						00															
Description	Command RDDID reads ID data. Its readout data is multiple parameters: The 1 st parameter ID1 is the module's manufacture ID. The 2 nd parameter ID2 is the module/driver version ID. The 3 rd parameter ID3 is the module/driver ID																									
Restriction																										
Register Availability	<table border="1"> <thead> <tr> <th>Status</th> <th>Availability</th> </tr> </thead> <tbody> <tr> <td>Normal Mode On, Idle Mode Off, Sleep Out</td> <td>Yes</td> </tr> <tr> <td>Normal Mode On, Idle Mode On, Sleep Out</td> <td>Yes</td> </tr> <tr> <td>Partial Mode On, Idle Mode Off, Sleep Out</td> <td>N/A</td> </tr> <tr> <td>Partial Mode On, Idle Mode On, Sleep Out</td> <td>N/A</td> </tr> <tr> <td>Sleep In</td> <td>Yes</td> </tr> </tbody> </table>												Status	Availability	Normal Mode On, Idle Mode Off, Sleep Out	Yes	Normal Mode On, Idle Mode On, Sleep Out	Yes	Partial Mode On, Idle Mode Off, Sleep Out	N/A	Partial Mode On, Idle Mode On, Sleep Out	N/A	Sleep In	Yes		
Status	Availability																									
Normal Mode On, Idle Mode Off, Sleep Out	Yes																									
Normal Mode On, Idle Mode On, Sleep Out	Yes																									
Partial Mode On, Idle Mode Off, Sleep Out	N/A																									
Partial Mode On, Idle Mode On, Sleep Out	N/A																									
Sleep In	Yes																									
Default	<table border="1"> <thead> <tr> <th rowspan="2">Status</th> <th colspan="2">Default Value</th> </tr> <tr> <th>After OTP</th> <th>Before OTP</th> </tr> </thead> <tbody> <tr> <td>Power On Sequence</td> <td>OTP value</td> <td>ID1=00h / ID2=80h / ID3=00h</td> </tr> <tr> <td>SW Reset</td> <td>OTP value</td> <td>ID1=00h / ID2=80h / ID3=00h</td> </tr> <tr> <td>HW Reset</td> <td>OTP value</td> <td>ID1=00h / ID2=80h / ID3=00h</td> </tr> </tbody> </table>												Status	Default Value		After OTP	Before OTP	Power On Sequence	OTP value	ID1=00h / ID2=80h / ID3=00h	SW Reset	OTP value	ID1=00h / ID2=80h / ID3=00h	HW Reset	OTP value	ID1=00h / ID2=80h / ID3=00h
Status	Default Value																									
	After OTP	Before OTP																								
Power On Sequence	OTP value	ID1=00h / ID2=80h / ID3=00h																								
SW Reset	OTP value	ID1=00h / ID2=80h / ID3=00h																								
HW Reset	OTP value	ID1=00h / ID2=80h / ID3=00h																								
Flow Chart	<pre> graph TD subgraph Host C[RDDID (04h)] end subgraph Driver P1[/Send 1st parameter ID1[7:0]/] P2[/Send 2nd parameter ID2[7:0]/] P3[/Send 3rd parameter ID3[7:0]/] end C --> P1 P1 --> P2 P2 --> P3 </pre> <p>Legend</p> <ul style="list-style-type: none"> Command: Rectangle Parameter: Parallelogram Display: Oval Action: Arrow Mode: Rounded rectangle Sequential transfer: Curved arrow 																									

RDNUMED (0500h): Read Number of Errors on DSI

0500H		RDNUMED											HEX											
Instruction	R/W	Address			Parameter																			
		MIPI	Other	D15-8	D7	D6	D5	D4	D3	D2	D1	D0												
RDNUMED	R	05h	-	-	P[7:0]								00											
Description	<p>This read command is only applied to MIPI DSI interface and is of no function for other interfaces. The returned data is the recorded parity errors on DSI.</p> <p>P[6:0] represents the number of parity errors.</p> <p>P[7] is set to be "1" if there is overflow of P[6:0],</p> <p>P[7:0] as well as RDDSM's D[0] are reset to be "0"s after the read command is finished.</p>																							
Restriction																								
Register Availability	<table border="1"> <thead> <tr> <th>Status</th> <th>Availability</th> </tr> </thead> <tbody> <tr> <td>Normal Mode On, Idle Mode Off, Sleep Out</td> <td>Yes</td> </tr> <tr> <td>Normal Mode On, Idle Mode On, Sleep Out</td> <td>Yes</td> </tr> <tr> <td>Partial Mode On, Idle Mode Off, Sleep Out</td> <td>N/A</td> </tr> <tr> <td>Partial Mode On, Idle Mode On, Sleep Out</td> <td>N/A</td> </tr> <tr> <td>Sleep In</td> <td>Yes</td> </tr> </tbody> </table>												Status	Availability	Normal Mode On, Idle Mode Off, Sleep Out	Yes	Normal Mode On, Idle Mode On, Sleep Out	Yes	Partial Mode On, Idle Mode Off, Sleep Out	N/A	Partial Mode On, Idle Mode On, Sleep Out	N/A	Sleep In	Yes
Status	Availability																							
Normal Mode On, Idle Mode Off, Sleep Out	Yes																							
Normal Mode On, Idle Mode On, Sleep Out	Yes																							
Partial Mode On, Idle Mode Off, Sleep Out	N/A																							
Partial Mode On, Idle Mode On, Sleep Out	N/A																							
Sleep In	Yes																							
Default	<table border="1"> <thead> <tr> <th>Status</th> <th>Default Value</th> </tr> </thead> <tbody> <tr> <td>Power On Sequence</td> <td>00h</td> </tr> <tr> <td>SW Reset</td> <td>00h</td> </tr> <tr> <td>HW Reset</td> <td>00h</td> </tr> </tbody> </table>												Status	Default Value	Power On Sequence	00h	SW Reset	00h	HW Reset	00h				
Status	Default Value																							
Power On Sequence	00h																							
SW Reset	00h																							
HW Reset	00h																							
Flow Chart	<pre> graph TD subgraph Host C[RDNUMED (05h)] end subgraph Driver P[/Send 1st parameter/] R{{P[7:0]=00h RDDSM(0Eh)'s D[0]='0'}} end C --> P P --> R </pre> <p>Legend:</p> <ul style="list-style-type: none"> Command: Rectangle Parameter: Trapezoid Display: Hexagon Action: Arrow Mode: Oval Sequential transfer: Oval with tail 																							

RDDPM (0A00h): Read Display Power Mode

0A00H		RDDPM																								
Instruction	R/W	Address		Parameter									HEX													
		MIPI	Other	D15-8	D7	D6	D5	D4	D3	D2	D1	D0														
RDDPM	R	0Ah	0A00h	-	D7	D6	-	D4	D3	D2	-	-	08													
Description	This command indicates the status of display driver's power and operation mode:																									
	Bit	Symbol	Description		Comment																					
	D7	BSTON	Boost Status		1 = Boost on, 0 = Boost off																					
	D6	IDMON	Idle Mode On/Off		1 = Idle Mode On, 0 = Idle Mode Off																					
	D4	SLPON	Sleep In/Out		1 = Sleep Out, 0 = Sleep In																					
	D3	NORON	Display Normal Mode On/Off		1 = Normal Display, 0 = Partial Display																					
D2	DISPON	Display On/Off		1 = Display On, 0 = Display Off																						
Register Availability	<table border="1"> <thead> <tr> <th>Status</th> <th>Availability</th> </tr> </thead> <tbody> <tr> <td>Normal Mode On, Idle Mode Off, Sleep Out</td> <td>Yes</td> </tr> <tr> <td>Normal Mode On, Idle Mode On, Sleep Out</td> <td>Yes</td> </tr> <tr> <td>Partial Mode On, Idle Mode Off, Sleep Out</td> <td>N/A</td> </tr> <tr> <td>Partial Mode On, Idle Mode On, Sleep Out</td> <td>N/A</td> </tr> <tr> <td>Sleep In</td> <td>Yes</td> </tr> </tbody> </table>													Status	Availability	Normal Mode On, Idle Mode Off, Sleep Out	Yes	Normal Mode On, Idle Mode On, Sleep Out	Yes	Partial Mode On, Idle Mode Off, Sleep Out	N/A	Partial Mode On, Idle Mode On, Sleep Out	N/A	Sleep In	Yes	
	Status	Availability																								
	Normal Mode On, Idle Mode Off, Sleep Out	Yes																								
	Normal Mode On, Idle Mode On, Sleep Out	Yes																								
	Partial Mode On, Idle Mode Off, Sleep Out	N/A																								
	Partial Mode On, Idle Mode On, Sleep Out	N/A																								
Sleep In	Yes																									
Default	<table border="1"> <thead> <tr> <th>Status</th> <th>Default Value</th> </tr> </thead> <tbody> <tr> <td>Power On Sequence</td> <td>08h</td> </tr> <tr> <td>SW Reset</td> <td>08h</td> </tr> <tr> <td>HW Reset</td> <td>08h</td> </tr> </tbody> </table>													Status	Default Value	Power On Sequence	08h	SW Reset	08h	HW Reset	08h					
	Status	Default Value																								
	Power On Sequence	08h																								
	SW Reset	08h																								
HW Reset	08h																									
Flow Chart	<pre> graph TD Host[Host] -- RDDPM (0Ah) --> Driver[Driver] Driver -- Send D[7:0] --> Host </pre>																									
	<table border="1"> <thead> <tr> <th colspan="2">Legend</th> </tr> </thead> <tbody> <tr> <td></td> <td>Command</td> </tr> <tr> <td></td> <td>Parameter</td> </tr> <tr> <td></td> <td>Display</td> </tr> <tr> <td></td> <td>Action</td> </tr> <tr> <td></td> <td>Mode</td> </tr> <tr> <td></td> <td>Sequential transfer</td> </tr> </tbody> </table>													Legend			Command		Parameter		Display		Action		Mode	
Legend																										
	Command																									
	Parameter																									
	Display																									
	Action																									
	Mode																									
	Sequential transfer																									

RDDMADCTL (0B00h): Read Display MADCTL

0B00H		RDDMADCTL											
Instruction	R/W	Address		Parameter								HEX	
		MIPI	Other	D15-8	D7	D6	D5	D4	D3	D2	D1		D0
RDDMADCTL	R	0Bh	0B00h	-	-	-	0	-	D3	-	D1	D0	00
Description	This command indicates the current display status as described in the table below:												
	Bit	Symbol	Description	Comment									
	D7	Reserved	-	0									
	D6	Reserved	-	0									
	D4	Reserved	-	0									
	D3	RGB	Color order of sub-pixel	1 = BGR, 0 = RGB									
	D2	Reserved	-	0									
	D1	RSMX	Horizontal Flip	0 = Normal display 1 = Horizontal flip									
D0	RSMY	Vertical Flip	0 = Normal display 1 = Vertical flip										
Register Availability	Status		Availability										
	Normal Mode On, Idle Mode Off, Sleep Out		Yes										
	Normal Mode On, Idle Mode On, Sleep Out		Yes										
	Partial Mode On, Idle Mode Off, Sleep Out		N/A										
	Partial Mode On, Idle Mode On, Sleep Out		N/A										
Default	Status		Default Value										
	Power On Sequence		00h										
	SW Reset		00h										
	HW Reset		00h										
Flow Chart	<p>The flow chart illustrates the communication between a Host and a Driver. The Host sends the RDDMADCTR (0Bh) command to the Driver. The Driver then sends the parameter D[7:0] back to the Host. A legend defines the symbols used in the flow chart: Command (rectangle), Parameter (parallelogram), Display (oval), Action (arrowhead), Mode (rounded rectangle), and Sequential transfer (oval with a tail).</p>												

RDDCOLMOD (0C00h): Read Display Pixel Format

0C00H	RDDCOLMOD												
Instruction	R/W	Address		Parameter								HEX	
		MIPI	Other	D15-8	D7	D6	D5	D4	D3	D2	D1		D0
RDDCOLMOD	R	0Ch	0C00h	-	0	VIPF[2:0]			0	IFPF[2:0]			70
Description	This command indicates the current status of the display as described in the table below:												
	Bit	Symbol	Description						Comment				
	D6	VIPF[2]	DPI Pixel format (RGB interface color format)						3'b101 = 16-bit / pixel,				
	D5	VIPF[1]							3'b110 = 18-bit / pixel,				
	D4	VIPF[0]							3'b111 = 24-bit / pixel,				
	D2	IFPF[2]	DPI Pixel format (Control interface color format)						3'b101 = 16-bit / pixel,				
	D1	IFPF[1]							3'b110 = 18-bit / pixel,				
D0	IFPF[0]	3'b111 = 24-bit / pixel,											
Register Availability	Status						Availability						
	Normal Mode On, Idle Mode Off, Sleep Out						Yes						
	Normal Mode On, Idle Mode On, Sleep Out						Yes						
	Partial Mode On, Idle Mode Off, Sleep Out						N/A						
	Partial Mode On, Idle Mode On, Sleep Out						N/A						
	Sleep In						Yes						
Default	Status						Default Value						
	Power On Sequence						70h						
	SW Reset						70h						
	HW Reset						70h						
Flow Chart	<p>The flow chart illustrates the command sequence. A box labeled 'RDDCOLMOD (0Ch)' is connected by a dashed arrow to a parallelogram labeled 'Send D[7:0]'. A dashed line separates the 'Host' (left) from the 'Driver' (right). A legend on the right defines symbols: a rectangle for 'Command', a parallelogram for 'Parameter', a trapezoid for 'Display', an arrow for 'Action', an oval for 'Mode', and an oval with an arrow for 'Sequential transfer'.</p>												

RDDIM (0D00h): Read Display Image Mode

0D00H	RDDIM																									
Instruction	R/W	Address		Parameter									HEX													
		MIPI	Other	D15-8	D7	D6	D5	D4	D3	D2	D1	D0														
RDDIM	R	0Dh	0D00h	-	0	0	D5	D4	D3	0	0	0	00													
Description	The display module returns the display image mode status.																									
	Bit	Symbol	Description	Comment																						
	D5	INVON	Inversion On/Off	1 = Inversion is On, 0 = Inversion is Off																						
	D4	ALLPON	All Pixel On	0 = Normal display 1 = White display (all-pixel on)																						
D3	ALLPOFF	All Pixel Off	0 = Normal display 1 = Black display (all-pixel off)																							
Register Availability	<table border="1"> <thead> <tr> <th>Status</th> <th>Availability</th> </tr> </thead> <tbody> <tr> <td>Normal Mode On, Idle Mode Off, Sleep Out</td> <td>Yes</td> </tr> <tr> <td>Normal Mode On, Idle Mode On, Sleep Out</td> <td>Yes</td> </tr> <tr> <td>Partial Mode On, Idle Mode Off, Sleep Out</td> <td>N/A</td> </tr> <tr> <td>Partial Mode On, Idle Mode On, Sleep Out</td> <td>N/A</td> </tr> <tr> <td>Sleep In</td> <td>Yes</td> </tr> </tbody> </table>													Status	Availability	Normal Mode On, Idle Mode Off, Sleep Out	Yes	Normal Mode On, Idle Mode On, Sleep Out	Yes	Partial Mode On, Idle Mode Off, Sleep Out	N/A	Partial Mode On, Idle Mode On, Sleep Out	N/A	Sleep In	Yes	
	Status	Availability																								
	Normal Mode On, Idle Mode Off, Sleep Out	Yes																								
	Normal Mode On, Idle Mode On, Sleep Out	Yes																								
	Partial Mode On, Idle Mode Off, Sleep Out	N/A																								
	Partial Mode On, Idle Mode On, Sleep Out	N/A																								
Sleep In	Yes																									
Default	<table border="1"> <thead> <tr> <th>Status</th> <th>Default Value</th> </tr> </thead> <tbody> <tr> <td>Power On Sequence</td> <td>00h</td> </tr> <tr> <td>SW Reset</td> <td>00h</td> </tr> <tr> <td>HW Reset</td> <td>00h</td> </tr> </tbody> </table>													Status	Default Value	Power On Sequence	00h	SW Reset	00h	HW Reset	00h					
	Status	Default Value																								
	Power On Sequence	00h																								
	SW Reset	00h																								
HW Reset	00h																									
Flow Chart	<pre> graph TD Host[Host] -- RDDIM (0Dh) --> Driver[Driver] Driver -- Send D[7:0] --> Data[Data] </pre>																									
	<table border="1"> <thead> <tr> <th colspan="2">Legend</th> </tr> </thead> <tbody> <tr> <td>Command</td> <td>[Rectangle]</td> </tr> <tr> <td>Parameter</td> <td>[Parallelogram]</td> </tr> <tr> <td>Display</td> <td>[Oval]</td> </tr> <tr> <td>Action</td> <td>[Arrow]</td> </tr> <tr> <td>Mode</td> <td>[Rounded Rectangle]</td> </tr> <tr> <td>Sequential transfer</td> <td>[Speech Bubble]</td> </tr> </tbody> </table>													Legend		Command	[Rectangle]	Parameter	[Parallelogram]	Display	[Oval]	Action	[Arrow]	Mode	[Rounded Rectangle]	Sequential transfer
Legend																										
Command	[Rectangle]																									
Parameter	[Parallelogram]																									
Display	[Oval]																									
Action	[Arrow]																									
Mode	[Rounded Rectangle]																									
Sequential transfer	[Speech Bubble]																									

RDDSM (0E00h): Read Display Signal Mode

0E00H		RDDSM																						
Instruction	R/W	Address		Parameter									HEX											
		MIPI	Other	D15-8	D7	D6	D5	D4	D3	D2	D1	D0												
RDDSM	R	0Eh	0E00h	-	D7	D6	0	0	0	0	0	D0	00											
Description	The display module returns the Display Signal Mode.																							
	Bit	Symbol	Description		Comment																			
	D7	TEON	Tearing effect line on/off		1 = On, 0 = Off																			
	D6	M	Tearing effect line mode		0 = Mode-1, 1 = Mode-2																			
D0	Err	Error on DSI		0 = No Error, 1 = Error exists																				
Register Availability	<table border="1"> <thead> <tr> <th>Status</th> <th>Availability</th> </tr> </thead> <tbody> <tr> <td>Normal Mode On, Idle Mode Off, Sleep Out</td> <td>Yes</td> </tr> <tr> <td>Normal Mode On, Idle Mode On, Sleep Out</td> <td>Yes</td> </tr> <tr> <td>Partial Mode On, Idle Mode Off, Sleep Out</td> <td>N/A</td> </tr> <tr> <td>Partial Mode On, Idle Mode On, Sleep Out</td> <td>N/A</td> </tr> <tr> <td>Sleep In</td> <td>Yes</td> </tr> </tbody> </table>												Status	Availability	Normal Mode On, Idle Mode Off, Sleep Out	Yes	Normal Mode On, Idle Mode On, Sleep Out	Yes	Partial Mode On, Idle Mode Off, Sleep Out	N/A	Partial Mode On, Idle Mode On, Sleep Out	N/A	Sleep In	Yes
	Status	Availability																						
	Normal Mode On, Idle Mode Off, Sleep Out	Yes																						
	Normal Mode On, Idle Mode On, Sleep Out	Yes																						
	Partial Mode On, Idle Mode Off, Sleep Out	N/A																						
Partial Mode On, Idle Mode On, Sleep Out	N/A																							
Sleep In	Yes																							
Default	<table border="1"> <thead> <tr> <th>Status</th> <th>Default Value</th> </tr> </thead> <tbody> <tr> <td>Power On Sequence</td> <td>00h</td> </tr> <tr> <td>SW Reset</td> <td>00h</td> </tr> <tr> <td>HW Reset</td> <td>00h</td> </tr> </tbody> </table>												Status	Default Value	Power On Sequence	00h	SW Reset	00h	HW Reset	00h				
	Status	Default Value																						
	Power On Sequence	00h																						
	SW Reset	00h																						
HW Reset	00h																							
Flow Chart	<p>The flow chart illustrates the communication between a Host and a Driver. A Host sends the RDDSM (0Eh) command to the Driver. The Driver then sends back the parameter D[7:0]. A legend defines the symbols used: a rectangle for Command, a parallelogram for Parameter, a rounded rectangle for Display, a chevron for Action, an oval for Mode, and a speech bubble for Sequential transfer.</p>																							

RDDSDR (0F00h): Read Display Self-Diagnostic Result

0F00H		RDDSDR																								
Instruction	R/W	Address		Parameter									HEX													
		MIPI	Other	D15-8	D7	D6	D5	D4	D3	D2	D1	D0														
RDDSDR	R	0Fh	0F00h	-	D7	D6	D5	D4	0	0	0	D0	00													
Description	The display module returns the self-diagnostic results following a Sleep Out command.																									
	Bit	Symbol	Description		Comment																					
	D7	D7	Register loading check		Respond with SLPOUT command if check result are ok																					
	D6	D6	Functionality check																							
	D5	D5	Chip attachment check																							
	D4	D4	Display glass break detect																							
D0	CMP_BIT	Checksum Comparison		0 = Match, 1 = Not match																						
Register Availability	<table border="1"> <thead> <tr> <th>Status</th> <th>Availability</th> </tr> </thead> <tbody> <tr> <td>Normal Mode On, Idle Mode Off, Sleep Out</td> <td>Yes</td> </tr> <tr> <td>Normal Mode On, Idle Mode On, Sleep Out</td> <td>Yes</td> </tr> <tr> <td>Partial Mode On, Idle Mode Off, Sleep Out</td> <td>N/A</td> </tr> <tr> <td>Partial Mode On, Idle Mode On, Sleep Out</td> <td>N/A</td> </tr> <tr> <td>Sleep In</td> <td>Yes</td> </tr> </tbody> </table>													Status	Availability	Normal Mode On, Idle Mode Off, Sleep Out	Yes	Normal Mode On, Idle Mode On, Sleep Out	Yes	Partial Mode On, Idle Mode Off, Sleep Out	N/A	Partial Mode On, Idle Mode On, Sleep Out	N/A	Sleep In	Yes	
	Status	Availability																								
	Normal Mode On, Idle Mode Off, Sleep Out	Yes																								
	Normal Mode On, Idle Mode On, Sleep Out	Yes																								
	Partial Mode On, Idle Mode Off, Sleep Out	N/A																								
	Partial Mode On, Idle Mode On, Sleep Out	N/A																								
Sleep In	Yes																									
Default	<table border="1"> <thead> <tr> <th>Status</th> <th>Default Value</th> </tr> </thead> <tbody> <tr> <td>Power On Sequence</td> <td>00h</td> </tr> <tr> <td>SW Reset</td> <td>00h</td> </tr> <tr> <td>HW Reset</td> <td>00h</td> </tr> </tbody> </table>													Status	Default Value	Power On Sequence	00h	SW Reset	00h	HW Reset	00h					
	Status	Default Value																								
	Power On Sequence	00h																								
	SW Reset	00h																								
HW Reset	00h																									
Flow Chart	<pre> graph TD Host[Host] -- RDDSDR (0Fh) --> Driver[Driver] Driver -- Send D[7:0] --> Data[Data] </pre>																									
	<table border="1"> <thead> <tr> <th colspan="2">Legend</th> </tr> </thead> <tbody> <tr> <td>Command</td> <td>[Rectangle]</td> </tr> <tr> <td>Parameter</td> <td>[Parallelogram]</td> </tr> <tr> <td>Display</td> <td>[Arrow pointing right]</td> </tr> <tr> <td>Action</td> <td>[Arrow pointing left]</td> </tr> <tr> <td>Mode</td> <td>[Oval]</td> </tr> <tr> <td>Sequential transfer</td> <td>[Speech bubble]</td> </tr> </tbody> </table>													Legend		Command	[Rectangle]	Parameter	[Parallelogram]	Display	[Arrow pointing right]	Action	[Arrow pointing left]	Mode	[Oval]	Sequential transfer
Legend																										
Command	[Rectangle]																									
Parameter	[Parallelogram]																									
Display	[Arrow pointing right]																									
Action	[Arrow pointing left]																									
Mode	[Oval]																									
Sequential transfer	[Speech bubble]																									

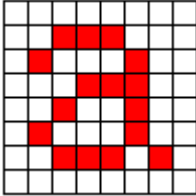
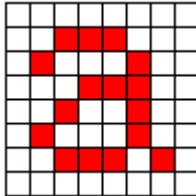
SLPIN (1000h): Sleep In

1000H		SLPIN											HEX										
Instruction	R/W	Address		Parameter																			
		MIPI	Other	D15-8	D7	D6	D5	D4	D3	D2	D1		D0										
SLPIN	W	10h	1000h	No Argument								-											
Description	This command forces display module to enter <i>Sleep-In</i> mode. Under this mode the DC/DC converter, internal display oscillator, and panel scanning are all stopped. The control interface and related registers are still working and keeps its values.																						
Restriction	This command has no effect when the display driver is already in <i>Sleep-In</i> mode. SLPOUT command (11h) will force display driver to leave <i>Sleep-In</i> mode. It must wait at least 5msec to send the next command (for internal power and clock stabilization). And, it must wait 120msec after sending SLPOUT command for the next SLPIN command.																						
Register Availability	<table border="1"> <thead> <tr> <th>Status</th> <th>Availability</th> </tr> </thead> <tbody> <tr> <td>Normal Mode On, Idle Mode Off, Sleep Out</td> <td>Yes</td> </tr> <tr> <td>Normal Mode On, Idle Mode On, Sleep Out</td> <td>Yes</td> </tr> <tr> <td>Partial Mode On, Idle Mode Off, Sleep Out</td> <td>N/A</td> </tr> <tr> <td>Partial Mode On, Idle Mode On, Sleep Out</td> <td>N/A</td> </tr> <tr> <td>Sleep In</td> <td>Yes</td> </tr> </tbody> </table>											Status	Availability	Normal Mode On, Idle Mode Off, Sleep Out	Yes	Normal Mode On, Idle Mode On, Sleep Out	Yes	Partial Mode On, Idle Mode Off, Sleep Out	N/A	Partial Mode On, Idle Mode On, Sleep Out	N/A	Sleep In	Yes
Status	Availability																						
Normal Mode On, Idle Mode Off, Sleep Out	Yes																						
Normal Mode On, Idle Mode On, Sleep Out	Yes																						
Partial Mode On, Idle Mode Off, Sleep Out	N/A																						
Partial Mode On, Idle Mode On, Sleep Out	N/A																						
Sleep In	Yes																						
Default	<table border="1"> <thead> <tr> <th>Status</th> <th>Default Value</th> </tr> </thead> <tbody> <tr> <td>Power On Sequence</td> <td>Sleep In Mode</td> </tr> <tr> <td>SW Reset</td> <td>Sleep In Mode</td> </tr> <tr> <td>HW Reset</td> <td>Sleep In Mode</td> </tr> </tbody> </table>											Status	Default Value	Power On Sequence	Sleep In Mode	SW Reset	Sleep In Mode	HW Reset	Sleep In Mode				
Status	Default Value																						
Power On Sequence	Sleep In Mode																						
SW Reset	Sleep In Mode																						
HW Reset	Sleep In Mode																						
Flow Chart	<pre> graph TD A[SLPIN (10h)] --> B[/Display whole blank screen (Automatic No effect to DISP ON/OFF Command)/] B --> C[/Drain charge from panel/] C --> D[/Stop DC/DC Converter/] C --> E[/Stop Internal Oscillator/] D --> F([Sleep In Mode]) E --> F </pre> <p>Legend</p> <ul style="list-style-type: none"> Command: Rectangle Parameter: Parallelogram Display: Hexagon Action: Arrowhead Mode: Oval Sequential transfer: Curved arrow 																						

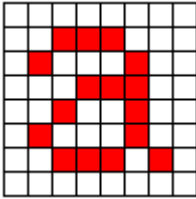
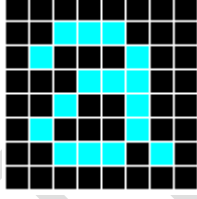
SLPOUT (1100h): Sleep Out

1100H	SLPOUT																							
Instruction	R/W	Address		Parameter								HEX												
		MIPI	Other	D15-8	D7	D6	D5	D4	D3	D2	D1		D0											
SLPOUT	W	11h	1100h	No Argument								-												
Description	This command causes the display module to exit <i>Sleep-In</i> mode. All blocks inside display driver are enabled. The host needs to send PCLK, HS and VS information to display driver two frames before this command is sent when the display module is in <i>Normal</i> Mode.																							
Restriction	This command shall not cause any visible effect on the display device when the display driver is not in <i>Sleep-In</i> mode. The host must wait 5msec after sending this command before any another commands. This delay allows internal power and clock circuits to be stabilized. After sending SLPOUT command, the host must wait 120 msec before sending SLPIN command.																							
Register Availability	<table border="1"> <thead> <tr> <th>Status</th> <th>Availability</th> </tr> </thead> <tbody> <tr> <td>Normal Mode On, Idle Mode Off, Sleep Out</td> <td>Yes</td> </tr> <tr> <td>Normal Mode On, Idle Mode On, Sleep Out</td> <td>Yes</td> </tr> <tr> <td>Partial Mode On, Idle Mode Off, Sleep Out</td> <td>N/A</td> </tr> <tr> <td>Partial Mode On, Idle Mode On, Sleep Out</td> <td>N/A</td> </tr> <tr> <td>Sleep In</td> <td>Yes</td> </tr> </tbody> </table>												Status	Availability	Normal Mode On, Idle Mode Off, Sleep Out	Yes	Normal Mode On, Idle Mode On, Sleep Out	Yes	Partial Mode On, Idle Mode Off, Sleep Out	N/A	Partial Mode On, Idle Mode On, Sleep Out	N/A	Sleep In	Yes
Status	Availability																							
Normal Mode On, Idle Mode Off, Sleep Out	Yes																							
Normal Mode On, Idle Mode On, Sleep Out	Yes																							
Partial Mode On, Idle Mode Off, Sleep Out	N/A																							
Partial Mode On, Idle Mode On, Sleep Out	N/A																							
Sleep In	Yes																							
Default	<table border="1"> <thead> <tr> <th>Status</th> <th>Default Value</th> </tr> </thead> <tbody> <tr> <td>Power On Sequence</td> <td>Sleep In Mode</td> </tr> <tr> <td>SW Reset</td> <td>Sleep In Mode</td> </tr> <tr> <td>HW Reset</td> <td>Sleep In Mode</td> </tr> </tbody> </table>												Status	Default Value	Power On Sequence	Sleep In Mode	SW Reset	Sleep In Mode	HW Reset	Sleep In Mode				
Status	Default Value																							
Power On Sequence	Sleep In Mode																							
SW Reset	Sleep In Mode																							
HW Reset	Sleep In Mode																							
Flow chart	<pre> graph TD Start[SLPOUT (11h)] --> A1{{Start Internal Oscillator}} A1 --> A2{{Start DC-DC Converter}} A2 --> A3{{Charge Offset voltage for LCD Panel}} A3 --> A4{{Display whole blank screen for 2 frames (Automatic No effect to DISP ON/OFF)}} A4 --> A5{{Display Image contents in accordance with the current command table settings}} A5 --> A6{{Sleep Out}} </pre>																							

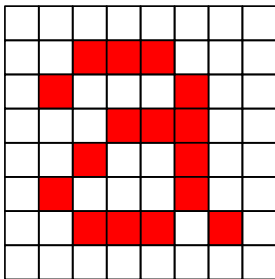
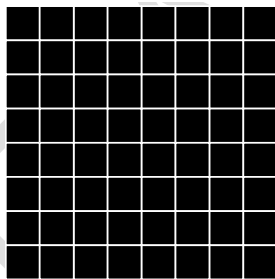
INVOFF (2000H): Exit Invert Mode

2000H		INVOFF																					
Instruction	R/W	Address		Parameter								HEX											
		MIPI	Other	D15-8	D7	D6	D5	D4	D3	D2	D1		D0										
INVOFF	W	20h	2000h	No Argument								-											
Description	<p>This command causes the display module to stop inverting the image data on the display device. No status bits are changed.</p> <div style="display: flex; justify-content: space-around; align-items: center;"> <div style="text-align: center;"> <p>Input Image</p>  </div> <div style="font-size: 2em;">→</div> <div style="text-align: center;"> <p>Display Panel</p>  </div> </div>																						
Restriction	This command has no effect when module is already in inversion on mode.																						
Register Availability	<table border="1" style="width: 100%; border-collapse: collapse;"> <thead> <tr> <th>Status</th> <th>Availability</th> </tr> </thead> <tbody> <tr> <td>Normal Mode On, Idle Mode Off, Sleep Out</td> <td>Yes</td> </tr> <tr> <td>Normal Mode On, Idle Mode On, Sleep Out</td> <td>Yes</td> </tr> <tr> <td>Partial Mode On, Idle Mode Off, Sleep Out</td> <td>N/A</td> </tr> <tr> <td>Partial Mode On, Idle Mode On, Sleep Out</td> <td>N/A</td> </tr> <tr> <td>Sleep In</td> <td>Yes</td> </tr> </tbody> </table>											Status	Availability	Normal Mode On, Idle Mode Off, Sleep Out	Yes	Normal Mode On, Idle Mode On, Sleep Out	Yes	Partial Mode On, Idle Mode Off, Sleep Out	N/A	Partial Mode On, Idle Mode On, Sleep Out	N/A	Sleep In	Yes
Status	Availability																						
Normal Mode On, Idle Mode Off, Sleep Out	Yes																						
Normal Mode On, Idle Mode On, Sleep Out	Yes																						
Partial Mode On, Idle Mode Off, Sleep Out	N/A																						
Partial Mode On, Idle Mode On, Sleep Out	N/A																						
Sleep In	Yes																						
Default	<table border="1" style="width: 100%; border-collapse: collapse;"> <thead> <tr> <th>Status</th> <th>Default Value</th> </tr> </thead> <tbody> <tr> <td>Power On Sequence</td> <td>Display Inversion off</td> </tr> <tr> <td>SW Reset</td> <td>Display Inversion off</td> </tr> <tr> <td>HW Reset</td> <td>Display Inversion off</td> </tr> </tbody> </table>											Status	Default Value	Power On Sequence	Display Inversion off	SW Reset	Display Inversion off	HW Reset	Display Inversion off				
Status	Default Value																						
Power On Sequence	Display Inversion off																						
SW Reset	Display Inversion off																						
HW Reset	Display Inversion off																						
Flow Chart	<div style="display: flex; align-items: center;"> <div style="flex: 1;"> <pre> graph TD A([Display Inversion ON Mode]) --> B[INVON (20h)] B --> C([Display Inversion OFF Mode]) </pre> </div> <div style="flex: 1; border: 1px dashed black; padding: 5px;"> <p style="text-align: center;">Legend</p> <ul style="list-style-type: none"> Command Parameter Display Action Mode Sequential transfer </div> </div>																						

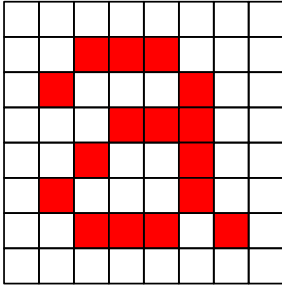

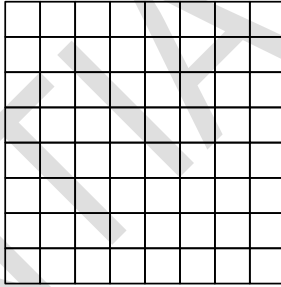
INVON (2100H): Enter Invert Mode

2100H		INVON																					
Instruction	R/W	Address		Parameter								HEX											
		MIPI	Other	D15-8	D7	D6	D5	D4	D3	D2	D1		D0										
INVON	W	21h	2100h	No Argument								-											
Description	<p>This command causes the display module to invert the image data only on the display device. No status bits are changed.</p> <div style="display: flex; justify-content: space-around; align-items: center;"> <div style="text-align: center;"> <p>Input Image</p>  </div> <div style="font-size: 2em;">→</div> <div style="text-align: center;"> <p>Display Panel</p>  </div> </div>																						
Restriction	This command has no effect when module is already in inversion on mode.																						
Register Availability	<table border="1"> <thead> <tr> <th>Status</th> <th>Availability</th> </tr> </thead> <tbody> <tr> <td>Normal Mode On, Idle Mode Off, Sleep Out</td> <td>Yes</td> </tr> <tr> <td>Normal Mode On, Idle Mode On, Sleep Out</td> <td>Yes</td> </tr> <tr> <td>Partial Mode On, Idle Mode Off, Sleep Out</td> <td>N/A</td> </tr> <tr> <td>Partial Mode On, Idle Mode On, Sleep Out</td> <td>N/A</td> </tr> <tr> <td>Sleep In</td> <td>Yes</td> </tr> </tbody> </table>											Status	Availability	Normal Mode On, Idle Mode Off, Sleep Out	Yes	Normal Mode On, Idle Mode On, Sleep Out	Yes	Partial Mode On, Idle Mode Off, Sleep Out	N/A	Partial Mode On, Idle Mode On, Sleep Out	N/A	Sleep In	Yes
Status	Availability																						
Normal Mode On, Idle Mode Off, Sleep Out	Yes																						
Normal Mode On, Idle Mode On, Sleep Out	Yes																						
Partial Mode On, Idle Mode Off, Sleep Out	N/A																						
Partial Mode On, Idle Mode On, Sleep Out	N/A																						
Sleep In	Yes																						
Default	<table border="1"> <thead> <tr> <th>Status</th> <th>Default Value</th> </tr> </thead> <tbody> <tr> <td>Power On Sequence</td> <td>Display Inversion off</td> </tr> <tr> <td>SW Reset</td> <td>Display Inversion off</td> </tr> <tr> <td>HW Reset</td> <td>Display Inversion off</td> </tr> </tbody> </table>											Status	Default Value	Power On Sequence	Display Inversion off	SW Reset	Display Inversion off	HW Reset	Display Inversion off				
Status	Default Value																						
Power On Sequence	Display Inversion off																						
SW Reset	Display Inversion off																						
HW Reset	Display Inversion off																						
Flow Chart	<div style="display: flex; align-items: center;"> <div style="flex: 1;"> <pre> graph TD A([Display Inversion OFF Mode]) --> B[INVON (21h)] B --> C([Display Inversion ON Mode]) </pre> </div> <div style="border: 1px dashed black; padding: 5px; margin-left: 20px;"> <p>Legend</p> <ul style="list-style-type: none"> Command Parameter Display Action Mode Sequential transfer </div> </div>																						

ALLPOFF (2200h): All Pixel Off

2200H		ALLPOFF											HEX										
Instruction	R/W	Address		Parameter																			
		MIPI	Other	D15-8	D7	D6	D5	D4	D3	D2	D1		D0										
ALLPOFF	W	22h	2200h	No Argument								-											
Description	<p>This command turns the display panel black in Display On mode and a status of the Display On/Off register can be on or off. This command does not change any other status.</p> <div style="display: flex; justify-content: space-around; align-items: center;"> <div style="text-align: center;"> <p>Input Image</p>  </div> <div style="font-size: 2em;">→</div> <div style="text-align: center;"> <p>Display Panel</p>  </div> </div>																						
Restriction	-																						
Register Availability	<table border="1"> <thead> <tr> <th>Status</th> <th>Availability</th> </tr> </thead> <tbody> <tr> <td>Normal Mode On, Idle Mode Off, Sleep Out</td> <td>Yes</td> </tr> <tr> <td>Normal Mode On, Idle Mode On, Sleep Out</td> <td>Yes</td> </tr> <tr> <td>Partial Mode On, Idle Mode Off, Sleep Out</td> <td>N/A</td> </tr> <tr> <td>Partial Mode On, Idle Mode On, Sleep Out</td> <td>N/A</td> </tr> <tr> <td>Sleep In</td> <td>Yes</td> </tr> </tbody> </table>											Status	Availability	Normal Mode On, Idle Mode Off, Sleep Out	Yes	Normal Mode On, Idle Mode On, Sleep Out	Yes	Partial Mode On, Idle Mode Off, Sleep Out	N/A	Partial Mode On, Idle Mode On, Sleep Out	N/A	Sleep In	Yes
Status	Availability																						
Normal Mode On, Idle Mode Off, Sleep Out	Yes																						
Normal Mode On, Idle Mode On, Sleep Out	Yes																						
Partial Mode On, Idle Mode Off, Sleep Out	N/A																						
Partial Mode On, Idle Mode On, Sleep Out	N/A																						
Sleep In	Yes																						
Default	<table border="1"> <thead> <tr> <th>Status</th> <th>Default Value</th> </tr> </thead> <tbody> <tr> <td>Power On Sequence</td> <td>All pixel Off is off</td> </tr> <tr> <td>SW Reset</td> <td>All pixel off is off</td> </tr> <tr> <td>HW Reset</td> <td>All pixel off is off</td> </tr> </tbody> </table>											Status	Default Value	Power On Sequence	All pixel Off is off	SW Reset	All pixel off is off	HW Reset	All pixel off is off				
Status	Default Value																						
Power On Sequence	All pixel Off is off																						
SW Reset	All pixel off is off																						
HW Reset	All pixel off is off																						
Flow Chart	<div style="display: flex; align-items: center;"> <div style="flex: 1;"> <pre> graph TD A([Normal Display ON Mode]) --> B[ALLPOFF (22h)] B --> C([Black Display]) </pre> </div> <div style="flex: 1; border: 1px dashed black; padding: 5px;"> <p>Legend</p> <ul style="list-style-type: none"> Command: Parameter: Display: Action: Mode: Sequential transfer: </div> </div>																						

ALLPON (2300h): All Pixel On

2300H		ALLPON											HEX										
Instruction	R/W	Address		Parameter																			
		MIPI	Other	D15-8	D7	D6	D5	D4	D3	D2	D1		D0										
ALLPON	W	23h	2300h	No Argument								-											
Description	<p>This command turns the display panel white in Display On mode and a status of the Display On/Off register can be on or off. This command does not change any other status.</p>																						
	<p style="text-align: center;">Input Image</p> 				<p style="text-align: center;">Panel Display</p> 																		
Restriction	-																						
Register Availability	<table border="1"> <thead> <tr> <th>Status</th> <th>Availability</th> </tr> </thead> <tbody> <tr> <td>Normal Mode On, Idle Mode Off, Sleep Out</td> <td>Yes</td> </tr> <tr> <td>Normal Mode On, Idle Mode On, Sleep Out</td> <td>Yes</td> </tr> <tr> <td>Partial Mode On, Idle Mode Off, Sleep Out</td> <td>N/A</td> </tr> <tr> <td>Partial Mode On, Idle Mode On, Sleep Out</td> <td>N/A</td> </tr> <tr> <td>Sleep In</td> <td>Yes</td> </tr> </tbody> </table>											Status	Availability	Normal Mode On, Idle Mode Off, Sleep Out	Yes	Normal Mode On, Idle Mode On, Sleep Out	Yes	Partial Mode On, Idle Mode Off, Sleep Out	N/A	Partial Mode On, Idle Mode On, Sleep Out	N/A	Sleep In	Yes
Status	Availability																						
Normal Mode On, Idle Mode Off, Sleep Out	Yes																						
Normal Mode On, Idle Mode On, Sleep Out	Yes																						
Partial Mode On, Idle Mode Off, Sleep Out	N/A																						
Partial Mode On, Idle Mode On, Sleep Out	N/A																						
Sleep In	Yes																						
Default	<table border="1"> <thead> <tr> <th>Status</th> <th>Default Value</th> </tr> </thead> <tbody> <tr> <td>Power On Sequence</td> <td>All pixel on is off</td> </tr> <tr> <td>SW Reset</td> <td>All pixel on is off</td> </tr> <tr> <td>HW Reset</td> <td>All pixel on is off</td> </tr> </tbody> </table>											Status	Default Value	Power On Sequence	All pixel on is off	SW Reset	All pixel on is off	HW Reset	All pixel on is off				
Status	Default Value																						
Power On Sequence	All pixel on is off																						
SW Reset	All pixel on is off																						
HW Reset	All pixel on is off																						
Flow Chart	<div style="display: flex; align-items: center;"> <div style="flex: 1;"> <pre> graph TD A([Normal Display ON Mode]) --> B[ALLPON (23h)] B --> C([White Display]) </pre> </div> <div style="flex: 1; border: 1px dashed black; padding: 5px;"> <p style="text-align: center;">Legend</p> <ul style="list-style-type: none"> Command Parameter Display Action Mode Sequential transfer </div> </div>																						

DISPOFF (2800h): Set Display Off

2800H	DISPOFF																							
Instruction	R/W	Address		Parameter								HEX												
		MIPI	Other	D15-8	D7	D6	D5	D4	D3	D2	D1		D0											
DISPOFF	W	28h	2800h	No Argument								-												
Description	This command causes the display module to stop displaying the image data on the display device. No status bits are changed.																							
Restriction	This command has no effect when module is already in display off mode.																							
Register Availability	<table border="1"> <thead> <tr> <th>Status</th> <th>Availability</th> </tr> </thead> <tbody> <tr> <td>Normal Mode On, Idle Mode Off, Sleep Out</td> <td>Yes</td> </tr> <tr> <td>Normal Mode On, Idle Mode On, Sleep Out</td> <td>Yes</td> </tr> <tr> <td>Partial Mode On, Idle Mode Off, Sleep Out</td> <td>N/A</td> </tr> <tr> <td>Partial Mode On, Idle Mode On, Sleep Out</td> <td>N/A</td> </tr> <tr> <td>Sleep In</td> <td>Yes</td> </tr> </tbody> </table>												Status	Availability	Normal Mode On, Idle Mode Off, Sleep Out	Yes	Normal Mode On, Idle Mode On, Sleep Out	Yes	Partial Mode On, Idle Mode Off, Sleep Out	N/A	Partial Mode On, Idle Mode On, Sleep Out	N/A	Sleep In	Yes
Status	Availability																							
Normal Mode On, Idle Mode Off, Sleep Out	Yes																							
Normal Mode On, Idle Mode On, Sleep Out	Yes																							
Partial Mode On, Idle Mode Off, Sleep Out	N/A																							
Partial Mode On, Idle Mode On, Sleep Out	N/A																							
Sleep In	Yes																							
Default	<table border="1"> <thead> <tr> <th>Status</th> <th>Default Value</th> </tr> </thead> <tbody> <tr> <td>Power On Sequence</td> <td>Display Off</td> </tr> <tr> <td>SW Reset</td> <td>Display Off</td> </tr> <tr> <td>HW Reset</td> <td>Display Off</td> </tr> </tbody> </table>												Status	Default Value	Power On Sequence	Display Off	SW Reset	Display Off	HW Reset	Display Off				
Status	Default Value																							
Power On Sequence	Display Off																							
SW Reset	Display Off																							
HW Reset	Display Off																							
Flow Chart	<pre> graph TD A([Display ON Mode]) --> B[DISPON (28h)] B --> C([Display OFF Mode]) </pre> <p>Legend</p> <ul style="list-style-type: none"> Command: Rectangle Parameter: Parallelogram Display: Oval Action: Arrowhead Mode: Oval Sequential transfer: Oval with tail 																							

DISPON (2900h): Set Display On

2900H		DISPON											HEX										
Instruction	R/W	Address		Parameter																			
		MIPI	Other	D15-8	D7	D6	D5	D4	D3	D2	D1		D0										
DISPON	W	29h	2900h	No Argument								-											
Description	This command causes the display module to start displaying the image data on the display device. No status bits are changed.																						
Restriction	This command has no effect when module is already in display on mode.																						
Register Availability	<table border="1"> <thead> <tr> <th>Status</th> <th>Availability</th> </tr> </thead> <tbody> <tr> <td>Normal Mode On, Idle Mode Off, Sleep Out</td> <td>Yes</td> </tr> <tr> <td>Normal Mode On, Idle Mode On, Sleep Out</td> <td>Yes</td> </tr> <tr> <td>Partial Mode On, Idle Mode Off, Sleep Out</td> <td>N/A</td> </tr> <tr> <td>Partial Mode On, Idle Mode On, Sleep Out</td> <td>N/A</td> </tr> <tr> <td>Sleep In</td> <td>Yes</td> </tr> </tbody> </table>											Status	Availability	Normal Mode On, Idle Mode Off, Sleep Out	Yes	Normal Mode On, Idle Mode On, Sleep Out	Yes	Partial Mode On, Idle Mode Off, Sleep Out	N/A	Partial Mode On, Idle Mode On, Sleep Out	N/A	Sleep In	Yes
Status	Availability																						
Normal Mode On, Idle Mode Off, Sleep Out	Yes																						
Normal Mode On, Idle Mode On, Sleep Out	Yes																						
Partial Mode On, Idle Mode Off, Sleep Out	N/A																						
Partial Mode On, Idle Mode On, Sleep Out	N/A																						
Sleep In	Yes																						
Default	<table border="1"> <thead> <tr> <th>Status</th> <th>Default Value</th> </tr> </thead> <tbody> <tr> <td>Power On Sequence</td> <td>Display Off</td> </tr> <tr> <td>SW Reset</td> <td>Display Off</td> </tr> <tr> <td>HW Reset</td> <td>Display Off</td> </tr> </tbody> </table>											Status	Default Value	Power On Sequence	Display Off	SW Reset	Display Off	HW Reset	Display Off				
Status	Default Value																						
Power On Sequence	Display Off																						
SW Reset	Display Off																						
HW Reset	Display Off																						
Flow Chart	<pre> graph TD A([Display OFF Mode]) --> B[DISPON (29h)] B --> C([Display ON Mode]) </pre> <p>Legend</p> <ul style="list-style-type: none"> Command: Rectangle Parameter: Parallelogram Display: Oval Action: Arrowhead Mode: Oval Sequential transfer: Oval with tail 																						

RAMWR (2C00h): Memory Write

2C00H		RAMWR																							
Instruction	R/W	Address		Parameter									HEX												
		MIPI	Other	D15-8	D7	D6	D5	D4	D3	D2	D1	D0													
RAMWR	W	2Ch	2C00h	00h	D7	D6	D5	D4	D3	D2	D1	D0	--												
	W	2Ch	2C01h	00h	D7	D6	D5	D4	D3	D2	D1	D0	--												
	W	2Ch	2C02h	00h	D7	D6	D5	D4	D3	D2	D1	D0	--												
Description	<ol style="list-style-type: none"> This command writes display data from the host to the on-chip memory buffer. When this command is accepted, the address of memory buffer is reset to its start position and then sequential data are write to memory byte by byte until a full frame display data are write to the memory. 																								
Restriction	<ol style="list-style-type: none"> Sending any command can stop frame memory write. For resolution of H= 1440RGB: <ul style="list-style-type: none"> Without VESA DSC, the parameter size= 1440RGBx N (N is a multiple of 4) With VESA DSC, the parameter size= 480RGBx N (N is a multiple of 4) 																								
Register Availability	<table border="1"> <thead> <tr> <th>Status</th> <th>Availability</th> </tr> </thead> <tbody> <tr> <td>Normal Mode On, Idle Mode Off, Sleep Out</td> <td>Yes</td> </tr> <tr> <td>Normal Mode On, Idle Mode On, Sleep Out</td> <td>Yes</td> </tr> <tr> <td>Partial Mode On, Idle Mode Off, Sleep Out</td> <td>N/A</td> </tr> <tr> <td>Partial Mode On, Idle Mode On, Sleep Out</td> <td>N/A</td> </tr> <tr> <td>Sleep In</td> <td>Yes</td> </tr> </tbody> </table>													Status	Availability	Normal Mode On, Idle Mode Off, Sleep Out	Yes	Normal Mode On, Idle Mode On, Sleep Out	Yes	Partial Mode On, Idle Mode Off, Sleep Out	N/A	Partial Mode On, Idle Mode On, Sleep Out	N/A	Sleep In	Yes
Status	Availability																								
Normal Mode On, Idle Mode Off, Sleep Out	Yes																								
Normal Mode On, Idle Mode On, Sleep Out	Yes																								
Partial Mode On, Idle Mode Off, Sleep Out	N/A																								
Partial Mode On, Idle Mode On, Sleep Out	N/A																								
Sleep In	Yes																								
Default	<table border="1"> <thead> <tr> <th>Status</th> <th>Default Value</th> </tr> </thead> <tbody> <tr> <td>Power On Sequence</td> <td>Display Off</td> </tr> <tr> <td>SW Reset</td> <td>Display Off</td> </tr> <tr> <td>HW Reset</td> <td>Display Off</td> </tr> </tbody> </table>													Status	Default Value	Power On Sequence	Display Off	SW Reset	Display Off	HW Reset	Display Off				
Status	Default Value																								
Power On Sequence	Display Off																								
SW Reset	Display Off																								
HW Reset	Display Off																								
Flow Chart	<pre> graph TD subgraph Host_Driver [Host Driver] C[RAMWR (2Ch)] end subgraph Device ID([Image Data D1[23:0], D2[23:0], ..., Dn[23:0]]) AC[Any Command] end C --> ID ID --> AC </pre> <p>Legend</p> <ul style="list-style-type: none"> Command: Rectangle Parameter: Parallelogram Display: Oval Action: Arrow Mode: Capsule Sequential transfer: Oval with tail 																								

TEOFF (3400h): Tearing Effect Line OFF

3400H		TEOFF											HEX										
Instruction	R/W	Address		Parameter																			
		MIPI	Other	D15-8	D7	D6	D5	D4	D3	D2	D1		D0										
TEOFF	W	34h	3400h	No Argument								-											
Description	This command stops outputting <i>Tearing Effect</i> output signal to pad.																						
Restriction	This command has no effect when the <i>Tearing Effect</i> output is already off.																						
Register Availability	<table border="1"> <thead> <tr> <th>Status</th> <th>Availability</th> </tr> </thead> <tbody> <tr> <td>Normal Mode On, Idle Mode Off, Sleep Out</td> <td>Yes</td> </tr> <tr> <td>Normal Mode On, Idle Mode On, Sleep Out</td> <td>Yes</td> </tr> <tr> <td>Partial Mode On, Idle Mode Off, Sleep Out</td> <td>N/A</td> </tr> <tr> <td>Partial Mode On, Idle Mode On, Sleep Out</td> <td>N/A</td> </tr> <tr> <td>Sleep In</td> <td>Yes</td> </tr> </tbody> </table>											Status	Availability	Normal Mode On, Idle Mode Off, Sleep Out	Yes	Normal Mode On, Idle Mode On, Sleep Out	Yes	Partial Mode On, Idle Mode Off, Sleep Out	N/A	Partial Mode On, Idle Mode On, Sleep Out	N/A	Sleep In	Yes
Status	Availability																						
Normal Mode On, Idle Mode Off, Sleep Out	Yes																						
Normal Mode On, Idle Mode On, Sleep Out	Yes																						
Partial Mode On, Idle Mode Off, Sleep Out	N/A																						
Partial Mode On, Idle Mode On, Sleep Out	N/A																						
Sleep In	Yes																						
Default	<table border="1"> <thead> <tr> <th>Status</th> <th>Default Value</th> </tr> </thead> <tbody> <tr> <td>Power On Sequence</td> <td>OFF</td> </tr> <tr> <td>SW Reset</td> <td>OFF</td> </tr> <tr> <td>HW Reset</td> <td>OFF</td> </tr> </tbody> </table>											Status	Default Value	Power On Sequence	OFF	SW Reset	OFF	HW Reset	OFF				
Status	Default Value																						
Power On Sequence	OFF																						
SW Reset	OFF																						
HW Reset	OFF																						
Flow Chart	<pre> graph TD subgraph Driver A([TE Line Output On]) C([TE Line Output Off]) end subgraph Host B[TEOFF 34h] end A -.-> B B -.-> C </pre> <p>Legend:</p> <ul style="list-style-type: none"> Command: Rectangle Parameter: Trapezoid Display: Oval Action: Arrow Mode: Rounded rectangle Sequential transfer: Curved arrow 																						

TEON (3500h): Tearing Effect Line ON

3500H		TEON																								
Instruction	R/W	Address		Parameter									HEX													
		MIPI	Other	D15-8	D7	D6	D5	D4	D3	D2	D1	D0														
TEON	W	35h	3500h	00h	0	0	0	0	0	0	0	0	TELOM	00												
Description	This command turns on the tearing effect output signal to the TE pad. The “Tearing Effect Line On” has one parameter that selects its output mode.																									
Restriction	The tearing effect output is low if display module is under sleep mode.																									
Register Availability	<table border="1"> <thead> <tr> <th>Status</th> <th>Availability</th> </tr> </thead> <tbody> <tr> <td>Normal Mode On, Idle Mode Off, Sleep Out</td> <td>Yes</td> </tr> <tr> <td>Normal Mode On, Idle Mode On, Sleep Out</td> <td>Yes</td> </tr> <tr> <td>Partial Mode On, Idle Mode Off, Sleep Out</td> <td>N/A</td> </tr> <tr> <td>Partial Mode On, Idle Mode On, Sleep Out</td> <td>N/A</td> </tr> <tr> <td>Sleep In</td> <td>Yes</td> </tr> </tbody> </table>														Status	Availability	Normal Mode On, Idle Mode Off, Sleep Out	Yes	Normal Mode On, Idle Mode On, Sleep Out	Yes	Partial Mode On, Idle Mode Off, Sleep Out	N/A	Partial Mode On, Idle Mode On, Sleep Out	N/A	Sleep In	Yes
Status	Availability																									
Normal Mode On, Idle Mode Off, Sleep Out	Yes																									
Normal Mode On, Idle Mode On, Sleep Out	Yes																									
Partial Mode On, Idle Mode Off, Sleep Out	N/A																									
Partial Mode On, Idle Mode On, Sleep Out	N/A																									
Sleep In	Yes																									
Default	<table border="1"> <thead> <tr> <th>Status</th> <th>Default Value</th> </tr> </thead> <tbody> <tr> <td>Power On Sequence</td> <td>TE OFF</td> </tr> <tr> <td>SW Reset</td> <td>TE OFF</td> </tr> <tr> <td>HW Reset</td> <td>TE OFF</td> </tr> </tbody> </table>														Status	Default Value	Power On Sequence	TE OFF	SW Reset	TE OFF	HW Reset	TE OFF				
Status	Default Value																									
Power On Sequence	TE OFF																									
SW Reset	TE OFF																									
HW Reset	TE OFF																									
Flow Chart	<pre> graph TD subgraph Driver A([TE Line Output Off]) C[/TE Mode Parameter M/] E([TE Line Output Off]) end subgraph Host B[TEON 35h] end A -.-> B B --> C C --> E </pre> <p>Legend</p> <ul style="list-style-type: none"> Command: Rectangle Parameter: Parallelogram Display: Oval Action: Arrowhead Mode: Oval Sequential transfer: Curved arrow 																									

MADCTL (3600h): Memory Data Access Control

3600H		MADCTL																											
Instruction	R/W	Address		Parameter									HEX																
		MIPI	Other	D15-8	D7	D6	D5	D4	D3	D2	D1	D0																	
MADCTL	W	36h	3600h	00h	0	0	0	0	D3	0	D1	D0	00																
Description	This command sets the scan direction of source and gate driver. This command makes no change on the other driver status.																												
	<table border="1"> <thead> <tr> <th>Bit</th> <th>Symbol</th> <th>Description</th> <th>Comment</th> </tr> </thead> <tbody> <tr> <td>D3</td> <td>RGB</td> <td>RGB/BGR Order</td> <td>1 = BGR, 0 = RGB</td> </tr> <tr> <td>D1</td> <td>RSMX</td> <td>Horizontal Flip</td> <td>0 = Normal display 1 = Horizontal flip</td> </tr> <tr> <td>D0</td> <td>RSMY</td> <td>Vertical Flip</td> <td>0 = Normal display 1 = Vertical flip</td> </tr> </tbody> </table>													Bit	Symbol	Description	Comment	D3	RGB	RGB/BGR Order	1 = BGR, 0 = RGB	D1	RSMX	Horizontal Flip	0 = Normal display 1 = Horizontal flip	D0	RSMY	Vertical Flip	0 = Normal display 1 = Vertical flip
	Bit	Symbol	Description	Comment																									
	D3	RGB	RGB/BGR Order	1 = BGR, 0 = RGB																									
	D1	RSMX	Horizontal Flip	0 = Normal display 1 = Horizontal flip																									
D0	RSMY	Vertical Flip	0 = Normal display 1 = Vertical flip																										
<table border="1"> <thead> <tr> <th>D1</th> <th>D0</th> <th>Display Panel</th> </tr> </thead> <tbody> <tr> <td>0</td> <td>0</td> <td></td> </tr> <tr> <td>0</td> <td>1</td> <td></td> </tr> <tr> <td>1</td> <td>0</td> <td></td> </tr> <tr> <td>1</td> <td>1</td> <td></td> </tr> </tbody> </table>													D1	D0	Display Panel	0	0		0	1		1	0		1	1			
D1	D0	Display Panel																											
0	0																												
0	1																												
1	0																												
1	1																												

	<div style="display: flex; flex-direction: column; align-items: center;"> <div style="display: flex; align-items: center; margin-bottom: 20px;"> <div style="text-align: center;"> <p>Input Display Data</p> </div> <div style="margin: 0 20px; text-align: center;"> <p>D3 = 0 RGB -> RGB</p> <p>→</p> </div> <div style="text-align: center;"> <p>Panel Display</p> </div> </div> <div style="display: flex; align-items: center;"> <div style="text-align: center;"> <p>Input Display Data</p> </div> <div style="margin: 0 20px; text-align: center;"> <p>D3 = 1 RGB -> BGR</p> <p>→</p> </div> <div style="text-align: center;"> <p>Panel Display</p> </div> </div> </div>												
Restriction													
Register Availability	<table border="1" style="width: 100%; border-collapse: collapse;"> <thead> <tr> <th style="background-color: #cccccc;">Status</th> <th style="background-color: #cccccc;">Availability</th> </tr> </thead> <tbody> <tr> <td>Normal Mode On, Idle Mode Off, Sleep Out</td> <td>Yes</td> </tr> <tr> <td>Normal Mode On, Idle Mode On, Sleep Out</td> <td>Yes</td> </tr> <tr> <td>Partial Mode On, Idle Mode Off, Sleep Out</td> <td>N/A</td> </tr> <tr> <td>Partial Mode On, Idle Mode On, Sleep Out</td> <td>N/A</td> </tr> <tr> <td>Sleep In</td> <td>Yes</td> </tr> </tbody> </table>	Status	Availability	Normal Mode On, Idle Mode Off, Sleep Out	Yes	Normal Mode On, Idle Mode On, Sleep Out	Yes	Partial Mode On, Idle Mode Off, Sleep Out	N/A	Partial Mode On, Idle Mode On, Sleep Out	N/A	Sleep In	Yes
Status	Availability												
Normal Mode On, Idle Mode Off, Sleep Out	Yes												
Normal Mode On, Idle Mode On, Sleep Out	Yes												
Partial Mode On, Idle Mode Off, Sleep Out	N/A												
Partial Mode On, Idle Mode On, Sleep Out	N/A												
Sleep In	Yes												
Default	<table border="1" style="width: 100%; border-collapse: collapse;"> <thead> <tr> <th style="background-color: #cccccc;">Status</th> <th style="background-color: #cccccc;">Default Value</th> </tr> </thead> <tbody> <tr> <td>Power On Sequence</td> <td>00h</td> </tr> <tr> <td>SW Reset</td> <td>00h</td> </tr> <tr> <td>HW Reset</td> <td>00h</td> </tr> </tbody> </table>	Status	Default Value	Power On Sequence	00h	SW Reset	00h	HW Reset	00h				
Status	Default Value												
Power On Sequence	00h												
SW Reset	00h												
HW Reset	00h												
Flow chart	<div style="display: flex; align-items: center;"> <div style="margin-right: 20px;"> <p>MADCTR (36h)</p> <p>↓</p> <p>Parameter</p> </div> <div style="margin-right: 20px;"> <p>Host Driver</p> </div> <div style="border: 1px dashed black; padding: 10px;"> <p>Legend</p> <ul style="list-style-type: none"> Command Parameter Display Action Mode Sequential transfer </div> </div>												

IDMOFF (3800h): Exit Idle Mode

3800H		IDMOFF																					
Instruction	R/W	Address		Parameter								HEX											
		MIPI	Other	D15-8	D7	D6	D5	D4	D3	D2	D1		D0										
IDMOFF	W	38h	3800h	No Argument								-											
Description	This command causes the display module to exit Idle mode.																						
Restriction	This command has no effect when the display module is not in Idle mode.																						
Register Availability	<table border="1"> <thead> <tr> <th>Status</th> <th>Availability</th> </tr> </thead> <tbody> <tr> <td>Normal Mode On, Idle Mode Off, Sleep Out</td> <td>Yes</td> </tr> <tr> <td>Normal Mode On, Idle Mode On, Sleep Out</td> <td>Yes</td> </tr> <tr> <td>Partial Mode On, Idle Mode Off, Sleep Out</td> <td>N/A</td> </tr> <tr> <td>Partial Mode On, Idle Mode On, Sleep Out</td> <td>N/A</td> </tr> <tr> <td>Sleep In</td> <td>Yes</td> </tr> </tbody> </table>											Status	Availability	Normal Mode On, Idle Mode Off, Sleep Out	Yes	Normal Mode On, Idle Mode On, Sleep Out	Yes	Partial Mode On, Idle Mode Off, Sleep Out	N/A	Partial Mode On, Idle Mode On, Sleep Out	N/A	Sleep In	Yes
Status	Availability																						
Normal Mode On, Idle Mode Off, Sleep Out	Yes																						
Normal Mode On, Idle Mode On, Sleep Out	Yes																						
Partial Mode On, Idle Mode Off, Sleep Out	N/A																						
Partial Mode On, Idle Mode On, Sleep Out	N/A																						
Sleep In	Yes																						
Default	<table border="1"> <thead> <tr> <th>Status</th> <th>Default Value</th> </tr> </thead> <tbody> <tr> <td>Power On Sequence</td> <td>Idle Mode Off</td> </tr> <tr> <td>SW Reset</td> <td>Idle Mode Off</td> </tr> <tr> <td>HW Reset</td> <td>Idle Mode Off</td> </tr> </tbody> </table>											Status	Default Value	Power On Sequence	Idle Mode Off	SW Reset	Idle Mode Off	HW Reset	Idle Mode Off				
Status	Default Value																						
Power On Sequence	Idle Mode Off																						
SW Reset	Idle Mode Off																						
HW Reset	Idle Mode Off																						
Flow Chart	<pre> graph TD subgraph Driver A{{Idle Mode On}} C{{Idle Mode Off}} end subgraph Host B[IDMOFF 38h] end A --> B B --> C </pre> <p>Legend:</p> <ul style="list-style-type: none"> Command: Rectangle Parameter: Parallelogram Display: Hexagon Action: Arrow Mode: Oval Sequential transfer: Curved arrow 																						

IDMON (3900h): Enter Idle Mode

3900H		IDMON																																														
Instruction	R/W	Address		Parameter								HEX																																				
		MIPI	Other	D15-8	D7	D6	D5	D4	D3	D2	D1		D0																																			
IDMON	W	39h	3900h	No Argument								-																																				
Description	<p>This command causes the display module to enter Idle Mode. After entering idle mode, color expression is reduced. Display device uses the MSB of input display data as the display data for each dot.</p>																																															
	<p>Input Image</p>		<p>Panel Display</p>																																													
		<table border="1"> <thead> <tr> <th>R[7:0]</th> <th>G[7:0]</th> <th>B[7:0]</th> <th>Display Color on Panel</th> </tr> </thead> <tbody> <tr> <td>0XXXXXXXX</td> <td>0XXXXXXXX</td> <td>0XXXXXXXX</td> <td>Black</td> </tr> <tr> <td>0XXXXXXXX</td> <td>0XXXXXXXX</td> <td>1XXXXXXXX</td> <td>Blue</td> </tr> <tr> <td>1XXXXXXXX</td> <td>0XXXXXXXX</td> <td>0XXXXXXXX</td> <td>Red</td> </tr> <tr> <td>1XXXXXXXX</td> <td>0XXXXXXXX</td> <td>1XXXXXXXX</td> <td>Magenta</td> </tr> <tr> <td>0XXXXXXXX</td> <td>1XXXXXXXX</td> <td>0XXXXXXXX</td> <td>Green</td> </tr> <tr> <td>0XXXXXXXX</td> <td>1XXXXXXXX</td> <td>1XXXXXXXX</td> <td>Cyan</td> </tr> <tr> <td>1XXXXXXXX</td> <td>1XXXXXXXX</td> <td>0XXXXXXXX</td> <td>Yellow</td> </tr> <tr> <td>1XXXXXXXX</td> <td>1XXXXXXXX</td> <td>1XXXXXXXX</td> <td>White</td> </tr> </tbody> </table>	R[7:0]	G[7:0]	B[7:0]	Display Color on Panel	0XXXXXXXX	0XXXXXXXX	0XXXXXXXX	Black	0XXXXXXXX	0XXXXXXXX	1XXXXXXXX	Blue	1XXXXXXXX	0XXXXXXXX	0XXXXXXXX	Red	1XXXXXXXX	0XXXXXXXX	1XXXXXXXX	Magenta	0XXXXXXXX	1XXXXXXXX	0XXXXXXXX	Green	0XXXXXXXX	1XXXXXXXX	1XXXXXXXX	Cyan	1XXXXXXXX	1XXXXXXXX	0XXXXXXXX	Yellow	1XXXXXXXX	1XXXXXXXX	1XXXXXXXX	White										
R[7:0]	G[7:0]	B[7:0]	Display Color on Panel																																													
0XXXXXXXX	0XXXXXXXX	0XXXXXXXX	Black																																													
0XXXXXXXX	0XXXXXXXX	1XXXXXXXX	Blue																																													
1XXXXXXXX	0XXXXXXXX	0XXXXXXXX	Red																																													
1XXXXXXXX	0XXXXXXXX	1XXXXXXXX	Magenta																																													
0XXXXXXXX	1XXXXXXXX	0XXXXXXXX	Green																																													
0XXXXXXXX	1XXXXXXXX	1XXXXXXXX	Cyan																																													
1XXXXXXXX	1XXXXXXXX	0XXXXXXXX	Yellow																																													
1XXXXXXXX	1XXXXXXXX	1XXXXXXXX	White																																													
Restriction	This command has no effect when module is already in idle on mode.																																															
Default	<table border="1"> <thead> <tr> <th>Status</th> <th>Default Value</th> </tr> </thead> <tbody> <tr> <td>Power On Sequence</td> <td>Idle Mode Off</td> </tr> <tr> <td>SW Reset</td> <td>Idle Mode Off</td> </tr> <tr> <td>HW Reset</td> <td>Idle Mode Off</td> </tr> </tbody> </table>											Status	Default Value	Power On Sequence	Idle Mode Off	SW Reset	Idle Mode Off	HW Reset	Idle Mode Off																													
Status	Default Value																																															
Power On Sequence	Idle Mode Off																																															
SW Reset	Idle Mode Off																																															
HW Reset	Idle Mode Off																																															
Flow Chart																																																

COLMOD (3A00h): Interface Pixel Format

3A00H		COLMOD																					
Instruction	R/W	Address			Parameter								HEX										
		MIPI	Other	D15-8	D7	D6	D5	D4	D3	D2	D1	D0											
COLMOD	W	3Ah	3A00h	00h	0	VIPF[2:0]			0	IFPF[2:0]			77										
Description	This command is used to define the format of RGB input data.																						
	Bit	Symbol	Description		Comment																		
	D6	VIPF[2]	DPI Pixel format (RGB interface color format)		3'b101 = 16-bit / pixel, 3'b110 = 18-bit / pixel, 3'b111 = 24-bit / pixel,																		
	D5	VIPF[1]																					
	D4	VIPF[0]																					
	D2	IFPF[2]	DPI Pixel format (Control interface color format)		3'b101 = 16-bit / pixel, 3'b110 = 18-bit / pixel, 3'b111 = 24-bit / pixel,																		
D1	IFPF[1]																						
D0	IFPF[0]																						
Restriction																							
Register Availability	<table border="1"> <thead> <tr> <th>Status</th> <th>Availability</th> </tr> </thead> <tbody> <tr> <td>Normal Mode On, Idle Mode Off, Sleep Out</td> <td>Yes</td> </tr> <tr> <td>Normal Mode On, Idle Mode On, Sleep Out</td> <td>Yes</td> </tr> <tr> <td>Partial Mode On, Idle Mode Off, Sleep Out</td> <td>N/A</td> </tr> <tr> <td>Partial Mode On, Idle Mode On, Sleep Out</td> <td>N/A</td> </tr> <tr> <td>Sleep In</td> <td>Yes</td> </tr> </tbody> </table>											Status	Availability	Normal Mode On, Idle Mode Off, Sleep Out	Yes	Normal Mode On, Idle Mode On, Sleep Out	Yes	Partial Mode On, Idle Mode Off, Sleep Out	N/A	Partial Mode On, Idle Mode On, Sleep Out	N/A	Sleep In	Yes
	Status	Availability																					
	Normal Mode On, Idle Mode Off, Sleep Out	Yes																					
	Normal Mode On, Idle Mode On, Sleep Out	Yes																					
	Partial Mode On, Idle Mode Off, Sleep Out	N/A																					
	Partial Mode On, Idle Mode On, Sleep Out	N/A																					
Sleep In	Yes																						
Default	<table border="1"> <thead> <tr> <th>Status</th> <th>Default Value</th> </tr> </thead> <tbody> <tr> <td>Power On Sequence</td> <td>70h</td> </tr> <tr> <td>SW Reset</td> <td>70h</td> </tr> <tr> <td>HW Reset</td> <td>70h</td> </tr> </tbody> </table>											Status	Default Value	Power On Sequence	70h	SW Reset	70h	HW Reset	70h				
	Status	Default Value																					
	Power On Sequence	70h																					
	SW Reset	70h																					
HW Reset	70h																						
Flow Chart	<pre> graph TD Host[Host] -- COLMOD (3Ah) --> Driver[Driver] Driver -- Parameter VIPF[2:0] --> NewFormat([New RGB Data Input Format]) </pre>																						
	<p>Legend</p> <ul style="list-style-type: none"> Command Parameter Display Action Mode Sequential transfer 																						

RAMWRC (3C00h): Memory Write Continue

3C00H	RAMWRC																							
Instruction	R/W	Address		Parameter									HEX											
		MIPI	Other	D15-8	D7	D6	D5	D4	D3	D2	D1	D0												
RAMWRC	W	3Ch	3C00h	00h	D7	D6	D5	D4	D3	D2	D1	D0	--											
	W	3Ch	3C01h	00h	D7	D6	D5	D4	D3	D2	D1	D0	--											
	W	3Ch	3C02h	00h	D7	D6	D5	D4	D3	D2	D1	D0	--											
Description	This command is used to continuously write the display data to the memory buffer following the RAMWR (0x2C) command.																							
Restriction	1. For resolution of H= 1440RGB: - Without VESA DSC, the parameter size= 1440RGBx N (N is a multiple of 4) - With VESA DSC, the parameter size= 480RGBx N (N is a multiple of 4)																							
Register Availability	<table border="1"> <thead> <tr> <th>Status</th> <th>Availability</th> </tr> </thead> <tbody> <tr> <td>Normal Mode On, Idle Mode Off, Sleep Out</td> <td>Yes</td> </tr> <tr> <td>Normal Mode On, Idle Mode On, Sleep Out</td> <td>Yes</td> </tr> <tr> <td>Partial Mode On, Idle Mode Off, Sleep Out</td> <td>N/A</td> </tr> <tr> <td>Partial Mode On, Idle Mode On, Sleep Out</td> <td>N/A</td> </tr> <tr> <td>Sleep In</td> <td>Yes</td> </tr> </tbody> </table>												Status	Availability	Normal Mode On, Idle Mode Off, Sleep Out	Yes	Normal Mode On, Idle Mode On, Sleep Out	Yes	Partial Mode On, Idle Mode Off, Sleep Out	N/A	Partial Mode On, Idle Mode On, Sleep Out	N/A	Sleep In	Yes
Status	Availability																							
Normal Mode On, Idle Mode Off, Sleep Out	Yes																							
Normal Mode On, Idle Mode On, Sleep Out	Yes																							
Partial Mode On, Idle Mode Off, Sleep Out	N/A																							
Partial Mode On, Idle Mode On, Sleep Out	N/A																							
Sleep In	Yes																							
Default	<table border="1"> <thead> <tr> <th>Status</th> <th>Default Value</th> </tr> </thead> <tbody> <tr> <td>Power On Sequence</td> <td>Display Off</td> </tr> <tr> <td>SW Reset</td> <td>Display Off</td> </tr> <tr> <td>HW Reset</td> <td>Display Off</td> </tr> </tbody> </table>												Status	Default Value	Power On Sequence	Display Off	SW Reset	Display Off	HW Reset	Display Off				
Status	Default Value																							
Power On Sequence	Display Off																							
SW Reset	Display Off																							
HW Reset	Display Off																							
Flow Chart	<p>The flow chart illustrates the sequence of operations for the RAMWRC command. It starts with a Host sending a RAMWR (3Ch) command to the Driver. The Driver then sends Image Data (D1[23:0], D2[23:0], ..., Dn[23:0]) to the Driver, which then sends Any Command to the Driver. A legend defines the symbols used in the flow chart: Command (rectangle), Parameter (trapezoid), Display (oval), Action (arrowhead), Mode (rounded rectangle), and Sequential transfer (oval with tail).</p>																							

STESL(4400h): Set Tear Scan Line

4400H	STESL																							
Instruction	R/W	Address			Parameter								HEX											
		MIPI	Other	D15-8	D7	D6	D5	D4	D3	D2	D1	D0												
STESL	W	44h	4400h	00h	STS[15:8]								00											
			4401h	00h	STS[7:0]								00											
Description	This command turns on the display <i>Tearing Effect</i> output to the TE pad when the display line reaches N, set by STS[15:0].																							
Restriction	The tearing effect output is active low when the display module is under sleep-in mode																							
Register Availability	<table border="1"> <thead> <tr> <th>Status</th> <th>Availability</th> </tr> </thead> <tbody> <tr> <td>Normal Mode On, Idle Mode Off, Sleep Out</td> <td>Yes</td> </tr> <tr> <td>Normal Mode On, Idle Mode On, Sleep Out</td> <td>Yes</td> </tr> <tr> <td>Partial Mode On, Idle Mode Off, Sleep Out</td> <td>N/A</td> </tr> <tr> <td>Partial Mode On, Idle Mode On, Sleep Out</td> <td>N/A</td> </tr> <tr> <td>Sleep In</td> <td>Yes</td> </tr> </tbody> </table>												Status	Availability	Normal Mode On, Idle Mode Off, Sleep Out	Yes	Normal Mode On, Idle Mode On, Sleep Out	Yes	Partial Mode On, Idle Mode Off, Sleep Out	N/A	Partial Mode On, Idle Mode On, Sleep Out	N/A	Sleep In	Yes
Status	Availability																							
Normal Mode On, Idle Mode Off, Sleep Out	Yes																							
Normal Mode On, Idle Mode On, Sleep Out	Yes																							
Partial Mode On, Idle Mode Off, Sleep Out	N/A																							
Partial Mode On, Idle Mode On, Sleep Out	N/A																							
Sleep In	Yes																							
Default	<table border="1"> <thead> <tr> <th>Status</th> <th>Default Value</th> </tr> </thead> <tbody> <tr> <td>Power On Sequence</td> <td>STS[15:0]=16'h0000</td> </tr> <tr> <td>SW Reset</td> <td>STS[15:0]=16'h0000</td> </tr> <tr> <td>HW Reset</td> <td>STS[15:0]=16'h0000</td> </tr> </tbody> </table>												Status	Default Value	Power On Sequence	STS[15:0]=16'h0000	SW Reset	STS[15:0]=16'h0000	HW Reset	STS[15:0]=16'h0000				
Status	Default Value																							
Power On Sequence	STS[15:0]=16'h0000																							
SW Reset	STS[15:0]=16'h0000																							
HW Reset	STS[15:0]=16'h0000																							
Flow Chart	<pre> graph TD Start([TE Output On]) --> Command[SETSL] Command --> Param1[/Send 1st parameter STS[15:8]/] Param1 --> Param2[/Send 2nd parameter STS[7:0]/] Param2 --> End([TE Output at the Nth Line]) </pre> <p>Legend:</p> <ul style="list-style-type: none"> Command: Rectangle Parameter: Parallelogram Display: Oval Action: Arrow Mode: Oval Sequential transfer: Oval with tail 																							

GSL (4500h): Get Scan Line

4500H		GSL																						
Instruction	R/W	Address		Parameter								HEX												
		MIPI	Other	D15-8	D7	D6	D5	D4	D3	D2	D1		D0											
GSL	R	45h	4500h	-	-	-	-	-	GTS[11:8]			00												
			4501h	-	GTS[7:0]								00											
Description	The display returns the current scan line, GTS, used to update the display device. The total number of scan lines on a display device is defined as VSYNC + VBP + VACT + VFP. The first scan line is defined as the first line of V-Sync and is denoted as Line 0. When display module is under Sleep-In, the value of returned GTS[11:0] is undefined.																							
Restriction	-																							
Register Availability	<table border="1"> <thead> <tr> <th>Status</th> <th>Availability</th> </tr> </thead> <tbody> <tr> <td>Normal Mode On, Idle Mode Off, Sleep Out</td> <td>Yes</td> </tr> <tr> <td>Normal Mode On, Idle Mode On, Sleep Out</td> <td>Yes</td> </tr> <tr> <td>Partial Mode On, Idle Mode Off, Sleep Out</td> <td>N/A</td> </tr> <tr> <td>Partial Mode On, Idle Mode On, Sleep Out</td> <td>N/A</td> </tr> <tr> <td>Sleep In</td> <td>Yes</td> </tr> </tbody> </table>												Status	Availability	Normal Mode On, Idle Mode Off, Sleep Out	Yes	Normal Mode On, Idle Mode On, Sleep Out	Yes	Partial Mode On, Idle Mode Off, Sleep Out	N/A	Partial Mode On, Idle Mode On, Sleep Out	N/A	Sleep In	Yes
Status	Availability																							
Normal Mode On, Idle Mode Off, Sleep Out	Yes																							
Normal Mode On, Idle Mode On, Sleep Out	Yes																							
Partial Mode On, Idle Mode Off, Sleep Out	N/A																							
Partial Mode On, Idle Mode On, Sleep Out	N/A																							
Sleep In	Yes																							
Flow Chart	<pre> graph TD subgraph Host C[Get_scanline 45h] end subgraph Driver P1[/Send 1st parameter GTS[11:8]/] P2[/Send 2nd parameter GTS[7:0]/] end subgraph Display D([Display]) end C -.-> P1 P1 --> D P2 --> D </pre> <p>Legend</p> <ul style="list-style-type: none"> Command: Rectangle Parameter: Parallelogram Display: Oval Action: Arrow Mode: Rounded Rectangle Sequential transfer: Curved Arrow 																							

DSTBON (4F00h): Deep Standby Mode On

4F00H		DSTBON																							
Instruction	R/W	Address		Parameter									HEX												
		MIPI	Other	D15-8	D7	D6	D5	D4	D3	D2	D1	D0													
DSTBON	W	4Fh	4F00h	00h	0	0	0	0	0	0	0	0	DSTB	00											
Description	This command is used to force the display module to enter the deep standby mode. Pull RESX to low more than 3ms will force display driver to exit deep standby mode and revert to standby mode.																								
Restriction																									
Register Availability	<table border="1"> <thead> <tr> <th>Status</th> <th>Availability</th> </tr> </thead> <tbody> <tr> <td>Normal Mode On, Idle Mode Off, Sleep Out</td> <td>Yes</td> </tr> <tr> <td>Normal Mode On, Idle Mode On, Sleep Out</td> <td>Yes</td> </tr> <tr> <td>Partial Mode On, Idle Mode Off, Sleep Out</td> <td>N/A</td> </tr> <tr> <td>Partial Mode On, Idle Mode On, Sleep Out</td> <td>N/A</td> </tr> <tr> <td>Sleep In</td> <td>Yes</td> </tr> </tbody> </table>													Status	Availability	Normal Mode On, Idle Mode Off, Sleep Out	Yes	Normal Mode On, Idle Mode On, Sleep Out	Yes	Partial Mode On, Idle Mode Off, Sleep Out	N/A	Partial Mode On, Idle Mode On, Sleep Out	N/A	Sleep In	Yes
Status	Availability																								
Normal Mode On, Idle Mode Off, Sleep Out	Yes																								
Normal Mode On, Idle Mode On, Sleep Out	Yes																								
Partial Mode On, Idle Mode Off, Sleep Out	N/A																								
Partial Mode On, Idle Mode On, Sleep Out	N/A																								
Sleep In	Yes																								
Default	<table border="1"> <thead> <tr> <th>Status</th> <th>Default Value</th> </tr> </thead> <tbody> <tr> <td>Power On Sequence</td> <td>00h</td> </tr> <tr> <td>SW Reset</td> <td>00h</td> </tr> <tr> <td>HW Reset</td> <td>00h</td> </tr> </tbody> </table>													Status	Default Value	Power On Sequence	00h	SW Reset	00h	HW Reset	00h				
Status	Default Value																								
Power On Sequence	00h																								
SW Reset	00h																								
HW Reset	00h																								
Flow chart	<pre> graph TD subgraph Host C[DSTBON (4Fh)] end subgraph Driver P[/Parameter DSTB=1/] end subgraph Display D([Deep Standby Mode On]) end C --> P P --> D </pre> <p>Legend:</p> <ul style="list-style-type: none"> Command: Rectangle Parameter: Parallelogram Display: Oval Action: Arrow Mode: Rounded rectangle Sequential transfer: Dashed line 																								

WRDISBV (5100h): Write Display Brightness

5100H		WRDISBV																					
Instruction	R/W	Address		Parameter								HEX											
		MIPI	Other	D15-8	D7	D6	D5	D4	D3	D2	D1		D0										
WRDISBV	W	51h	5100h	00h	DBV[7:0]						00												
			5101h	00h	DBV[15:8]						00												
Description	This command is used to adjust brightness value.																						
Restriction	The display supplier cannot use this command for tuning																						
Register Availability	<table border="1"> <thead> <tr> <th>Status</th> <th>Availability</th> </tr> </thead> <tbody> <tr> <td>Normal Mode On, Idle Mode Off, Sleep Out</td> <td>Yes</td> </tr> <tr> <td>Normal Mode On, Idle Mode On, Sleep Out</td> <td>Yes</td> </tr> <tr> <td>Partial Mode On, Idle Mode Off, Sleep Out</td> <td>N/A</td> </tr> <tr> <td>Partial Mode On, Idle Mode On, Sleep Out</td> <td>N/A</td> </tr> <tr> <td>Sleep In</td> <td>Yes</td> </tr> </tbody> </table>											Status	Availability	Normal Mode On, Idle Mode Off, Sleep Out	Yes	Normal Mode On, Idle Mode On, Sleep Out	Yes	Partial Mode On, Idle Mode Off, Sleep Out	N/A	Partial Mode On, Idle Mode On, Sleep Out	N/A	Sleep In	Yes
Status	Availability																						
Normal Mode On, Idle Mode Off, Sleep Out	Yes																						
Normal Mode On, Idle Mode On, Sleep Out	Yes																						
Partial Mode On, Idle Mode Off, Sleep Out	N/A																						
Partial Mode On, Idle Mode On, Sleep Out	N/A																						
Sleep In	Yes																						
Default	<table border="1"> <thead> <tr> <th>Status</th> <th>Default Value</th> </tr> </thead> <tbody> <tr> <td>Power On Sequence</td> <td>00h</td> </tr> <tr> <td>SW Reset</td> <td>00h</td> </tr> <tr> <td>HW Reset</td> <td>00h</td> </tr> </tbody> </table>											Status	Default Value	Power On Sequence	00h	SW Reset	00h	HW Reset	00h				
Status	Default Value																						
Power On Sequence	00h																						
SW Reset	00h																						
HW Reset	00h																						
Flow chart	<pre> graph TD subgraph Host C[WRDISBV (51h)] end subgraph Driver P[/Parameter DBV[15:0]/] R([New Brightness is utilized]) end C -.-> P P --> R </pre> <p>Legend:</p> <ul style="list-style-type: none"> Command: Rectangle Parameter: Parallelogram Display: Oval Action: Arrowhead Mode: Circle Sequential transfer: Curved arrow 																						

RDDISBV (5200h): Read Display Brightness

5200H		RDDISBV											HEX											
Instruction	R/W	Address			Parameter																			
		MIPI	Other	D15-8	D7	D6	D5	D4	D3	D2	D1	D0												
RDDISBV	R	52h	5200h	-	DBV[7:0]								00											
			5201h	-	DBV[15:8]								00											
Description	8bit : 5100[7:0] 10bit : 5100[1:0], 5101[7:0] 12bit : 5100[3:0], 5101[7:0]																							
Restriction	-																							
Register Availability	<table border="1"> <thead> <tr> <th>Status</th> <th>Availability</th> </tr> </thead> <tbody> <tr> <td>Normal Mode On, Idle Mode Off, Sleep Out</td> <td>Yes</td> </tr> <tr> <td>Normal Mode On, Idle Mode On, Sleep Out</td> <td>Yes</td> </tr> <tr> <td>Partial Mode On, Idle Mode Off, Sleep Out</td> <td>N/A</td> </tr> <tr> <td>Partial Mode On, Idle Mode On, Sleep Out</td> <td>N/A</td> </tr> <tr> <td>Sleep In</td> <td>Yes</td> </tr> </tbody> </table>												Status	Availability	Normal Mode On, Idle Mode Off, Sleep Out	Yes	Normal Mode On, Idle Mode On, Sleep Out	Yes	Partial Mode On, Idle Mode Off, Sleep Out	N/A	Partial Mode On, Idle Mode On, Sleep Out	N/A	Sleep In	Yes
Status	Availability																							
Normal Mode On, Idle Mode Off, Sleep Out	Yes																							
Normal Mode On, Idle Mode On, Sleep Out	Yes																							
Partial Mode On, Idle Mode Off, Sleep Out	N/A																							
Partial Mode On, Idle Mode On, Sleep Out	N/A																							
Sleep In	Yes																							
Default	<table border="1"> <thead> <tr> <th>Status</th> <th>Default Value</th> </tr> </thead> <tbody> <tr> <td>Power On Sequence</td> <td>00h</td> </tr> <tr> <td>SW Reset</td> <td>00h</td> </tr> <tr> <td>HW Reset</td> <td>00h</td> </tr> </tbody> </table>												Status	Default Value	Power On Sequence	00h	SW Reset	00h	HW Reset	00h				
Status	Default Value																							
Power On Sequence	00h																							
SW Reset	00h																							
HW Reset	00h																							
Flow Chart	<p>The flow chart illustrates the communication between the Host and the Driver. The Host sends a Command (RDDISBV (52h)) to the Driver. The Driver then sends a Parameter (Send Parameter DBV[15:0]) to the Display. A legend defines the symbols used in the flow chart: Command (rectangle), Parameter (parallelogram), Display (oval), Action (arrow), Mode (rounded rectangle), and Sequential transfer (oval with tail).</p>																							

WRHBMBC (5300h): Select HBM and Enable BC Control

5300H		WRHBMBC																						
Instruction	R/W	Address		Parameter									HEX											
		MIPI	Other	D15-8	D7	D6	D5	D4	D3	D2	D1	D0												
WRHBMBC	R/W	53h	5300h	00h	HBM[1:0]	BC	0	DD	0	0	0	20												
Description	This command sets the selection of HBM mode and the control bit of brightness and dimming.																							
	Bit	Symbol	DESCRIPTION		Comment																			
	D[7:6]	HBM[1:0]	Selection of high brightness mode		HBM = 2'b11, HBM level 3 HBM = 2'b10, HBM level 2 HBM = 2'b01, HBM level 1 HBM = 2'b00, HBM mode is disable																			
	D5	BC	Brightness control		BC = 0, Brightness control is off BC = 1, Brightness control is on																			
D3	DD	Backlight dimming enable control		DD = 0, Display dimming is off DD = 1, Display dimming is on																				
Restriction	The display supplier cannot use this command for tuning																							
Register Availability	<table border="1"> <thead> <tr> <th>Status</th> <th>Availability</th> </tr> </thead> <tbody> <tr> <td>Normal Mode On, Idle Mode Off, Sleep Out</td> <td>Yes</td> </tr> <tr> <td>Normal Mode On, Idle Mode On, Sleep Out</td> <td>Yes</td> </tr> <tr> <td>Partial Mode On, Idle Mode Off, Sleep Out</td> <td>N/A</td> </tr> <tr> <td>Partial Mode On, Idle Mode On, Sleep Out</td> <td>N/A</td> </tr> <tr> <td>Sleep In</td> <td>Yes</td> </tr> </tbody> </table>												Status	Availability	Normal Mode On, Idle Mode Off, Sleep Out	Yes	Normal Mode On, Idle Mode On, Sleep Out	Yes	Partial Mode On, Idle Mode Off, Sleep Out	N/A	Partial Mode On, Idle Mode On, Sleep Out	N/A	Sleep In	Yes
Status	Availability																							
Normal Mode On, Idle Mode Off, Sleep Out	Yes																							
Normal Mode On, Idle Mode On, Sleep Out	Yes																							
Partial Mode On, Idle Mode Off, Sleep Out	N/A																							
Partial Mode On, Idle Mode On, Sleep Out	N/A																							
Sleep In	Yes																							
Default	<table border="1"> <thead> <tr> <th>Status</th> <th>Default Value</th> </tr> </thead> <tbody> <tr> <td>Power On Sequence</td> <td>20h</td> </tr> <tr> <td>SW Reset</td> <td>20h</td> </tr> <tr> <td>HW Reset</td> <td>20h</td> </tr> </tbody> </table>												Status	Default Value	Power On Sequence	20h	SW Reset	20h	HW Reset	20h				
Status	Default Value																							
Power On Sequence	20h																							
SW Reset	20h																							
HW Reset	20h																							
Flow chart	<pre> graph TD subgraph Host C[WRHBMBC (53h)] end subgraph Driver P[/HBM, BC, DD/] S([New Control Status]) end C --> P P --> S </pre> <p>Legend</p> <ul style="list-style-type: none"> Command: [] Parameter: / / Display: <> Action: <> Mode: () Sequential transfer: () 																							

RDHBMBC (5400h): Read HBM and BC Control

5400H		RDHBMBC																					
Instruction	R/W	Address		Parameter									HEX										
		MIPI	Other	D15-8	D7	D6	D5	D4	D3	D2	D1	D0											
WRHBMBC	R	54h	5400h	-	HBM[1:0]	BC	0	DD	0	0	0	20											
Description	This command reads the status of backlight output control.																						
	Bit	Symbol	DESCRIPTION			Comment																	
	D[7:6]	HBM[1:0]	Selection of high brightness mode			HBM = 2'b11, HBM level 3 HBM = 2'b10, HBM level 2 HBM = 2'b01, HBM level 1 HBM = 2'b00, HBM mode is disable																	
	D5	BC	Brightness control			BC = 0, Brightness control is off BC = 1, Brightness control is on																	
D3	DD	Backlight dimming enable control			DD = 0, Display dimming is off DD = 1, Display dimming is on																		
Restriction	The display supplier cannot use this command for tuning																						
Register Availability	<table border="1"> <thead> <tr> <th>Status</th> <th>Availability</th> </tr> </thead> <tbody> <tr> <td>Normal Mode On, Idle Mode Off, Sleep Out</td> <td>Yes</td> </tr> <tr> <td>Normal Mode On, Idle Mode On, Sleep Out</td> <td>Yes</td> </tr> <tr> <td>Partial Mode On, Idle Mode Off, Sleep Out</td> <td>N/A</td> </tr> <tr> <td>Partial Mode On, Idle Mode On, Sleep Out</td> <td>N/A</td> </tr> <tr> <td>Sleep In</td> <td>Yes</td> </tr> </tbody> </table>											Status	Availability	Normal Mode On, Idle Mode Off, Sleep Out	Yes	Normal Mode On, Idle Mode On, Sleep Out	Yes	Partial Mode On, Idle Mode Off, Sleep Out	N/A	Partial Mode On, Idle Mode On, Sleep Out	N/A	Sleep In	Yes
	Status	Availability																					
	Normal Mode On, Idle Mode Off, Sleep Out	Yes																					
	Normal Mode On, Idle Mode On, Sleep Out	Yes																					
	Partial Mode On, Idle Mode Off, Sleep Out	N/A																					
	Partial Mode On, Idle Mode On, Sleep Out	N/A																					
Sleep In	Yes																						
Default	<table border="1"> <thead> <tr> <th>Status</th> <th>Default Value</th> </tr> </thead> <tbody> <tr> <td>Power On Sequence</td> <td>20h</td> </tr> <tr> <td>SW Reset</td> <td>20h</td> </tr> <tr> <td>HW Reset</td> <td>20h</td> </tr> </tbody> </table>											Status	Default Value	Power On Sequence	20h	SW Reset	20h	HW Reset	20h				
	Status	Default Value																					
	Power On Sequence	20h																					
	SW Reset	20h																					
HW Reset	20h																						
Flow Chart	<pre> graph TD subgraph Host C[RDHBMBC (54h)] end subgraph Driver P[/Send Parameter HBM, BC, DD/] end C -.-> P </pre>																						
	<p>Legend</p> <ul style="list-style-type: none"> Command: Rectangle Parameter: Parallelogram Display: Oval Action: Arrow Mode: Rounded Rectangle Sequential transfer: Oval with arrow 																						

WRRADACL (5500h): Write RAD_ACL Control

5500h		WRRADACL											
Instruction	R/W	Address		Parameter								HEX	
		MIPI	Other	D15-8	D7	D6	D5	D4	D3	D2	D1		D0
WRRADACL	R/W	55h	5500h	00h	0	0	0	0	0	0	0	ACL[1:0]	00
Description	This command is used to set the control and level of ACL mode												
	Bit	Symbol	DESCRIPTION				Comment						
D[1:0]	ACL[1:0]	Selection of Auto-Current Limit level				ACL = 2'b11, ACL effect is high ACL = 2'b10, ACL effect is medium ACL = 2'b01, ACL effect is low ACL = 2'b00, ACL function is disable							
Restriction	-												
Default	Status		Default Value										
	Power On Sequence		00h										
	SW Reset		00h										
	HW Reset		00h										
Flow chart	<pre> graph TD A[WRRADACL (55h)] --> B[/Parameter ACL[1:0]/] B --> C([New ACL control]) </pre>												
	<p>Legend</p> <ul style="list-style-type: none"> Command Parameter Display Action Mode Sequential transfer 												

RDRADACL (5600h): Read RAD_ACL Control

5600h		RDRADACL																		
Instruction	R/W	Address		Parameter								HEX								
		MIPI	Other	D15-8	D7	D6	D5	D4	D3	D2	D1		D0							
RDRADACL	R	56h	5600h	-	-	-	-	-	-	-	-	ACL1:0]	00							
Description	This command is used to read the status of ACL mode																			
	Bit	Symbol	DESCRIPTION	Note																
D[1:0]	ACL[1:0]	Selection of Auto-Current Limit level	ACL = 2'b11, ACL effect is high ACL = 2'b10, ACL effect is medium ACL = 2'b01, ACL effect is low ACL = 2'b00, ACL function is disable																	
Restriction	-																			
Default	<table border="1"> <thead> <tr> <th>Status</th> <th>Default Value</th> </tr> </thead> <tbody> <tr> <td>Power On Sequence</td> <td>00h</td> </tr> <tr> <td>SW Reset</td> <td>00h</td> </tr> <tr> <td>HW Reset</td> <td>00h</td> </tr> </tbody> </table>												Status	Default Value	Power On Sequence	00h	SW Reset	00h	HW Reset	00h
Status	Default Value																			
Power On Sequence	00h																			
SW Reset	00h																			
HW Reset	00h																			
Flow Chart																				

WRCE (5800h): Write Color Enhancement Control

5800H		8WRCE											
Instruction	R/W	Address		Parameter									HEX
		MIPI	Others	D15-8	D7	D6	D5	D4	D3	D2	D1	D0	
WRCE	R/W	58h	5800h	00h	C7	C6	C5	C4	C3	C2	0	0	48
Description	This command is used to set parameters for contrast enhancement mode.												
	Bit	Symbol	Description		Comment								
	C7	CTE_EN	Contrast Enhancement Enable		0 : CTE function disable 1 : CTE function enable								
	C6 ~ C3	CTE_LEVEL[3:0]	CTE level selection										
C2	Reserved	-		Reserved									
Restriction													
Register Availability	Status		Availability										
	Normal Mode On, Idle Mode Off, Sleep Out		Yes										
	Normal Mode On, Idle Mode On, Sleep Out		Yes										
	Partial Mode On, Idle Mode Off, Sleep Out		N/A										
	Partial Mode On, Idle Mode On, Sleep Out		N/A										
Sleep In		Yes											
Default	Status		Default Value										
	Power On Sequence		48h										
	SW Reset		48h										
	HW Reset		48h										
Flow chart	<pre> graph TD subgraph Host_Driver [Host Driver] WRCE[WRCE 58h] end subgraph Driver Param[/Parameter C7 ~ C0/] Mode([New Color Adjustment Mode]) end WRCE -.-> Param Param --> Mode </pre> <p>Legend</p> <ul style="list-style-type: none"> Command: Rectangle Parameter: Parallelogram Display: Pointed rectangle (left) Action: Pointed rectangle (right) Mode: Oval Sequential transfer: Oval with tail 												

RDCE (5900h): Read Color Enhancement Control

5900H		RDCE																								
Instruction	R/W	Address			Parameter								HEX													
		MIPI	Others	D15-8	D7	D6	D5	D4	D3	D2	D1	D0														
RDCE	R	59h	5900h	-	C7	C6	C5	C4	C3	0	C1	C0	48													
Description	This command is used to read parameters for contrast enhancement mode.																									
	Bit	Symbol	Description					Comment																		
	C7	CTE_EN	Contrast Enhancement Enable					0 : CTE function disable 1 : CTE function enable																		
	C6 ~ C3	CTE_LEVEL[3:0]	CTE level selection																							
C2	Reserved	-					Reserved																			
Restriction																										
Register Availability	<table border="1"> <thead> <tr> <th>Status</th> <th>Availability</th> </tr> </thead> <tbody> <tr> <td>Normal Mode On, Idle Mode Off, Sleep Out</td> <td>Yes</td> </tr> <tr> <td>Normal Mode On, Idle Mode On, Sleep Out</td> <td>Yes</td> </tr> <tr> <td>Partial Mode On, Idle Mode Off, Sleep Out</td> <td>N/A</td> </tr> <tr> <td>Partial Mode On, Idle Mode On, Sleep Out</td> <td>N/A</td> </tr> <tr> <td>Sleep In</td> <td>Yes</td> </tr> </tbody> </table>												Status	Availability	Normal Mode On, Idle Mode Off, Sleep Out	Yes	Normal Mode On, Idle Mode On, Sleep Out	Yes	Partial Mode On, Idle Mode Off, Sleep Out	N/A	Partial Mode On, Idle Mode On, Sleep Out	N/A	Sleep In	Yes		
	Status	Availability																								
	Normal Mode On, Idle Mode Off, Sleep Out	Yes																								
	Normal Mode On, Idle Mode On, Sleep Out	Yes																								
	Partial Mode On, Idle Mode Off, Sleep Out	N/A																								
	Partial Mode On, Idle Mode On, Sleep Out	N/A																								
Sleep In	Yes																									
Default	<table border="1"> <thead> <tr> <th>Status</th> <th>Default Value</th> </tr> </thead> <tbody> <tr> <td>Power On Sequence</td> <td>48h</td> </tr> <tr> <td>SW Reset</td> <td>48h</td> </tr> <tr> <td>HW Reset</td> <td>48h</td> </tr> </tbody> </table>												Status	Default Value	Power On Sequence	48h	SW Reset	48h	HW Reset	48h						
	Status	Default Value																								
	Power On Sequence	48h																								
	SW Reset	48h																								
HW Reset	48h																									
Flow Chart	<pre> graph TD subgraph Host RDCE[RDCE 59h] end subgraph Driver Send[/Send Parameter C7 ~ C0/] end RDCE --> Send Send -.-> Host </pre>																									
	<table border="1"> <thead> <tr> <th colspan="2">Legend</th> </tr> </thead> <tbody> <tr> <td></td> <td>Command</td> </tr> <tr> <td></td> <td>Parameter</td> </tr> <tr> <td></td> <td>Display</td> </tr> <tr> <td></td> <td>Action</td> </tr> <tr> <td></td> <td>Mode</td> </tr> <tr> <td></td> <td>Sequential transfer</td> </tr> </tbody> </table>													Legend			Command		Parameter		Display		Action		Mode	
Legend																										
	Command																									
	Parameter																									
	Display																									
	Action																									
	Mode																									
	Sequential transfer																									

WRCE1 (5A00h): Write CE1

5A00H		WRCE																							
Instruction	R/W	Address		Parameter									HEX												
		MIPI	Others	D15-8	D7	D6	D5	D4	D3	D2	D1	D0													
WRCE1	R/W	5Ah	5A00h	00h	C7	0	C5	C4	C3	0	C1	C0	11												
Description	This command is used to set parameters for skin tone and vivid color mode.																								
	Bit	Symbol	Description		Comment																				
	C7	SKIN_EN	Skin Color enable		0 : Skin tone compensation off 1 : Skin-tone compensation on																				
	C[5:4]	SKIN_LEVEL[1:0]	Skin Color level																						
	C3	EN_VIVID_ENH	Vivid Color enable		0 : Vivid color mode off 1 : Vivid color mode on																				
C[1:0]	CE_LEVEL[1:0]	Vivid Color Level																							
Restriction																									
Register Availability	<table border="1"> <thead> <tr> <th>Status</th> <th>Availability</th> </tr> </thead> <tbody> <tr> <td>Normal Mode On, Idle Mode Off, Sleep Out</td> <td>Yes</td> </tr> <tr> <td>Normal Mode On, Idle Mode On, Sleep Out</td> <td>Yes</td> </tr> <tr> <td>Partial Mode On, Idle Mode Off, Sleep Out</td> <td>N/A</td> </tr> <tr> <td>Partial Mode On, Idle Mode On, Sleep Out</td> <td>N/A</td> </tr> <tr> <td>Sleep In</td> <td>Yes</td> </tr> </tbody> </table>													Status	Availability	Normal Mode On, Idle Mode Off, Sleep Out	Yes	Normal Mode On, Idle Mode On, Sleep Out	Yes	Partial Mode On, Idle Mode Off, Sleep Out	N/A	Partial Mode On, Idle Mode On, Sleep Out	N/A	Sleep In	Yes
Status	Availability																								
Normal Mode On, Idle Mode Off, Sleep Out	Yes																								
Normal Mode On, Idle Mode On, Sleep Out	Yes																								
Partial Mode On, Idle Mode Off, Sleep Out	N/A																								
Partial Mode On, Idle Mode On, Sleep Out	N/A																								
Sleep In	Yes																								
Default	<table border="1"> <thead> <tr> <th>Status</th> <th>Default Value</th> </tr> </thead> <tbody> <tr> <td>Power On Sequence</td> <td>11h</td> </tr> <tr> <td>SW Reset</td> <td>11h</td> </tr> <tr> <td>HW Reset</td> <td>11h</td> </tr> </tbody> </table>													Status	Default Value	Power On Sequence	11h	SW Reset	11h	HW Reset	11h				
Status	Default Value																								
Power On Sequence	11h																								
SW Reset	11h																								
HW Reset	11h																								
Flow chart	<pre> graph TD Host[Host] -- WRCE (5Ah) --> Driver[Driver] Driver -- Parameter C7 ~ C0 --> Mode([New Color Adjustment Mode]) </pre> <p>Legend:</p> <ul style="list-style-type: none"> Command: Rectangle Parameter: Parallelogram Display: Oval with tail Action: Oval with tail Mode: Oval Sequential transfer: Oval with tail 																								

RDCE1 (5B00h): Read Color Enhancement Control

5B00H		RDCE											HEX												
Instruction	R/W	Address		Parameter																					
		MIPI	Others	D15-8	D7	D6	D5	D4	D3	D2	D1	D0													
RDCE1	R	5Bh	5B00h	-	C7	0	C5	C4	C3	0	C1	C0	11												
Description	This command is used to read parameters of skin tone and vivid color mode.																								
	Bit	Symbol	Description		Comment																				
	C7	SKIN_EN	Skin Color enable		0 : Skin tone compensation off 1 : Skin-tone compensation on																				
	C[5:4]	SKIN_LEVEL[1:0]	Skin Color level																						
	C3	EN_VIVID_ENH	Vivid Color enable		0 : Vivid color mode off 1 : Vivid color mode on																				
C[1:0]	CE_LEVEL[1:0]	Vivid Color Level																							
Restriction																									
Register Availability	<table border="1"> <thead> <tr> <th>Status</th> <th>Availability</th> </tr> </thead> <tbody> <tr> <td>Normal Mode On, Idle Mode Off, Sleep Out</td> <td>Yes</td> </tr> <tr> <td>Normal Mode On, Idle Mode On, Sleep Out</td> <td>Yes</td> </tr> <tr> <td>Partial Mode On, Idle Mode Off, Sleep Out</td> <td>N/A</td> </tr> <tr> <td>Partial Mode On, Idle Mode On, Sleep Out</td> <td>N/A</td> </tr> <tr> <td>Sleep In</td> <td>Yes</td> </tr> </tbody> </table>													Status	Availability	Normal Mode On, Idle Mode Off, Sleep Out	Yes	Normal Mode On, Idle Mode On, Sleep Out	Yes	Partial Mode On, Idle Mode Off, Sleep Out	N/A	Partial Mode On, Idle Mode On, Sleep Out	N/A	Sleep In	Yes
Status	Availability																								
Normal Mode On, Idle Mode Off, Sleep Out	Yes																								
Normal Mode On, Idle Mode On, Sleep Out	Yes																								
Partial Mode On, Idle Mode Off, Sleep Out	N/A																								
Partial Mode On, Idle Mode On, Sleep Out	N/A																								
Sleep In	Yes																								
Default	<table border="1"> <thead> <tr> <th>Status</th> <th>Default Value</th> </tr> </thead> <tbody> <tr> <td>Power On Sequence</td> <td>11h</td> </tr> <tr> <td>SW Reset</td> <td>11h</td> </tr> <tr> <td>HW Reset</td> <td>11h</td> </tr> </tbody> </table>													Status	Default Value	Power On Sequence	11h	SW Reset	11h	HW Reset	11h				
Status	Default Value																								
Power On Sequence	11h																								
SW Reset	11h																								
HW Reset	11h																								
Flow Chart	<p>The flow chart illustrates the process of reading the RDCE (5Bh) register. A Host sends a Command (RDCE (5Bh)) to the Driver. The Driver then sends back the Parameter values (C7 to C0). A legend defines the symbols used: a rectangle for Command, a parallelogram for Parameter, a rounded rectangle for Display, a chevron for Action, a rounded rectangle for Mode, and a rounded rectangle with a tail for Sequential transfer.</p>																								

WRCE2 (5C00h): Write CE2

5C00h		WRCE2																						
Instruction	R/W	Address		Parameter									HEX											
		MIPI	Other	D15-8	D7	D6	D5	D4	D3	D2	D1	D0												
WRCE2	R/W	5Ch	5C00h	00h	D7	D6	D5	D4	D3	D2	D1	D0	24											
Description	This command is used to set the parameters for CE2																							
	Bit	Symbol		Description					Comment															
	D7	SLR_EN		Enable control of Sunlight Readable					0 : Disable 1 : Enable															
	D[6:5]	SLR_LEVEL[1:0]		Sunlight Readable Enhancement level																				
	D4	EN_EDGE_ENH		Enable control of Edge Enhancement					0 : Disable 1 : Enable															
D[3:0]	EDGE_LEVEL[3:0]		Edge enhancement Level																					
Restriction	-																							
Register Availability	<table border="1"> <thead> <tr> <th>Status</th> <th>Availability</th> </tr> </thead> <tbody> <tr> <td>Normal Mode On, Idle Mode Off, Sleep Out</td> <td>Yes</td> </tr> <tr> <td>Normal Mode On, Idle Mode On, Sleep Out</td> <td>Yes</td> </tr> <tr> <td>Partial Mode On, Idle Mode Off, Sleep Out</td> <td>N/A</td> </tr> <tr> <td>Partial Mode On, Idle Mode On, Sleep Out</td> <td>N/A</td> </tr> <tr> <td>Sleep In</td> <td>Yes</td> </tr> </tbody> </table>												Status	Availability	Normal Mode On, Idle Mode Off, Sleep Out	Yes	Normal Mode On, Idle Mode On, Sleep Out	Yes	Partial Mode On, Idle Mode Off, Sleep Out	N/A	Partial Mode On, Idle Mode On, Sleep Out	N/A	Sleep In	Yes
	Status	Availability																						
	Normal Mode On, Idle Mode Off, Sleep Out	Yes																						
	Normal Mode On, Idle Mode On, Sleep Out	Yes																						
	Partial Mode On, Idle Mode Off, Sleep Out	N/A																						
	Partial Mode On, Idle Mode On, Sleep Out	N/A																						
Sleep In	Yes																							
Default	<table border="1"> <thead> <tr> <th>Status</th> <th>Default Value</th> </tr> </thead> <tbody> <tr> <td>Power On Sequence</td> <td>24h</td> </tr> <tr> <td>SW Reset</td> <td>24h</td> </tr> <tr> <td>HW Reset</td> <td>24h</td> </tr> </tbody> </table>												Status	Default Value	Power On Sequence	24h	SW Reset	24h	HW Reset	24h				
	Status	Default Value																						
	Power On Sequence	24h																						
	SW Reset	24h																						
HW Reset	24h																							
Flow Chart	<pre> graph TD subgraph Host C[WRCE2 (5Ch)] end subgraph Driver P[/Parameter C7 ~ C0/] N([New CE2]) end C -.-> P P --> N </pre>																							
	<p>Legend</p> <ul style="list-style-type: none"> Command Parameter Display Action Mode Sequential transfer 																							

RDCE2 (5D00h): Read CE2

5D00h		RDCE2																							
Instruction	R/W	Address		Parameter									HEX												
		MIPI	Other	D15-8	D7	D6	D5	D4	D3	D2	D1	D0													
RDCE2	R	5Dh	5D00h	-	D7	D6	D5	D4	D3	D2	D1	D0	24												
Description	This command is used to read the parameters for CE2																								
	Bit	Symbol		Description					Comment																
	D7	SLR_EN		Enable control of Sunlight Readable					0 : Disable 1 : Enable																
	D[6:5]	SLR_LEVEL[1:0]		Sunlight Readable Enhancement level																					
	D4	EN_EDGE_ENH		Enable control of Edge Enhancement					0 : Disable 1 : Enable																
D[3:0]	EDGE_LEVEL[3:0]		Edge enhancement Level																						
Restriction	-																								
Register Availability	<table border="1"> <thead> <tr> <th>Status</th> <th>Availability</th> </tr> </thead> <tbody> <tr> <td>Normal Mode On, Idle Mode Off, Sleep Out</td> <td>Yes</td> </tr> <tr> <td>Normal Mode On, Idle Mode On, Sleep Out</td> <td>Yes</td> </tr> <tr> <td>Partial Mode On, Idle Mode Off, Sleep Out</td> <td>N/A</td> </tr> <tr> <td>Partial Mode On, Idle Mode On, Sleep Out</td> <td>N/A</td> </tr> <tr> <td>Sleep In</td> <td>Yes</td> </tr> </tbody> </table>													Status	Availability	Normal Mode On, Idle Mode Off, Sleep Out	Yes	Normal Mode On, Idle Mode On, Sleep Out	Yes	Partial Mode On, Idle Mode Off, Sleep Out	N/A	Partial Mode On, Idle Mode On, Sleep Out	N/A	Sleep In	Yes
Status	Availability																								
Normal Mode On, Idle Mode Off, Sleep Out	Yes																								
Normal Mode On, Idle Mode On, Sleep Out	Yes																								
Partial Mode On, Idle Mode Off, Sleep Out	N/A																								
Partial Mode On, Idle Mode On, Sleep Out	N/A																								
Sleep In	Yes																								
Default	<table border="1"> <thead> <tr> <th>Status</th> <th>Default Value</th> </tr> </thead> <tbody> <tr> <td>Power On Sequence</td> <td>24h</td> </tr> <tr> <td>SW Reset</td> <td>24h</td> </tr> <tr> <td>HW Reset</td> <td>24h</td> </tr> </tbody> </table>													Status	Default Value	Power On Sequence	24h	SW Reset	24h	HW Reset	24h				
Status	Default Value																								
Power On Sequence	24h																								
SW Reset	24h																								
HW Reset	24h																								
Flow Chart	<p>The flow chart illustrates the RDCE2 (5Dh) command sequence. A Host sends the RDCE2 (5Dh) command to the Driver. The Driver then sends back parameters C7 to C0. A legend defines the symbols used in the flow chart: a rectangle for Command, a parallelogram for Parameter, a diamond for Display, a chevron for Action, an oval for Mode, and a speech bubble for Sequential transfer.</p>																								

WRCTS (6200h): Write Color Temperature Shift

6200H		WRCTS											
Instruction	R/W	Address		Parameter									HEX
		MIPI	Others	D15-8	D7	D6	D5	D4	D3	D2	D1	D0	
WRCTS	R/W	62h	6200h	00h	C7	C6	C5	C4	C3	C2	C1	C0	00
Description	This command is used to set the color temperature shift away from its original state.												
	Bit	Symbol		Description			Comment						
	C7	TEMPER_EN		Color temperature shift enable			0 : Color temperature shift disable 1 : Color temperature shift enable						
	C6 ~ C0	TEMP_LEVEL[6:0]		Color temperature shift level									
Restriction													
Register Availability	Status			Availability									
	Normal Mode On, Idle Mode Off, Sleep Out			Yes									
	Normal Mode On, Idle Mode On, Sleep Out			Yes									
	Partial Mode On, Idle Mode Off, Sleep Out			N/A									
	Partial Mode On, Idle Mode On, Sleep Out			N/A									
	Sleep In			Yes									
Default	Status			Default Value									
	Power On Sequence			00h									
	SW Reset			00h									
	HW Reset			00h									
Flow chart	<pre> graph TD subgraph Host A[WRCTS (62h)] end subgraph Driver B[/Parameter C7/] C([New Color Temperature Display]) end A -.-> B B --> C </pre> <p>The flow chart illustrates the process of writing the color temperature shift. It starts with a Host sending the WRCTS (62h) command to the Driver. The Driver then processes Parameter C7, which results in a New Color Temperature Display. A legend on the right defines the symbols used in the flow chart: a rectangle for Command, a parallelogram for Parameter, an oval for Display, an arrow for Action, a rounded rectangle for Mode, and an oval with an arrow for Sequential transfer.</p>												

RDCTS (6300h): Read Color Temperature Shift

6300H		RDCTS																							
Instruction	R/W	Address		Parameter									HEX												
		MIPI	Others	D15-8	D7	D6	D5	D4	D3	D2	D1	D0													
RDCTS	R	63h	6300h	-	C7	C6	C5	C4	C3	C2	C1	C0	00												
Description	This command is used to read the color temperature shift away from its original state.																								
	Bit	Symbol		Description				Comment																	
	C7	TEMPER_EN		Color temperature shift enable				0 : Color temperature shift disable 1 : Color temperature shift enable																	
	C6 ~ C0	TEMP_LEVEL[6:0]		Color temperature shift level																					
Restriction																									
Register Availability		<table border="1"> <thead> <tr> <th>Status</th> <th>Availability</th> </tr> </thead> <tbody> <tr> <td>Normal Mode On, Idle Mode Off, Sleep Out</td> <td>Yes</td> </tr> <tr> <td>Normal Mode On, Idle Mode On, Sleep Out</td> <td>Yes</td> </tr> <tr> <td>Partial Mode On, Idle Mode Off, Sleep Out</td> <td>N/A</td> </tr> <tr> <td>Partial Mode On, Idle Mode On, Sleep Out</td> <td>N/A</td> </tr> <tr> <td>Sleep In</td> <td>Yes</td> </tr> </tbody> </table>												Status	Availability	Normal Mode On, Idle Mode Off, Sleep Out	Yes	Normal Mode On, Idle Mode On, Sleep Out	Yes	Partial Mode On, Idle Mode Off, Sleep Out	N/A	Partial Mode On, Idle Mode On, Sleep Out	N/A	Sleep In	Yes
Status	Availability																								
Normal Mode On, Idle Mode Off, Sleep Out	Yes																								
Normal Mode On, Idle Mode On, Sleep Out	Yes																								
Partial Mode On, Idle Mode Off, Sleep Out	N/A																								
Partial Mode On, Idle Mode On, Sleep Out	N/A																								
Sleep In	Yes																								
Default		<table border="1"> <thead> <tr> <th>Status</th> <th>Default Value</th> </tr> </thead> <tbody> <tr> <td>Power On Sequence</td> <td>00h</td> </tr> <tr> <td>SW Reset</td> <td>00h</td> </tr> <tr> <td>HW Reset</td> <td>00h</td> </tr> </tbody> </table>												Status	Default Value	Power On Sequence	00h	SW Reset	00h	HW Reset	00h				
Status	Default Value																								
Power On Sequence	00h																								
SW Reset	00h																								
HW Reset	00h																								
Flow Chart		<pre> graph TD Host[Host] -- "RDCTS (63h)" --> Driver[/Send Parameter C7/] style Host fill:#fff,stroke:#000 style Driver fill:#fff,stroke:#000 </pre> <p>Legend</p> <ul style="list-style-type: none"> Command: Rectangle Parameter: Parallelogram Display: Oval Action: Arrowhead Mode: Oval Sequential transfer: Oval with tail 																							

WRPAPER (6400h): Write Paper Mode Setting

6400H		WRPAPER																							
Instruction	R/W	Address		Parameter									HEX												
		MIPI	Others	D15-8	D7	D6	D5	D4	D3	D2	D1	D0													
WRPAPER	R/W	64h	6400h	00h	C7	C6	C5	C4	C3	C2	C1	C0	00												
Description	This command is used to set the application of paper mode.																								
	Bit	Symbol	Description		Comment																				
	C7	PAPER_EN	Paper mode enable		0 : Paper mode disable 1 : Paper mode enable																				
	C6 ~ C0	PAPER_LEVEL[6:0]	Color temperature shift level for paper mode																						
Restriction	The range of color temperature shift range depends on the applied panel.																								
Register Availability	<table border="1"> <thead> <tr> <th>Status</th> <th>Availability</th> </tr> </thead> <tbody> <tr> <td>Normal Mode On, Idle Mode Off, Sleep Out</td> <td>Yes</td> </tr> <tr> <td>Normal Mode On, Idle Mode On, Sleep Out</td> <td>Yes</td> </tr> <tr> <td>Partial Mode On, Idle Mode Off, Sleep Out</td> <td>N/A</td> </tr> <tr> <td>Partial Mode On, Idle Mode On, Sleep Out</td> <td>N/A</td> </tr> <tr> <td>Sleep In</td> <td>Yes</td> </tr> </tbody> </table>													Status	Availability	Normal Mode On, Idle Mode Off, Sleep Out	Yes	Normal Mode On, Idle Mode On, Sleep Out	Yes	Partial Mode On, Idle Mode Off, Sleep Out	N/A	Partial Mode On, Idle Mode On, Sleep Out	N/A	Sleep In	Yes
Status	Availability																								
Normal Mode On, Idle Mode Off, Sleep Out	Yes																								
Normal Mode On, Idle Mode On, Sleep Out	Yes																								
Partial Mode On, Idle Mode Off, Sleep Out	N/A																								
Partial Mode On, Idle Mode On, Sleep Out	N/A																								
Sleep In	Yes																								
Default	<table border="1"> <thead> <tr> <th>Status</th> <th>Default Value</th> </tr> </thead> <tbody> <tr> <td>Power On Sequence</td> <td>00h</td> </tr> <tr> <td>SW Reset</td> <td>00h</td> </tr> <tr> <td>HW Reset</td> <td>00h</td> </tr> </tbody> </table>													Status	Default Value	Power On Sequence	00h	SW Reset	00h	HW Reset	00h				
Status	Default Value																								
Power On Sequence	00h																								
SW Reset	00h																								
HW Reset	00h																								
Flow chart	<pre> graph TD subgraph Host WRPAPER[WRPAPER 64h] end subgraph Driver Param[/Parameter C7 ~ C0/] Setting([Paper mode setting]) end WRPAPER --> Param Param --> Setting </pre> <p>Legend:</p> <ul style="list-style-type: none"> Command: Rectangle Parameter: Parallelogram Display: Arrow pointing right Action: Arrow pointing left Mode: Oval Sequential transfer: Oval with a curved arrow 																								

RDPAPER (6500h): Read Paper Mode Setting

6500H		RDPAPER																							
Instruction	R/W	Address		Parameter									HEX												
		MIPI	Others	D15-8	D7	D6	D5	D4	D3	D2	D1	D0													
RDPAPER	R	65h	6500h	-	C7	C6	C5	C4	C3	C2	C1	C0	00												
Description	This command is used to read the paper mode setting.																								
	Bit	Symbol		Description				Comment																	
	C7	PAPER_EN		Paper mode enable				0 : Paper mode disable 1 : Paper mode enable																	
	C6 ~ C0	PAPER_LEVEL[6:0]		Color temperature shift level for paper mode																					
Restriction																									
Register Availability		<table border="1"> <thead> <tr> <th>Status</th> <th>Availability</th> </tr> </thead> <tbody> <tr> <td>Normal Mode On, Idle Mode Off, Sleep Out</td> <td>Yes</td> </tr> <tr> <td>Normal Mode On, Idle Mode On, Sleep Out</td> <td>Yes</td> </tr> <tr> <td>Partial Mode On, Idle Mode Off, Sleep Out</td> <td>N/A</td> </tr> <tr> <td>Partial Mode On, Idle Mode On, Sleep Out</td> <td>N/A</td> </tr> <tr> <td>Sleep In</td> <td>Yes</td> </tr> </tbody> </table>												Status	Availability	Normal Mode On, Idle Mode Off, Sleep Out	Yes	Normal Mode On, Idle Mode On, Sleep Out	Yes	Partial Mode On, Idle Mode Off, Sleep Out	N/A	Partial Mode On, Idle Mode On, Sleep Out	N/A	Sleep In	Yes
Status	Availability																								
Normal Mode On, Idle Mode Off, Sleep Out	Yes																								
Normal Mode On, Idle Mode On, Sleep Out	Yes																								
Partial Mode On, Idle Mode Off, Sleep Out	N/A																								
Partial Mode On, Idle Mode On, Sleep Out	N/A																								
Sleep In	Yes																								
Default		<table border="1"> <thead> <tr> <th>Status</th> <th>Default Value</th> </tr> </thead> <tbody> <tr> <td>Power On Sequence</td> <td>00h</td> </tr> <tr> <td>SW Reset</td> <td>00h</td> </tr> <tr> <td>HW Reset</td> <td>00h</td> </tr> </tbody> </table>												Status	Default Value	Power On Sequence	00h	SW Reset	00h	HW Reset	00h				
Status	Default Value																								
Power On Sequence	00h																								
SW Reset	00h																								
HW Reset	00h																								
Flow Chart		<p>The flow chart illustrates the communication between a Host and a Driver. The Host sends the RDPAPER (65h) command to the Driver. The Driver then sends the parameter values C7 through C0 back to the Host. A legend on the right defines the symbols used in the flow chart: a rectangle for Command, a parallelogram for Parameter, a rounded rectangle for Display, a chevron for Action, a rounded rectangle for Mode, and a speech bubble for Sequential transfer.</p>																							

WRWB (6600h): Write White Balance Control

6600H		WRWB											
Instruction	R/W	Address		Parameter									HEX
		MIPI	Others	D15-8	D7	D6	D5	D4	D3	D2	D1	D0	
WRWB	R/W	66h	6600h	00h	C7	0	0	0	0	0	0	0	00
Description	This command is used to enable or disable white balance.												
	Bit	Symbol	Description		Comment								
C7	WB_EN	White balance enable		0 : White balance disable 1 : White balance enable									
Restriction													
Register Availability	Status		Availability										
	Normal Mode On, Idle Mode Off, Sleep Out		Yes										
	Normal Mode On, Idle Mode On, Sleep Out		Yes										
	Partial Mode On, Idle Mode Off, Sleep Out		N/A										
	Partial Mode On, Idle Mode On, Sleep Out		N/A										
Default	Status		Default Value										
	Power On Sequence		00h										
	SW Reset		00h										
	HW Reset		00h										
Flow chart	<pre> graph TD subgraph Host C[WRWB (66h)] end subgraph Driver P[/Parameter C7 ~ C0/] A([Color temperature of white-point shifts]) end C -.-> P P --> A </pre>												
	<p>Legend</p> <ul style="list-style-type: none"> Command: [] Parameter: / / Display: [] Action: [] Mode: [] Sequential transfer: [] 												

RDWB (6700h): Read White Balance Control

6700H		RDWB											HEX
Instruction	R/W	Address		Parameter									
		MIPI	Others	D15-8	D7	D6	D5	D4	D3	D2	D1	D0	
RDWB	R	67h	6700h	-	C7	-	-	-	-	-	-	-	00
Description	This command is used to read the paper mode setting.												
	Bit	Symbol		Description				Comment					
	C7	WB_EN		White balance enable				0 : White balance disable 1 : White balance enable					
Restriction													
Register Availability	Status				Availability								
	Normal Mode On, Idle Mode Off, Sleep Out				Yes								
	Normal Mode On, Idle Mode On, Sleep Out				Yes								
	Partial Mode On, Idle Mode Off, Sleep Out				N/A								
	Partial Mode On, Idle Mode On, Sleep Out				N/A								
	Sleep In				Yes								
Default	Status				Default Value								
	Power On Sequence				00h								
	SW Reset				00h								
	HW Reset				00h								
Flow Chart	<pre> graph TD subgraph Host RDWB[RDWB 67h] end subgraph Driver Send[/Send Parameter C7 ~ C0/] end RDWB -.-> Send Send -.-> Host </pre> <p>Legend</p> <ul style="list-style-type: none"> Command: Rectangle Parameter: Parallelogram Display: Oval Action: Arrowhead Mode: Rounded rectangle Sequential transfer: Oval with tail 												

RDDDBS (A100h): Read DDB Start

A100H		RDDDBS											HEX													
Instruction	R/W	Address			Parameter																					
		MIPI	Other	D15-8	D7	D6	D5	D4	D3	D2	D1	D0														
RDDDBS	R	A1h	A100h	-	SID[7:0]								00													
			A101h	-	SID[15:8]								00													
			A102h	-	MID[7:0]								00													
			A103h	-	MID[15:8]								00													
			A104h	-	1	1	1	1	1	1	1	1	1	1	FF											
Description	1 st and 2 nd parameter: Supplier ID code 3 rd and 4 th parameter: Module ID code 5 th Exit code (FFh).																									
Restriction																										
Register Availability	<table border="1"> <thead> <tr> <th>Status</th> <th>Availability</th> </tr> </thead> <tbody> <tr> <td>Normal Mode On, Idle Mode Off, Sleep Out</td> <td>Yes</td> </tr> <tr> <td>Normal Mode On, Idle Mode On, Sleep Out</td> <td>Yes</td> </tr> <tr> <td>Partial Mode On, Idle Mode Off, Sleep Out</td> <td>N/A</td> </tr> <tr> <td>Partial Mode On, Idle Mode On, Sleep Out</td> <td>N/A</td> </tr> <tr> <td>Sleep In</td> <td>Yes</td> </tr> </tbody> </table>												Status	Availability	Normal Mode On, Idle Mode Off, Sleep Out	Yes	Normal Mode On, Idle Mode On, Sleep Out	Yes	Partial Mode On, Idle Mode Off, Sleep Out	N/A	Partial Mode On, Idle Mode On, Sleep Out	N/A	Sleep In	Yes		
Status	Availability																									
Normal Mode On, Idle Mode Off, Sleep Out	Yes																									
Normal Mode On, Idle Mode On, Sleep Out	Yes																									
Partial Mode On, Idle Mode Off, Sleep Out	N/A																									
Partial Mode On, Idle Mode On, Sleep Out	N/A																									
Sleep In	Yes																									
Default	<table border="1"> <thead> <tr> <th rowspan="2">Status</th> <th colspan="2">Default Value</th> </tr> <tr> <th>After OTP</th> <th>Before OTP</th> </tr> </thead> <tbody> <tr> <td>Power On Sequence</td> <td>OTP Value</td> <td>00h</td> </tr> <tr> <td>SW Reset</td> <td>OTP Value</td> <td>00h</td> </tr> <tr> <td>HW Reset</td> <td>OTP Value</td> <td>00h</td> </tr> </tbody> </table>												Status	Default Value		After OTP	Before OTP	Power On Sequence	OTP Value	00h	SW Reset	OTP Value	00h	HW Reset	OTP Value	00h
Status	Default Value																									
	After OTP	Before OTP																								
Power On Sequence	OTP Value	00h																								
SW Reset	OTP Value	00h																								
HW Reset	OTP Value	00h																								
Flow Chart	<pre> graph TD RDDDBS[A1h] --> S1[/Send Parameter SID[7:0]/] S1 --> S2[/Send Parameter SID[15:8]/] S2 --> S3[/Send Parameter MID[7:0]/] S3 --> S4[/Send Parameter MID[15:8]/] S4 --> S5[/Send Parameter FFh/] </pre> <p>Legend:</p> <ul style="list-style-type: none"> Command: Rectangle Parameter: Parallelogram Display: Oval Action: Arrowhead Mode: Oval Sequential transfer: Oval with tail 																									

RDDDBC (A800h): Read DDB Continuous

A800H		RDDDBC																							
Instruction	R/W	Address			Parameter								HEX												
		MIPI	Other	D15-8	D7	D6	D5	D4	D3	D2	D1	D0													
RDDDBC	R	A8h	A800h	-	SID[7:0]								00												
			A801h	-	SID[15:8]								00												
			A802h	-	MID[7:0]								00												
			A803h	-	MID[15:8]								00												
			A804h	-	1	1	1	1	1	1	1	1	1	FF											
Description	This command returns the supplier ID and display module mode/revision information.																								
Restriction	A Read DDB-Start command (RDDDBS) should be executed at least once before a Read DDB-Continue command (RDDDBC) to define the read location. Otherwise, data read with a Read DDB-Continue command is undefined.																								
Register Availability	<table border="1"> <thead> <tr> <th>Status</th> <th>Availability</th> </tr> </thead> <tbody> <tr> <td>Normal Mode On, Idle Mode Off, Sleep Out</td> <td>Yes</td> </tr> <tr> <td>Normal Mode On, Idle Mode On, Sleep Out</td> <td>Yes</td> </tr> <tr> <td>Partial Mode On, Idle Mode Off, Sleep Out</td> <td>N/A</td> </tr> <tr> <td>Partial Mode On, Idle Mode On, Sleep Out</td> <td>N/A</td> </tr> <tr> <td>Sleep In</td> <td>Yes</td> </tr> </tbody> </table>											Status	Availability	Normal Mode On, Idle Mode Off, Sleep Out	Yes	Normal Mode On, Idle Mode On, Sleep Out	Yes	Partial Mode On, Idle Mode Off, Sleep Out	N/A	Partial Mode On, Idle Mode On, Sleep Out	N/A	Sleep In	Yes		
Status	Availability																								
Normal Mode On, Idle Mode Off, Sleep Out	Yes																								
Normal Mode On, Idle Mode On, Sleep Out	Yes																								
Partial Mode On, Idle Mode Off, Sleep Out	N/A																								
Partial Mode On, Idle Mode On, Sleep Out	N/A																								
Sleep In	Yes																								
Default	<table border="1"> <thead> <tr> <th rowspan="2">Status</th> <th colspan="2">Default Value</th> </tr> <tr> <th>After OTP</th> <th>Before OTP</th> </tr> </thead> <tbody> <tr> <td>Power On Sequence</td> <td>OTP Value</td> <td>00h</td> </tr> <tr> <td>SW Reset</td> <td>OTP Value</td> <td>00h</td> </tr> <tr> <td>HW Reset</td> <td>OTP Value</td> <td>00h</td> </tr> </tbody> </table>											Status	Default Value		After OTP	Before OTP	Power On Sequence	OTP Value	00h	SW Reset	OTP Value	00h	HW Reset	OTP Value	00h
Status	Default Value																								
	After OTP	Before OTP																							
Power On Sequence	OTP Value	00h																							
SW Reset	OTP Value	00h																							
HW Reset	OTP Value	00h																							
low Chart	<p>The diagram illustrates the RDDDBC (A8h) command sequence. A Host Driver sends the RDDDBC (A8h) command to the display module. The display module returns RDDDBS Data, which consists of D1[7:0], D2[7:0], and so on up to Dn[7:0]. A legend defines the symbols used in the diagram: a rectangle for Command, a parallelogram for Parameter, an oval for Display, an arrow for Action, a rounded rectangle for Mode, and an oval with a tail for Sequential transfer.</p>																								

SETDSIMODE (C200h): Set DSI Mode

C200H	SETDSIMODE											
Instruction	R/W	Address		Parameter								HEX
		MIPI	Other	D15-8	D7	D6	D5	D4	D3	D2	D1	
SETDSIMODE	R/W	C2h	C200h	-	0	0	0	0	RM	0	DM[1:0]	08
Description	This command is used to select display operation mode. When RM/DM register is changed, please follow display mode change sequence.											
	RM	DM	DSI mode	Display Data Path				Display Timing				
								VSYNC	HSYNC			
	X	0	Command Mode	RAM -> Source				Internal	Internal			
	X	1	Reserved	-				-	-			
	X	2	Reserved	-				-	-			
	0	3	Video Mode	Bypass RAM				External	External			
	1	3	Video Mode	RAM -> Source				External	External			
Restriction	<ol style="list-style-type: none"> The change of DSI mode under normal display on is forbidden. If the display data is of VESA compression type, W/R RAM is a must for data decompression. 											
Flow Chart	<pre> graph TD subgraph Host C[SETDSIMODE (C2h)] end subgraph Driver P[/Parameter RM, DM/] M([New DSI Mode]) end C -.-> P P --> M </pre> <p>Legend</p> <ul style="list-style-type: none"> Command: [] Parameter: / / Display: <> Action: <> Mode: () Sequential transfer: () 											

RDID1 (DA00h): Read ID1

DA00H		RDID1																							
Instruction	R/W	Address			Parameter								HEX												
		MIPI	Other	D15-8	D7	D6	D5	D4	D3	D2	D1	D0													
RDID1	R	DAh	DA00h	-	ID1[7:0]								00												
Description	This read byte identifies Module's manufacture ID.																								
Restriction																									
Register Availability	<table border="1"> <thead> <tr> <th>Status</th> <th>Availability</th> </tr> </thead> <tbody> <tr> <td>Normal Mode On, Idle Mode Off, Sleep Out</td> <td>Yes</td> </tr> <tr> <td>Normal Mode On, Idle Mode On, Sleep Out</td> <td>Yes</td> </tr> <tr> <td>Partial Mode On, Idle Mode Off, Sleep Out</td> <td>N/A</td> </tr> <tr> <td>Partial Mode On, Idle Mode On, Sleep Out</td> <td>N/A</td> </tr> <tr> <td>Sleep In</td> <td>Yes</td> </tr> </tbody> </table>											Status	Availability	Normal Mode On, Idle Mode Off, Sleep Out	Yes	Normal Mode On, Idle Mode On, Sleep Out	Yes	Partial Mode On, Idle Mode Off, Sleep Out	N/A	Partial Mode On, Idle Mode On, Sleep Out	N/A	Sleep In	Yes		
Status	Availability																								
Normal Mode On, Idle Mode Off, Sleep Out	Yes																								
Normal Mode On, Idle Mode On, Sleep Out	Yes																								
Partial Mode On, Idle Mode Off, Sleep Out	N/A																								
Partial Mode On, Idle Mode On, Sleep Out	N/A																								
Sleep In	Yes																								
Default	<table border="1"> <thead> <tr> <th rowspan="2">Status</th> <th colspan="2">Default Value</th> </tr> <tr> <th>After OTP</th> <th>Before OTP</th> </tr> </thead> <tbody> <tr> <td>Power On Sequence</td> <td>OTP Value</td> <td>00h</td> </tr> <tr> <td>SW Reset</td> <td>OTP Value</td> <td>00h</td> </tr> <tr> <td>HW Reset</td> <td>OTP Value</td> <td>00h</td> </tr> </tbody> </table>											Status	Default Value		After OTP	Before OTP	Power On Sequence	OTP Value	00h	SW Reset	OTP Value	00h	HW Reset	OTP Value	00h
Status	Default Value																								
	After OTP	Before OTP																							
Power On Sequence	OTP Value	00h																							
SW Reset	OTP Value	00h																							
HW Reset	OTP Value	00h																							
Flow Chart	<p>The flow chart illustrates the communication between the Host and the Driver. The Host sends the command 'RDID1(DAh)' to the Driver. The Driver then sends the parameter 'ID1[7:0]'. A legend defines the symbols used in the flow chart: Command (rectangle), Parameter (parallelogram), Display (oval), Action (arrowhead), Mode (rounded rectangle), and Sequential transfer (oval with tail).</p>																								

RDID2(DB00h) : Read ID2

DB00H		RDID2																							
Instruction	R/W	Address			Parameter								HEX												
		MIPI	Other	D15-8	D7	D6	D5	D4	D3	D2	D1	D0													
RDID2	R	DBh	DB00h	-	ID2[7:0]								80												
Description	This read byte is used to track the Module/driver version. It is changed each time a version is made to the display, material or construction specifications.																								
Restriction	Parameter Range: ID2 = 0x80h to 0xFFh																								
Register Availability	<table border="1"> <thead> <tr> <th>Status</th> <th>Availability</th> </tr> </thead> <tbody> <tr> <td>Normal Mode On, Idle Mode Off, Sleep Out</td> <td>Yes</td> </tr> <tr> <td>Normal Mode On, Idle Mode On, Sleep Out</td> <td>Yes</td> </tr> <tr> <td>Partial Mode On, Idle Mode Off, Sleep Out</td> <td>N/A</td> </tr> <tr> <td>Partial Mode On, Idle Mode On, Sleep Out</td> <td>N/A</td> </tr> <tr> <td>Sleep In</td> <td>Yes</td> </tr> </tbody> </table>											Status	Availability	Normal Mode On, Idle Mode Off, Sleep Out	Yes	Normal Mode On, Idle Mode On, Sleep Out	Yes	Partial Mode On, Idle Mode Off, Sleep Out	N/A	Partial Mode On, Idle Mode On, Sleep Out	N/A	Sleep In	Yes		
Status	Availability																								
Normal Mode On, Idle Mode Off, Sleep Out	Yes																								
Normal Mode On, Idle Mode On, Sleep Out	Yes																								
Partial Mode On, Idle Mode Off, Sleep Out	N/A																								
Partial Mode On, Idle Mode On, Sleep Out	N/A																								
Sleep In	Yes																								
Default	<table border="1"> <thead> <tr> <th rowspan="2">Status</th> <th colspan="2">Default Value</th> </tr> <tr> <th>After OTP</th> <th>Before OTP</th> </tr> </thead> <tbody> <tr> <td>Power On Sequence</td> <td>OTP Value</td> <td>80h</td> </tr> <tr> <td>SW Reset</td> <td>OTP Value</td> <td>80h</td> </tr> <tr> <td>HW Reset</td> <td>OTP Value</td> <td>80h</td> </tr> </tbody> </table>											Status	Default Value		After OTP	Before OTP	Power On Sequence	OTP Value	80h	SW Reset	OTP Value	80h	HW Reset	OTP Value	80h
Status	Default Value																								
	After OTP	Before OTP																							
Power On Sequence	OTP Value	80h																							
SW Reset	OTP Value	80h																							
HW Reset	OTP Value	80h																							
Flow Chart	<pre> sequenceDiagram participant Host participant Driver Host->>Driver: RDID2(DBh) Driver-->>Host: Send Parameter ID2[7:0] </pre> <p>Legend</p> <ul style="list-style-type: none"> Command: Rectangle Parameter: Parallelogram Display: Pointed rectangle (right) Action: Pointed rectangle (left) Mode: Oval Sequential transfer: Oval with arrow 																								

RDID3(DC00h) : Read ID3

DC00H		RDID3																							
Instruction	R/W	Address			Parameter								HEX												
		MIPI	Other	D15-8	D7	D6	D5	D4	D3	D2	D1	D0													
RDID3	R	DCh	DC00h	-	ID3[7:0]								00												
Description	This parameter read byte identifies Module/driver.																								
Restriction																									
Register Availability	<table border="1"> <thead> <tr> <th>Status</th> <th>Availability</th> </tr> </thead> <tbody> <tr> <td>Normal Mode On, Idle Mode Off, Sleep Out</td> <td>Yes</td> </tr> <tr> <td>Normal Mode On, Idle Mode On, Sleep Out</td> <td>Yes</td> </tr> <tr> <td>Partial Mode On, Idle Mode Off, Sleep Out</td> <td>N/A</td> </tr> <tr> <td>Partial Mode On, Idle Mode On, Sleep Out</td> <td>N/A</td> </tr> <tr> <td>Sleep In</td> <td>Yes</td> </tr> </tbody> </table>											Status	Availability	Normal Mode On, Idle Mode Off, Sleep Out	Yes	Normal Mode On, Idle Mode On, Sleep Out	Yes	Partial Mode On, Idle Mode Off, Sleep Out	N/A	Partial Mode On, Idle Mode On, Sleep Out	N/A	Sleep In	Yes		
Status	Availability																								
Normal Mode On, Idle Mode Off, Sleep Out	Yes																								
Normal Mode On, Idle Mode On, Sleep Out	Yes																								
Partial Mode On, Idle Mode Off, Sleep Out	N/A																								
Partial Mode On, Idle Mode On, Sleep Out	N/A																								
Sleep In	Yes																								
Default	<table border="1"> <thead> <tr> <th rowspan="2">Status</th> <th colspan="2">Default Value</th> </tr> <tr> <th>After OTP</th> <th>Before OTP</th> </tr> </thead> <tbody> <tr> <td>Power On Sequence</td> <td>OTP Value</td> <td>00h</td> </tr> <tr> <td>SW Reset</td> <td>OTP Value</td> <td>00h</td> </tr> <tr> <td>HW Reset</td> <td>OTP Value</td> <td>00h</td> </tr> </tbody> </table>											Status	Default Value		After OTP	Before OTP	Power On Sequence	OTP Value	00h	SW Reset	OTP Value	00h	HW Reset	OTP Value	00h
Status	Default Value																								
	After OTP	Before OTP																							
Power On Sequence	OTP Value	00h																							
SW Reset	OTP Value	00h																							
HW Reset	OTP Value	00h																							
Flow Chart	<p>The flow chart illustrates the process of reading the ID3 parameter. A Host sends the RDID3(DCh) command to the Driver. The Driver then sends the parameter ID3[7:0]. A legend defines the symbols used in the flow chart: a rectangle for Command, a parallelogram for Parameter, a rounded rectangle for Display, a chevron for Action, a rounded rectangle for Mode, and a rounded rectangle with a tail for Sequential transfer.</p>																								

VESA(FA00h) : VESA function

FA00H	WRCMDPAGE																							
Instruction	R/W	Address		Parameter									HEX											
		MIPI	Others	D15-8	D7	D6	D5	D4	D3	D2	D1	D0												
CMDPAGESW	W/R	FAh	-	00h	0	0	0	0	0	0	compr_sel[1:0]	1	07h											
Description	This command is VESA function control.																							
	compr_sel[1:0]		Description																					
	2'd0		DSC 1p1																					
	2'd1		Reserved																					
	2'd2		Reserved																					
2'd3		Raydium compression																						
Restriction	-																							
Register Availability	<table border="1"> <thead> <tr> <th>Status</th> <th>Availability</th> </tr> </thead> <tbody> <tr> <td>Normal Mode On, Idle Mode Off, Sleep Out</td> <td>Yes</td> </tr> <tr> <td>Normal Mode On, Idle Mode On, Sleep Out</td> <td>Yes</td> </tr> <tr> <td>Partial Mode On, Idle Mode Off, Sleep Out</td> <td>N/A</td> </tr> <tr> <td>Partial Mode On, Idle Mode On, Sleep Out</td> <td>N/A</td> </tr> <tr> <td>Sleep In</td> <td>Yes</td> </tr> </tbody> </table>												Status	Availability	Normal Mode On, Idle Mode Off, Sleep Out	Yes	Normal Mode On, Idle Mode On, Sleep Out	Yes	Partial Mode On, Idle Mode Off, Sleep Out	N/A	Partial Mode On, Idle Mode On, Sleep Out	N/A	Sleep In	Yes
	Status	Availability																						
	Normal Mode On, Idle Mode Off, Sleep Out	Yes																						
	Normal Mode On, Idle Mode On, Sleep Out	Yes																						
	Partial Mode On, Idle Mode Off, Sleep Out	N/A																						
	Partial Mode On, Idle Mode On, Sleep Out	N/A																						
Sleep In	Yes																							
Default	<table border="1"> <thead> <tr> <th rowspan="2">Status</th> <th>Default Value</th> </tr> <tr> <th>FAh / FA00h</th> </tr> </thead> <tbody> <tr> <td>Power On Sequence</td> <td>00h</td> </tr> <tr> <td>S/W Reset</td> <td>00h</td> </tr> <tr> <td>H/W Reset</td> <td>00h</td> </tr> </tbody> </table>												Status	Default Value	FAh / FA00h	Power On Sequence	00h	S/W Reset	00h	H/W Reset	00h			
	Status	Default Value																						
		FAh / FA00h																						
	Power On Sequence	00h																						
S/W Reset	00h																							
H/W Reset	00h																							

WRCMDPAGE (FE00h): Write CMD Page

FE00H	WRCMDPAGE												
Instruction	R/W	Address			Parameter								HEX
		MIPI	Others	D15-8	D7	D6	D5	D4	D3	D2	D1	D0	
CMDPAGESW	W/R	FEh	-	00h	CMD_PG_SEL[7:0]								00
Description	This command is used to set the command page that the driver will use.												
			CMD_PG_SEL[7:0]	Command Page	Description								
			8'h00	UCS	User Command Set								
			8'h40	MCS Page-0	General Power and Display								
			8'h50	MCS Page-1	Gamma Set – 1								
			8'h60	MCS Page-2	GOA								
			8'h52	MCS Page-6	Gamma Set – 2								
			8'h54	MCS Page-7	Gamma Set – 3								
			8'h20	MCS Page-10	Demura1								
			8'h72	MCS Page-11	BC								
			8'hC2	MCS page-CID	Customer ID								
		8hD2	MCS Page-D2	Demura2									
Restriction	-												
Register Availability			Status					Availability					
			Normal Mode On, Idle Mode Off, Sleep Out					Yes					
			Normal Mode On, Idle Mode On, Sleep Out					Yes					
			Partial Mode On, Idle Mode Off, Sleep Out					N/A					
			Partial Mode On, Idle Mode On, Sleep Out					N/A					
			Sleep In					Yes					
Default			Status				Default Value						
							FEh / FE00h						
			Power On Sequence				00h						
			S/W Reset				00h						
		H/W Reset				00h							

RDCMDPAGE (FF00h): Read CMD Page

FF00H	RDCMDPAGE												
Instruction	R/W	Address			Parameter								HEX
		MIPI	Others	D15-8	D7	D6	D5	D4	D3	D2	D1	D0	
RDCMDPAGE	R	FFh	-	00h	CMD_PG_SEL[7:0]								00
Description	This command is used to read the command page that the driver is now in use.												
	CMD_PG_SEL[7:0]		Command Page			Description							
	8'h00		UCS			User Command Set							
	8'h40		MCS Page-0			General Power and Display							
	8'h50		MCS Page-1			Gamma Set – 1							
	8'h60		MCS Page-2			GOA							
	8'h52		MCS Page-6			Gamma Set – 2							
	8'h54		MCS Page-7			Gamma Set – 3							
	8'h20		MCS Page-10			Demura1							
	8'h72		MCS Page-11			BC							
	8'hC2		MCS page-CID			Customer ID							
8hD2		MCS Page-D2			Demura2								
Restriction	-												
Default			Status			Default Value							
						FFh / FF00h							
			Power On Sequence			00h							
			S/W Reset			00h							
			H/W Reset			00h							

7. Electrical Characteristics

7.1 Absolute Maximum Ratings

The absolute maximum rating is listed on following table. When device is operated beyond the absolute maximum ratings specified in this table, it may be permanently damaged. It is strongly recommended to use this device within the specified limits for normal operation. If these electrical characteristic conditions are exceeded during normal operation, this driver IC will malfunction and cause poor reliability.

Item	Symbol	Value	Unit
Power Supply Voltage – (I)	VCC, VDDI, VDDAM	6.6	V
Power Supply Voltage –(II)	VDDA, VDDDB, VDDR	6.6	V
Power Supply Voltage –(III)	AVDD-AVSS	8.8	V
	AVEE-AVSS	-6.6	V
Supply voltage (HV)	VGH – VGL	33	V
MIPI Differential Input	HSSI_CLK_P/N_A / HSSI_CLK_P/N_B HSSI_D0_P/N_A / HSSI_D0_P/N_B HSSI_D1_P/N_A / HSSI_D1_P/N_B HSSI_D2_P/N_A / HSSI_D2_P/N_B HSSI_D3_P/N_A / HSSI_D3_P/N_B	1.5	V
Input Voltage of Interface	Vin	-0.3 ~ VDDI + 0.3	V
Output Voltage of Interface	Vo	-0.3 ~ VDDI + 0.3	V
Operating temperature	Topr	-40 ~ 85	°C
Storage temperature	Tstg	-55 ~ 125	°C

7.2 ESD Protection Level

Model	Test Condition	Level
Human Body Mode	R = 1.5 kohm / C = 100 pF	≥ 2KV
Machine Mode	R = 0 ohm / C = 200 pF	≥ 200V

7.3 Latch-Up Protection Level

The device will not latch up at trigger current levels less than ±200mA.

7.4 Max Series Resistance

The driver will operate in “Chip on Glass” applications with series resistances (due to ITO track resistance). Voltages are specified at module I/O assuming maximum values as in below table.

Name	Type	Maximum Series Resistance	Unit
VDDI	Power supply	5	Ω
VDDA, VDDDB, VDDR	Power supply	3	Ω
VCC, VDDAM	Power supply	3	Ω
DVDD, MVDVA1, MVDVA2	Power supply	3	Ω
AVDD	Power supply	3	Ω
VSSI	Power supply	5	Ω
DVSS	Power supply	3	Ω
VSSA, VSSB, VSSR, AVSS	Power supply	3	Ω
VSSAM	Power supply	3	Ω
PSWAP_A, PSWAP_B DSWAP_A[1:0], DSWAP_B[1:0] PNSLV DB_MODE[2:0] IM[1:0], BSTM IM_PORT_AB	Input	100	Ω
RESX	Input	50	Ω
SDI_RDX, WRX_SCL	I2C	30	Ω
AVDD_EN, SWIRE TE, TE1 PCD, ERR_FG	Output	20	Ω
TEST[1]_F_CSB, TEST[2]_F_SCLK TEST[3]_F_SDI, TEST[4]_F_SDO TEST[5]_F_HOLDN TEST[6]_F_WPN TEST[7]_F_DISS	Flash Pin	10	Ω
HSSI_CLK_P/N_A, HSSI_CLK_P/N_B HSSI_D0_P/N_A, HSSI_D0_P/N_B HSSI_D1_P/N_A, HSSI_D1_P/N_B HSSI_D2_P/N_A, HSSI_D2_P/N_B HSSI_D3_P/N_A, HSSI_D3_P/N_B	Input	5	Ω
VGMP, VGSP	Regulator Output	5	Ω
VREP/VREFN/VREF	Regulator Output	5	Ω
VGH/VGL VGHR/VGLR	Charge Pump Regulator Output	5	Ω
OVDD_INT/OVSS_INT	Regulator Output	2	Ω
C21P/N, C22P/N C31P/N, C32P/N C41P/N, C42P/N C51P/N, C52P/N	Capacitor Connection	5	Ω
AVEE, VCL	Charge Pump	5	Ω
MTP_PWR	Power supply	5	Ω

Note : The impedance matching among MIPI interface I/O is very critical for high-speed data receiving.

7.5 DC Characteristics

Parameter	Symbol	Condition	Min.	Typ.	Max.	Unit
Analog Power Supply	VCI		2.7	3.0	3.6	V
AVDD Input Level	AVDD		4.5		8.0	V
Digital I/O Power Supply (non-MIPI I/O)	VDDI	Digital I/O supply voltage	1.62	1.8	1.98	V
Digital I/O Input Level @Logic High	VIH	VDDI = 1.62V ~ 1.98	0.7* VDDI	-	VDDI	V
Digital I/O Input Level @Logic Low	VIL	VDDI = 1.62V ~ 1.98V	0.0	-	0.3* VDDI	V
Digital I/O Output Level @Logic High	VOH	Iout = -1 mA	0.8* VDDI	-	VDDI	V
Digital I/O Output Level @Logic Low	VOL	Iout = +1 mA	0.0	-	0.2* VDDI	V
Digital I/O Input leakage @ Logic High	IIHD	Vin = VDDI			1	uA
Digital I/O Input Leakage @Logic Low	IILD	Vin = 0	-1			uA
MIPI I/O Power Supply	MVDDL	MIPI I/O supply voltage	-	1.2	-	V
MIPI Input leakage @Logic High	IIHD	Vin = MVDDL			1	uA
MIPI Input leakage @Logic Low	IILD	Vin = 0	-1			uA
AVEE booster voltage	AVEE	AVEE = -1*AVDD	-6.5		-4.5	V
VCL booster voltage	VCL	VCL = -1*VCI	-	-2.5	-	V
VGH booster voltage	VGH				2*AVDD - AVEE	V
VGL booster voltage	VGL		2*AVEE - AVDD			V
Maximum voltage between VGH and VGL	VGHL	VGH-VGL			30	V
Panel Reference Voltage	VREFP	VREFP=VREFPO	0.2		AVDD-0.3	V
	VREFN	VREFN=VREFNO	AVEE+0.3		-0.2	V
GOA Output Voltage	VGHR	VGHR=VGLO	3		VGH-0.5V	V
	VGLR	VGLR=VGLO	VGL+0.5V		-3	V
Gamma Reference Voltage	VGMP		2.0		AVDD-0.3	V
	VGSP		0.3		5.0	V
Source Output Offset (chip to chip)	V _{OFFSET}			TBD		mV
Source Output Deviation (channel to channel)	V _{DEV,POS}	Sout ≥ AVDD-1.0V, and 0V < Sout ≤ 1.0V		TBD		mV
		1.0V < Sout < AVDD-1.0V		TBD		mV
OTP Power Supply	MTP_PWR	OTP Programming Supply Voltage	5.75	6	6.25	V

7.6 DSI Timing Characteristics

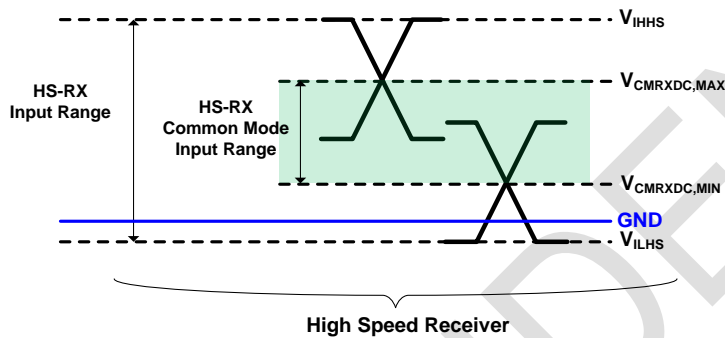
7.6.1 Receiver Characteristics

■ High-Speed Receiver

The differential input high and low threshold voltages of the HS receiver are denoted by V_{IDTH} and V_{IDTL} , respectively. V_{ILHS} and V_{IHHS} are the single-ended, input low and input high voltages, respectively. V_{CMRXDC} is the differential input common-mode voltage. The HS receiver shall be able to detect differential signals at its DP and DN input signal pins when both signal voltages, V_{DP} and V_{DN} , are within the common-mode voltage range and if the voltage difference of V_{DP} and V_{DN} exceeds either V_{IDTH} or V_{IDTL} . The High-Speed receiver shall receive High-Speed data correctly while rejecting common-mode interference $\Delta V_{CMRX(HF)}$ and $\Delta V_{CMRX(LF)}$.

During operation of the HS receiver, termination impedance Z_{ID} is required between the DP and DN pins of the HS receiver. Z_{ID} shall be disabled when the module is not in the HS receive mode.

C_{CM} is the common-mode AC termination, which ensures a proper termination of the receiver at higher frequencies. For higher data rates, C_{CM} is needed at the termination centre tap in order to meet the common-mode reflection requirements.



HS Receiver Specifications

Parameter	Description	Min	Nom	Max	Units	Note
V_{CMRXDC}	Common-mode voltage for HS receiver	70		330	mV	1,2
V_{IDTH}	Differential input high threshold			70	mV	
V_{IDTL}	Differential input low threshold	-70			mV	
V_{IHHS}	Single-ended input high voltage			460	mV	1
V_{ILHS}	Single-ended input low voltage	-40			mV	1
Z_{ID}	Differential input impedance	80	100	125	Ω	
C_{CM}	Common-mode termination			60	pF	3

Notes:

1. Excluding possible additional RF interference of 100mV peak sine wave beyond 450MHz.
2. Values in this table include a ground difference of 50mV between the transmitter and the receiver, the static common-mode level tolerance and variations below 450MHz
3. For higher bit rates a 14pF capacitor will be needed to meet the common-mode return loss specification.
4. Voltage difference compared to the DC average common-mode potential.

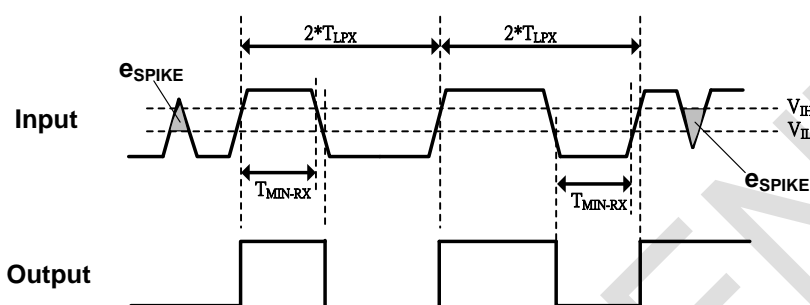
Low-Power Receiver

The Low-Power receiver is an un-terminated, single-ended receiver circuit. The LP receiver is used to detect the Low-Power state on each pin.

The input low-level voltage, V_{IL} , is the voltage at which the receiver is required to detect a low state in the input signal. A lower input voltage, $V_{IL-ULPS}$, may be used when the receiver is in the Ultra-Low Power State. V_{IL} is larger than the maximum single-ended Line voltage during HS signaling. Therefore, a LP receiver shall detect low during HS signaling.

The input high-level voltage, V_{IH} , is the voltage at which the receiver is required to detect a high state in the input signal. In order to reduce noise sensitivity on the received signal, an LP receiver shall incorporate a hysteresis, defined as V_{HYST} .

The LP receiver shall reject any input signal smaller than e_{SPIKE} . Signal pulses wider than T_{MIN-RX} shall propagate through the LP receiver.



Low-Power Receiver Specifications

Parameter	Description	Min	Nom	Max	Units	Note
V_{IH}	Logic 1 input voltage	880			mV	
V_{IL}	Logic 0 input voltage, not in ULP State			550	mV	
$V_{IL-ULPS}$	Logic 0 input voltage, ULP State			300	mV	
V_{HYST}	Input hysteresis	25			mV	
e_{SPIKE}	Input pulse rejection			300	V*ps	1
T_{MIN-RX}	Minimum pulse width response	20			ns	

Notes:

1. Time-voltage integration of a spike above V_{IL} when being in LP-0 state or below V_{IH} when being in LP-1 state. An impulse less than this will not change the receiver state. An input pulse greater than this shall toggle the output.

7.6.2 Transmitter Characteristics

The Low-Power transmitter shall be a slew-rate controlled push-pull driver. It is used for driving the Lines in all Low-Power operating modes. It is therefore important that the static power consumption of a LP transmitter be as low as possible. The slew-rate of signal transitions is bounded in order to keep EMI low.

Low-Power Transceiver Specifications

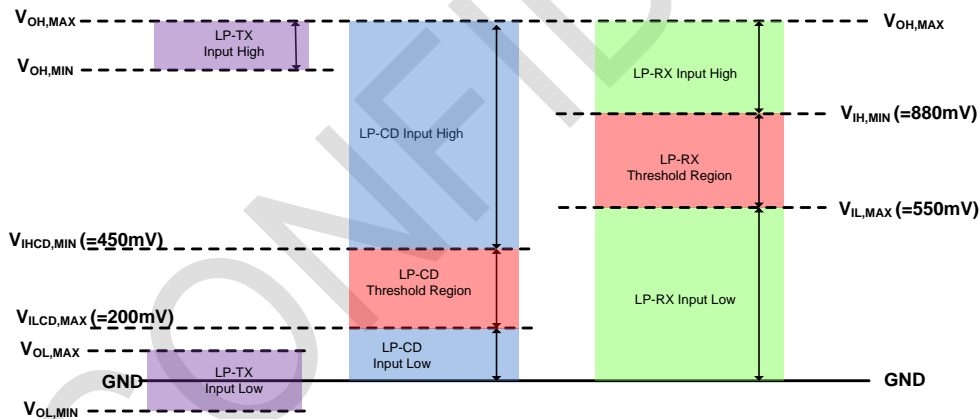
Parameter	Description	Min	Nom	Max	Units	Note
V_{OH}	Thevenin output high level	1.1	1.2	1.3	V	
V_{OL}	Thevenin output low level	-50		50	mV	
Z_{OLP}	Output impedance of LP transmitter	110			Ω	

Notes:

- (1) Time-voltage integration of a spike above V_{IL} when being in LP-0 state or below V_{IH} when being in LP-1 state an impulse less than this will not change the receiver state.
- (2) In addition to the required glitch rejection, implementers shall ensure rejection of known RF-interferers. Input Glitch Rejection of Low Power Receivers as follow.

Line Contention Detection

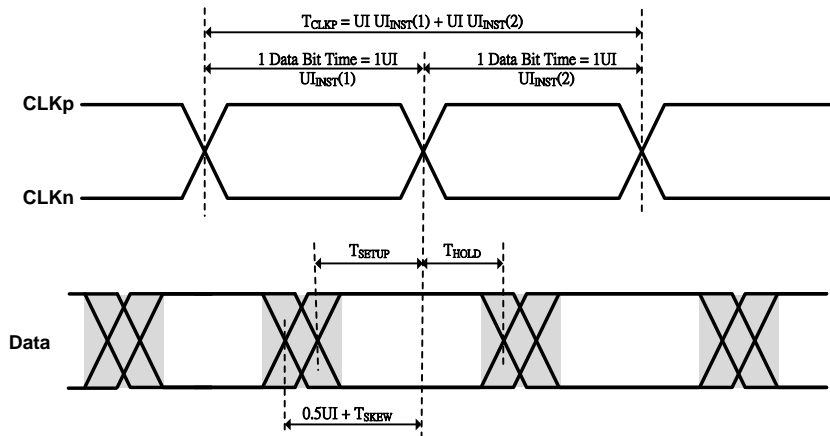
The Low-Power receiver and a separate Contention Detector (LP-CD) shall be used in a bi-directional Data Lane to monitor the line voltage on each Low-Power signal. This is required to detect line contention. The LP-CD shall be used to detect an LP low fault when the LP transmitter is driving low and the pin voltage is greater than V_{IHCD} . An LP low fault shall not be detected when the pin voltage is less than V_{ILCD} . The LP-CD threshold voltages are shown along with the normal signaling voltages in the following figure.



Contention Detector (LP-CD) DC Specifications

Parameter	Description	Min	Nom	Max	Units	Note
V_{IHCD}	Logic 1 contention threshold	450			mV	
V_{ILCD}	Logic 0 contention threshold			200	mV	

■ Data to Clock Timing Definitions



■ Data-Clock Timing Specifications:

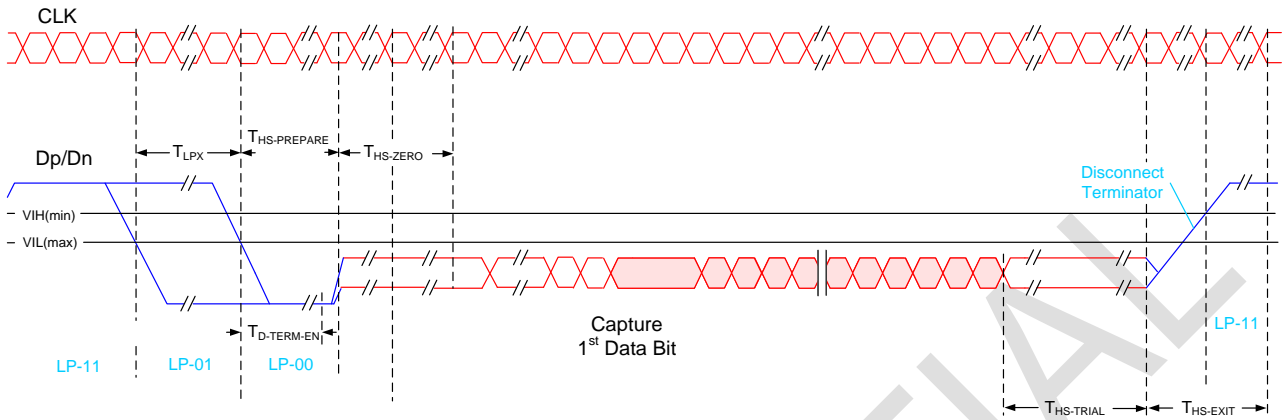
Parameter	Symbol	Min	Typ	Max	Units	Notes
UI instantaneous	UIINST	1		12.5	ns	1,2
Data-to-Clock Skew	T _{SKEW}	-0.15		0.15	UIINST	3
Data-to-Clock Setup Time (Receiver side)	T _{SETUP}	0.15			UIINST	4
Clock-to-Data Hold Time (Receiver side)]	T _{HOLD}	0.15			UIINST	4

Notes:

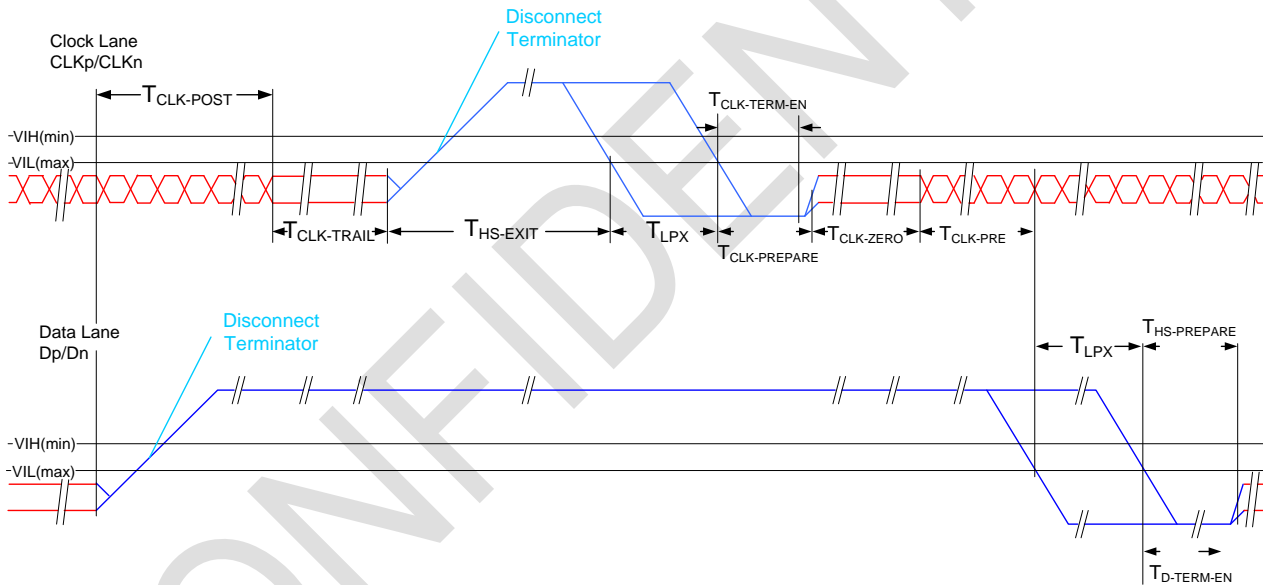
1. This value corresponds to a minimum 80 Mbps data rate.
2. The minimum UI shall not be violated for any single bit period, i.e., any DDR half cycle within a data burst.
3. Total silicon and package delay budget of $0.3 \cdot UI_{INST}$
4. Total setup and hold window for receiver of $0.3 \cdot UI_{INST}$

7.6.3 DSI Timing Specification

■ HS Data Transmission Burst



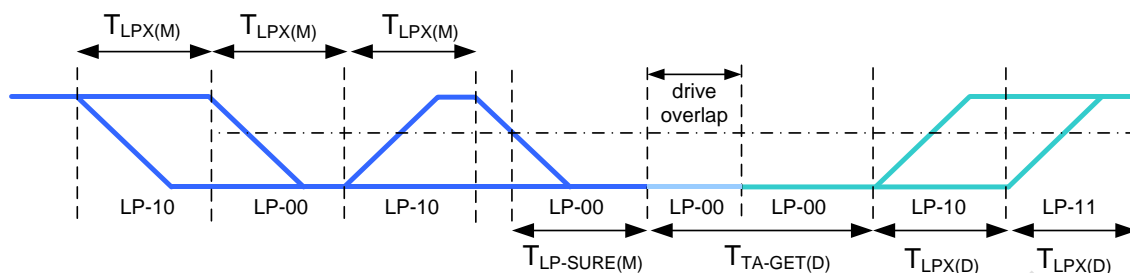
■ HS clock transmission



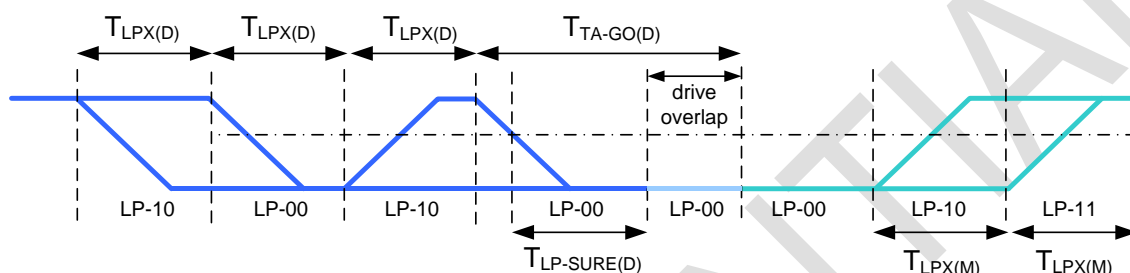
■ Timing Specifications for HS Transmission:

Parameter	Description	Min	Typ	Max	Unit
$T_{CLK-POST}$	Time that the transmitter continues to send HS clock after the last associated Data Lane has transitioned to LP Mode. Interval is defined as the period from the end of $T_{HS-TRAIL}$ to the beginning of $T_{CLK-TRAIL}$.	$60ns + 52*UI$			ns
$T_{CLK-TRAIL}$	Time that the transmitter drives the HS-0 state after the last payload clock bit of a HS transmission burst.	60			ns
$T_{HS-EXIT}$	Time that the transmitter drives LP-11 following a HS burst.	300			ns
$T_{CLK-TERM-EN}$	Time for the Clock Lane receiver to enable the HS line termination, starting from the time point when Dn crosses $V_{IL,MAX}$.	-		38	ns
$T_{CLK-PREPARE}$	Time that the transmitter drives the Clock Lane LP-00 Line state immediately before the HS-0 Line state starting the HS transmission.	38		95	ns
$T_{CLK-PRE}$	Time that the HS clock shall be driven by the transmitter prior to any associated Data Lane beginning the transition from LP to HS mode.	8			UI
$T_{CLK-PREPARE} + T_{CLK-ZERO}$	$T_{CLK-PREPARE}$ + time that the transmitter drives the HS-0 state prior to starting the Clock.	300			ns
$T_{D-TERM-EN}$	Time for the Data Lane receiver to enable the HS line termination, starting from the time point when Dn crosses $V_{IL,MAX}$.	-		$35 ns + 4*UI$	
$T_{HS-PREPARE}$	Time that the transmitter drives the Data Lane LP-00 Line state immediately before the HS-0 Line state starting the HS transmission	$40ns + 4*UI$		$85 ns + 6*UI$	ns
$T_{HS-PREPARE} + T_{HS-ZERO}$	$T_{HS-PREPARE}$ + time that the transmitter drives the HS-0 state prior to transmitting the Sync sequence.	$145ns + 10*UI$			ns
$T_{HS-TRAIL}$	Time that the transmitter drives the flipped differential state after last payload data bit of a HS transmission burst	$60ns + 4*UI$			ns
$T_{AB-SKEW}$	Timing Skew between Port A and Port B			100	ns

■ Bus Turnaround Procedure (From MPU to display module)



Bus turnaround (BAT) timing



Bus turnaround (BAT) from display module to MPU timing

■ Timing Specifications for Low Power Transmission:

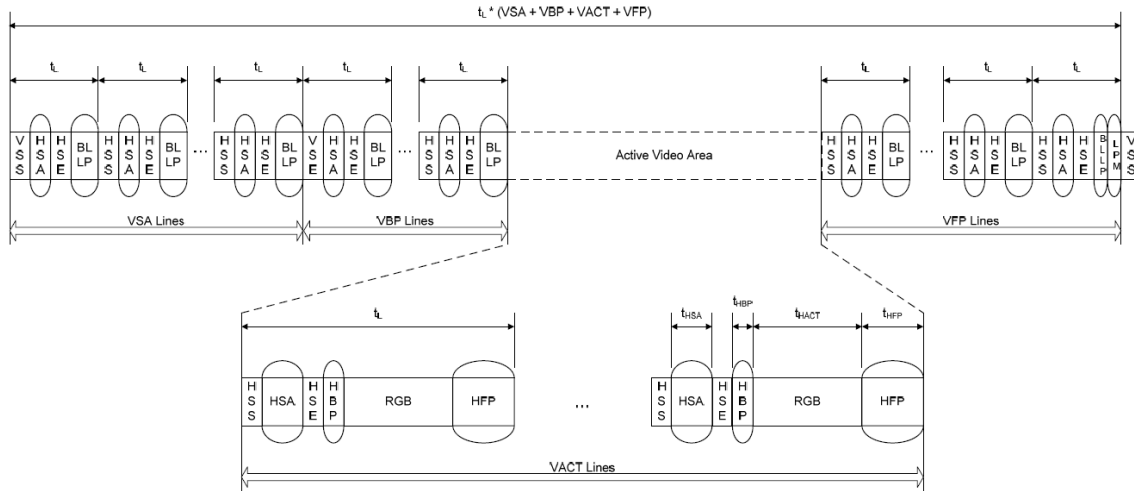
Parameter	Description	Min	Typ	Max	Unit	Notes
$T_{LPX(M)}$	Transmitted length of any Low-Power state period of MCU to display module	50		150	ns	1,2
$T_{TA-SURE(M)}$	Time that the display module waits after the LP-10 state before transmitting the Bridge state (LP-00) during a Link Turnaround.	$T_{LPX(M)}$		$2 * T_{LPX(M)}$	ns	2
$T_{LPX(D)}$	Transmitted length of any Low-Power state period of display module to MCU	50		150	ns	1,2
$T_{TA-GET(D)}$	Time that the display module drives the Bridge state (LP-00) after accepting control during a Link Turnaround.		$5 * T_{LPX(D)}$		ns	2
$T_{TA-GO(D)}$	Time that the display module drives the Bridge state (LP-00) before releasing control during a Link Turnaround.		$4 * T_{LPX(D)}$		ns	2
$T_{TA-SURE(D)}$	Time that the MPU waits after the LP-10 state before transmitting the Bridge state (LP-00) during a Link Turnaround.	$T_{LPX(D)}$		$2 * T_{LPX(D)}$	ns	2

Notes:

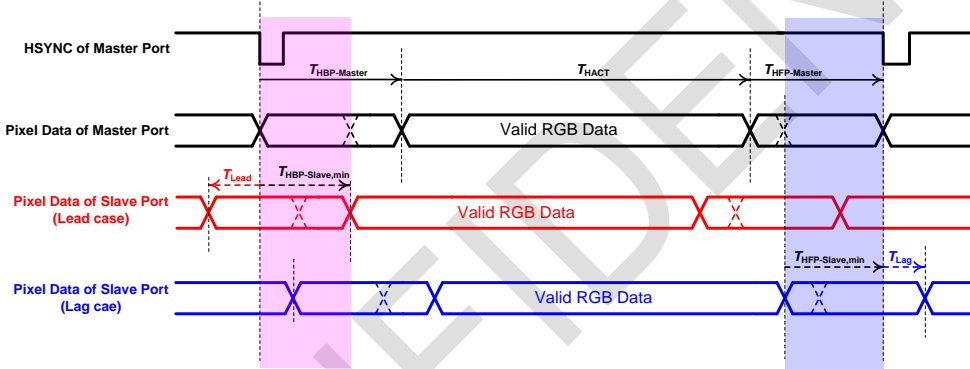
- T_{LPX} is an internal state machine timing reference. Externally measured values may differ slightly from the specified values due to asymmetrical rise and fall times.
- Transmitter-specific parameter

7.6.4 Video Mode Interface Timing Specification

DSI Video Mode Interface Timing



Data Transmission of Dual MIPI-DSI ports



■ Timing specification of Video Mode Data Transmission

Symbol	Parameter	Condition	Min	Typ	Max	Units
BRPHY	Bit rate total on all Lanes		250	-	1000	Mbps
T _{LINE}	Line time	WQXGA/WQHD	-	6.47, note1	-	us
T _{HBP}	Horizontal back porch	-	0.5	-	-	us
T _{HACT}	Time for image data	WQXGA (8 data lanes)	4.8, note3	-	19.2	us
T _{HACT}	Active pixel per line	WQXGA	-	1600	-	pixels
T _{HFP}	Horizontal front porch	-	0.5	-	-	us
VSA	Vertical sync active	-	1	-	-	H
VBP	Vertical back porch	-	-	8, note2	-	H
VACT	Active lines per frame	-	-	2560	-	H
VFP	Vertical front porch	-	note4	8, note2	-	H

Notes

1. Frame rate (Typ)=60Hz, VBP=8, and VFP=8.
2. VBP and VFP value depends on GOA timing.
3. For WQXGA(1600 pixels), t_{HACT}=24*1600/8GHz=4.8us
4. For IIX demura, the VFP must be ≥ Dummy DE Line. Hence that for resolution 2992, VFP must be ≥ 16H.
5. The restriction of Thbp+Thfp ≥1us is for each line return LP. If no return LP, the Thbp(min)= 0.1us and Thfp(min)=0.15us

HD (720x1280) Video Mode Timing Table

Symbol	Parameter	Condition	Min	Typ	Max	Units
BRPHY	Bit rate total on all Lanes		250	-	1000	Mbps
T _{LINE}	Line time	HD	-	12.86, note1	-	us
T _{HBP}	Horizontal back porch	-	0.5, note4	-	-	us
T _{HACT}	Time for image data	HD (2 data lanes) HD (3 data lanes) HD (4 data lanes)	8.64, note3 5.76 4.32	-	-	us
T _{HACT}	Active pixel per line	WQXGA	-	720	-	pixels
T _{HFP}	Horizontal front porch	-	0.5, note4	-	-	us
VSA	Vertical sync active	-	1	-	-	H
VBP	Vertical back porch	-	-	8, note2	-	H
VACT	Active lines per frame	-	-	1280	-	H
VFP	Vertical front porch	-	-	8, note2	-	H

Notes

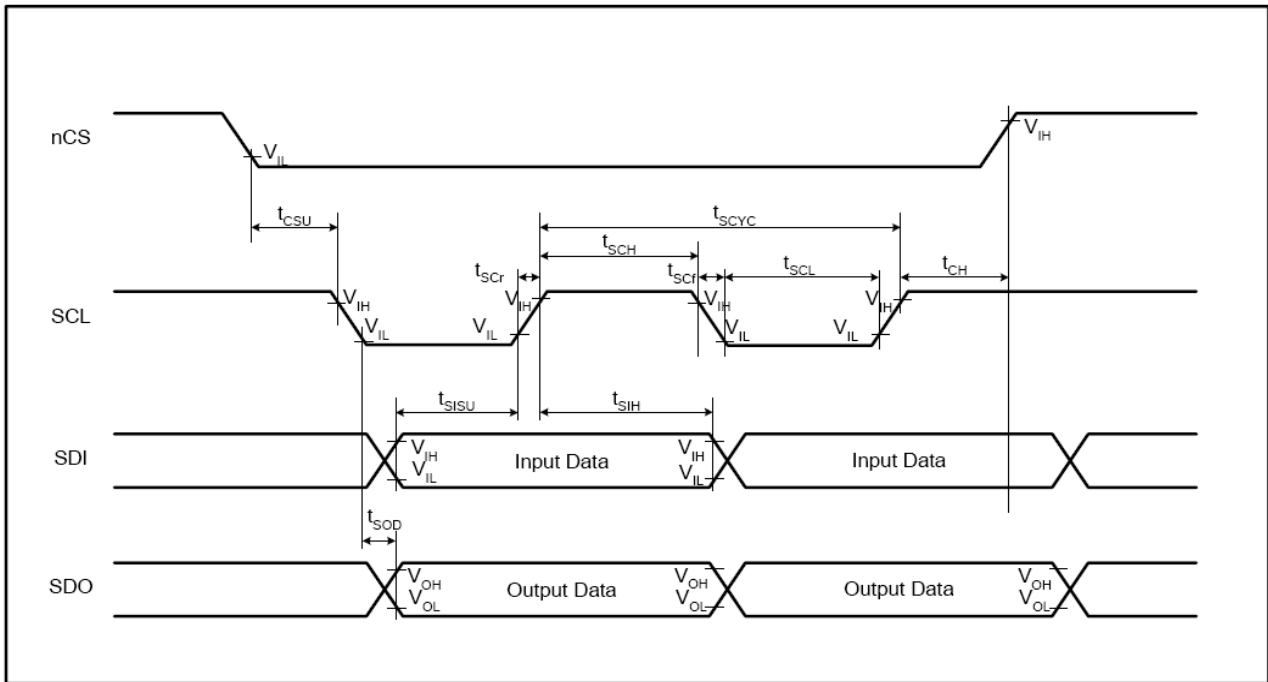
1. Frame rate (Typ)=60Hz, VBP=8, and VFP=8. T_{LINE} = 1/60/(1280+8+8)= 12.86us
2. VBP and VFP value depends on GOA timing.
3. For HD, T_{HACT}=24*720/2GHz=8.64us for 2 data lanes
4. Each line return LP, min. HBP= 0.5us, HFP= 0.5us
5. The restriction of Thbp+Thfp ≥1us is for each line return LP. If no return LP, the Thbp(min)= 0.1us and Thfp(min)=0.15us

FHD (1080x1920) Video Mode Timing Table

Symbol	Parameter	Condition	Min	Typ	Max	Units
BRPHY	Bit rate total on all Lanes		250	-	1000	Mbps
T _{LINE}	Line time	FHD	-	8.609	-	us
T _{HBP}	Horizontal back porch	-	0.5	-	-	us
T _{HACT}	Time for image data	FHD (4 data lanes)	6.48	-	-	us
T _{HACT}	Active pixel per line	-	-	1080	-	pixels
T _{HFP}	Horizontal front porch	-	0.5	-	-	us
VSA	Vertical sync active	-	1	-	-	H
VBP	Vertical back porch	-	-	8	-	H
VACT	Active lines per frame	-	-	1920	-	H
VFP	Vertical front porch	-	-	8	-	H

CONFIDENTIAL

7.7 SPI Timing Characteristics



Signal	Symbol	Parameter	MIN	MAX	Unit	Description
SCL	T _{SCYC}	Clock cycle (Write)	100		ns	-
	T _{SCYC}	Clock cycle (Read)	300		ns	
	T _{SCH}	Clock "H" pulse width (Write)	40		ns	
	T _{SCH}	Clock "H" pulse width (Read)	140		ns	
	T _{SCL}	Clock "L" pulse width (Write)	40		ns	
	T _{SCL}	Clock "L" pulse width (Read)	140		ns	
	T _{SCR}	Clock rise time		5	ns	
	T _{SCF}	Clock fall time		5	ns	
nCS	T _{CSU}	Chip select setup time	20		ns	-
	T _{CH}	Chip select hold time	50		ns	
SDI	T _{SISU}	Data input setup time	20		ns	-
	T _{SIH}	Data input hold time	20		ns	
SDO	T _{SOD}	Data output setup time		120	ns	-
	T _{SOH}	Data output hold time	5		ns	

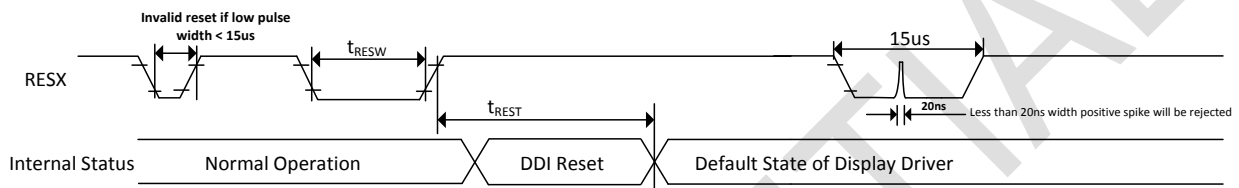
Notes:

- (1) Logic high and low levels are specified as 20% and 80% of VDDI for Input signals.
- (2) Ta = -40°C to 85°C, VDDI=1.62V to 1.98V, VCI=2.5V to 3.6V, GND=0V

7.8 Reset Timing Characteristics

If Reset starts in Sleep-Out mode the display driver will enter blanking sequence with maximum time 120 msec. On the other hand, the display driver will remain in blanking state if Reset occurs in Sleep-In mode and then return to IC's default state soon after H/W reset. "Spike Rejection" also applies during a valid reset pulse as shown below.

During reset complete time (t_{REST}), data in MTP will be re-loaded and latched to internal registers. This data re-load is done every time when there is an H/W reset and completes within 10ms after the rising edge of RESX. Therefore, it is necessary to wait at least 10ms after releasing RESX before sending commands. Also, the rising edge of RESX to Sleep-Out command should be longer than 120msec.



Reset timing @VDDI=1.62V to 1.98V, VSSA=DVSS=VSSI=0V, Ta=-40°C to 85°C

Symbol	Parameter	MIN	TYP	MAX	Note	Unit
t_{RESW}	Reset low pulse width	15	-	-	1. Shorter than 5us, Reset rejected 2. Longer than 15μs, IC reset 3. Between 5μs and 15μs, It depends on voltage and temperature condition.	μs
t_{REST}	Reset complete time	-	-	10	When reset applied at sleep-in mode	ms
		-	-	120	When reset applied at sleep-out mode	ms

8. Power Structure and On/Off Sequence

8.1 Power Mode Summary

■ BSTM Control

BSTM	Power Mode	Note
0	Reserved	Reserved
1	2-power mode (VDDI + VCI) + Power IC	External component: Power IC + flying capacitors

■ Timing Specification of Power On/Off Sequence

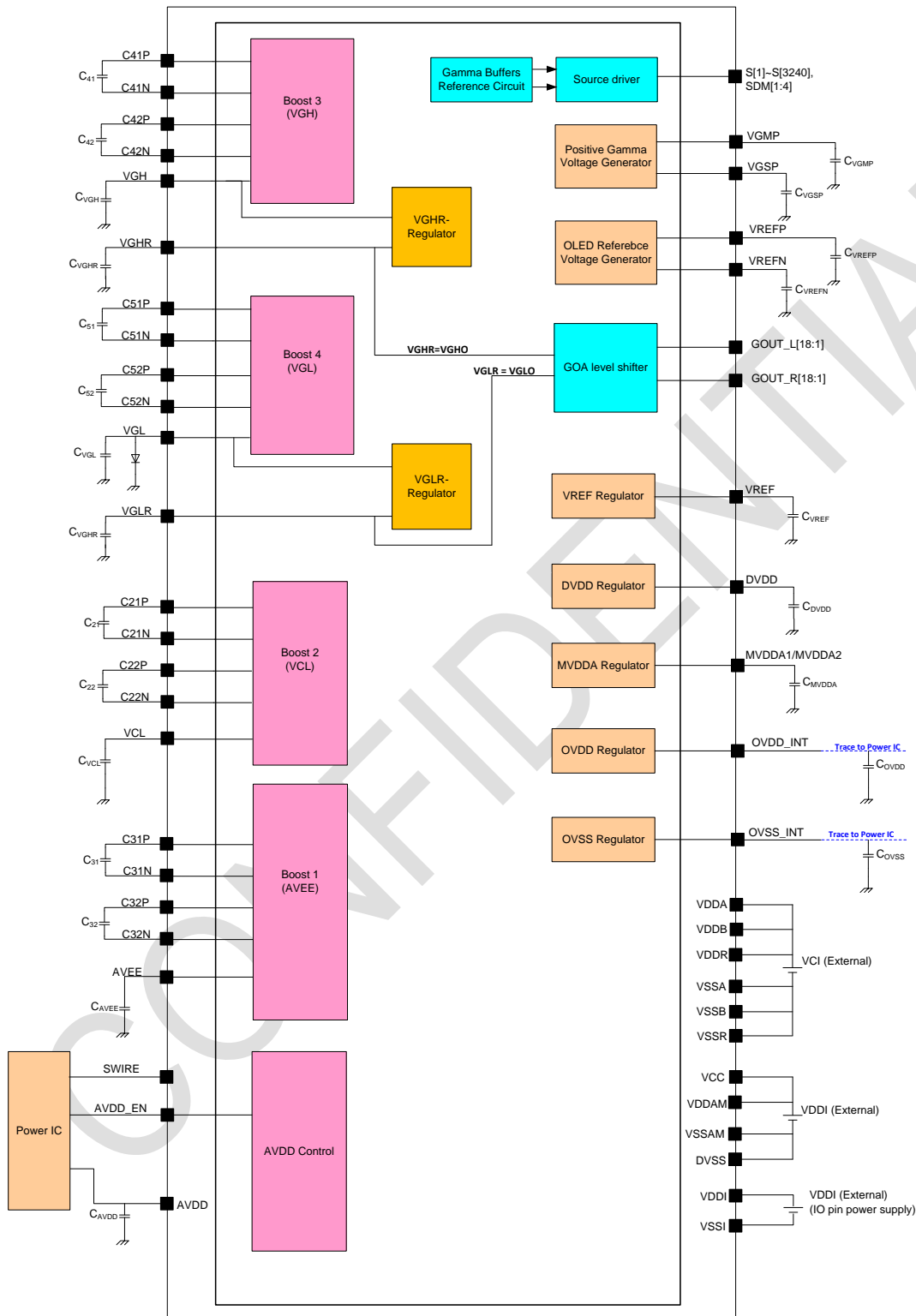
Symbol	Value			Unit	Remark
	Min.	Typ.	Max.		
TON2	2	-	-	ms	
T2	1	-	-	ms	MIPI stabilization time
T3	1	-	-	ms	Effective hardware reset period
T4	10	-	-	ms	OTP reload time
T6	0	-	-	ms	Initial code input finish to SLPOUT command input
T7	-	96	-	ms	Normal power-up sequence
T9	2	-	-	VS	Display-On Blanking region
T10	2	-	-	VS	Display-Off blanking region
T11	1	-	-	VS	Blanking region
T12	1	-	-	ms	Effective hardware reset period
T13	2	-	-	ms	Power off period

Notes:

(1) VS means the time period of a complete display frame and are approximately 16ms if internal display timing is used.

8.3 Application Circuit for 2-Power Mode

Application Circuit



■ Recommended External Component

No.	Signal name	Values	Max ability	Note
1	VDDA, VDDR, VDDB	Cap , 2.2uF	6.3V	
2	VDDI, VCC, VDDAM	Cap , 2.2uF	6.3V	
3	AVDD	Cap , 2.2uF	10V	
4	DVDD	Cap , 4.7uF	6.3V	
5	MVDDA	Cap , 4.7uF	6.3V	
6	VREF	Cap , 22nF	6.3V	
7	VREFN	Cap , 2.2uF	10V	
8	VREFP	Cap , 2.2uF	10V	
9	VGMP	Cap , 1.0uF	10V	
10	VGSP	Cap , 1.0uF	10V	
11	C21P-C21N	Cap , 1.0uF	6.3V	VCL-pump
12	C22P-C22N	Cap , 1.0uF	6.3V	
13	VCL	Cap , 2.2uF	6.3V	
14	C31P-C31N	Cap , 1.0uF	10V	AVEE-pump
15	C32P-C32N	Cap , 1.0uF	10V	
16	AVEE	Cap , 2.2uF	10V	
17	C41P-C41N	Cap , 1.0uF	16V	VGH-pump
18	C42P-C42N	Cap , 1.0uF	16V	
19	VGH	Cap , 2.2uF	25V	
20	VGHR	Cap , 1.0uF	25V	
21	C51P-C51N	Cap , 1.0uF	16V	VGL-pump
22	C52P-C52N	Cap , 1.0uF	16V	
23	VGL	Cap , 2.2uF	25V	
24	VGLR	Cap , 1.0uF	25V	
25	VGL-GND	Schottky Diode		
26	OVDD_INT	Cap , 4.7uF	10V	On FPC for AOD
27	OVSS_INT	Cap , 4.7uF	10V	On FPC for AOD

Notes:

1. There are totally 26 capacitors and 1 diode are necessary at most.
2. For most applications, either VREFP or VREFN is needed. So, the capacitor for the unused one can be saved.
3. The Schottky diode of VGL-GND is a must which is to prevent from power-on latch-up occurrence.

◆ **Source Output for Different Resolution**

H-Resolution	SPR / Real	Channel No	Active Source Output
1600	2/3 SPR	3200	S[1] ~ S[1600], S[1641] ~ S[3240]
1440	2/3 SPR	2880	S[1] ~ S[1440], S[1801] ~ S[3240]
1440	SPR Bypass	2880	S[1] ~ S[1440], S[1801] ~ S[3240]
1080	Real	3240	S[1] ~ S[3240]
1080	2/3 SPR	2160	S[1] ~ S[1080], S[2161] ~ S[3240]

CONFIDENTIAL