


Constant Current Driver 恒流电源
Model 型号: KEDHXXXSXXXNC12A9


Model 型号	Output Current 输出电流	Input Current 输入电流	Input Power 输入功率	Output Power Range 输出功率范围	PF 功率因素	Efficiency 效率	Output Voltage 输出电压	No load Voltage 空载电压
KEDH036S0600NC12A9	600mA	0.22	43W	27-36W	0.95	88%	45-60V	75V
KEDH036S0650NC12A9	650mA	0.22	39W	23.4-32.5W	0.95	88%	36-50V	65V
KEDH036S0700NC12A9	700mA	0.22	42W	25.2-35W	0.95	88%	36-50V	65V
KEDH036S0750NC12A9	750mA	0.22	45W	27-37.5W	0.95	88%	36-50V	65V
KEDH036S0800NC12A9	800mA	0.22	40W	21.6-33.6W	0.95	88%	27-42V	55V
KEDH036S0850NC12A9	850mA	0.22	42W	22.95-35.7W	0.95	88%	27-42V	55V
KEDH036S0900NC12A9	900mA	0.22	43W	24.3-36W	0.95	88%	27-40V	55V
KEDH036S1050NC12A9	1050mA	0.22	37W	19.95-31.5W	0.95	88%	19-30V	45V
KEDH040S0900NC12A9	900mA	0.25	46W	24.3-37.8W	0.95	88%	27-42V	55V
KEDH040S0950NC12A9	950mA	0.25	47W	25.65-39.9W	0.95	88%	27-42V	55V
KEDH040S1000NC12A9	1000mA	0.25	48W	27-40W	0.95	88%	27-40V	55V
KEDH040S1050NC12A9	1050mA	0.25	49W	28.35-42W	0.95	88%	24-40V	55V

* Test result @230V, 50Hz, Full Load. 所有测试参数基于@230V, 50Hz, 满载

1. Parameters 参数表

Category 类别	Item 项目	Technical Norm 技术指标
Features 特性	Output Type 输出类型	Constant Current 恒流
	IP Grade 等级	IP20
	Insulation Class 绝缘等级	Class II
Input 输入参数	Rated Input Voltage 额定输入电压	220-240VAC
	Range of Input Voltage 输入电压范围	198-264VAC
	Frequency 输入频率	50/60Hz
	Input Current 输入电流	≤0.25A (198VAC, full load)
	Input Power 输入功率	≤ 49W (230VAC, full load)
	Power Factor 功率因素	≥0.95 (230VAC, full load)
	THD 谐波	≤15% (230VAC, full load)
Output 输出参数	No-load Power Consumption 空载功耗	≤0.5W @230VAC
	Current Accuracy 电流精度	±5%
	Max. Output Power 最大输出功率	42W



	Started Delay Time 启动延时	≤0.5S (230VAC, full load)
	Current Ripple 纹波电流(< 120 Hz)	±5% (Imax-Imin) / (Imax+Imin)
	PstLM 频闪	≤1
	SVM 频闪效应	≤0.4
Protection 保护特性	Short Circuit Protection 短路保护	Auto Recovery/自动恢复
	Overload Protection 过载保护	Auto Recovery/自动恢复
	No-load Protection 空载保护	Auto Recovery/自动恢复
	Insulation voltage 绝缘电压	I/P to O/P , 3.75KVac/1min
	Insulation resistance 绝缘电阻	>100M ohm @ 500VDC
	Leakage current 漏电流	I/P to O/P < 250 μ A
Environment 使用环境	Ta/Operation Temperature 工作温度	-20....+60℃
	Ts/Storage Temperature 储存温度	-30....+85℃
	Tc/Enclosure Temperature 外壳温度	90℃
	Humidity 湿度	10%...90%RH
	Atmosphere 大气压强	86-108KPa
Construction 安装	Connection Method 连接方式	Direct Lead 接线
	Installation 安装方式	Build-in 内置
	PRI Wire preparation 输入线径	0.5-1.5□
	SEC Wire preparation 输出线径	0.5-1.5□
	Dimension 尺寸	Φ69.5*25mm(R*H)
Standards 标准	Certification 证书	TUV、CE、SAA、CCC
	Safety Standards 安全标准	EN61347-1:2015,EN61347-2-13:2014/A1:2017,EN 62493:2015, AS61347.2.13:2018, AS/NZS61347.1:2016 Inc A1
	EMC Standards 电磁兼容标准	EN IEC 55015:2019, EN IEC 55015:2019/A11:2019, EN IEC 61000-3-2:2019, EN 61000-3-3:2013/A1:2019, EN61547:2009,
	Performance 性能标准	EN62384
	Surge 浪涌	L-N/2KV
Others 其它	RoHS 环保	complied to 2011/65/EU
	Life Time 寿命	50,000h (Ta) / (Tc)
	Warranty 质保	5years , F.R. < 10000ppm (质保期过的失效率)
	Noise 噪音	≤24dB@Background noise ≤18dB , Interval ≥15cm

Remark/备注

所有参数无特别说明,均在输入电压 230VAC/50Hz 和 25℃ 的环境温度下测得。All Parameters, if not specified, are measured at 230VAC/50Hz and 25℃ ambient temperature.

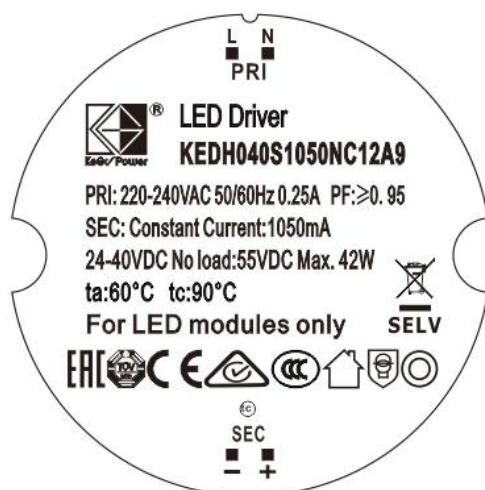
LED 电源作为整灯中的一个零部件与终端设备结合使用,因 EMC 性能受 LED 灯具以及走线的影响,终端设备制造商需对整套装置重新进行 EMC 确认。LED Driver is a component of the luminaires, Luminaires and wire layout will affect the EMC, please check the EMC with end products again.



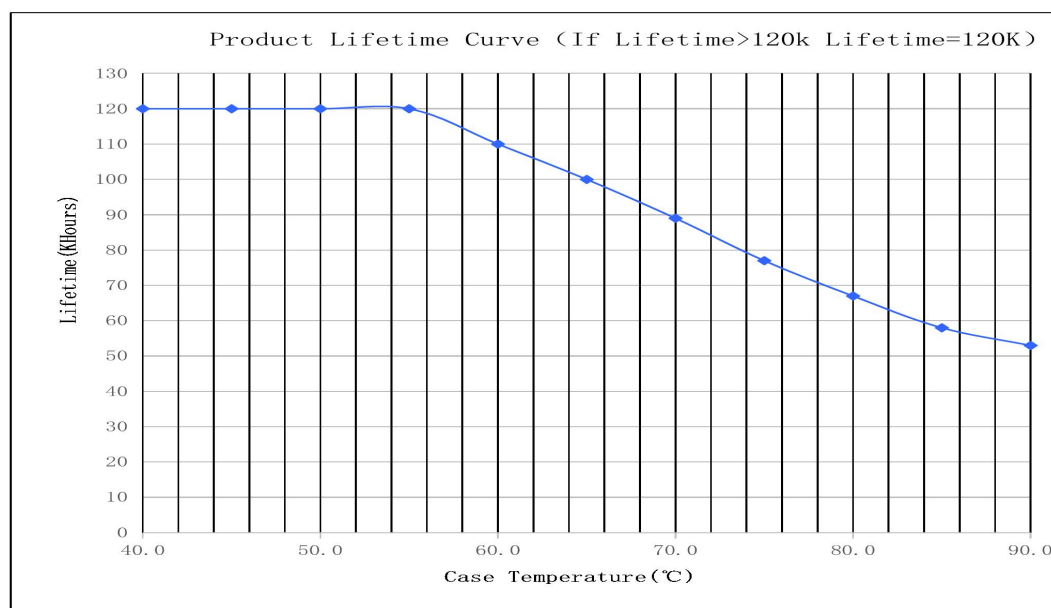
2. Connected quantities of different current Breaker 不同电流断路器连接数量

TYPE	Connected quantities of different current Breaker						Input Voltage	Inrush Current	Time
	current (A)	10	13	16	20	25			
	Installation wire diameter	1.5mm ²	2.5mm ²	2.5mm ²	4mm ²	4mm ²			
TYPE B		20	26	32	40	50	@230VAC	30	420us
TYPE C		32	42	51	64	80			
TYPE D		51	67	82	102	128			

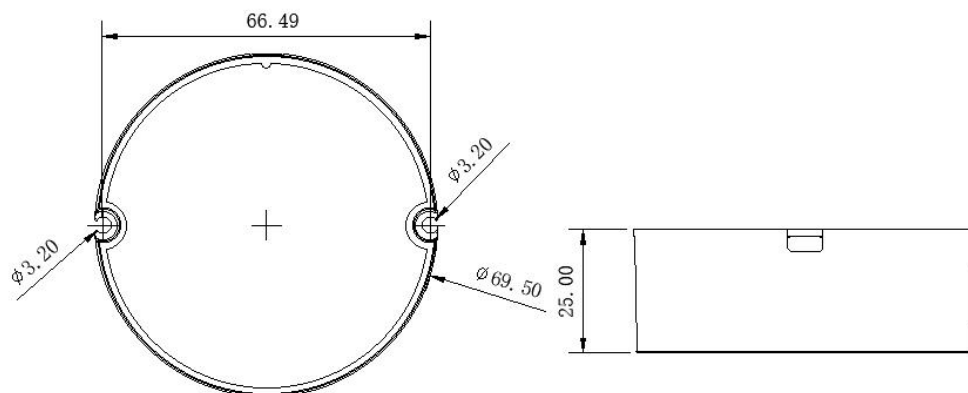
3. Label 铭牌



4. Lifetime curve 寿命曲线



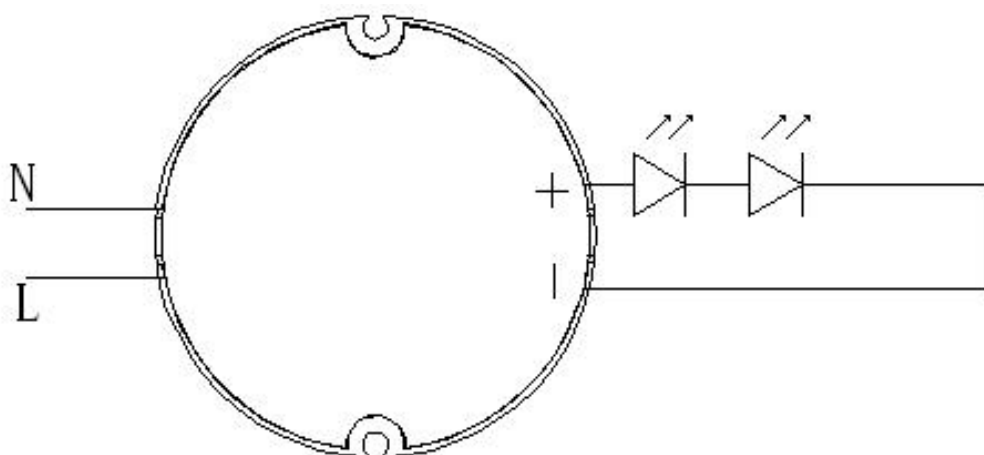
5. Dimension 尺寸 (Unit: mm)



6. Packing information 装箱信息

Carton L*W*H(mm) 纸箱尺寸	Pcs/Carton 数量/箱	Net weight/ Pcs(kg) 净重/个	Net weight/ Carton(kg)净重/箱	Gross weight / Carton(kg)毛重/箱
420*280*180	90	0.15	13.5	14.05

7. Wiring Diagram 接线图



8. Wiring instructions 接线说明

- All connections must be kept as short as possible to ensure good EMI behaviour

所有的连接线尽可能的短，以保证良好的 EMI

- Mains leads should be kept apart from LED Driver and other leads (ideally 5 – 10 cm distance)

电源线应和驱动器以及其他连接线保持一定的距离（建议 5-10cm）

- Advice the maximum length of output wires is 3 m

建议输出线的最大长度不超过 3m

- Secondary switching is not permitted (Except for constant voltage)

不允许二次侧开关（恒压除外）

- Incorrect wiring can damage LED modules.

错误的布线会损坏 LED 模组

- The wiring must be protected against short circuits to earth (sharp edged metals parts, metal cable clips, louver, etc.)

防止线路电线对地短路。（尖锐的金属零件、金属电缆夹、百叶窗等）

