


Constant Current Driver 恒流电源
Model 型号: KEDH00XS0XXXNR72


Model 型号	Output Current 输出电流	Input Current 输入电流	Input Power 输入功率	Output Power Range 输出功率范围	PF 功率因素	Efficiency 效率	Output Voltage 输出电压	No load Voltage 空载电压
KEDH001S0150NR72	150mA	0.04A	2W	0.27-0.6W	0.4	≥50%	1.8-4V	16V
KEDH001S0300NR72	300mA	0.04A	3W	0.54-1.2W	0.4	≥55%	1.8-4V	16V
KEDH001S0350NR72	350mA	0.04A	3.5W	0.63-1.4W	0.4	≥55%	1.8-4V	16V
KEDH002S0150NR72	150mA	0.04A	5W	1.35-2.25W	0.4	≥65%	9-15V	35V
KEDH002S0500NR72	500mA	0.04A	5W	0.9-2W	0.4	≥60%	1.8-4V	16V
KEDH002S0600NR72	600mA	0.06A	5W	1.08-2.4W	0.4	≥60%	1.8-4V	16V
KEDH003S0200NR72	200mA	0.06A	5W	1.8-3W	0.4	≥65%	9-15V	35V
KEDH003S0300NR72	300mA	0.06A	5W	1.5-3W	0.4	≥65%	5-10V	35V
KEDH003S0350NR72	350mA	0.06A	5W	1.4-2.8W	0.4	≥60%	4-8V	25V
KEDH003S0500NR72	500mA	0.06A	5W	1.5-3W	0.4	≥65%	3-6V	16V
KEDH003S0700NR72	700mA	0.06A	5W	1.26-2.8W	0.4	≥60%	1.8-4V	16V

* Test result @220V, 50Hz, Full Load. 所有测试参数基于@220V, 50Hz, 满载

1. Parameters

Category 类别	Item 项目	Technical Norm
Features 特性	Output Type 输出类型	Constant Current
	IP Grade IP 等级	IP20
	Insulation Class 绝缘等级	Class II
Input 输入参数	Rated Input Voltage 额定输入电压	220-240VAC
	Range of Input Voltage 输入电压范围	176-264VAC or 230-280VDC
	Frequency 输入频率	50/60Hz
	Input Current 输入电流	≤0.06A
	Input Power 输入功率	≤5W
	Power Factor 功率因素	≥0.4(230VAC, full load)
	No-load Power Consumption 空载功耗	≤0.5W @230VAC
Output 输出参数	Current Accuracy 电流精度	±5%(350mA~700mA)
	Current Accuracy 电流精度	±10%(150mA~300mA)
	Max. Output Power 最大输出功率	3W
	Started Delay Time 启动延时	≤0.5S(230VAC, full load)



Output 输出参数	Current Ripple 纹波电流(< 120 Hz)	$\pm 5\%$ (Imax-Imin) / (Imax+Imin)
	PstLM 频闪	≤ 1
	SVM 频闪效应	≤ 0.4
Protection 保护特性	Short Circuit Protection 短路保护	Auto Recovery
	Overload Protection 过载保护	Auto Recovery
	No-load Protection 空载保护	Auto Recovery
	Insulation voltage 绝缘电压	I/P to O/P, 3KVac/1min
	Insulation resistance 绝缘电阻	>100M ohm @ 500VDC
	Leakage current 漏电流	I/P to O/P < 250 μ A
Environment 使用环境	Ta/Operation Temperature 工作温度	-25....+50 $^{\circ}$ C
	Ts/Storage Temperature 储存温度	-30....+85 $^{\circ}$ C
	Tc/Enclosure Temperature 外壳温度	85 $^{\circ}$ C
	Humidity 湿度	10%....90%RH
	Atmosphere 大气压强	86-108KPa
Construction 安装	Connection Method 连接方式	Direct Lead
	Installation 安装方式	Build-in
	PRI Wire preparation 输入线径	0.3-0.5 $^{\square}$
	SEC Wire preparation 输出线径	0.3 $^{\square}$
	Dimension 尺寸	33.9*22.8*17mm (L*W*H)
Standards 标准	Certification 证书	TUV/SAA/CE
	Safety Standards 安全标准	EN61347-1:2015,EN61347-2-13:2014/A1:2017, EN62493:2015, AS61347.2.13:2018, AS/NZS61347.1:2016 Inc A1
	EMC Standards 电磁兼容标准	EN IEC 55015:2019 EN IEC 55015:2019/A11:2019 EN IEC 61000-3-2:2019 EN 61000-3-3:2013/A1:2019 EN61547:2009
	Performance 性能标准	EN62384
	Surge 浪涌	L-N/0.5KV
	Others 其它	RoHS 环保
	Life Time 寿命	50000h @ Ta/Tc
	Warranty 质保	5years, F.R. < 10000ppm (质保期过的失效率)

Remark/备注

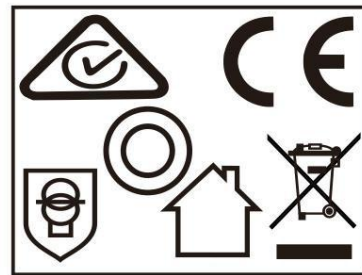
- 所有参数无特别说明, 均在输入电压 230VAC/50Hz 和 25 $^{\circ}$ C 的环境温度下测得。All Parameters, if not specified, are measured at 230VAC/50Hz and 25 $^{\circ}$ C ambient temperature.
- LED 电源作为整灯中的一个零部件与终端设备结合使用, 因 EMC 性能受 LED 灯具以及走线的影响, 终端设备制造商需对整套装置重新进行EMC 确认。LED Driver is a component of the luminaires, Luminaires and wire layout will affect the EMC, please check the EMC with end products again.



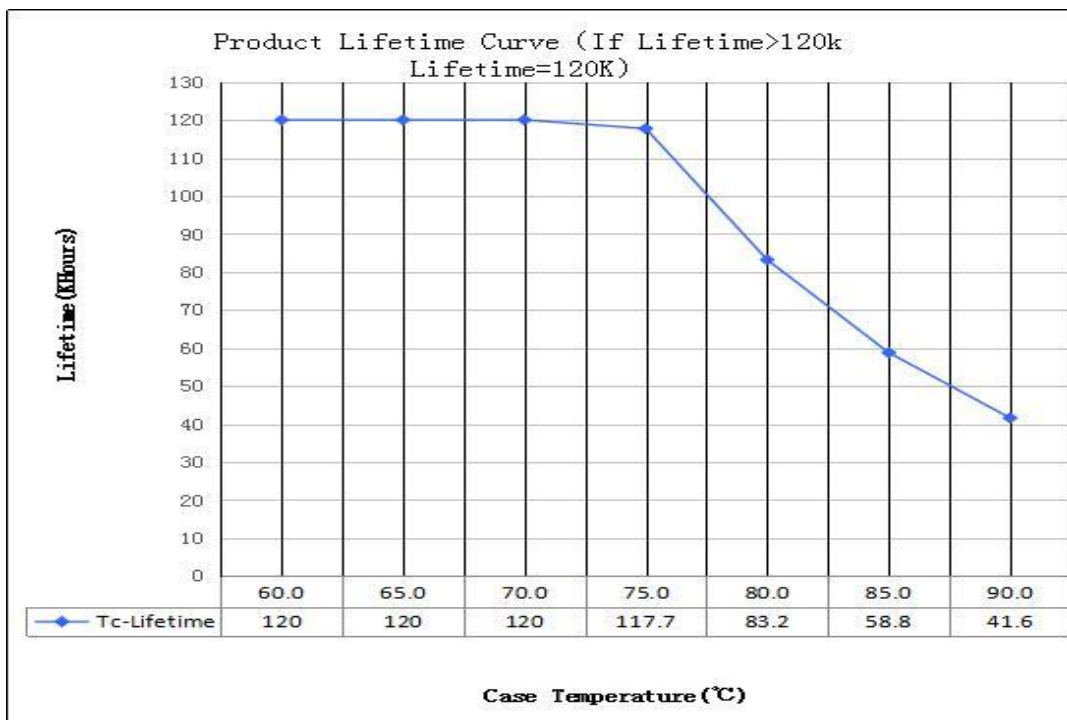
2. Connected quantities of different current Breaker 不同电流断路器连接数量

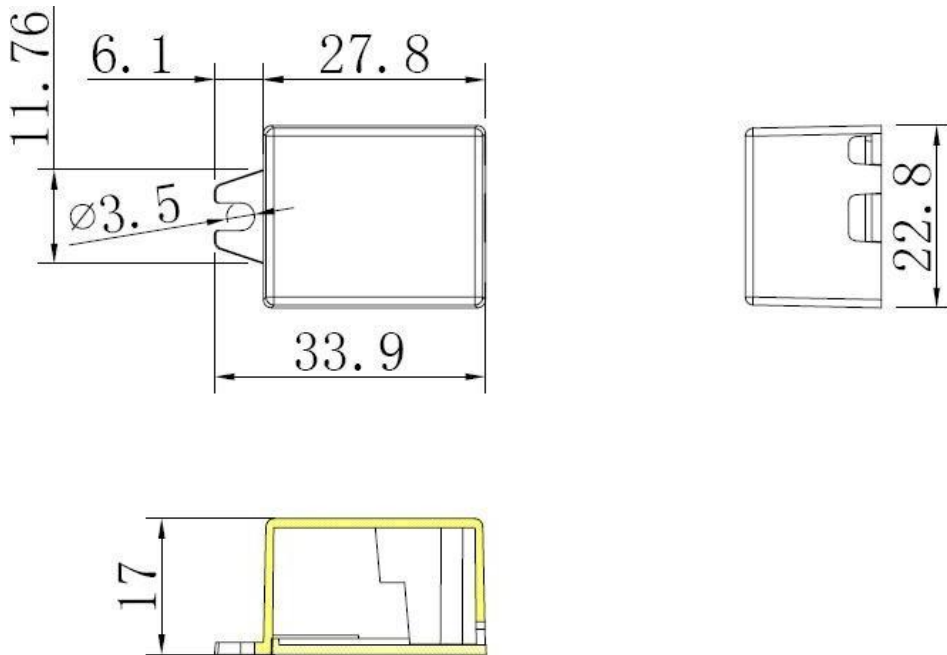
TYPE	Connected quantities of different current Breaker					Input Voltage	Inrush Current	Time
	current (A)	10	13	16	20			
	Installation wire diameter	1.5mm ²	2.5mm ²	2.5mm ²	4mm ²	4mm ²		
TYPE B		35	46	56	71	88	@230VAC	17
TYPE C		56	73	90	113	141		
TYPE D		90	117	145	181	226		

3. Label 铭牌

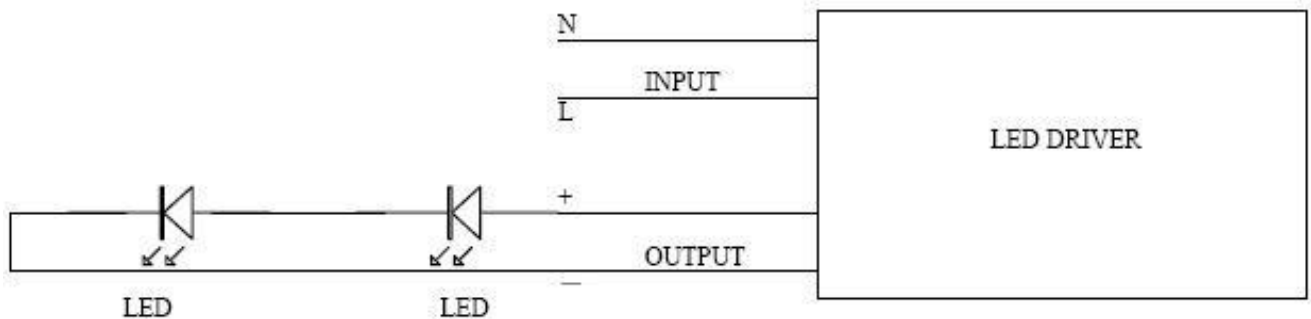


4. Lifetime curve 寿命曲线



5. Dimension 尺寸 (Unit: mm)

6. Packing information 包装方式

Carton L*W*H(mm) 纸箱尺寸	Pcs/Carton 数量/箱	Net weight/ Pcs(kg) 净重/个	Net weight/ Carton(kg)净重/箱	Gross weight / Carton(kg)毛重/箱
457*250*220	300	0.022	6.66	7.2

7. Wiring Diagram 接线图


8. Wiring instructions 接线说明

- All connections must be kept as short as possible to ensure good EMI behaviour

所有的连接线尽可能的短，以保证良好的 EMI

- Mains leads should be kept apart from LED Driver and other leads (ideally 5 – 10 cm distance)

电源线应和驱动器以及其他连接线保持一定的距离（建议 5-10cm）

- Advice the maximum length of output wires is 3 m

建议输出线的最大长度不超过 3m

- Secondary switching is not permitted (Except for constant voltage) 不允许二次侧开关（恒压除外）

- Incorrect wiring can damage LED modules.

错误的布线会损坏 LED 模组

- The wiring must be protected against short circuits to earth (sharp edged metals parts, metal cable clips, louver, etc.)

防止线路电线对地短路。（尖锐的金属零件、金属电缆夹、百叶窗等）

