

Solar LED STREET LIGHT

LHY Series
2022



CE

CB



IP65



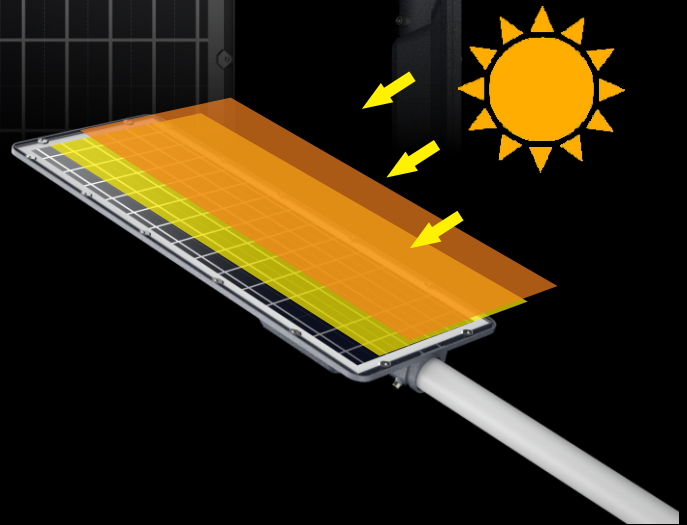
OVERVIEW



ELECTRICAL

SOLAR PANEL CHARGING

With 18%-20% high efficiency conversion rate,
Which can also be charged in low light environment,
Smart charging during the day smart lights at night.



- | | | | |
|---------------------|--|----------------|--|
| Reset | | Turn off | |
| Turn on | | Induction mode | |
| Increase brightness | | Automatic mode | |
| Timing 3H | | Timing 3H | |
| Reduce brightness | | Timing 4H | |
| Timing 2H | | | |

NEW LITHIUM BATTERY

High-capacity battery, Battery 0 cycle,
Low voltage protection, Long service life.



EXPLODED VIEW

High-efficiency monocrystalline solar panels.

Die-casting aluminum body.

New lithium iron phosphate zero-cycle battery.

Induction switch circuit board.

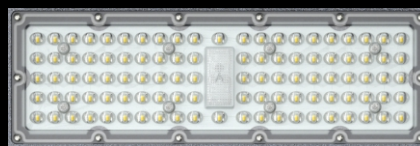
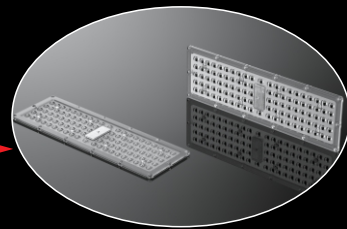
High efficiency aluminum PCB.

High lumen 3030/5054 SMD led chip optional.

Waterproof silicone rubber.

Anti-UV anti-glare optical lens.

INTELLIGENT SENSOR



3030SMD

V.S.



5054SMD



APPLICATIONS

Widely applicable to roads, expressways, parks, plazas, villas, etc.

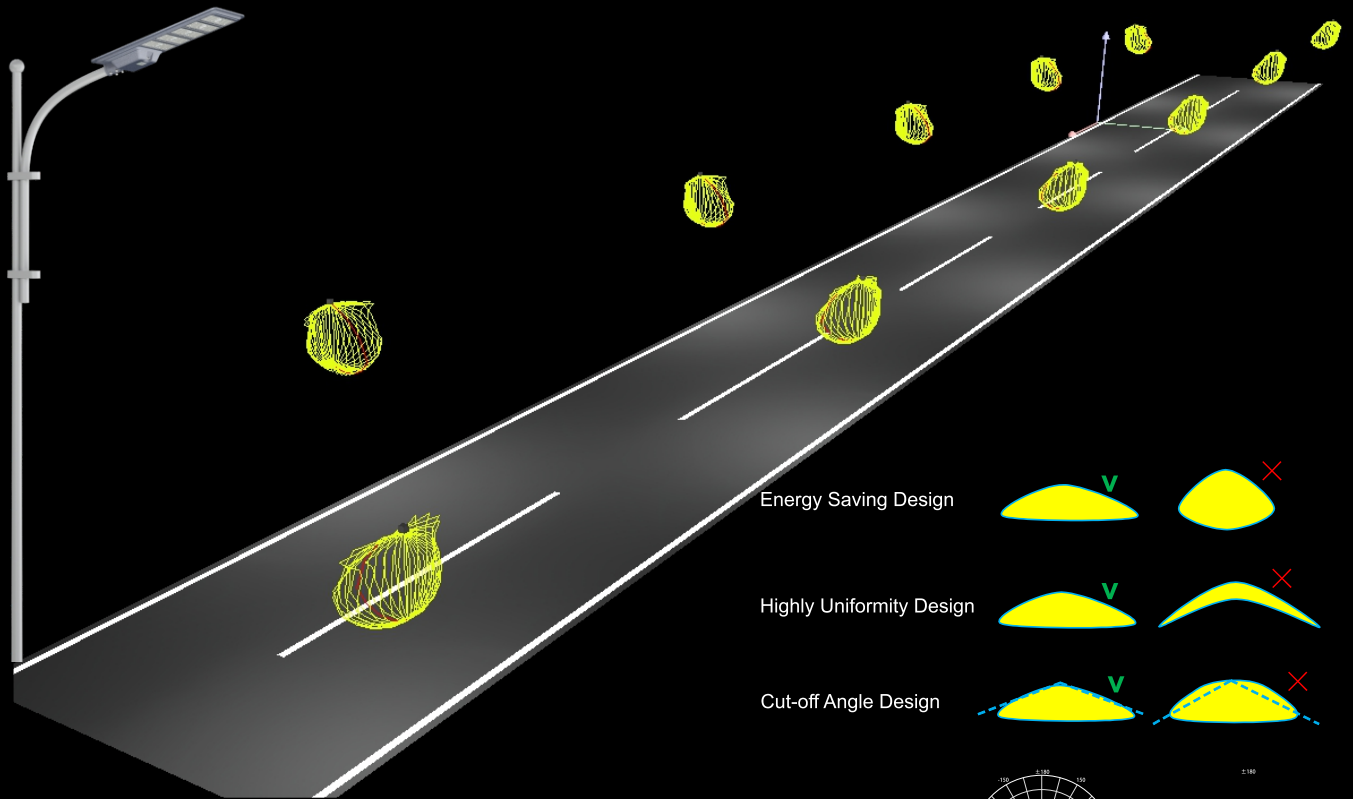


Ultra-slim body

OPTICS

Tech. Support: Tell us the room length, width, height and the usage.
We have an engineer team to respond the DIALUX simulations for lights quantity calculation and effects.
ies files are available upon request.

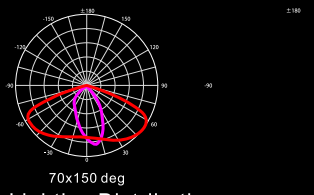
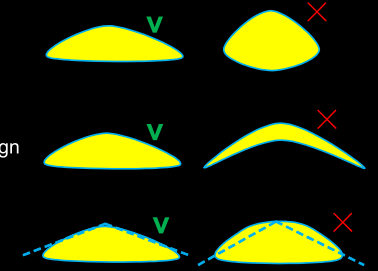
Example of cross installation effect on both sides of the road:



Energy Saving Design

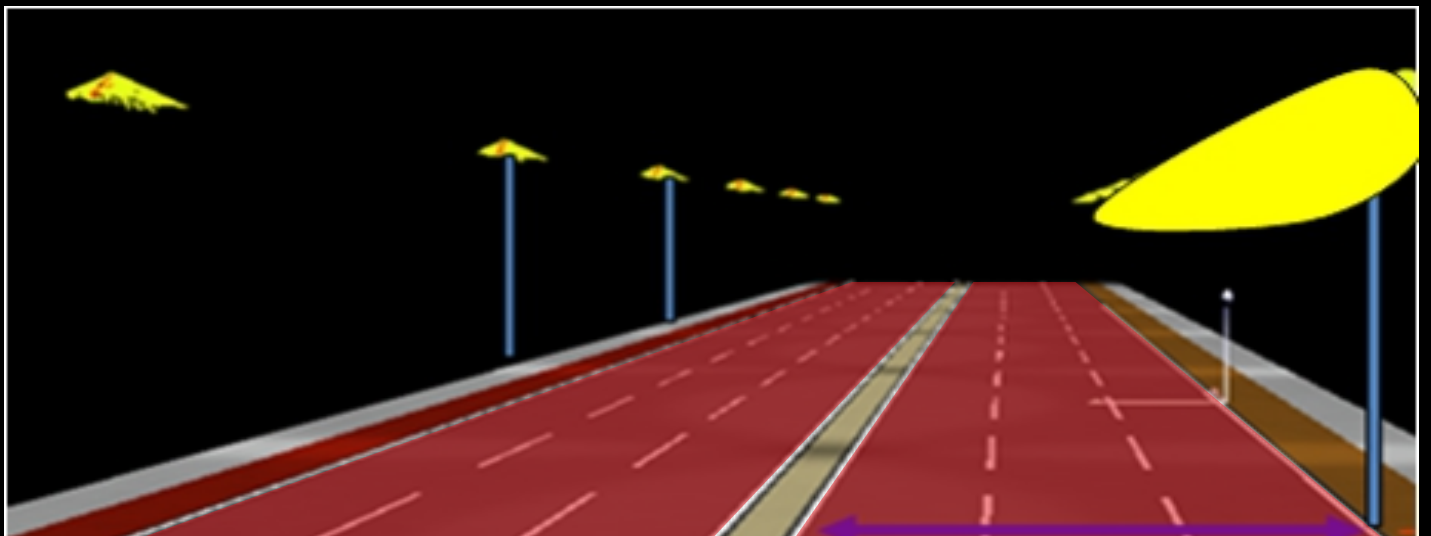
Highly Uniformity Design

Cut-off Angle Design



Professional road light distribution design,
illuminate the road without dazzling.

Plane Lighting Distributions



MAIN PARAMETERS

3030SMD Versions



SOLAR-LHY 300W



SOLAR-LHY400W



SOLAR-LHY500W

5054SMD Versions



SOLAR-5054 300W



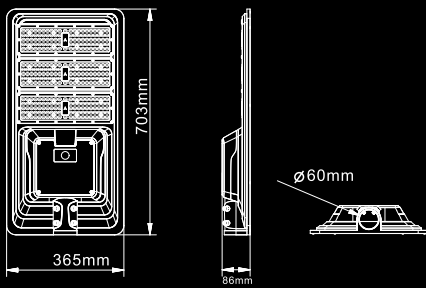
SOLAR-5054 400W



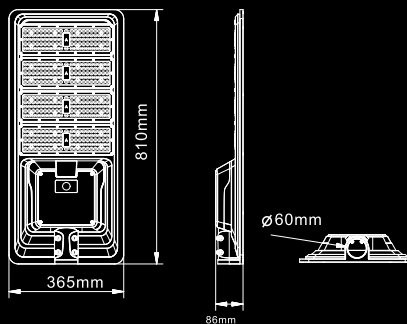
SOLAR-5054 500W

DIAGRAMS

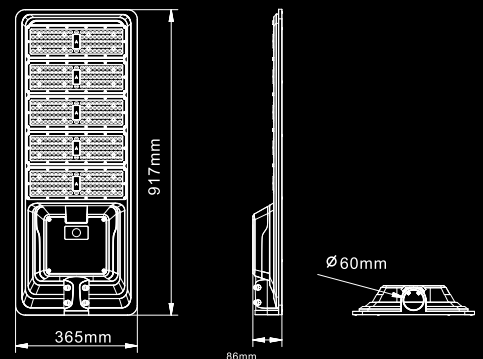
Model No.	Power	LED	Lamp Size	CTN Size	Solar Panel Size	N.W.	CBM/CTN
SOLAR-LHY300W	300W	3030/5054	703*365*87	76*41.5*13	671.5*340/40W	2.72kg	0.041
SOLAR-LHY400W	400W	3030/5054	810*365*87	86.5*41.5*13	777.5*340/45W	2.98kg	0.047
SOLAR-LHY500W	500W	3030/5054	916*365*87	97*41.5*13	884*340/53W	3.38kg	0.052



SOLAR-LHY 300W



SOLAR-LHY400W

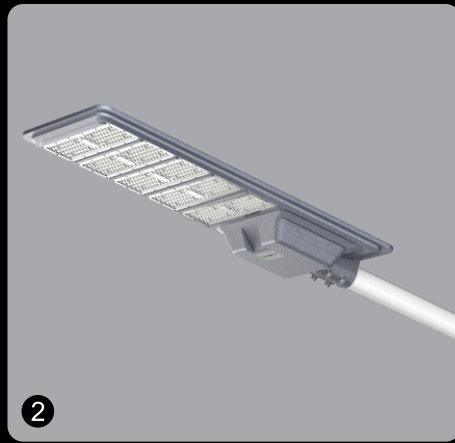
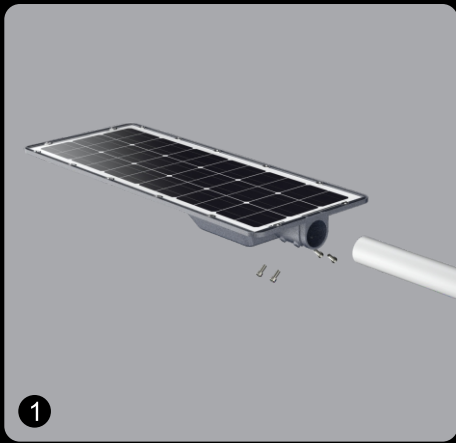


SOLAR-LHY500W

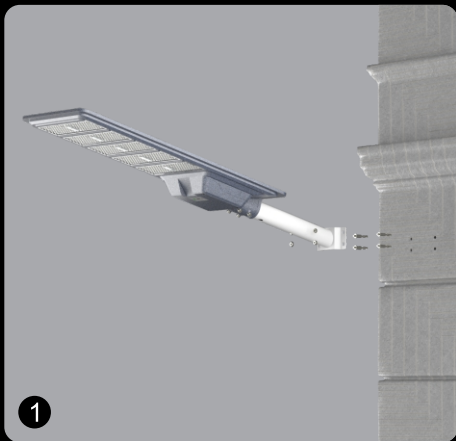
INSTALLATIONS



(1) Pole Mounted



(2) Wall Mounted

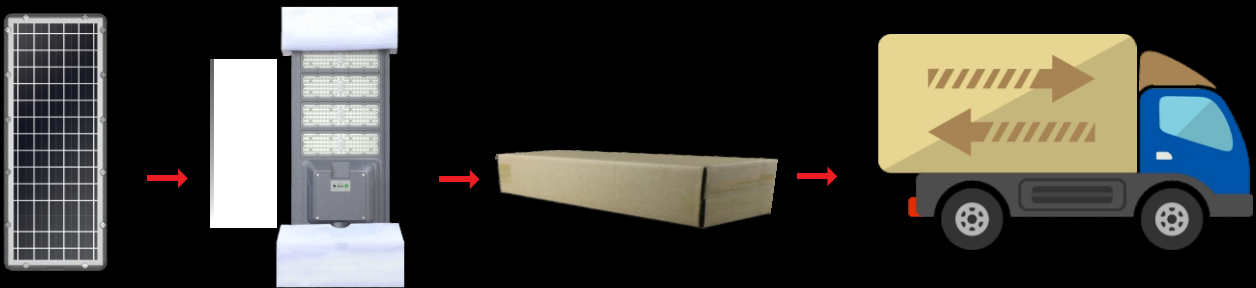




FEATURES

1. All-in-one solar street light.
2. Famous brand 3030 / 5050 SMD LED chip.
3. Lighting control +radar sensor+timing control
4. High-quality monocrystalline silicon solar panel, good low light performance, high conversion efficiency, can also be charged in cloudy and rainy days.
5. Advanced solar energy recharging controllers.
6. Die-casting aluminum body.

PACKAGING



CAUTIONS:

1. Installation must be done by professional electricians.
2. Do NOT take apart the product. It may be dangerous.
3. Do NOT stare at the light with naked eyes. It is harmful to eyes.
4. Solar panel should be installed towards sun, And it must NOT be sheltered by trees or any other covers.

