



—— 一盏好灯 一份责任 ——



ZHEJIANG JINYUAN OPTOELECTRONICS CO., LTD

LED STREET LIGHT

- Application Area

- Driveway, Non-Driveway Lighting,
routine road lighting
- Residential areas, parks and squares and
other public places lighting



- Standard color



Pearl Grey



- Product Features

- 1、Integrated heat dissipation of housing,

Efficient heat dissipation performance

- 2、IP66, High waterproof and dust-proof level
- 3、Adjustable angle and installed vertically
- 4、distribution lighting, Unified road lighting
- 5、Electrostatic Spraying , Highly corrosion-resistant, Long lasting and durable



Technical Parameter

- optical parameter

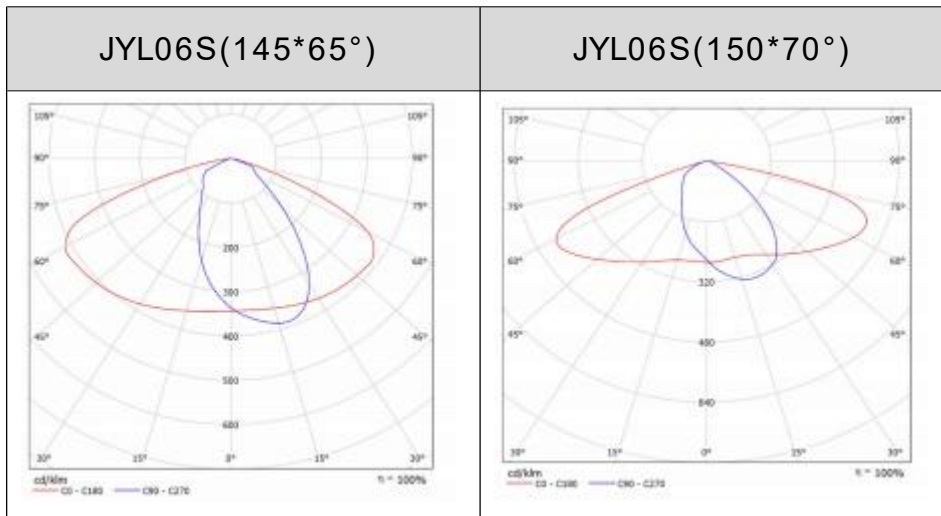
| Model | Input voltage (V) | series-parallel connection | Power (W) | Efficiency (lm/W) | Luminous (lm) | PF | Typical Efficiency | Light Type | LED | CCT (K) | Ra |
|--------|-------------------|----------------------------|-----------|-------------------|---------------|-------|--------------------|--------------|------|---------|-----|
| JYL06S | AC100-277 | 14 parallel 2 series | 30 | 170±5 | 5100±150 | ≥0.95 | ≥88% | semi-cut-off | 5050 | 2700 | ≥70 |
| | | 14 parallel 2 series | 50 | 160±5 | 82500±250 | | | | | 3000 | |
| | | 14 parallel 2 series | 60 | 160±5 | 9600±300 | | | | | 4000 | |
| | | 14 parallel 2 series | 80 | 15±5 | 12400±400 | | | | | 5000 | |
| | | | | | | | | | | 5700 | |
| | | | | | | | | | | 6500 | |

- environment and Packaging

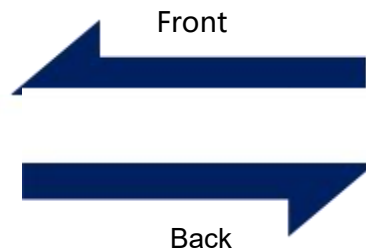
| model | Operating Temperature | Storage Temperature | IP Rating | LED Life (h) | Body material | Install size (mm) | Product size (mm) | Packing size (mm) | N.W (kg) | G.W (kg) |
|--------|---------------------------|---------------------|-----------|--------------|-----------------------------|-------------------|-------------------|-------------------|----------|----------|
| JYL06S | -30°C~+45°C ,10%~90%RH | -30°C~+50°C | IP66 | >100,000 | die-cast aluminum+import PC | 60 | 532*150*76 | 550*165*105 | 1.6 | 2.0 |

- Warranty : 5 years

Distribution Curve Flux



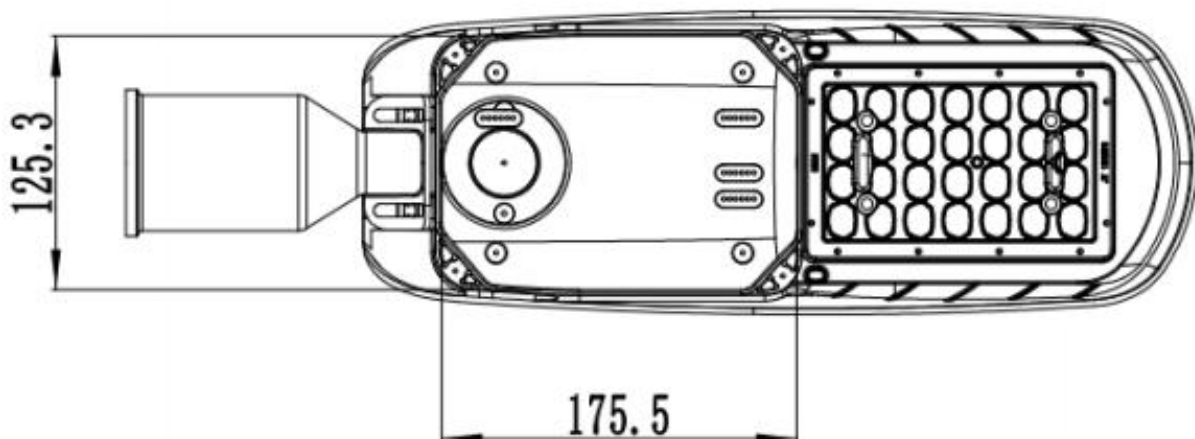
- Appearance



- Electrical cavity Appearance

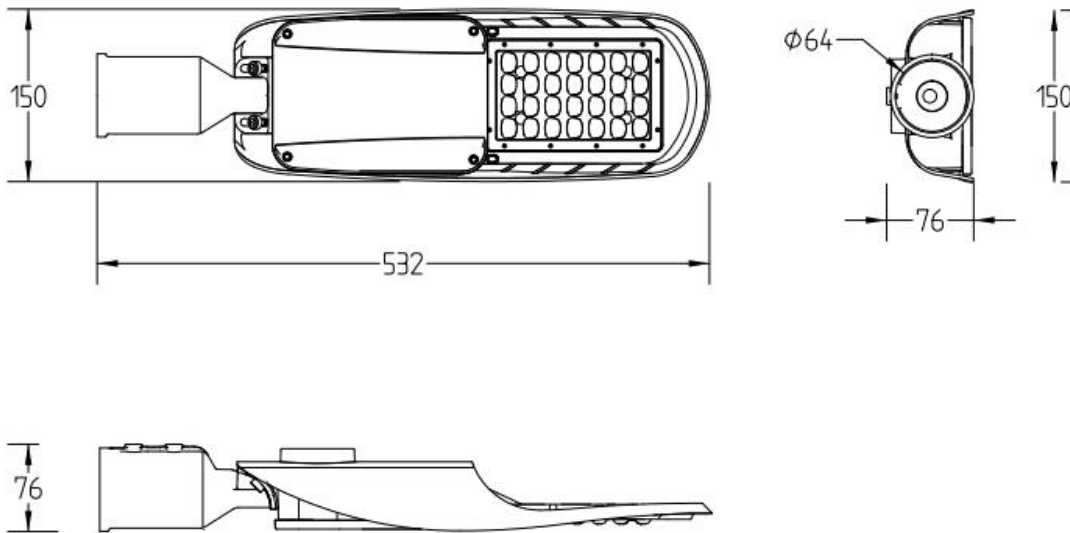


- SIZE OF Electrical cavity

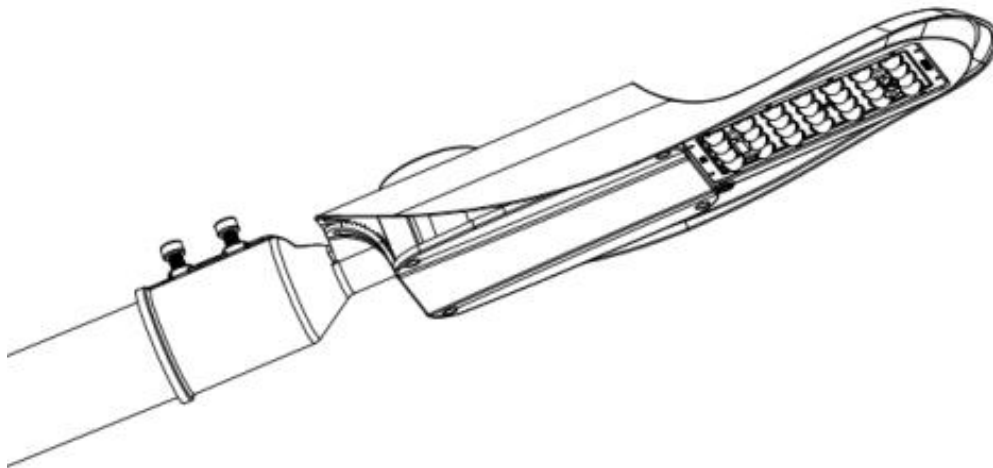


Wireframe

- dimension



- installation diagram



Install caliber $\Phi 60$ mm

Installation depth 100 mm

installation instructions

1



2



3



4



- Installation steps

- ① Connect the power cord correctly, and the ground wire shall be grounded reliably
- ② Connect the lamp and the arm for installation depth of 100mm
- ③ Tighten the two fixing screws
- ④ Check the installation effect to ensure no loosening and the installation is completed