



Connect to put the new
realm of technique

公司简介

威浦电器有限公司成立于1996年，多年专注于工业连接器的研发与制造，是“全国电器附件标准化技术委员会”组织机构的成员之一，是国标GB/T11918-2014的起草单位之一。

WEIPU Electrical Appliance Co.,Ltd was established in 1996, specialize in R&D and manufacturing the industrial connectors, we are the member of “National Electrical Appliances Standardization Technical Committees” and one of the members to draft the national standard for industrial connectors GB11918-2014.



威浦工厂实景
Factory premises

威浦局部厂区
Workshop building



ISO 9001

ISO/TS 22163

实验室 In-house Test Lab Equipment



振动测试机 Vibration Test Equipment
测试被测产品在寿命期间耐振动情况



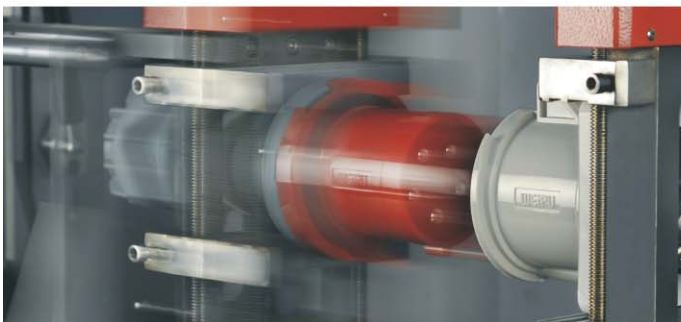
电流瞬断测试仪 Electric Current Break Test Equipment
监测被测产品在震动情况下的通电流情况



· 图像尺寸测量仪 Optical Comparator
测试被测产品对周围环境温度急剧变化的适应性



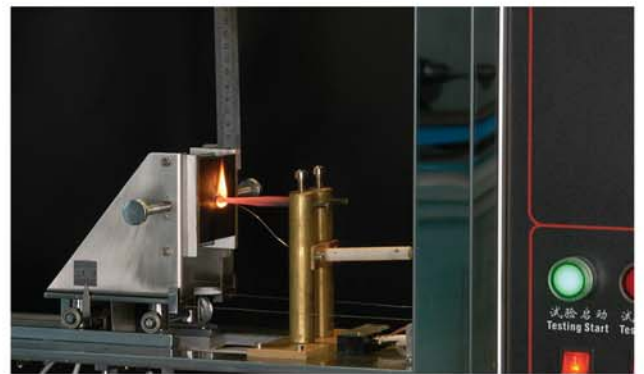
防水测试机 Waterproof Ip Rating Test Chamber
测试产品IPX3-6防水性能



使用寿命测试机 Mating Cycle Life Time Test Machine
测试被测产品接插寿命



全自动二次元投影仪 Accurate Size Test Equipment
测量精度5 μ m, 放大倍率18X-120X



系列 Series

[SF系列](#)[点击
直达 >](#)[SY系列](#)[点击
直达 >](#)[定制案例](#)[点击
直达 >](#)



★ 接触件可以是插针或插孔
Each side can be male or female contact

材料和技术参数 Material and spec

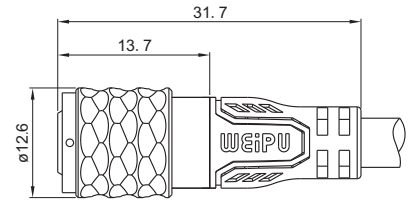
产品类型	Product model	预铸电缆连接器 Patchcord Connector
接插方式	Coupling	推入式快速锁紧 Push-pull
外壳材料	Shell material	铜,PVC 阻燃等级:UL94 V-0 Brass, PVC fire resistance:UL94 V-0
绝缘体	Insert material	PPS 耐高温260℃ PPS max temperature 260 ℃
接触件材料	Contact material	铜镀金 Brass with gold plating
防护等级	IP rating	IP67
接插次数	Mating cycle	500
温度范围	Temperature range	-20℃~+85℃
绝缘电阻(MΩ)	Insulation resistance (MΩ)	2000

SF8 Series

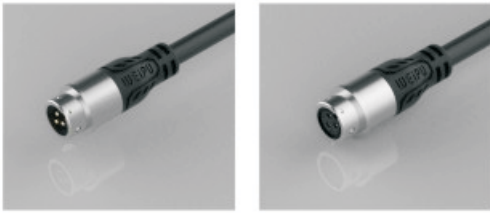


单端预铸电缆-插头
Single-Ended Cordsets--Plug

与SF811,SF812,SF815,SF821,SF824相配
Mate with SF811,SF812,SF815,SF821,SF824

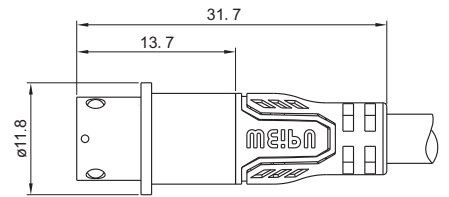


SF820 / P _ _ _ SF820 / S _ _ _
 插孔 Female contact 插针 Male contact 电缆长度 Cable length: 1、3、6、10 (米/meter)
 芯数 Number of contact



单端预铸电缆-插座
Single-Ended Cordsets--Receptacle

与SF810,SF820相配
Mate with SF810,SF820

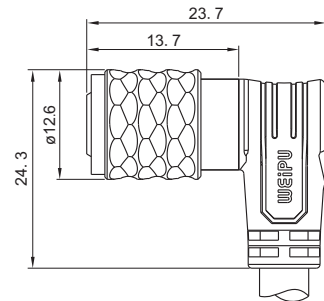


SF821 / P _ _ _ SF821 / S _ _ _



单端预铸电缆-插座
Single-Ended Cordsets--Receptacle

与SF810,SF820相配
Mate with SF810,SF820



SF824 / P _ _ _ SF824 / S _ _ _

芯件参数 Contact spec

如需订购其他颜色和电缆长度, 请与销售代表联系

If you need to order other color and cable length, please contact with our sales representative

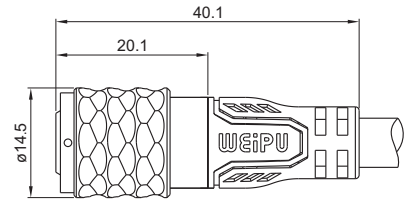
芯数 Number of contact	2	3	4	6	8
公端绝缘体正面图 Male contact face view					
额定电流 (A) Rated current (A)	5	5	3	3	3
接触件直径(mm) Contact diameter(mm)	ø1×2	ø1×3	ø0.6×4	ø0.6×6	ø0.6×8
工作电压 (AC.V) Rated voltage (AC.V)	125	125	30	30	30
耐压 (AC.V) 1 min Test voltage(AC.V) 1 min	1000	1000	500	500	500
接触电阻 (mΩ) Contact resistance(mΩ)	5	5	10	10	10
线规 (mm²/AWG) Wire size (mm²/AWG)	≤0.75/18	≤0.75/18	≤0.5/20	≤0.5/20	≤0.5/20

SF10 Series



单端预铸电缆-插头
Single-Ended Cordsets--Plug

与SF1011,SF1012,SF1015,SF1021,SF1024相配
Mate with SF1011,SF1012,SF1015,SF1021,SF1024

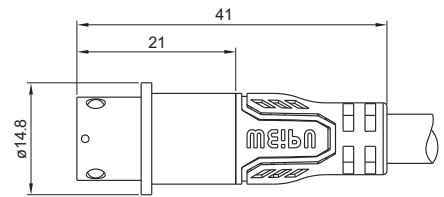


SF1020/P — — SF1020/S — —
 插孔 Female contact ———— 电缆长度 Cable length: 1、3、6、10 (米/meter)
 插针 Male contact ———— 芯数 Number of contact



单端预铸电缆-插座
Single-Ended Cordsets--Receptacle

与SF1010,SF1020相配
Mate with SF1010,SF1020

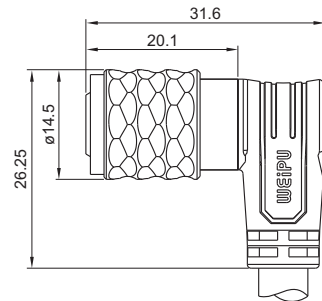


SF1021/P — — SF1021/S — —



单端预铸电缆-插座
Single-Ended Cordsets--Receptacle

与SF1010,SF1020相配
Mate with SF1010,SF1020



SF1024/P — — SF1024/S — —

芯件参数 Contact spec

如需订购其他颜色和电缆长度, 请与销售代表联系

If you need to order other color and cable length, please contact with our sales representative

芯数 Number of contact	2	3	4	5
公端绝缘体正面图 Male contact face view				
额定电流 (A) Rated current (A)	5	5	3	3
接触件直径(mm) Contact diameter(mm)	∅1×2	∅1×3	∅0.7×4	∅0.7×5
工作电压 (AC.V) Rated voltage (AC.V)	180	180	125	125
耐压 (AC.V) 1 min Test voltage(AC.V) 1 min	1000	1000	1000	1000
接触电阻 (mΩ) Contact resistance(mΩ)	5	5	10	10
线规 (mm²/AWG) Wire size (mm²/AWG)	≤0.75/18	≤0.75/18	≤0.5/20	≤0.5/20

SF12 Series



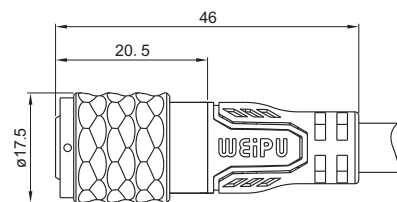
单端预铸电缆-插头

Single-Ended Cordsets--Plug

与SF1211,SF1212,SF1213,SF1221,

SF1224相配

Mate with SF1211,SF1212,SF1213,SF1221,
SF1224



SF1220/P

SF1220/S

插孔 Female contact

插针 Male contact

电缆长度Cable length:1、3、6、10(米/meter)

芯数 Number of contact

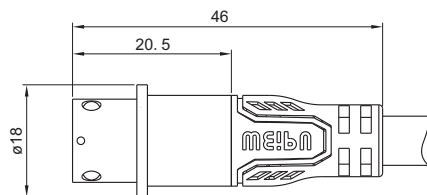


单端预铸电缆-插座

Single-Ended Cordsets--Receptacle

与SF1210,SF1214,SF1220相配

Mate with SF1210,SF12114,SF1220



SF1221/P

SF1221/S

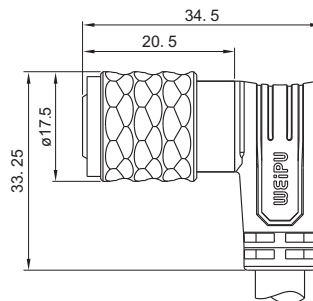


单端预铸电缆-插座

Single-Ended Cordsets--Receptacle

与SF1210,SF1214,SF1220相配

Mate with SF1210,SF12114,SF1220



SF1224/P

SF1224/S

芯件参数

Contact spec

如需订购其他颜色和电缆长度, 请与销售代表联系

If you need to order other color and cable length, please contact with our sales representative

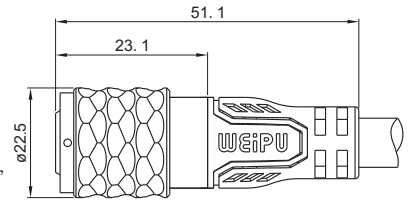
芯数 Number of contact	2	3	4	5	6	7	9
公端绝缘体正面图 Male contact face view							
额定电流(A) Rated current (A)	13	13	5	5	5	5	3
接触件直径(mm) Contact diameter(mm)	Ø1.6X2	Ø1.6X3	Ø1X4	Ø1X5	Ø1X6	Ø1X7	Ø0.7X9
工作电压(AC.V) Rated voltage (AC.V)	250	250	200	180	125	125	125
耐压(AC.V) 1 min Test voltage(AC.V) 1 min	1500	1500	1500	1000	1000	1000	1000
接触电阻(mΩ) Contact resistance (mΩ)	2.5	2.5	5	5	5	5	10
线规(mm²/AWG) Wire size(mm²/AWG)	≤ 2/14	≤ 2/14	≤ 0.75/18	≤ 0.75/18	≤ 0.75/18	≤ 0.75/18	≤ 0.5/20

SF16 Series



单端预铸电缆-插头
Single-Ended Cordsets--Plug

与SF1611,SF1612,SF1613,SF1615,SF1621,
SF1624相配
Mate with SF1611,SF1612,SF1613,SF1615,SF1621,
SF1624



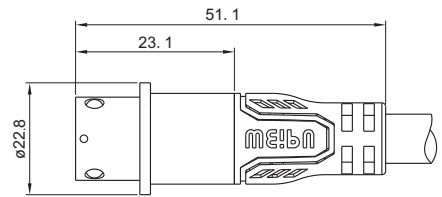
SF1620/P — — SF1620/S — —
 插孔 Female contact — — 插针 Male contact

电缆长度 Cable length: 1、3、6、10 (米/meter)
芯数 Number of contact



单端预铸电缆-插座
Single-Ended Cordsets--Receptacle

与SF1610,SF1620相配
Mate with SF1610,SF1620

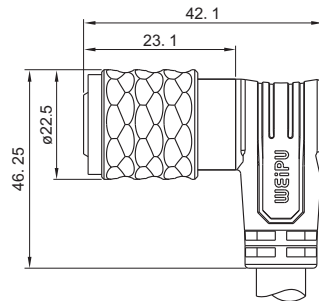


SF1621/P — — SF1621/S — —



单端预铸电缆-插座
Single-Ended Cordsets--Receptacle

与SF1610,SF1620相配
Mate with SF1610,SF1620



SF1624/P — — SF1624/S — —

芯件参数

Contact spec

如需订购其他颜色和电缆长度, 请与销售代表联系

If you need to order other color and cable length, please contact with our sales representative

芯数 Number of contact	2	3	4	2B	3B	4B	5	7	9	10
公端绝缘体正面图 Male contact face view										
额定电流 (A) Rated current (A)	10	10	5	15	15	15	5	5	5	5
接触件直径(mm) Contact diameter(mm)	$\phi 1.5 \times 2$	$\phi 1.5 \times 3$	$\phi 1 \times 4$	$\phi 2 \times 2$	$\phi 2 \times 3$	$\phi 2 \times 4$	$\phi 1 \times 5$	$\phi 1 \times 7$	$\phi 1 \times 9$	$\phi 1 \times 10$
工作电压 (AC.V) Rated voltage (AC.V)	500	500	500	500	500	500	500	400	400	400
耐压 (AC.V) 1 min Test voltage (AC.V) 1 min	1500	1500	1500	1500	1500	1500	1500	1200	1200	1200
接触电阻 (m Ω) Contact resistance (m Ω)	2.5	2.5	5	2.5	2.5	2.5	5	5	5	5
线规 (mm ² /AWG) Wire size (mm ² /AWG)	$\leq 2/14$	$\leq 2/14$	$\leq 0.75/18$	$\leq 2/14$	$\leq 2/14$	$\leq 2/14$	$\leq 0.75/18$	$\leq 0.75/18$	$\leq 0.75/18$	$\leq 0.75/18$

SF20Series



单端预铸电缆-插头

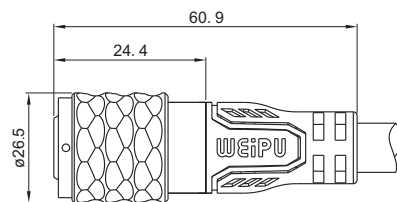
Single-Ended Cordsets--Plug

与SF2011,SF2012,SF2013,SF2015,

SF2020,SF2024相配

Mate with SF2011,SF2012,SF2013,SF2015,

SF2020,SF2024



SF2020 / P — —

SF2020 / S — —

插孔 Female contact

插针 Male contact

电缆长度Cable length:1、3、6、10(米/meter)

芯数 Number of contact

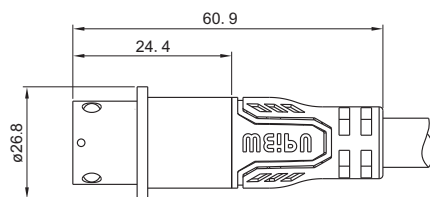


单端预铸电缆-插座

Single-Ended Cordsets--Receptacle

与SF2010,SF2015,SF2020相配

Mate with SF2010,SF2015,SF2020



SF2021 / P — —

SF2021 / S — —

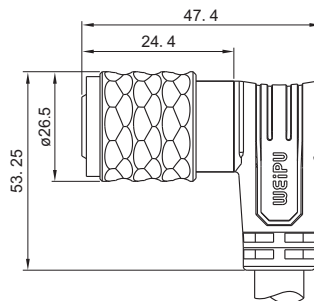


单端预铸电缆-插座

Single-Ended Cordsets--Receptacle

与SF2010,SF2015,SF2020相配

Mate with SF2010,SF2015,SF2020



SF2024 / P — —

SF2024 / S — —

芯件参数

Contact spec

如需订购其他颜色和电缆长度, 请与销售代表联系

If you need to order other color and cable length, please contact with our sales representative

芯数 Number of contact	2	3	4	5	6	6B	7	8	9	12	15
公端绝缘体正面图 Male contact face view											
额定电流(A) Rated current (A)	25	25	25	10	25 5	30 5	10	10	5	5	5
接触件直径(mm) Contact diameter(mm)	$\phi 2.5 \times 2$	$\phi 2.5 \times 3$	$\phi 2.5 \times 4$	$\phi 1.5 \times 5$	$\phi 2.5 \times 4$ $\phi 1 \times 2$	$\phi 3 \times 2$ $\phi 1 \times 4$	$\phi 1.5 \times 7$	$\phi 1.5 \times 8$	$\phi 1 \times 9$	$\phi 1 \times 12$	$\phi 1 \times 15$
工作电压(AC.V) Rated voltage(AC.V)	500	500	500	500	500	500	500	500	400	400	400
耐压(AC.V) 1 min Test voltage(AC.V) 1 min	1500	1500	1500	1500	1500	1500	1500	1500	1200	1200	1200
接触电阻(m Ω) Contact resistance(m Ω)	1	1	1	2.5	1 5	1 5	2.5	2.5	5	5	5
线规(mm ² /AWG) Wire size for solder(mm ² /AWG)	$\leq 4/11$	$\leq 4/11$	$\leq 4/11$	$\leq 2/14$	$\leq 4/11$ $\leq 0.75/18$	$\leq 4/11$ $\leq 0.75/18$	$\leq 2/14$	$\leq 2/14$	$\leq 0.75/18$	$\leq 0.75/18$	$\leq 0.75/18$



★ 接触件可以是插针或插孔
Each side can be male or female contact

材料和技术参数 Material and spec

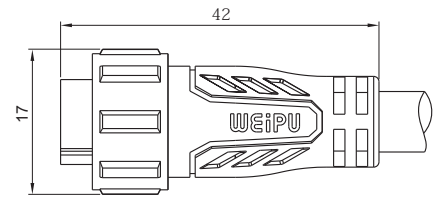
产品类型	Product model	预铸电缆连接器	Patchcord Connector
接插方式	Coupling	卡扣锁紧	Bayonet
外壳材料	Shell material	PC,PVC, 尼龙	阻燃等级:UL94 V-0 PC, PVC, Nylon fire resistance:UL94 V-0
绝缘体	Insert material	PPS	耐高温260℃ PPS max temperature 260 ℃
接触件材料	Contact material	铜镀金	Brass with gold plating
防护等级	IP rating		IP67
接插次数	Mating cycle		500
温度范围	Temperature range		-20℃~+85℃
绝缘电阻 MΩ	Insulation resistance MΩ		2000

SY11 Series



单端预铸电缆-插头
Single-Ended Cordsets--Plug

与SY1111,SY1112,SY1121,SY1124相配
Mate with SY1111,SY1112,SY1121,SY1124

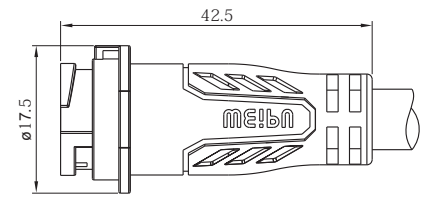


SY1120 / P — — **SY1120 / S** — —
 插孔 Female contact 插针 Male contact
 电缆长度 Cable length: 1、3、6、10 (米/meter)
 芯数 Number of contact



单端预铸电缆-插座
Single-Ended Cordsets--Receptacle

与SY1110,SY1120相配
Mate with SY1110,SY1120

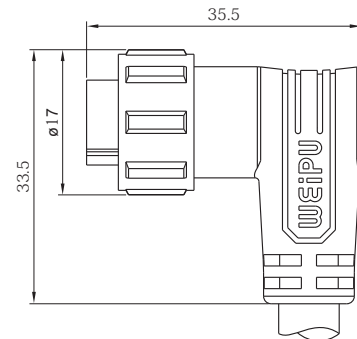


SY1121 / P — — **SY1121 / S** — —



单端预铸电缆-插座
Single-Ended Cordsets--Receptacle

与SY1110,SY1120相配
Mate with SY1110,SY1120



SY1124 / P — — **SY1124 / S** — —

芯件参数
Contact spec

如需订购其他颜色和电缆长度，请与销售代表联系

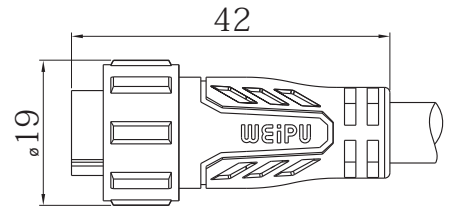
If you need to order other color and cable length, please contact with our sales representative

芯数 Number of contact	2	3	4	5
公端绝缘体正面图 Male contact face view				
额定电流 (A) Rated current (A)	5	5	3	3
接触件直径(mm) Contact diameter(mm)	∅1×2	∅1×3	∅0.7×4	∅0.7×5
工作电压 (AC.V) Rated voltage (AC.V)	180	180	125	125
耐压 (AC.V) 1 min Test voltage(AC.V) 1 min	1000	1000	1000	1000
接触电阻 (mΩ) Contact resistance(mΩ)	5	5	10	10
线规 (mm²/AWG) Wire size (mm²/AWG)	≤0.75/18	≤0.75/18	≤0.5/20	≤0.5/20

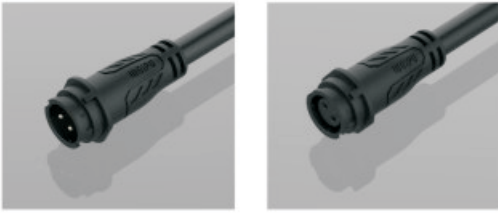
SY13 Series



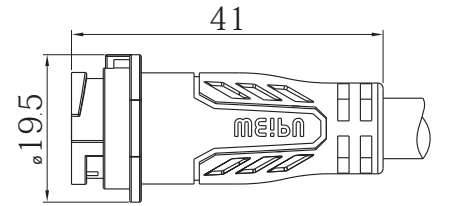
单端预铸电缆-插头
Single-Ended Cordsets--Plug
与SY1311,SY1312,SY1321,SY1324相配
Mate with SY1311,SY1312,SY1321,SY1324



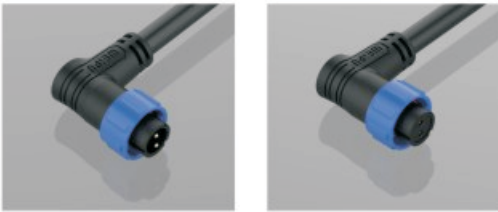
SY1320 / P — — **SY1320 / S** — —
 插孔 Female contact 插针 Male contact 电缆长度Cable length:1、3、6、10(米/meter)
 芯数 Number of contact



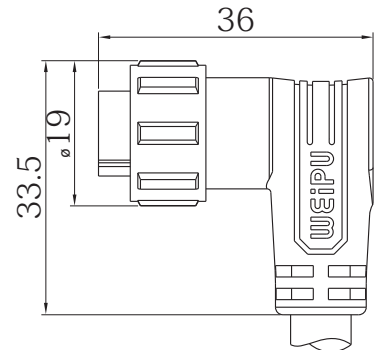
单端预铸电缆-插座
Single-Ended Cordsets--Receptacle
与SY1310,SY1320相配
Mate with SY1310,SY1320



SY1321 / P — — **SY1321 / S** — —



单端预铸电缆-插座
Single-Ended Cordsets--Receptacle
与SY1310,SY1320相配
Mate with SY1310,SY1320



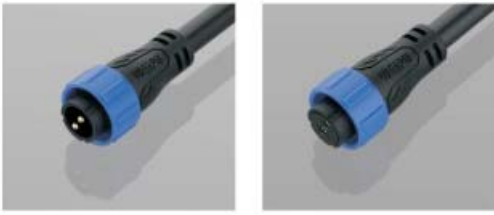
SY1324 / P — — **SY1324 / S** — —

芯件参数
Contact spec

如需订购其他颜色和电缆长度, 请与销售代表联系
If you need to order other color and cable length, please contact with our sales representative

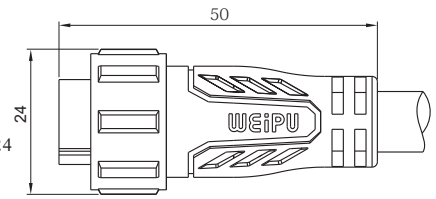
芯数 Number of contact	2	3	4	5	6	7	9
公端绝缘体正面图 Male contact face view							
额定电流 (A) Rated current (A)	13	13	5	5	5	5	3
接触件直径 (mm) Contact diameter (mm)	Ø1.6X2	Ø1.6X3	Ø1X4	Ø1X5	Ø1X6	Ø1X7	Ø0.7X9
工作电压 (AC.V) Rated voltage (AC.V)	250	250	200	180	125	125	125
耐压 (AC.V) 1 min Test voltage(AC.V) 1 min	1500	1500	1500	1000	1000	1000	1000
接触电阻 (mΩ) Contact resistance (mΩ)	2.5	2.5	5	5	5	5	10
线规 (mm ² /AWG) Wire size (mm ² /AWG)	≤2/14	≤2/14	≤0.75/18	≤0.75/18	≤0.75/18	≤0.75/18	≤0.5/20

SY17 Series



单端预铸电缆-插头
Single-Ended Cordsets--Plug

与SY1711,SY1712,SY17121,SY17124相配
Mate with SY1711,SY1712,SY1721,SY17124



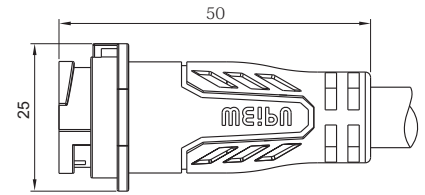
SY1720 / P — — **SY1720 / S** — —
插孔 Female contact — — 插针 Male contact

电缆长度 Cable length: 1、3、6、10 (米/meter)
芯数 Number of contact



单端预铸电缆-插座
Single-Ended Cordsets--Receptacle

与SY1710,SY1720相配
Mate with SY1710,SY1720

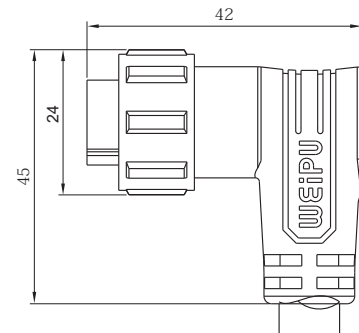


SY1721 / P — — **SY1721 / S** — —



单端预铸电缆-插座
Single-Ended Cordsets--Receptacle

与SY1710,SY1720相配
Mate with SY1710,SY1720



SY1724 / P — — **SY1724 / S** — —

芯件参数
Contact spec

如需订购其他颜色和电缆长度, 请与销售代表联系

If you need to order other color and cable length, please contact with our sales representative

芯数 Number of contact	2	3	4	2B	3B	4B	5	7	9	10
公端绝缘体正面图 Male contact face view										
额定电流 (A) Rated current (A)	10	10	5	15	15	15	5	5	5	5
接触件直径(mm) Contact diameter(mm)	∅1.5X2	∅1.5X3	∅1X4	∅2X2	∅2X3	∅2X4	∅1X5	∅1X7	∅1X9	∅1X10
工作电压 (AC.V) Rated voltage (AC.V)	500	500	500	500	500	500	500	400	400	400
耐压 (AC.V) 1 min Test voltage(AC.V) 1 min	1500	1500	1500	1500	1500	1500	1500	1200	1200	1200
接触电阻 (mΩ) Contact resistance (mΩ)	2.5	2.5	5	2.5	2.5	2.5	5	5	5	5
线规 (mm ² /AWG) Wire size (mm ² /AWG)	≤2/14	≤2/14	≤0.75/18	≤2/14	≤2/14	≤2/14	≤0.75/18	≤0.75/18	≤0.75/18	≤0.75/18



- 提供模具设计、开发与打样
- 高品质、低成本、交期准
- 欢迎定制

- Prototyping and Design
- High quality, reasonable cost and timely delivery
- Welcome to customize











扫描关注
WEIPU 微信公众号



www.weipu.cn

Edition: 202009-1