



OPTICAL CABLE FITTING PREFORMED LINE PRODUCTS

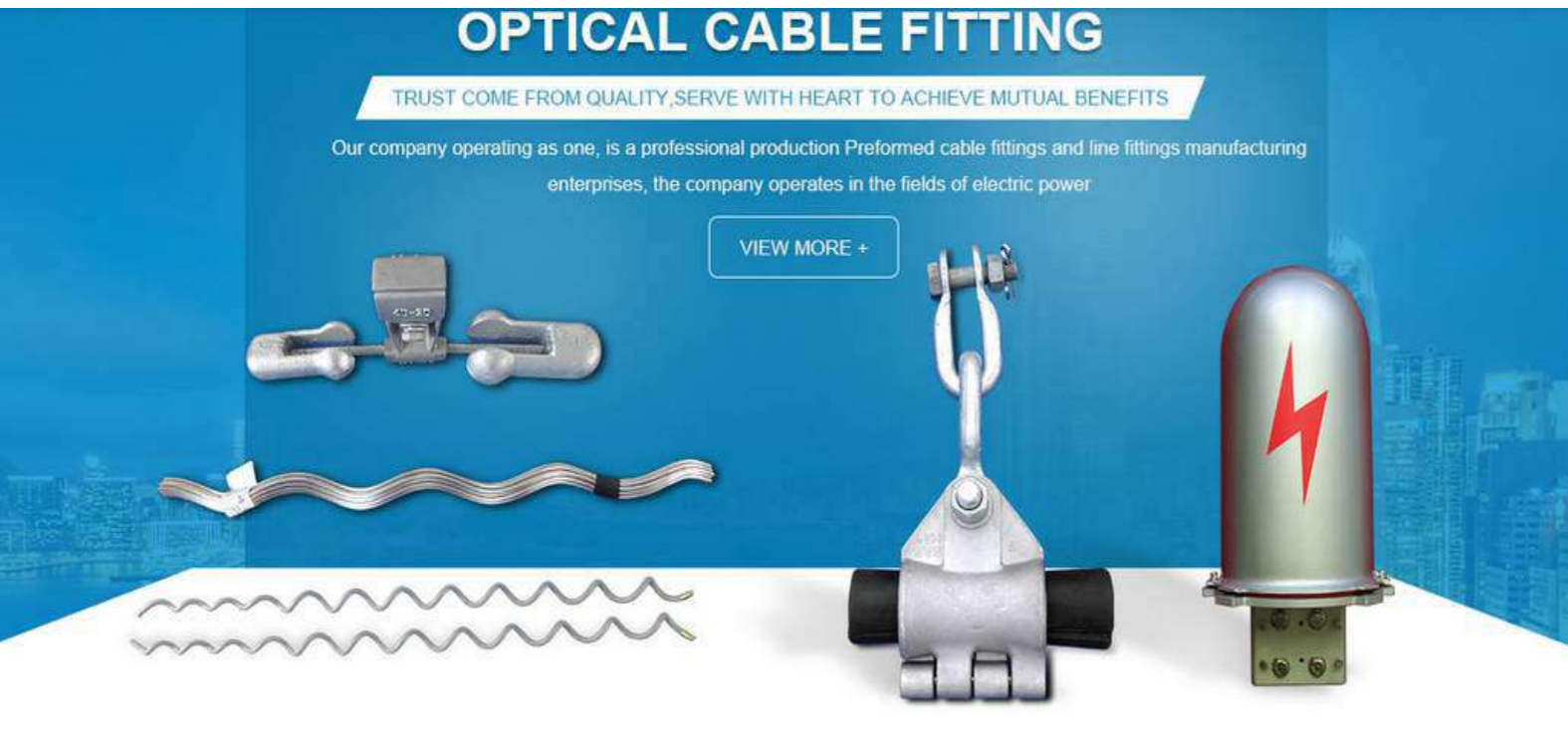
GUANGDONG CHANGCHENG COMMUNICATION TECHNOLOGY CO.,LTD



GUANGDONG CHANGCHENG COMMUNICATION TECHNOLOGY CO.,LTD

E-mail: steven@ccofc.cn
Mob.: +86 769-22211238
+86 13377766112

Address: No.1 Foling Road. Liaobu Town.
Dongguan.Guangdong.china 523000



GUANGDONG CHANGCHENG COMMUNICATION TECHNOLOGY CO.,LTD , which locates in **Dongguan City, China**. Our main products include **ADSS & OPGW accessories** such as **Tension Clamp, Suspension Clamp, Vibration Damper, Cable Joint Box, Down Lead Clamp** etc.

With many years' factory experience in the field, we have set up a unique management system for our products, which pass **ISO GB/T9001-2016/ISO9001-2015**, **Optical Cable Fitting Test Report** and strictly abide by other international normal standards.

Many Telecoms in more than 30 countries have been using our products which receive good feedback & response on the quality and our service.

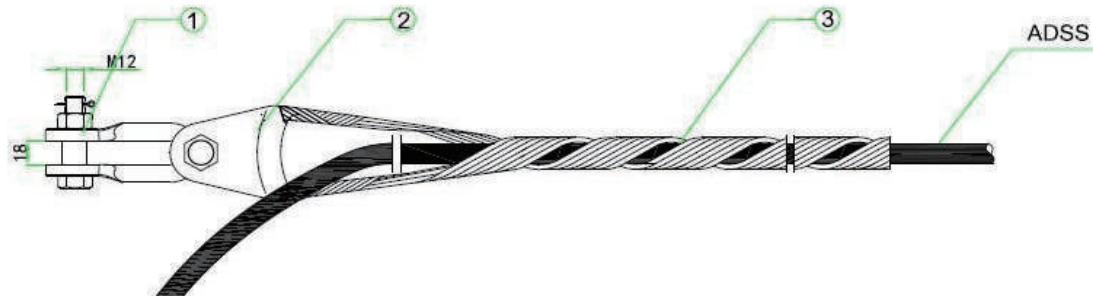
Customer First, High quality, Competitive Prices and Better Service is the policy we have been persistently pursuing these years.

Comp test report.....	3
Test report.....	4
1.Short Span ADSS Tension Set	5
2.Medium/Long Span ADSS Tension Set.....	6
3.Helical Tension set for OPGW.....	8
4.Plastic Tension Clamp.....	9
5.Short Span Suspension Set and Single Layer Suspension Set...10	
6. Suspension Set for ADSS.....	12
7.Double Suspension Sets for ADSS.....	14
8.Suspension Set for OPGW.....	15
9.Double Suspension Set for OPGW.....	17
10.Down Lead Clamp.....	18
11.Spiral Vibration Damper.....	20
12.Vibration Damper/ Armour Rod.....	21
13.Optical fiber Joint-box.....	23
14.Terminal Box/ODF Box.....	26
15.Cable Storage Assembly.....	27
16.Immobility Clamp	30
17.Link Fittings Parameter	33
18.Plastic Line Tie / Top Tie for Insulator.....	41
19.PVC Bird-Flight Diverter.....	44

1.Short Span ADSS Tension Set

◆ Usage and characteristics

The material for Short Span ADSS Tension Set is aluminum-clad steel or galvanized steel wire;it is mainly used for ADSS installation between strain tower/pole,corner tower/pole,mid-joint tower/pole and terminal tower/pole which span length is less than 100M.



1、 U-Shackle 2、 Thimble Clevis 3、 Helical Dead-end

◆ Product Specification

Type	Available Dia.of Cable(mm)		Span Length
	Min(mm)	Max(mm)	
ANJ 0950	9	9.5	Less than 100M Span
ANJ 1050	9.6	10.5	Less than 100M Span
ANJ 1160	10.6	11.6	Less than 100M Span
ANJ 1280	11.7	12.8	Less than 100M Span
ANJ 1410	12.9	14.1	Less than 100M Span
ANJ 1560	14.2	15.6	Less than 100M Span
ANJ 1700	15.7	17	Less than 100M Span

Note:

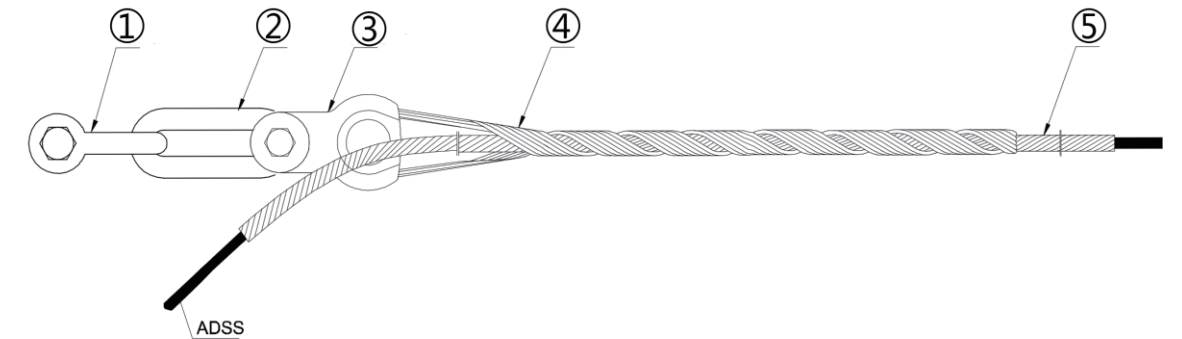
The symbol of "ANJ" means: A- ADSS cable, N-tension set, J-helical rods

If your products are beyond the above specs, we make the tailored ones for you.

2.Medium/Long Span ADSS Tension Set

◆ Usage and characteristics

Medium/Long Span ADSS Tension Set is composed of helical Dead-end and structural reinforcing rods,the materials are aluminum-clad steel or galvanized steel,it is mainly used for ADSS installation between strain tower/pole,corner tower/pole and terminal tower/pole which span length is more than 200 with RTS of the cable is larger than 15KN, Medium Span ADSS Tension set is used for installation span length between 200-400M,Long Span ADSS Tension set is used for installation span length more than 400M.



1、 U-Shackle 2、 Eye Chain Link 3、 Thimble Clevis
4、 Helical Dead-end 5、 Structural Reinforcing Rods

◆ Product Specification

Type	Available Dia. of Cable(mm)		Reference Span(m)
	Min(mm)	Max(mm)	
ANY 0940 020	8.6	9.4	200/300
ANY 1010 020	9.5	10.1	200/300
ANY 1070 020	10.2	10.7	200/300
ANY 1140 020	10.8	11.4	200/300
ANY 1220 020	11.5	12.2	200/300
ANY 1290 020	12.3	12.9	200/300
ANY 1370 020	13	13.7	200/300

Type	Available Dia. of Cable(mm)		Reference Span(m)
	Min(mm)	Max(mm)	
ANY 1140 030	10.8	11.4	300/400
ANY 1220 030	11.5	12.2	300/400
ANY 1290 030	12.3	12.9	300/400
ANY 1370 030	13	13.7	300/400
ANY 1460 030	13.8	14.6	300/400
ANY 1550 030	14.7	15.5	300/400
ANY 1220 040	11.5	12.2	400/500
ANY 1290 040	12.3	12.9	400/500
ANY 1370 040	13	13.7	400/500
ANY 1460 040	13.8	14.6	400/500
ANY 1550 040	14.7	15.5	400/500
ANY 1650 040	15.6	16.5	400/500
ANY 1370 050	13	13.7	500/600/700
ANY 1460 050	13.8	14.6	500/600/700
ANY 1550 050	14.7	15.5	500/600/700
ANY 1650 050	15.6	16.5	500/600/700
ANY 1370 060	13	13.7	600/700/800
ANY 1460 060	13.8	14.6	600/700/800
ANY 1550 060	14.7	15.5	600/700/800
ANY 1650 060	15.6	16.5	600/700/800
ANY 1460 070	13.8	14.6	700/800/900
ANY 1550 070	14.7	15.5	700/800/900
ANY 1650 070	15.6	16.5	700/800/900
ANY 1750 070	16.6	17.5	700/800/900
ANY 1870 070	17.6	18.7	700/800/900
ANY 1550 080	14.7	15.5	800/900/1000
ANY 1650 080	15.6	16.5	800/900/1000
ANY 1750 080	16.6	17.5	800/900/1000
ANY 1870 080	17.6	18.7	800/900/1000

Note:

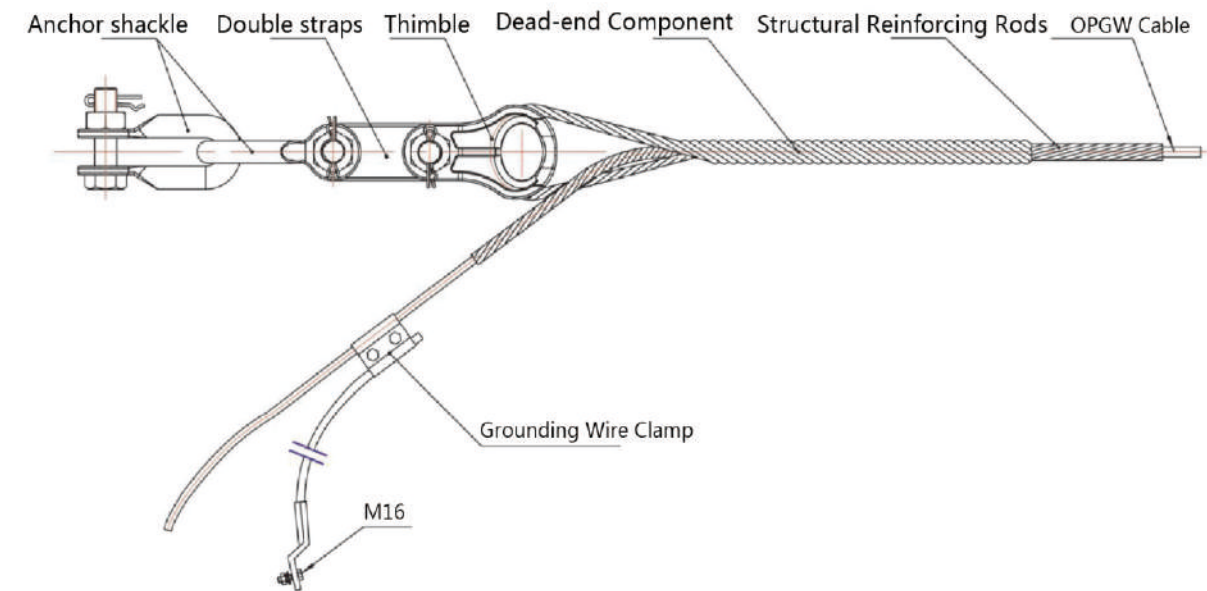
The symbol of "ANY" means: A- ADSS cable, N-tension set, Y-helical rods

If your products are beyond the above specs, we make the tailored ones for you.

3. Helical Tension Set for OPGW

◆ Usage and characteristics

Helical Tension Set OPGW is mainly used for installation of cable with less than 160KN RTS onto tension tower/pole, corner tower/pole, and terminal tower/pole. A complete set of OPGW Helical Tension Set includes Aluminum Alloy or Aluminum or Aluminum-Clad steel Dead-end, Structural Reinforcing Rods, Supporting fittings and Grounding wire Clamps etc.



◆ Product Specification

Type	Available Dia. of Cable(mm)		Failing Load(KN)
	Min.(mm)	Max.(mm)	
ONY-0780	7.2	7.8	70
ONY-0880	7.9	8.8	70
ONY-1010	8.9	10.1	70
ONY-1140	10.2	11.4	80
ONY-1280	11.5	12.8	90
ONY-1410	12.9	14.1	100
ONY-1550	14.2	15.5	110
ONY-1730	15.6	17.3	120
ONY-1920	17.4	19.2	160
ONY-2110	19.3	21.1	160

4. Plastic Tension Clamp

◆ Usage and characteristics

This Conical wedge clamp composed of an opened thermoplastic body with very high mechanical and climatic resistance, an inner sheath consisting one or two insulating plastic wedges ensuring the clamping of the neutral messenger without damaging cable insulation. Two stainless steel bail ends are compressed on it to lock into clamp. Simple assembling because the wedges open by pulling them back. The flexible steel loop can be fixed into a closed eye bracket.



◆ Product Specification

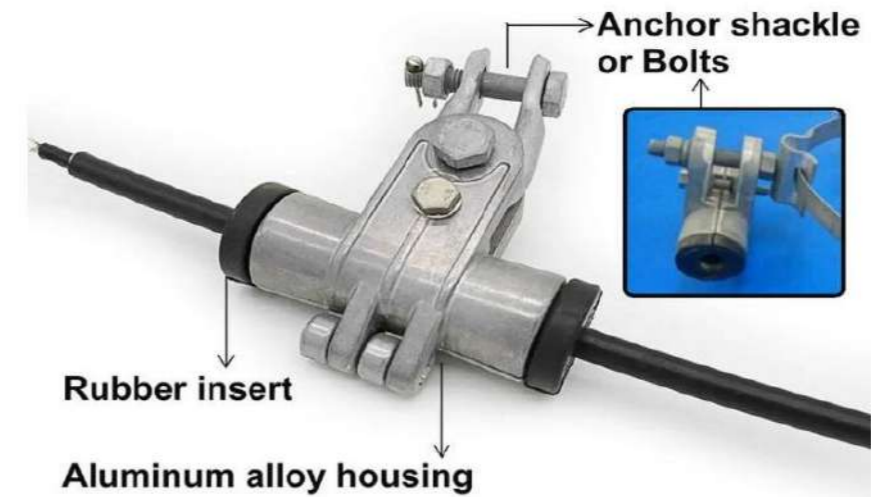
Type	Available Dia.Of Canle(mm)
PA1500	25-50
PA2000	54.6-70

5. Short Span Suspension Set and Single Layer Suspension Set

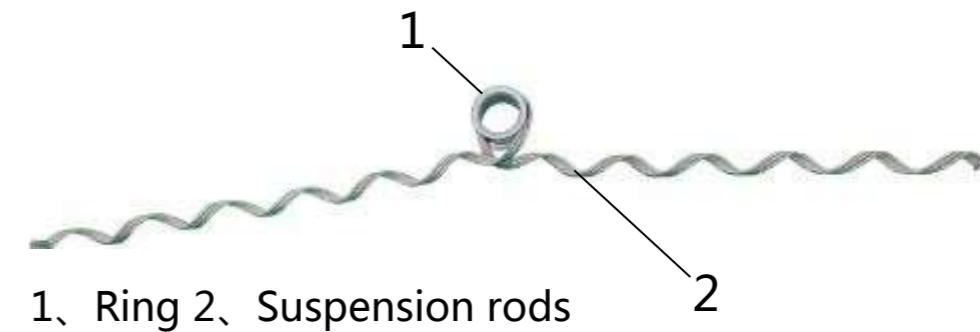
◆ Usage and characteristics

Short Span Suspension Set for ADSS cable is mainly used for span length within 100M; Single Layer Suspension Set is mainly used for span length between 100M and 200M.

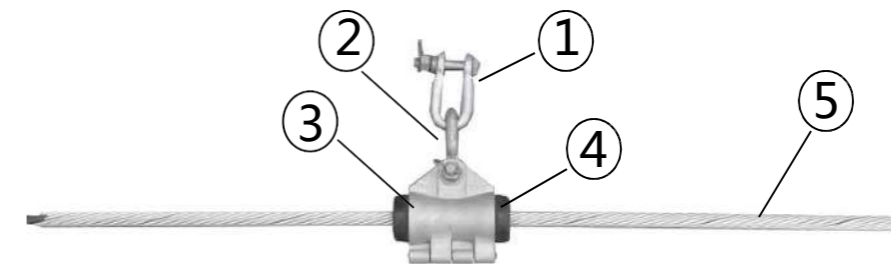
5.1 Tangent Clamp for ADSS (Span less than 100M)



5.2 Ring type Suspension for ADSS (Span less than 100M)



5.3 Single Layer Suspension for ADSS (Suitable for Span length 200M)



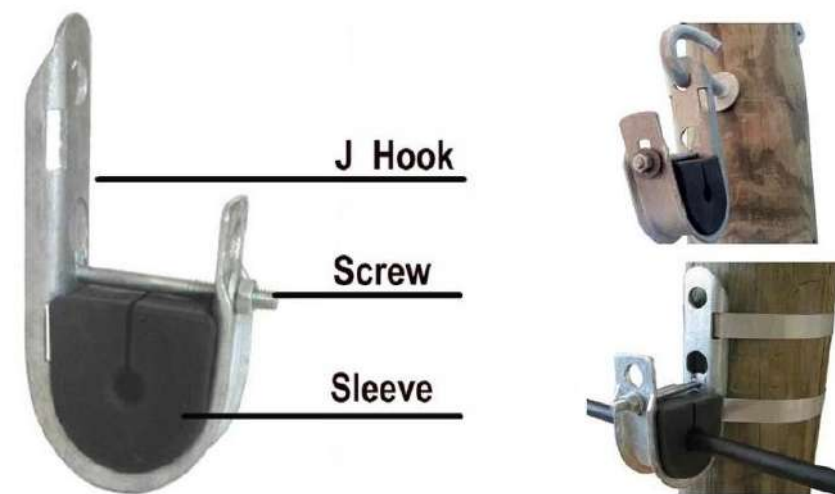
1、 U-Shackle 2、 Eye Chain link 3、 Aluminum housing
4、 Rubber inser 5、 Helical Dead-end

◆Product Specification

Item	Type	Available Dia of Cable(mm)	Available Span(M)
Tangent Clamp for ADSS	AXQ-1110	9.0-11.1	100
	AXQ-1330	11.2-13.3	100
	AXQ-1550	13.4-15.5	100
Ring type Suspension for ADSS	AXH 1080	10.2-10.8	100
	AXH 1150	10.9-11.5	100
	AXH 1220	11.6-12.2	100
	AXH 1290	12.3-12.9	100
	AXH 1360	13.0-13.6	100
	AXH 1430	13.7-14.3	100
Single layer Helical rods tangent clamp for ADSS	AXD-1010	9.7-10.1	200
	AXD-1060	10.2-10.6	200
	AXD-1110	10.7-11.1	200
	AXD-1160	11.2-11.6	200
	AXD-1170	11.7-11.7	200
	AXD-1200	11.8-12.0	200
	AXD-1270	12.1-12.7	200
	AXD-1290	12.8-12.9	200
	AXD-1360	13.0-13.6	200
	AXD-1410	13.7-14.1	200
	AXD-1430	14.2-14.3	200
	AXD-1450	14.4-14.5	200
AXD-1510	14.6-15.1	200	

5.4 J-hook suspension clamp for ADSS

The J hook suspension clamp is used for the direct suspension of round ADSS cables with Ø10 to 20mm which span length is less than 100M with straight poles.



◆Product Specification

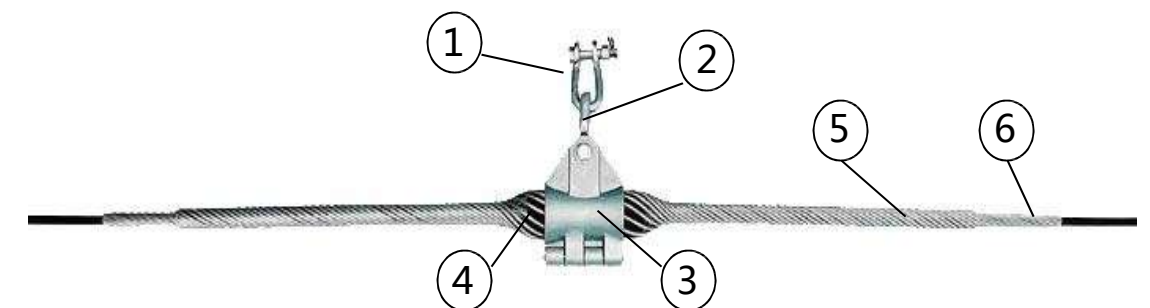
Type	Cable dia(mm)	Fail in load(KN)
PT-1015	10-15	5
PT-1520	15-20	5

6. Suspension Set for ADSS

◆Usage and characteristics

If Suspension Set for ADSS is adopted double layers helical rods designing, it is generally used for 300M-400M span length ADSS installation, which clamp break strength is less than 70KN, grip strength is less than 15% -20% RTS of the cable.

It is composed of aluminum alloy and aluminum-clad steel helical rods ,Aluminum housing and other link fittings.



- 1、 U-Shackle 2、 Eye Chain link 3、 Aluminum housing
- 4、 Rubber insert 5、 Outer Rods 6、 Structural Reinforcing Rods

◆Product Specification

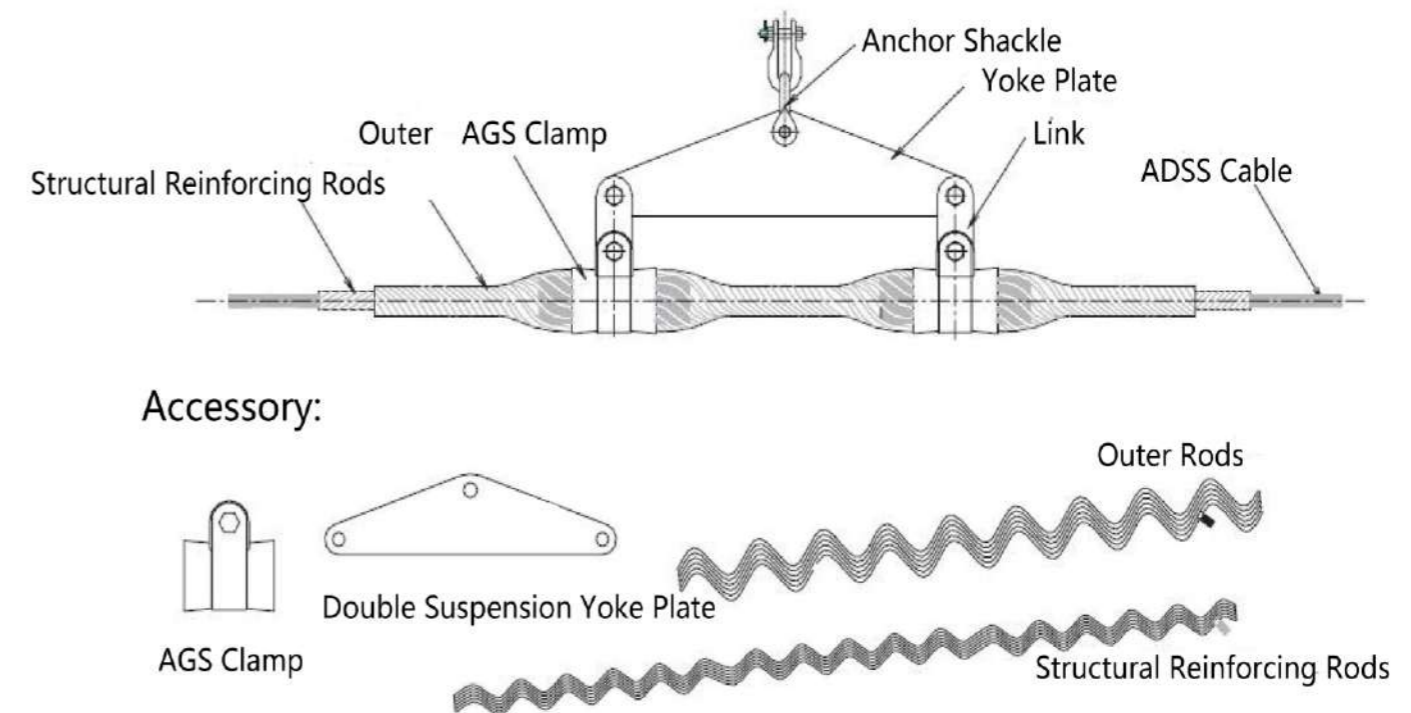
Type	Available Dia of Cable(mm)		Available Span(M)
	Min.(mm)	Max.(mm)	
AXY-1010 300	9	10.1	200/300
AXY-1110 300	10.2	11.1	200/300
AXY-1210 300	11.2	12.1	200/300
AXY-1310 300	12.2	13.1	200/300
AXY-1410 300	13.2	14.1	200/300
AXY-1510 300	14.2	15.1	200/300
AXY-1610 300	15.2	16.1	200/300
AXY-1010 400	9	10.1	300/400
AXY-1110 400	10.2	11.1	300/400
AXY-1210 400	11.2	12.1	300/400
AXY-1310 400	12.2	13.1	300/400
AXY-1410 400	13.2	14.1	300/400
AXY-1510 400	14.2	15.1	300/400
AXY-1610 400	15.2	16.1	300/400
AXY-1210 500	11.2	12.1	400/500
AXY-1310 500	12.2	13.1	400/500
AXY-1410 500	13.2	14.1	400/500
AXY-1510 500	14.2	15.1	400/500
AXY-1610 500	15.2	16.1	400/500
AXY-1210 600	11.2	12.1	500/600
AXY-1310 600	12.2	13.1	500/600
AXY-1410 600	13.2	14.1	500/600
AXY-1510 600	14.2	15.1	500/600
AXY-1610 600	15.2	16.1	500/600
AXY-1410 800	13.2	14.1	700/800
AXY-1510 800	14.2	15.1	700/800

Type	Available Dia of Cable(mm)		Available Span(M)
	Min.(mm)	Max.(mm)	
AXY-1610 800	15.2	16.1	700/800
AXY-1710 800	16.2	17.1	700/800
AXY-1810 800	17.2	18.1	700/800
AXY-1610 1000	15.2	16.1	900/1000
AXY-1710 1000	16.2	17.1	900/1000
AXY-1810 1000	17.2	18.1	900/1000
AXY-1910 1000	18.2	19.1	900/1000

7.Double Suspension Sets for ADSS

◆Usage and characteristics

Double Suspension Set is mainly used for ADSS installation on pole/tower with large falling head. The span length is more than 800M or cable corner is more than 30°



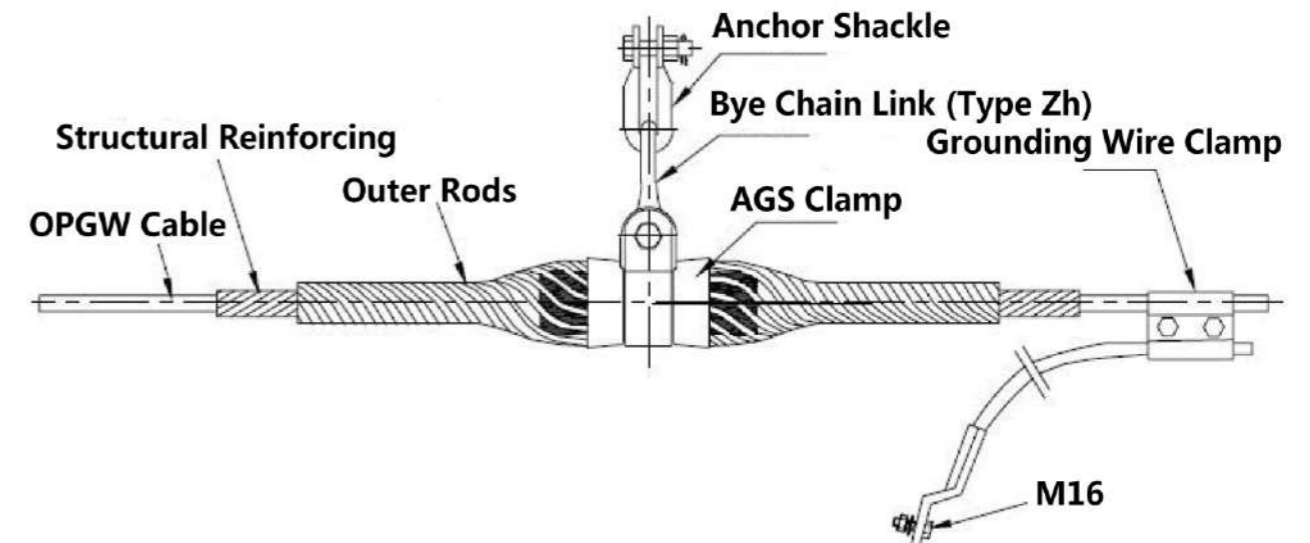
◆ Product Specification

Type	Available Dia of Cable(mm)	
	Min.(mm)	Max.(mm)
AXS-1010	9.7	10.1
AXS-1060	10.2	10.6
AXS-1110	10.7	11.1
AXS-1160	11.2	11.6
AXS-1170	11.7	11.7
AXS-1200	11.8	12
AXS-1270	12.1	12.7
AXS-1290	12.8	12.9
AXS-1360	13	13.6
AXS-1410	13.7	14.1
AXS-1430	14.2	14.3
AXS-1450	14.4	14.5
AXS-1510	14.6	15.1
AXS-1580	15.2	15.8
AXS-1600	15.9	16
AXS-1690	16.1	16.9
AXS-1730	17	17.3
AXS-1800	17.4	18
AXS-1880	18.1	18.8

8.Suspension Set for OPGW

◆ Usage and characteristics

Helical Suspension Set is mainly used for hanging and supporting optical fiber cable on straight pole and tower, to transmit axial load and divert axial pressure which provide well protection for optical cable, to avoid emergencies happen such as too small bending radius or stress concentration. Grip strength of the Suspension Set is larger than 15%-20% rated tensile strength of the cable, which is fatigue resistance and can serve as vibration reduction.



◆ Product Specification

Type	Available Dia. of Cable(mm)		Length of Structural Reinforcing Rods(mm)	Length of Outer Rods(mm)
	Min.(mm)	Max.(mm)		
OXY-0800	7.4	8	1650	1100
OXY-088	8.1	8.8	1650	1100
OXY-0960	8.9	9.6	1690	1140
OXY-1010	9.7	10.1	1690	1140
OXY-1060	10.2	10.6	1690	1140
OXY-1110	10.7	11.1	1720	1140
OXY-1160	11.2	11.6	1760	1180
OXY-1170	11.7	11.7	1840	1240
OXY-1200	11.8	12	1840	1240
OXY-1270	12.1	12.7	1840	1240
OXY-1290	12.8	12.9	1860	1240
OXY-1360	13	13.6	1960	1320
OXY-1410	13.7	14.1	1960	1320
OXY-1430	14.2	14.3	2000	1320
OXY-1450	14.4	14.5	2000	1440
OXY-1510	14.6	15.1	2120	1440

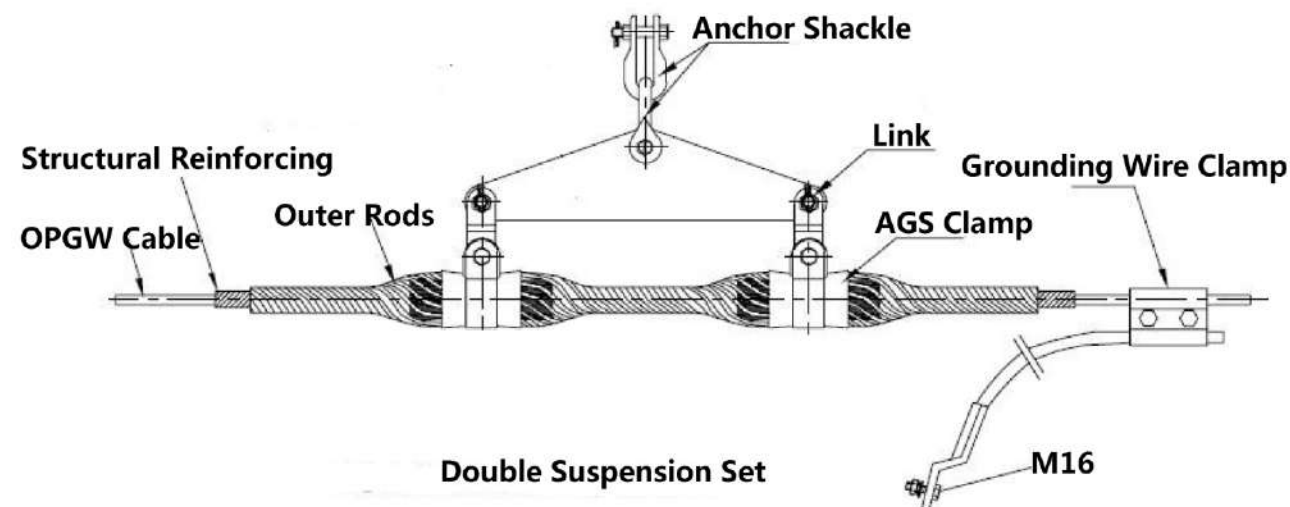
Type	Available Dia. of Cable(mm)		Length of Structural Reinforcing Rods(mm)	Length of Outer Rods(mm)
	Min.(mm)	Max.(mm)		
OXY-1580	15.2	15.8	2120	1440
OXY-1600	15.9	16	2180	1620
OXY-1690	16.1	16.9	2400	1620
OXY-1730	17	17.3	2400	1620
OXY-1800	17.4	18	2400	1620
OXY-1840	18.1	18.4	2400	1620
OXY-1880	18.5	18.8	2400	1620
OXY-1890	18.9	18.9	2400	1620
OXY-1990	19	19.9	2400	1620

9. Double Suspension Set for OPGW

◆ Usage and characteristics

OPGW Double Helical Tension Set is special designed for cable installation and supporting on straight pole and tower with large span length, high falling head and line angle large than 30°, where the cable RTS is larger than 160KN.

The whole set is composed of inner reinforcing rods, and outer Dead-ends, two sets of suspension housing, link fittings and grounding clamps.



◆ Product Specification

Type	Available Dia of Cable(mm)		RTS of Cable(KN)
	Min.(mm)	Max.(mm)	
ONS-170/1530	14.1	15.3	170
ONS-170/1660	15.4	16.6	170
ONS-170/1790	16.7	17.9	170
ONS-210/1660	15.4	16.6	210
ONS-210/1790	16.7	17.9	210
ONS-210/1920	18	19.2	210
ONS-250/1790	16.7	17.9	250
ONS-250/1920	18	19.2	250
ONS-250/2050	19.3	20.5	250
ONS-320/1920	18	19.2	320
ONS-320/2050	19.3	20.5	320
ONS-400/2050	19.3	20.5	400
ONS-400/2180	20.6	21.8	400

10. Down Lead Clamp

◆ Usage and characteristics

Down Lead Clamp is used for fixation of OPGW and ADSS onto the pole/tower. It is suitable for all kinds of cable diameter; the installation is reliable, convenient and fast.

Down Lead Clamp is divided into two basic types: pole used and tower used. Each basic type is divided into elector-insulating rubber and metal type.

Elector-insulating rubber type Down Lead Clamp is generally used for ADSS installation, while metal type Down Lead Clamp is generally used for OPGW installation.



Rubber type Down Lead Clamp for pole



Metal type Down Lead Clamp for pole



Rubber type Down Lead Clamp for tower



Metal type Down Lead Clamp for tower

◆ Product Specification

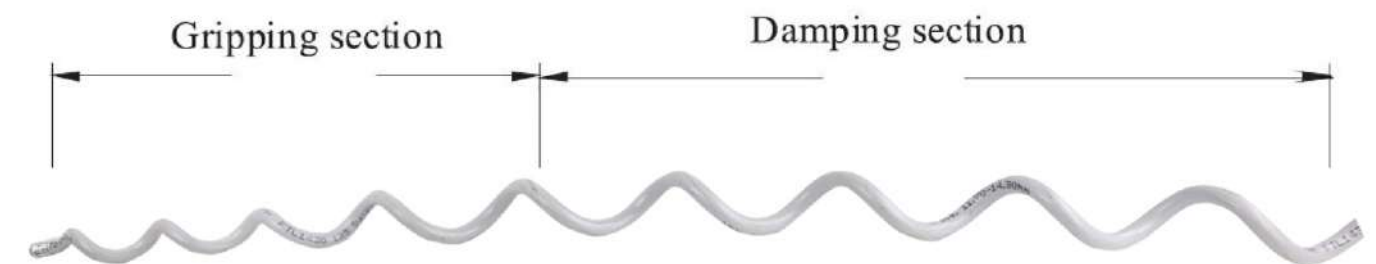
Item	Type	Available Dia.of Cable(mm)	Note
Rubber type Down Lead Clamp for tower	TGY 1110-T	9.0-11.1	For ADSS Cable
	TGY 1330-T	11.2-13.3	
	TGY 1550-T	13.4-15.5	
	TGY 1800-T	15.6-18.0	
Metal type Down Lead Clamp for tower	TGY 240-T	7.4-20.0	For OPGW Cable
Rubber type Down Lead Clamp for pole	TGY 1110-H*	9.0-11.1	For ADSS Cable
	TGY 1330-H*	11.2-13.3	
	TGY 1550-H*	13.4-15.5	
	TGY 1800-H*	15.6-18.0	
Metal type Down Lead Clamp for pole	TGY 240-H*	7.4-20.0	For OPGW Cable

11.Spiral Vibration Damper

◆ Usage and characteristics

Spiral Vibration Damper is made of engineering plastic which is high strength,aging resistance and high elastic;it will not cause any mechanical damage to the optical fiber caber.

Spiral Vibration Damper is widely used in ADSS cable installation.It is composed of a short part of gripping section and a long damping section. The gripping section can effectively close upon the cable to make sure the spiral vibration damper to fix on the cable firmly; the damping section consume the vibration energy through mutual crash with the cable so that the windy vibration on the cable can be weaken.



◆ Product Specification

Model	Dia.Range(mm)	Length(mm)	Weight(kg)
FTL 1170 130	8.30-11.70	1300	0.28
FTL 1430 135	11.71-14.30	1350	0.3
FTL 1930 167	14.31-19.30	1670	0.66

Note:Recommend Allocation number of spiral vibration damper

Span(m)	Recommend Qty/Span
< 100	0
100-250	2
250-400	4
400-800	6
800-1000	8

12.Vibration Damper/ Armour Rod

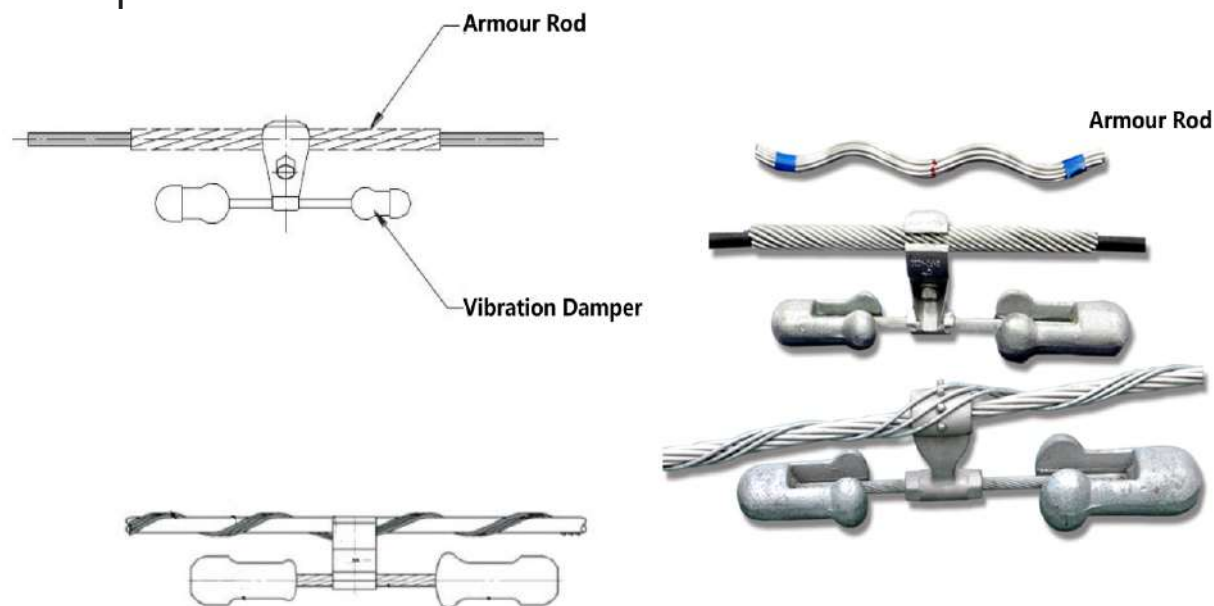
◆Usage and characteristics

4D Vibration damper is composed of two different weight hammers stranded galvanization steel wire with high elasticity and high-intensity, and aluminum alloy clamp.

The 4D series Vibration dampers we provided are Stock-bridge Tuning Fork,with four resonant frequencies ,the frequency range is from 3Hz to 150Hz.with wide frequency range ,the 4D vibration damper can highly consume vibration energy,and effectively dissipate the energy caused by cable Aeolian vibration,reduce cable vibration horizontal ,extend the cable service life.

Vibration Damper can be installed on both OPGW and ADSS cable.Armor rods are needed when it is installed on OPGW and ADSS cable

Armor rods are also called Vibration damper hyperactive rods .Because of the concentrated stress,vibrationdamper will cause some damages to the cable.the armor rods provide proper stress distribution on the optical cable and protect the cable



◆ Recommend allocation of vibration damper for OPGW

Cable Dia.(mm)	Span			
D < 12	100-300	300-600	600-900	
12 ≤ D < 12	100-350	350-700	700-1000	1000-1200
Recommend quantity of vibration damper/span	2	4	6	8

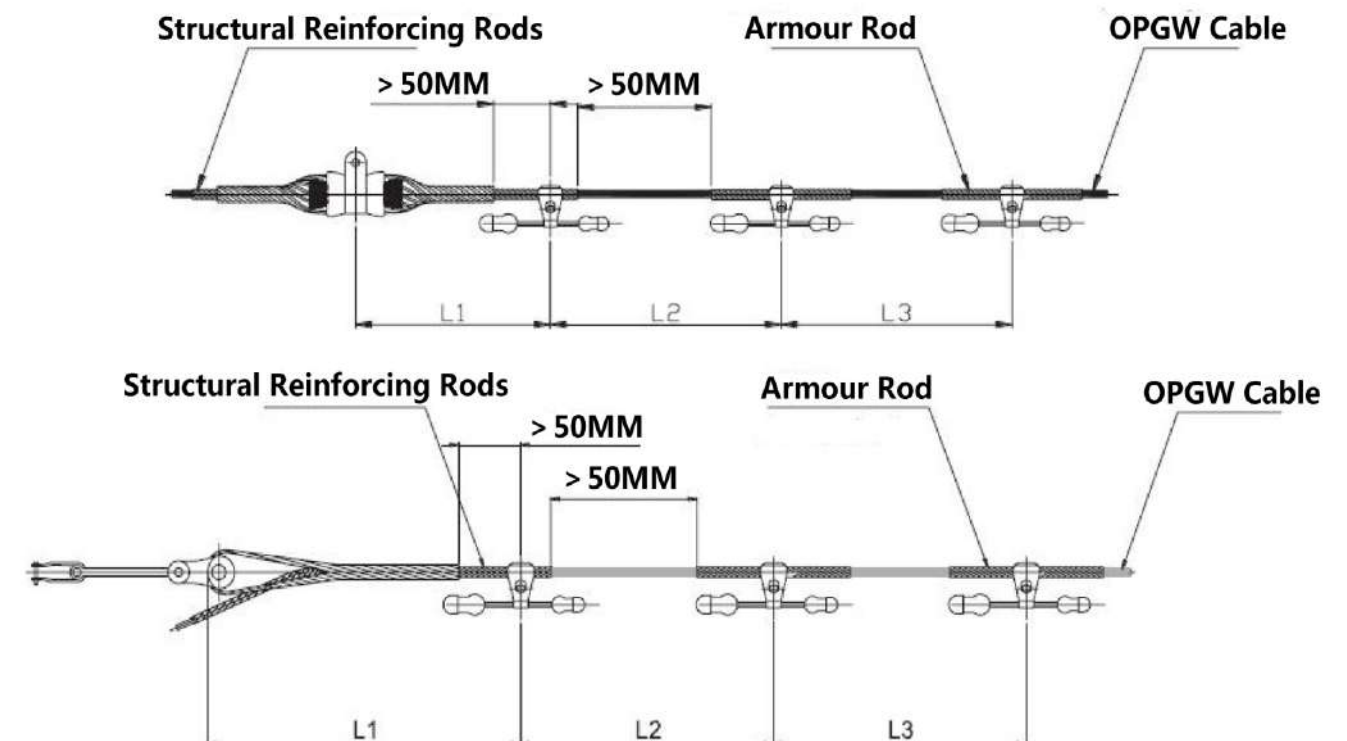
◆ Recommend allocation of vibration damper for ADSS

Cable Dia.(mm)	Span			
D < 12	100-250	250-450	450-700	
12 ≤ D < 12	100-250	250-500	500-800	800-1000
Recommend quantity of vibration damper/span	2	4	6	8

◆ Product Specification

Model	Clamp Dia.Range(mm)	
	Min.(mm)	Max.(mm)
4D-20-14.0	12.2	14
4D-20-16.0	14	16
4D-20-18.0	15	18
4D-20-20.3	16.5	20.3
4D-20-23.4	19.5	23.4

Installation Hint



13. Optical fiber Joint-box

◆ Usage and characteristics

Optical fiber joint box is used for protecting the optical fiber fusion splicing head between two different optical cables; a reserved section of optical fiber will be kept in the box for maintenance purpose.

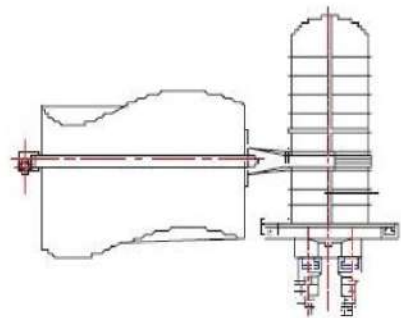
It has some excellent performances such as good sealing property, waterproof, moisture-resistant and incorrodible after being installed on the electric power line.

In according to environmental conditions, Optical fiber joint box is divided into Joint-box for pole and Joint box for tower; in according to the different shell material, it is divided into plastic Joint box and Metal Joint box.

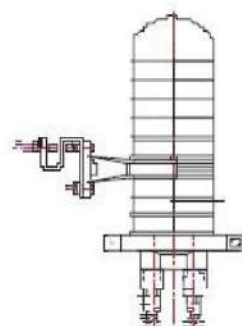
1) Plastic Joint box is used for ADSS Cable

2) Compare with Plastic Joint box, Metal Joint box has many obvious advantages as mechanical strength, leak tightness and corrosion resistance. It's usually used for OPGW

◆ Product Specification for Plastic Joint Box



Cap-type Plastic Joint Box for Pole

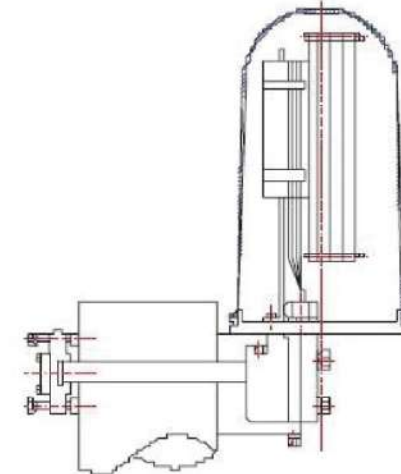


Cap-type Plastic Joint Box for Tower

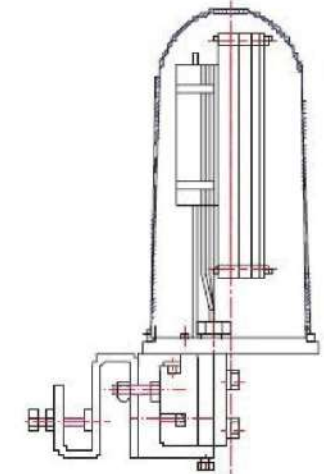


Name	Model	Core	Remark
Input-1, Output-1 for ADSS Plastic Joint Box for Pole	AJS 02-048-H*	8-48	
	AJS 02-096-H*	48-96	
Input-2, Output-2 for ADSS Plastic Joint Box for Pole	AJS 04-048-H*	8-48	Also Suitable for Input-2, Output-1
	AJS 04-096-H*	48-96	
Input-1, Output-1 for ADSS Plastic Joint Box for Tower	AJS 02-048-T	12-48	
	AJS 02-096-T	48-96	
Input-2, Output-2 for ADSS Plastic Joint Box for Tower	AJS 04-048-T	12-48	Also Suitable for Input-2, Output-1
	AJS 04-096-T	48-96	

◆ Product Specification for Metal Joint Box



Cap-type Metal Joint Box for Pole



Cap-type Metal Joint Box for Tower



Name	Model	Core	Remark
Input-1,Output-1 Metal Joint Box for Pole	PJJ 02-048-H*	8-48	For ADSS and OPGW
	PJJ 02-096-H*	48-96	
Input-2,Output-2 Metal Joint Box for Pole	PJJ 04-048-H*	8-48	Also Suitable for Input-2,Output-1
	PJJ 04-096-H*	48-96	
Input-1,Output-1 Metal Joint Box for Tower	PJJ 02-048-T	12-48	For ADSS and OPGW
	PJJ 02-096-T	48-96	
Input-2,Output-2 Metal Joint Box for Tower	PJJ 04-048-T	12-48	Also Suitable for Input-2,Output-1
	PJJ 04-096-T	48-96	

Note:

- 1) 02/04 Cable ports, no more than 6
- 2) H*---Dia. of pole (mm)

Model	H1	H2	H3	H4	H5
Suitable for Max Dia. For pole (mm)	310	460	600	800	1000

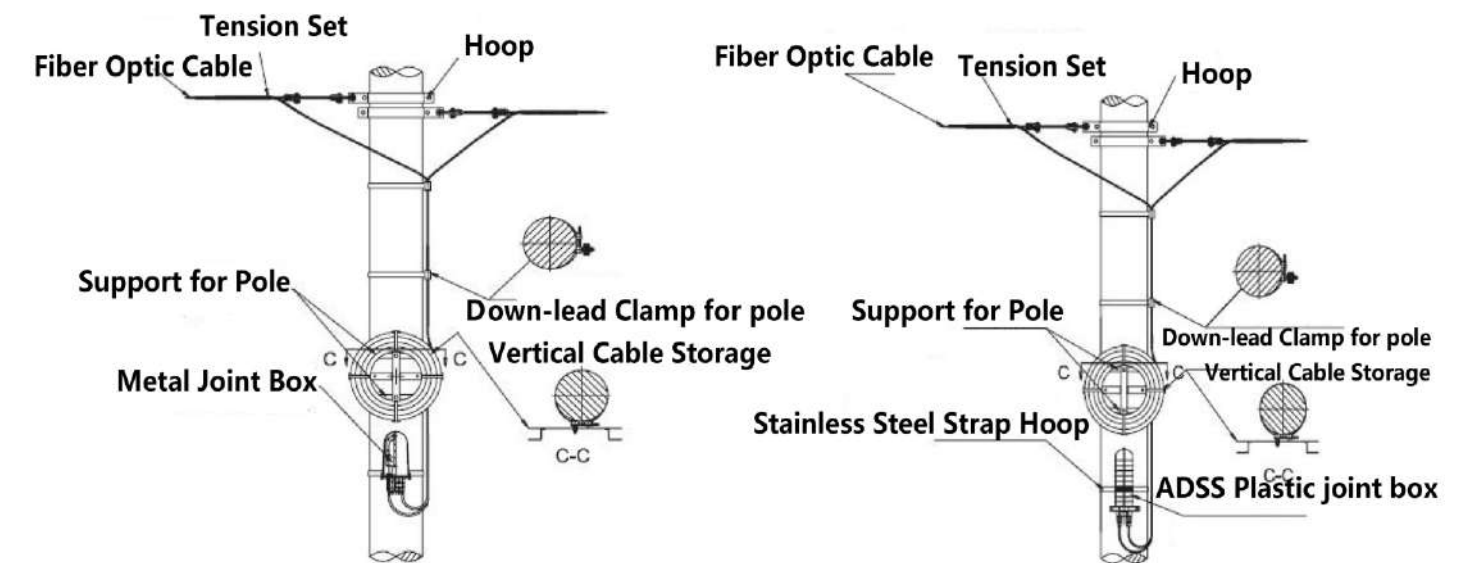
◆ Product Specification for Horizontal type Joint box



Name	Model	Core	Remark
Horizontal type Joint- Box	PJXH 04-048	8-48	Input-2,Output-2

Note:

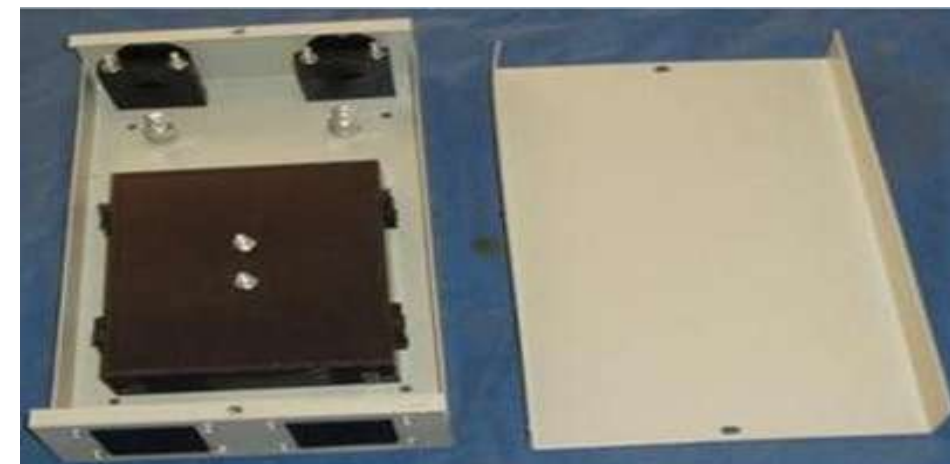
The common structure for joint box is Input-2,Output-2, 48 fibers. More ports and more fibers structure is available in according to customer requirements.



14. Terminal Box/ODF Box

◆ Usage and characteristics

Terminal Box is mainly used for optic fiber cable terminal fixation, fusion between optic fiber cable and pigtail, storage and protection of the reserved optic fiber. Generally, terminal box is including two performance structures, one is full accessories structure, and the other is empty match structure.



◆ Product Specification

Name	Model	Cable Core	Materials
Terminal Box	TJZ 12-72	12-72	Steel

ODF BOX



Fiber Capacity of panel	12-144 core(12 24 48 port usually)
Panel Connector	SC LC ST FC
Type	Sliding Fixed
Dimension	19" 1U/2U/3U/4U...
Material	Cold Rolled Steel or Aluminum
Storage Temperature	-45~+65°C
Thickness	1.0 1.2 mm
1.0 1.2 mm	Cable ties, mounting ear screws, and spiral wrap tube

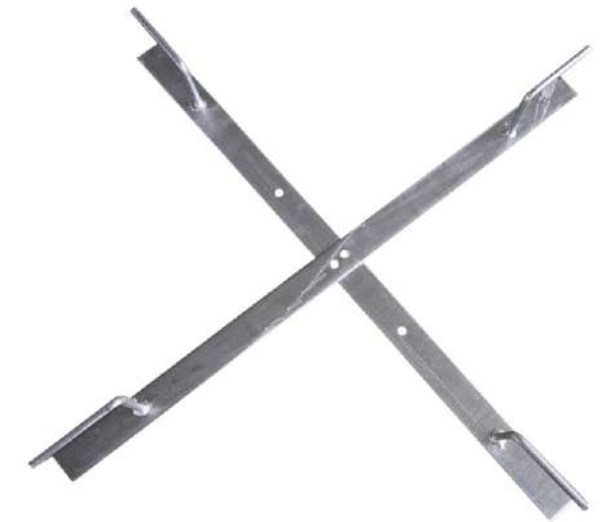
15.Cable Storage Assembly

◆ Usage and characteristics

Cable Storage Assembly is used for storage of reserved optical fiber cable. it is divided into inserted type storage and outside coil type storage.they are generally installed on the strain tower and pole.



Inserted type storage



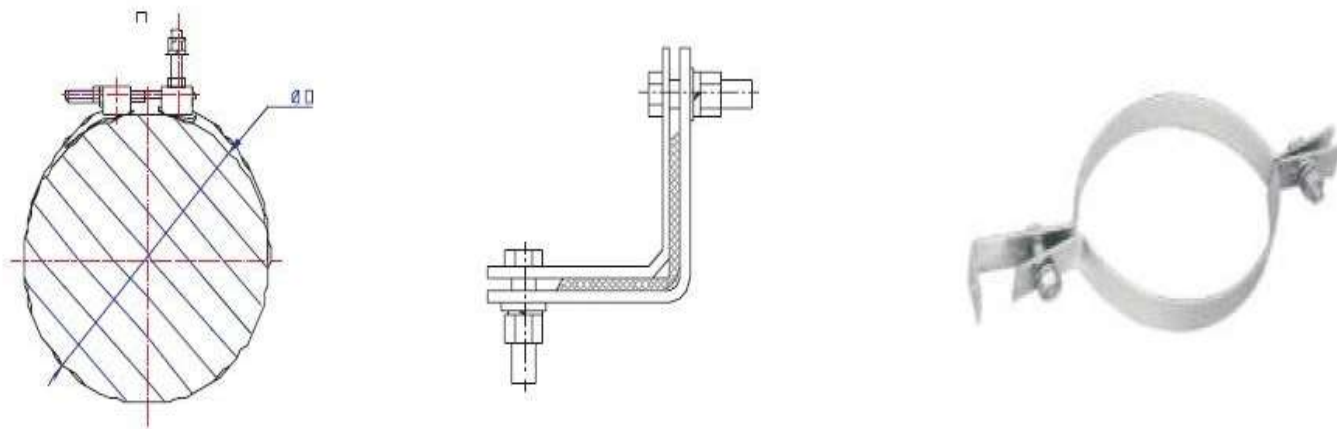
Outside coil type stoilage

◆ Specification of Cable Storage Assembly

Name	Model	Collocat	Remark1	Remark2
Cable Storage Assembly	TJY 660-T	Small clamp	Inserted type storage	Suit for ADSS,cable dia \leq 14.8mm
	TJY 900-T			Suit for ADSS,cable dia > 14.8mm
	TJYN-1030-T		Outside coil type storage	Suit for OPGW,cable dia \leq 14.8mm
Cable Storage Assembly	TJY 660-H**	Pillar for pole	Inserted type storage	Suit for ADSS,cable dia \leq 14.8mm
	TJY 900-H**			Suit for ADSS,cable dia > 14.8mm
	TJYN-1030-H**		Outside coil type storage	Suit for OPGW,cable dia \leq 14.8mm

◆ Accessories for Cable Storage Assembly

Usage: Bracket for pole is used to fix Cable Storage Assembly on the pole;Small Clamp is used to fix Cable Storage Assembly on the tower.



Support for Pole (sheet 15.1) ; Small Splint(sheet 15.2) ; Elbow Hoop(15.3)

◆ Product Specification for Support for Pole(15.1)

Name	Model	Pole Dia.(mm)
Support for Pole	TJY-H1	150-310
Support for Pole	TJY-H2	311-460
Support for Pole	TJY-H3	461-600
Support for Pole	TJY-H4	601-800
Support for Pole	TJY-H5	801-1000

◆ Product Specification for Small Splint(15.2)

Name	Model	Angle Iron Dimension for Iron Tower(mm)
Small Splint	TJB-70	≤70
Small Splint	TJB-100	71-100
Small Splint	TJB-150	101-150

◆ Product Specification for Elbow Hoop(15.3)

Name	Model	Suitable Range	weight (kg)	Material	Failing Load(kN)
Elbow Hoop	TGQ 175 070	151-175mm	2.7	galvanized steel	70
	TGQ 200 070	176-200mm	2.9		70
	TGQ 225 070	201-225mm	3.2		70

Name	Model	Suitable Range	weight (kg)	Material	Failing Load(kN)
Elbow Hoop	TGQ 250 070	226-250mm	3.4	galvanized steel	70
	TGQ 275 070	251-275mm	3.6		70
	TGQ 300 070	276-300mm	3.8		70
	TGQ 325 070	301-325mm	4		70
	TGQ 350 070	326-350mm	4.3		70
	TGQ 375 070	351-375mm	4.5		70
	TGQ 400 070	376-405mm	4.7		70

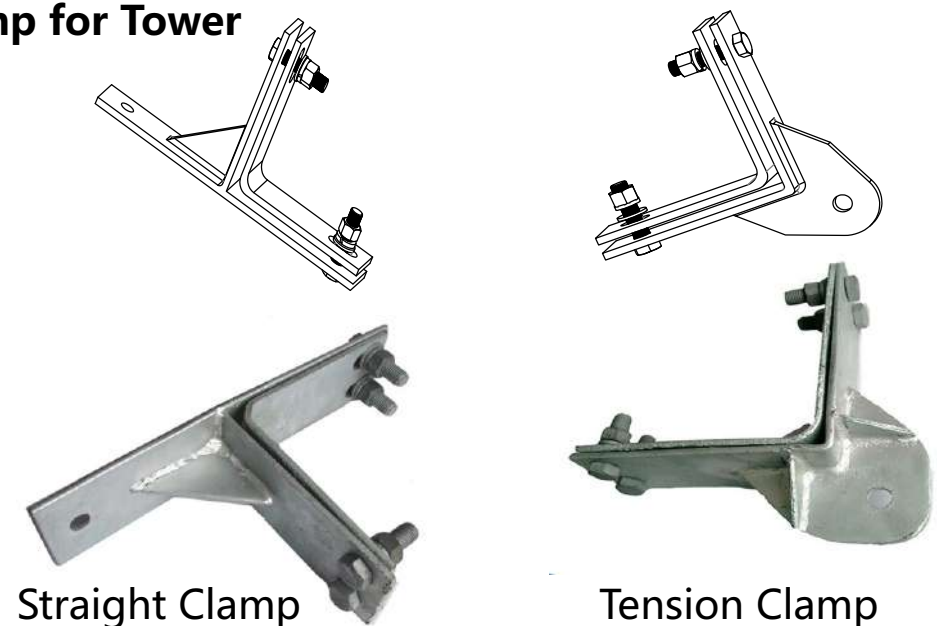
16. Immobility Clamp

◆ Usage and characteristics

Immobility Clamp is used for fixing or connecting other hardware fittings onto the tower/pole. It is divided into Immobility Clamp for tower and Immobility Clamp for Pole. Immobility Clamp for tower uses metal clamp while Immobility Clamp for Pole uses hoop.

Tension Clamp is used for angle tower or terminal tower to provide suspension point for ADSS cable. Straight Clamp is used on tangent tower while hoop is used to fix Helical Dead-end and Helical Suspension Set on the pole to provide suspension point on ADSS cable.

Immobility Clamp for Tower



◆ Product Specification

Name	Model	Dimension of main stand for cable fixing	Material	Devastating Load(KN)
Straight Clamp	TGZ 080 070	≤80mm	Galvaized steel	70
	TGZ 100 070	81-100mm		70
	TGZ 125 070	101-125mm		70
	TGZ 145 070	126-145mm		70
	TGZ 165 070	146-165mm		70
	TGZ 200 070	166-200mm		70
Tension Clamp	TGJ 080 070	≤80mm		100
	TGJ 100 070	81-100mm		100
	TGJ 125 070	101-125mm		100
	TGJ 145 070	126-145mm		100
	TGJ 165 070	146-165mm		100
	TGJ 200 070	166-200mm		100

Immobility Clamp for pole



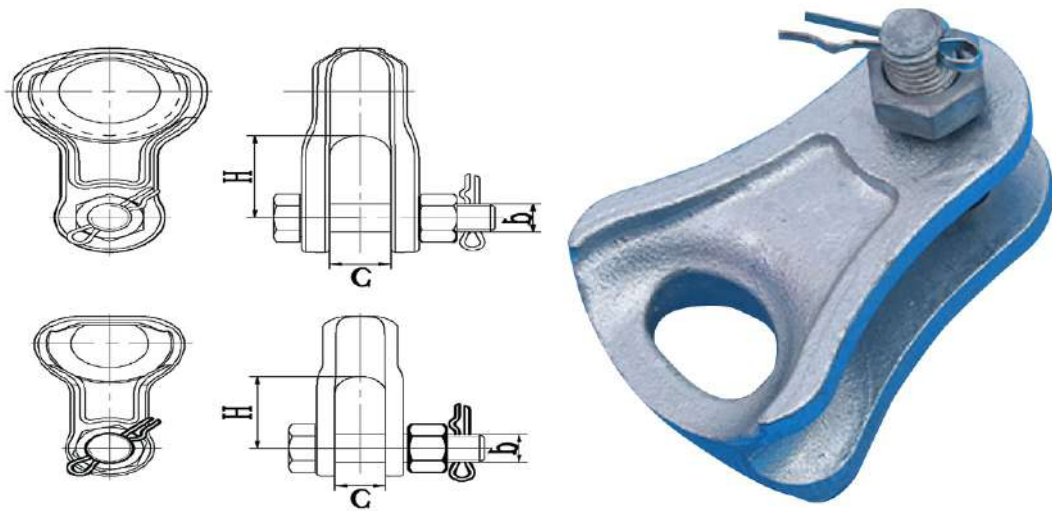
Hoop

◆ Product Specification

Name	Model	Suitable Range(mm)	Material	Failing Load(KN)
Hoop	TGX 125 070	101~125	Galvaized steel	70
	TGX 150 070	126~150		
	TGX 175 070	151~175		
	TGX 200 070	176~200		
	TGX 225 070	201~225		
	TGX 250 070	226~250		
	TGX 275 070	251~275		
	TGX 300 070	276~300		
	TGX 325 070	301~325		
	TGX 350 070	326~350		
	TGX 375 070	351~375		
	TGX 400 070	376~400		
	TGX 425 070	401~425		
	TGX 450 070	426~450		
	TGX 475 070	451~475		
	TGX 500 070	476~500		
	TGX 525 070	501~525		
	TGX 550 070	526~550		
	TGX 575 070	551~575		
	TGX 600 070	576~600		
TGX 625 070	601~625			
TGX 650 070	626~650			
TGX 675 070	651~675			
TGX 700 070	676~700			
TGX 800 070	701~800			
TGX 900 070	801~900			
TGX 1000 070	901~1000			

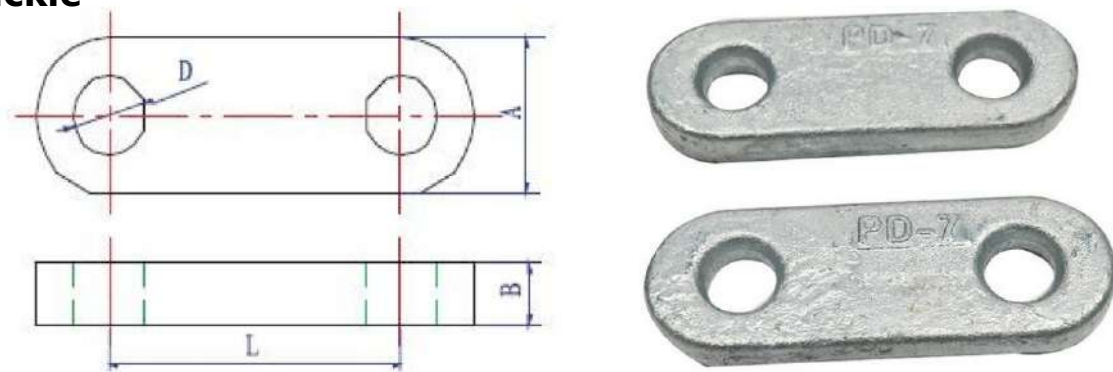
17.Link Fittings Parameter

Thimble



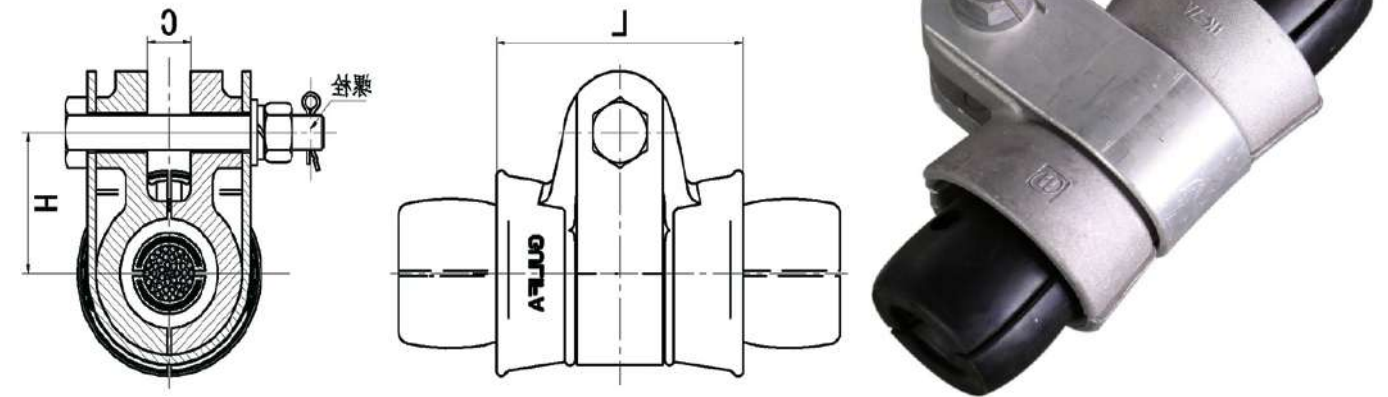
Model	Dimensions(mm)			Failing Load(kN)	weight(kg)
	H	C	D		
TC-04	40	18	16	40	0.5
TC-07	48	20	16	70	0.9
TC-10	48	22	16	100	0.9
TC-12	50	22	18	120	0.9
TC-16	65	28	22	160	1.7

PD Shackle



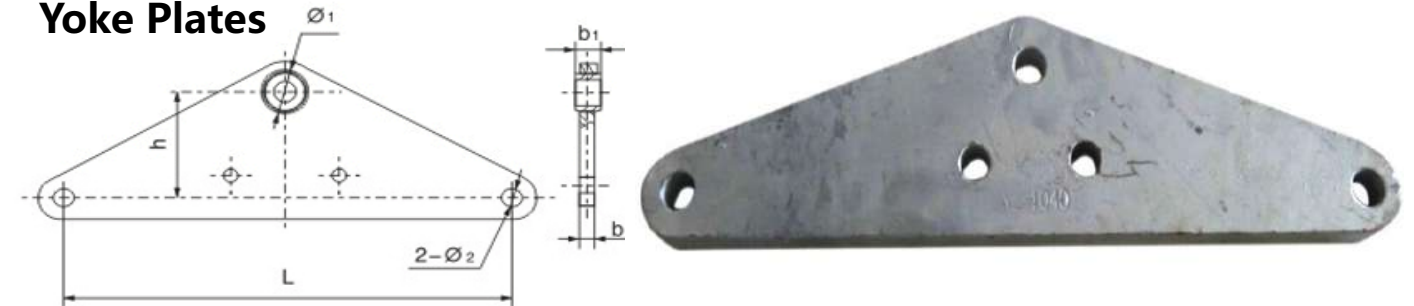
Model	Dimensions(mm)				Failing Load(KN)	weight(kg)
	B	D	L	A		
PD-300-7	16	18	300	40	70	2.1
PD-300-10	16	20	300	40	100	2.6
PD-300-12	16	24	300	40	120	2.7
PD-300-16	22	26	300	40	160	3.2

AGS Clamp



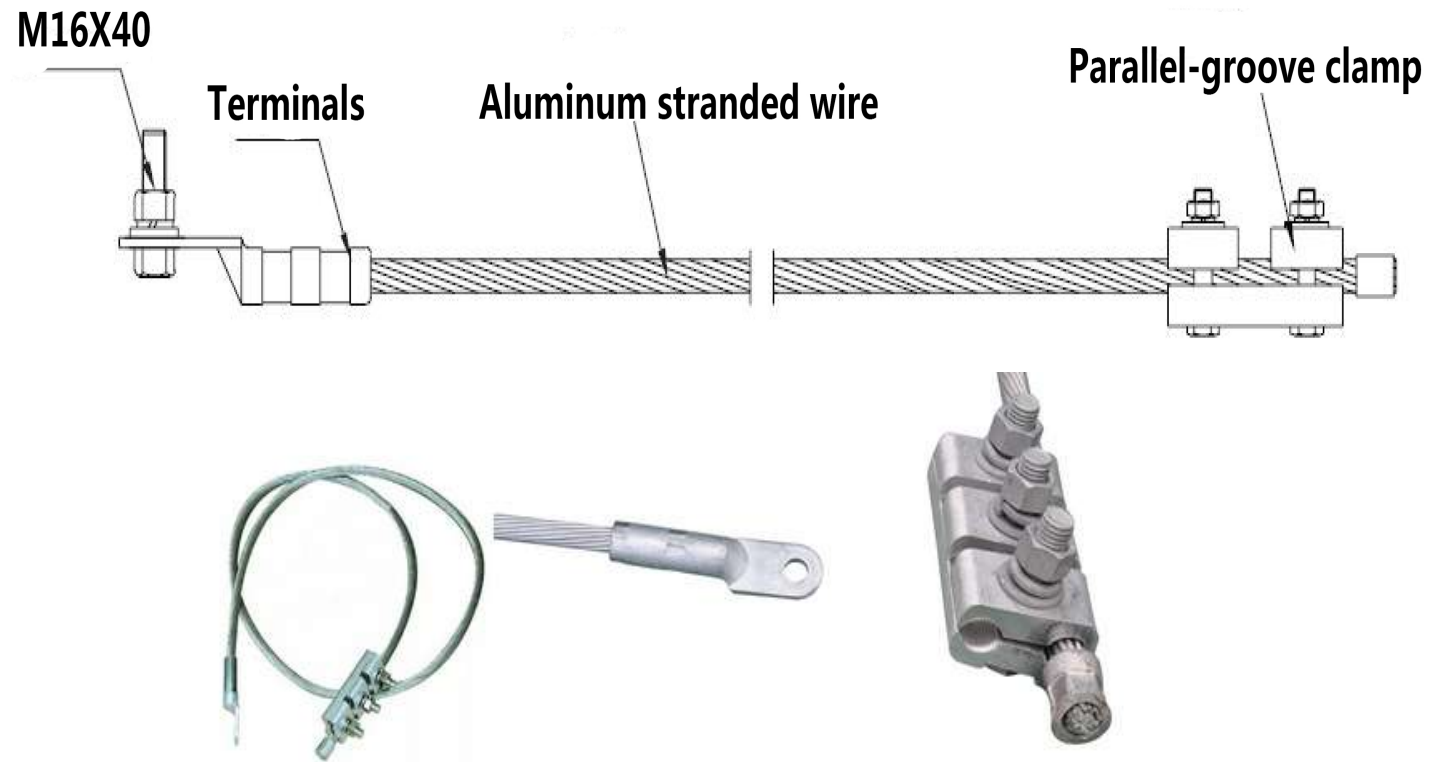
Model	Dimensions(mm)			Collocate		weight(kg)	Failing Load(KN)
	L	H	C	Latex pad	bolt		
HOU-95	95	55	19	XJ1754 XJ1906	M16	1.28	70
HOU-114	114	60	22	XJ2106 XJ2350	M16	1.7	90
HOU-125	125	64	22	XJ2540 XJ2700	M16	1.97	100
HOU-135	135	68	30	XJ2840 XJ3069	M16	2.6	120

Yoke Plates



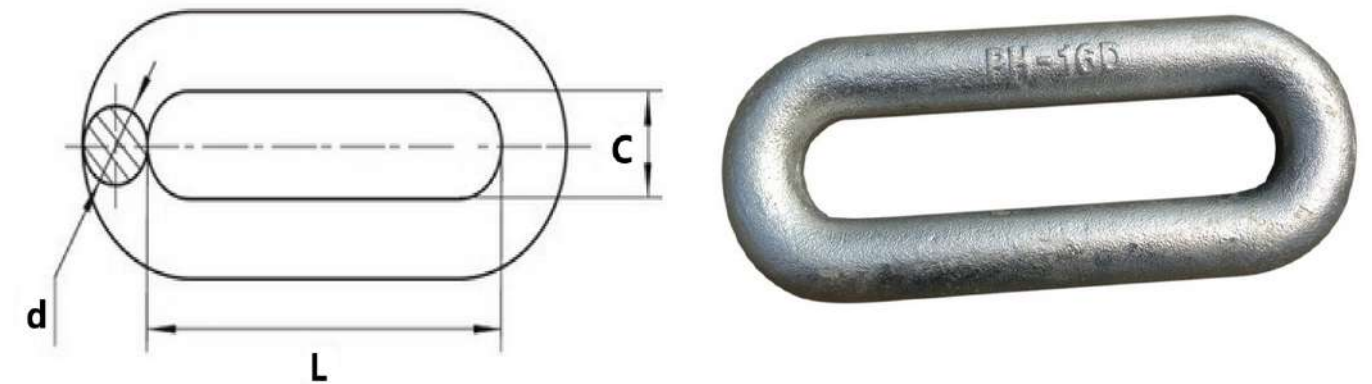
Model	Dimensions(mm)						Failing Load(KN)	weight(kg)
	b	b1	d	d1	h	L		
L-1040	16	16	20	18	70	400	100	4.4
L-1240	16	16	24	18	70	400	120	4.7
L-1640	18	18	26	20	100	400	160	5.9

Ground Wire Clamp



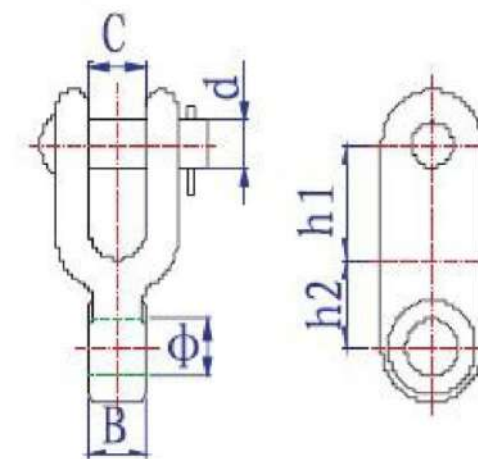
Model	Conductor Dia.(mm)	Cable Dia.(mm)	Collocation		weight(kg)
			Ground Line length(mm)	Clamp Model	
JXJ70-1500	10.8	7.8-11.6	1500	JBK-50-240/2	0.95
JXJ70-2000			2000		1.09
JXJ70-2500			2500		1.23
JXJ70-3000			3000		1.37
JXJ95-1500	12.48	11.7-15.0	1500		1.11
JXJ95-2000			2000		1.3
JXJ95-2500			2500		1.49
JXJ95-3000			3000		1.68
JXJ120-1500	14	15.1-18.0	1500		1.56
JXJ120-2000			2000		1.82
JXJ120-2500			2500	2.09	
JXJ120-3000			3000	2.35	

PH type extension ring



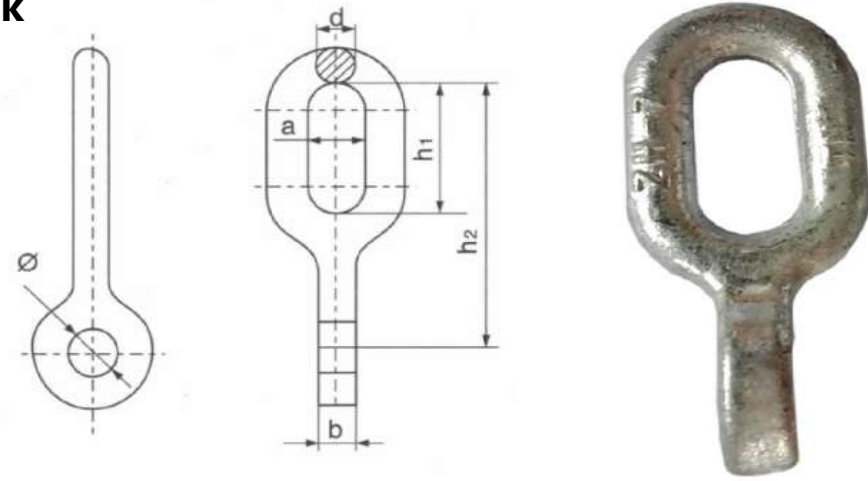
Model	Dimension (mm)			Failing Load(KN)	weight(kg)
	C	d	L		
PH-7	20	16	80	70	0.4
PH-10	22	18	100	100	0.6
PH-12	24	20	120	120	0.9
PH-16	26	22	140	160	1.5

Shackle



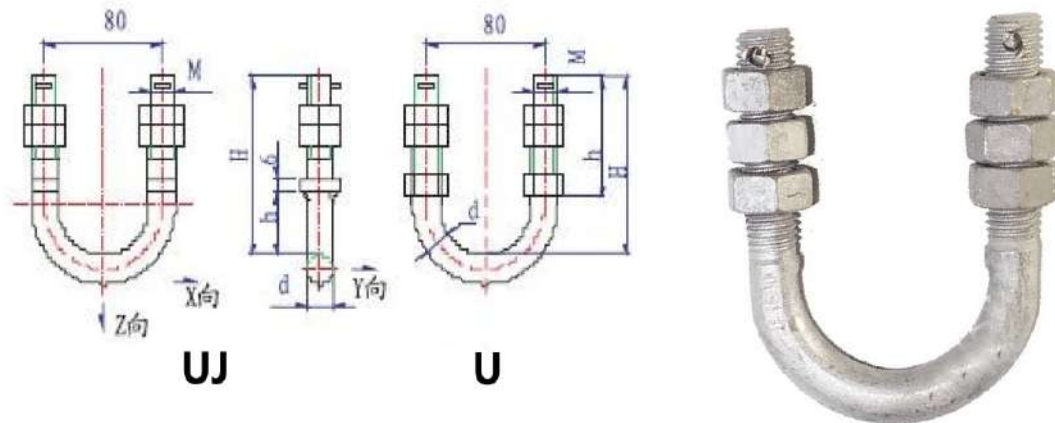
Model	Dimension (mm)						Failing Load(KN)	weight(kg)
	C	d	Φ	B	h1	h2		
GHX-15	20	16	18	18	38	45	70	0.6
GHX-20	20	18	20	20	38	45	90	0.8

Eye Chain Link



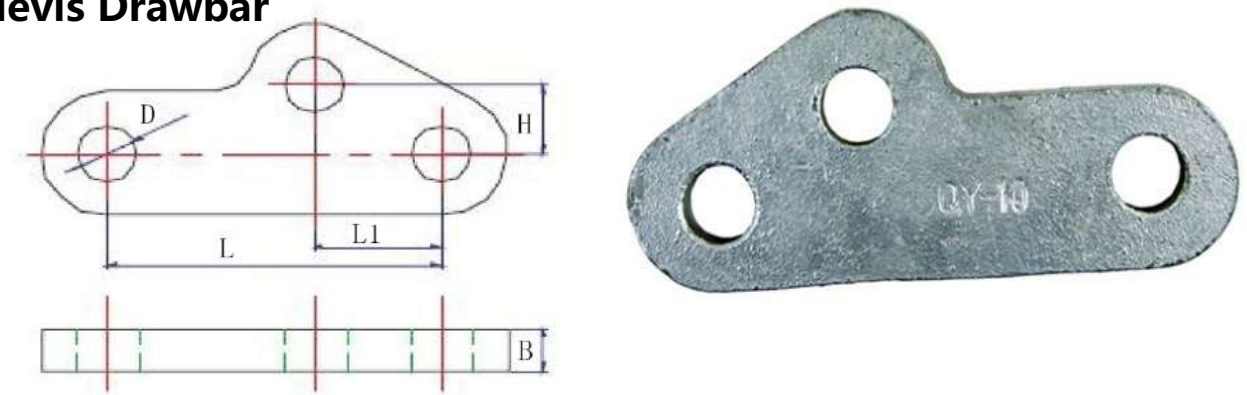
Model	Dimension (mm)						Failing Load(KN)	weight(kg)
	C	h	H	b	B	Φ		
ZH-7	24	57	95	16	16	20	70	0.5
ZH-10	24	57	100	16	18	20	100	1.1
ZH-12	24	65	115	16	18	24	120	1.2
ZH-16	26	75	135	18	22	26	160	1.8

U-Bolt



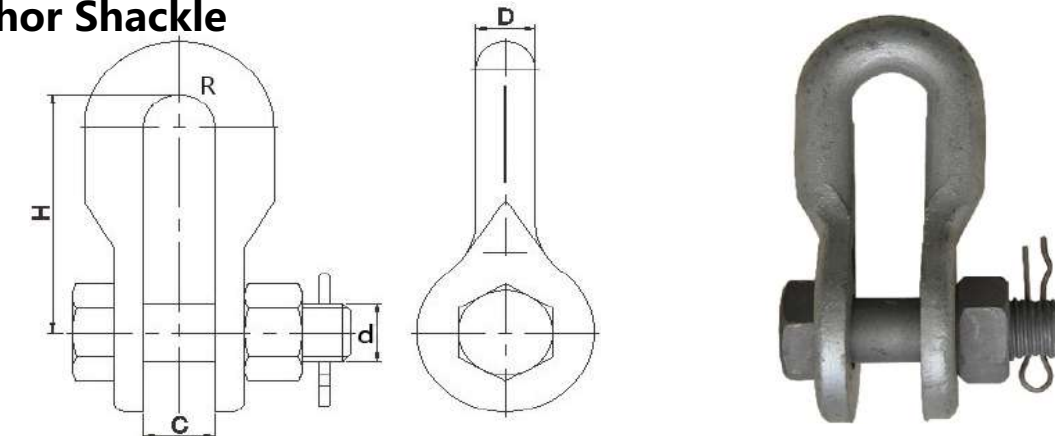
Model	Dimension (mm)				Failing Load(KN)			weight(kg)
	d	h	H	M	X	Y	Z	
UJ-1880	18	39	105	18	18	5.3	35	0.85
UJ-2080	20	43	120	20	24	7.4	47	1.1
UJ-2280	22	45	126	22	28	10.8	57	1.4
U-1880	18	60	90	18	18	3.5	35	0.8
U-2080	20	70	100	20	18	5.3	35	1.1
U-2280	22	90	118	22	24	4.9	47	1.3

Clevis Drawbar



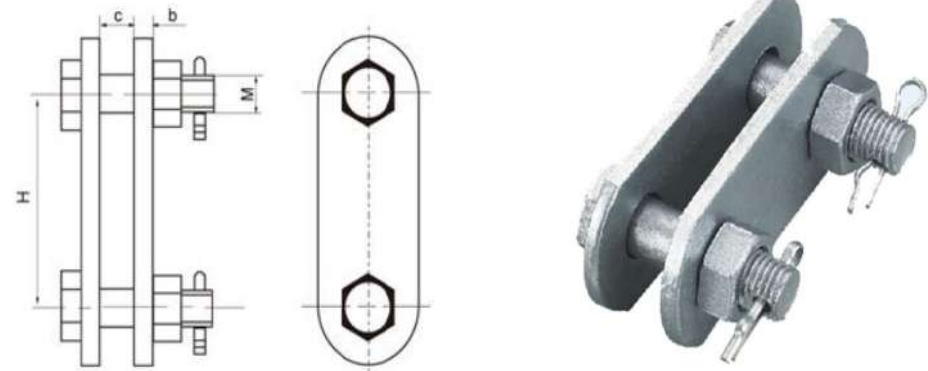
Model	Dimension (mm)					Failing Load(KN)	weight(kg)
	L	L1	B	D	H		
QY-7	100	38	16	18	22	70	0.8
QY-10	120	42	16	20	25	100	1
QY-12	150	52	16	24	30	120	1.5

U-Anchor Shackle



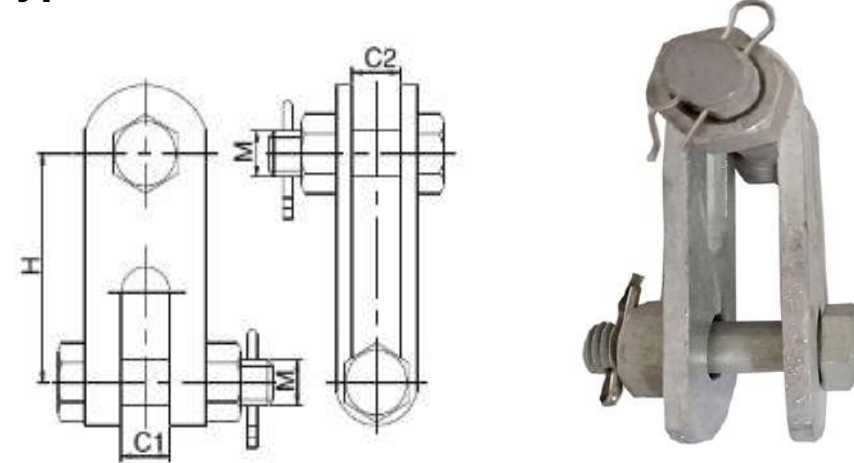
Model	Dimension (mm)					Failing Load(KN)	weight(kg)
	c	d	D	H	R		
U-6	22	14	16	75	12	60	0.4
U-7	20	16	16	80	10	70	0.5
U-10	22	18	18	85	11	100	0.6
U-12	24	22	20	90	12	120	1
U-16	26	24	22	95	13	160	1.5
UL-7	20	16	16	120	22	70	0.7
UL-10	22	18	18	140	24	100	0.9
UL-12	24	22	20	140	18	120	1.1

Clevis Eye(Type P)



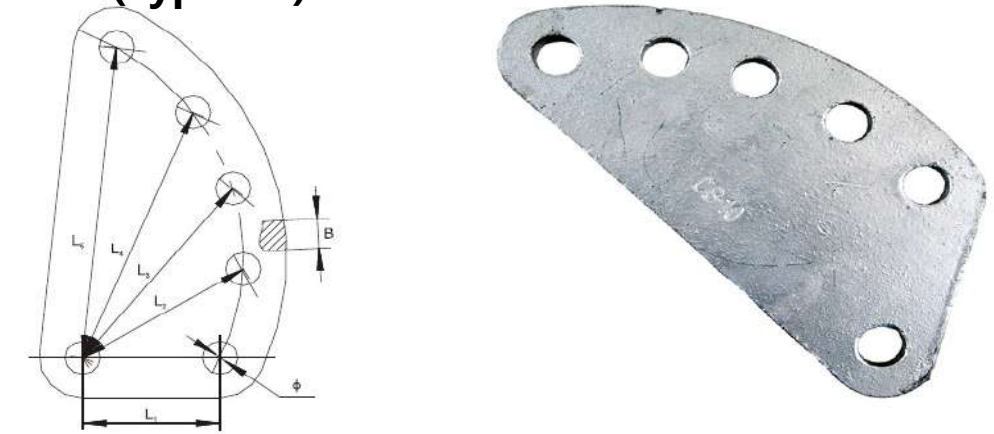
Model	Dimension (mm)				Failing Load(KN)	weight(kg)
	B	C	M	H		
P-7	6	18	16	60	70	0.6
P-10	8	20	18	70	100	0.9
P-12	10	24	22	80	120	1.5
P-16	12	26	24	90	160	2.4

Clevis Eye(Type Z)



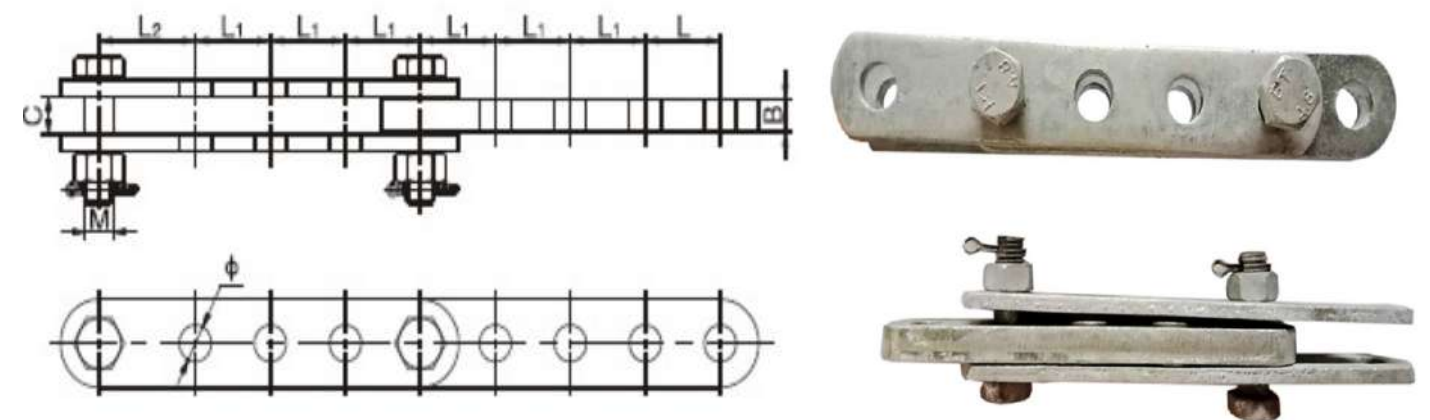
Model	Dimension (mm)				Failing Load(KN)	weight(kg)
	C1	C2	M	H		
Z-7	18	18	16	60	70	0.6
Z-10	20	20	18	70	100	0.8
Z-12	24	24	22	80	120	1.3
Z-16	26	26	24	90	160	2.5

Sag.Adjusting Plate(Type DB)



Model	Dimension (mm)							Failing Load(KN)	weight(kg)
	Φ	B	L1	L2	L3	L4	L5		
DB-7	18	16	70	95	120	145	170	70	1.7
DB-10	20	16	80	110	140	170	200	100	2.7
DB-12	24	16	100	135	170	205	240	120	3.2
DB-16	26	18	120	125	140	155	170	160	4.1

Sag.Adjusting Plate(Type PT)



Model	Dimension (mm)							Failing Load(KN)	weight(kg)
	C	B	M	Φ	L	L1	L2		
PT-7	20	16	16	18	45	45	60	70	2
PT-10	20	16	18	20	50	50	65	100	2.9
PT-12	20	16	22	24	75	60	75	120	5.2
PT-16	22	18	24	26	80	70	80	160	7

18. Plastic Line Tie / Top Tie for Insulator

PVC plastic line ties / top ties are intended for use with covered conductors and vertically-mounted tie top insulators on crossarms or pole-top-mounted insulators. Line angles of up to 15° can be accommodated when used with any plastic covered conductor.

Material:

We use the all new raw material, not recycling material to make the product. so it has the following advantages such as UV resistance, good tensile strength, impact strength and flexural strength etc. We can make them in black, white as well as grey at present.

Application: voltage to 15kV.

Mechanical: PVC plastic line ties / top ties will develop unbalanced and lift-off loads equivalent to, or in excess of, a hand tie over covered conductor.

Insulators: PVC plastic line ties / top ties are used with either ANSI compliant polymer or porcelain insulators, such as Φ63mm (C Neck), Φ73mm (F Neck).

18.1 Plastic single Side Tie



◆ Product Specification

Model	Dia. of consulator (MM)	Dia. of applied cable (MM)	Material
HPDCB63-1372	63	10.19-13.72	ordinary PVC
HPDCB63-1372D			Semiconductor PVC
HPDCB63-2040	63	16.5-20.4	ordinary PVC
HPDCB63-2040D			Semiconductor PVC
HPDCB73-2337	73	21.0-23.37	ordinary PVC
HPDCB73-2337D			Semiconductor PVC
HPDCB73-2794	73	23.39-27.94	ordinary PVC
HPDCB73-2794D			Semiconductor PVC

18.2 Plastic double Side Tie



◆ Product Specification

Model	Dia. of consulator (MM)	Dia. of applied cable (MM)	Material
HPSCB63-0970	63	8.03-9.7	ordinary PVC
HPSCB63-0970D			Semiconductor PVC
HPSCB63-1372	63	10.19-13.72	ordinary PVC
HPSCB63-1372D			Semiconductor PVC
HPSCB73-2040	73	16.5-20.4	ordinary PVC
HPSCB73-2040D			Semiconductor PVC
HPSCB73-2337	73	21.0-23.37	ordinary PVC
HPSCB73-2337D			Semiconductor PVC
HPSCB73-2794	73	23.39-27.94	ordinary PVC
HPSCB73-2794D			Semiconductor PVC

18.3 Plastic single Top Tie



◆ Product Specification

Model	Dia. of consulator (MM)	Dia. of applied cable (MM)	Material
HPDDB63-1372	63	10.19-13.72	ordinary PVC
HPDDB63-1372D			Semiconductor PVC
HPDDB73-1497	73	13.23-14.97	ordinary PVC
HPDDB73-1497D			Semiconductor PVC
HPDDB73-2040	73	16.5-20.4	ordinary PVC
HPDDB73-2040D			Semiconductor PVC
HPDDB73-2337	73	21.0-23.37	ordinary PVC
HPDDB73-2337D			Semiconductor PVC
HPDDB73-2794	73	23.39-27.94	ordinary PVC
HPDDB73-2794D			Semiconductor PVC
HPDDB73-3302	73	27.97-33.02	ordinary PVC
HPDDB73-3302D			Semiconductor PVC

19. PVC Bird-Flight Diverter

The Bird-Flight Diverter is designed to make overhead lines and guyed structures visible to birds and provides an economical means of reducing the hazard to both lines and birds.

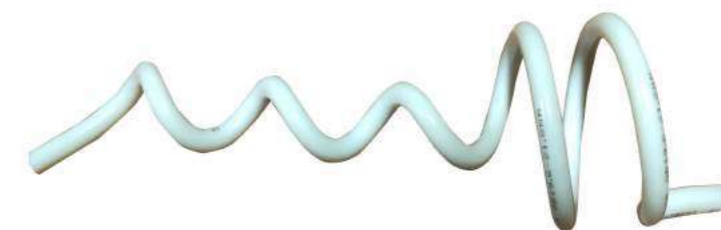
Material:

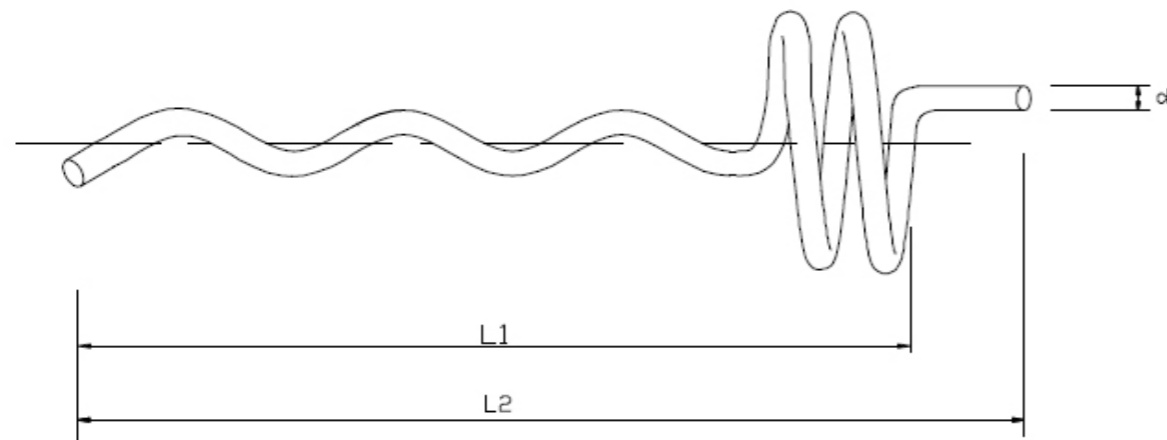
It is made of rigid high impact polyvinyl chloride(PVC), which possesses excellent chemical resistance, strength properties and will retain good physical characteristics within a range of extreme temperatures. Industrial fumes and salt water can not seriously degrade the properties of rigid PVC.

Feature:

- ◆ Manufactured from gray or yellow high impact PVC
- ◆ Lightweight
- ◆ Easily and quickly installed by hand
- ◆ Positive grip on the conductor ensures the BIRD-FLIGHT Diverter remains in the applied location
- ◆ Long service life without deterioration of material properties
- ◆ Minimal wind resistance
- ◆ Recommended spacing distances are 15 feet intervals (depending upon local conditions)

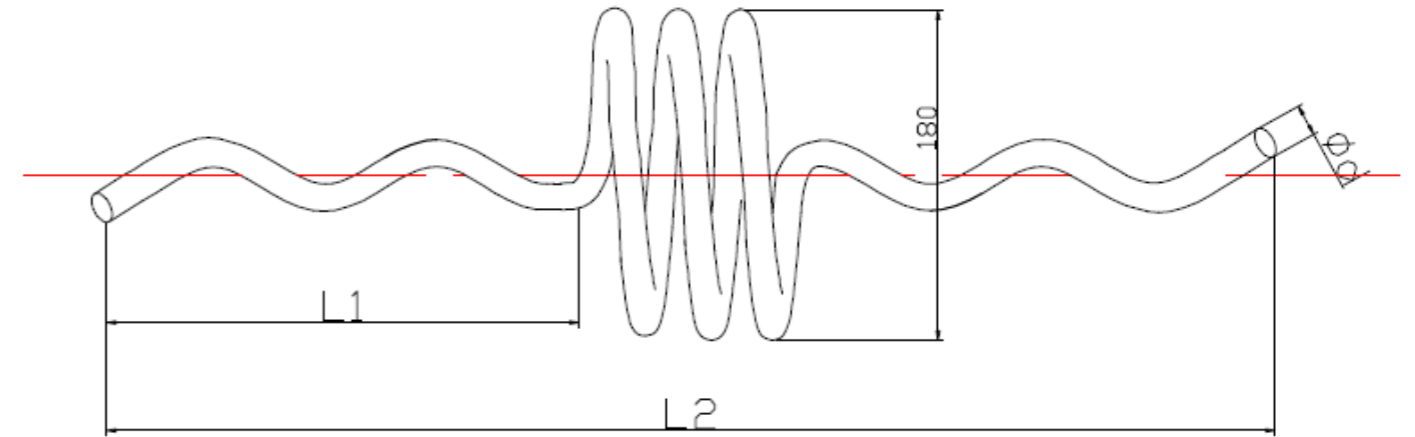
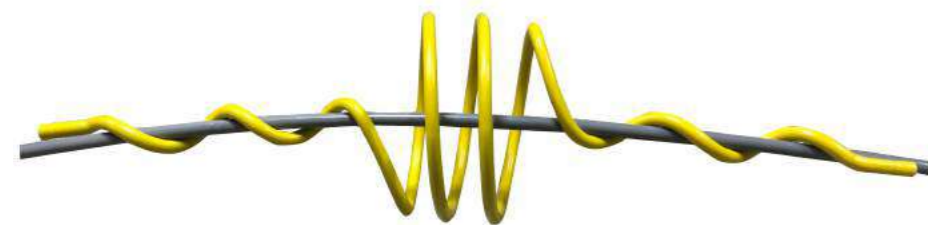
19.1 Bird flight diverter for single head





◆ Product Specification

TYPE	Conductor diameter "Φ" mm	Approx.applied Length "L1" mm	Approx.applied Length "L2" mm	Rod diameter "d" mm
BFS-MS-3164	8.90-11.4	220±10	241±10	9.50±0.3
BFS-MS-3341	11.5-15.2	250±10	280±10	9.50±0.3
BFS-MS-3344	15.3-19.6	375±10	406±10	9.50±0.3
BFS-MS-3345	19.7-21.8	380±10	410±10	12.7±0.3
BFS-MS-3405	21.9-23.3	390±10	420±10	12.7±0.3



◆ Product Specification

TYPE	Conductor diameter "Φ" mm	Approx.applied Length "L1" mm	Approx.applied Length "L2" mm	Rod diameter "d" mm
BFD-DS-1140	8.90-11.4	220±10	560±10	12.7±0.3