
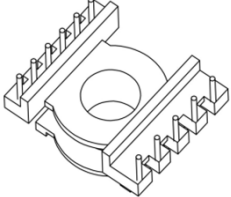
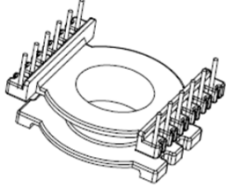
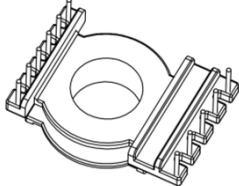
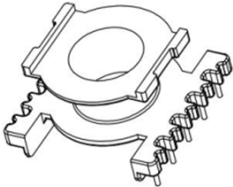
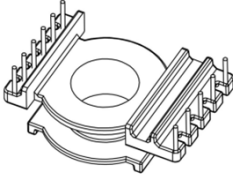
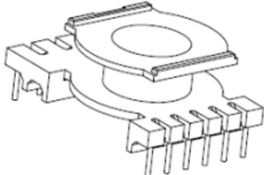
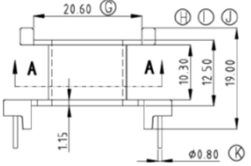
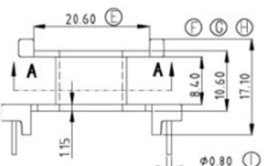
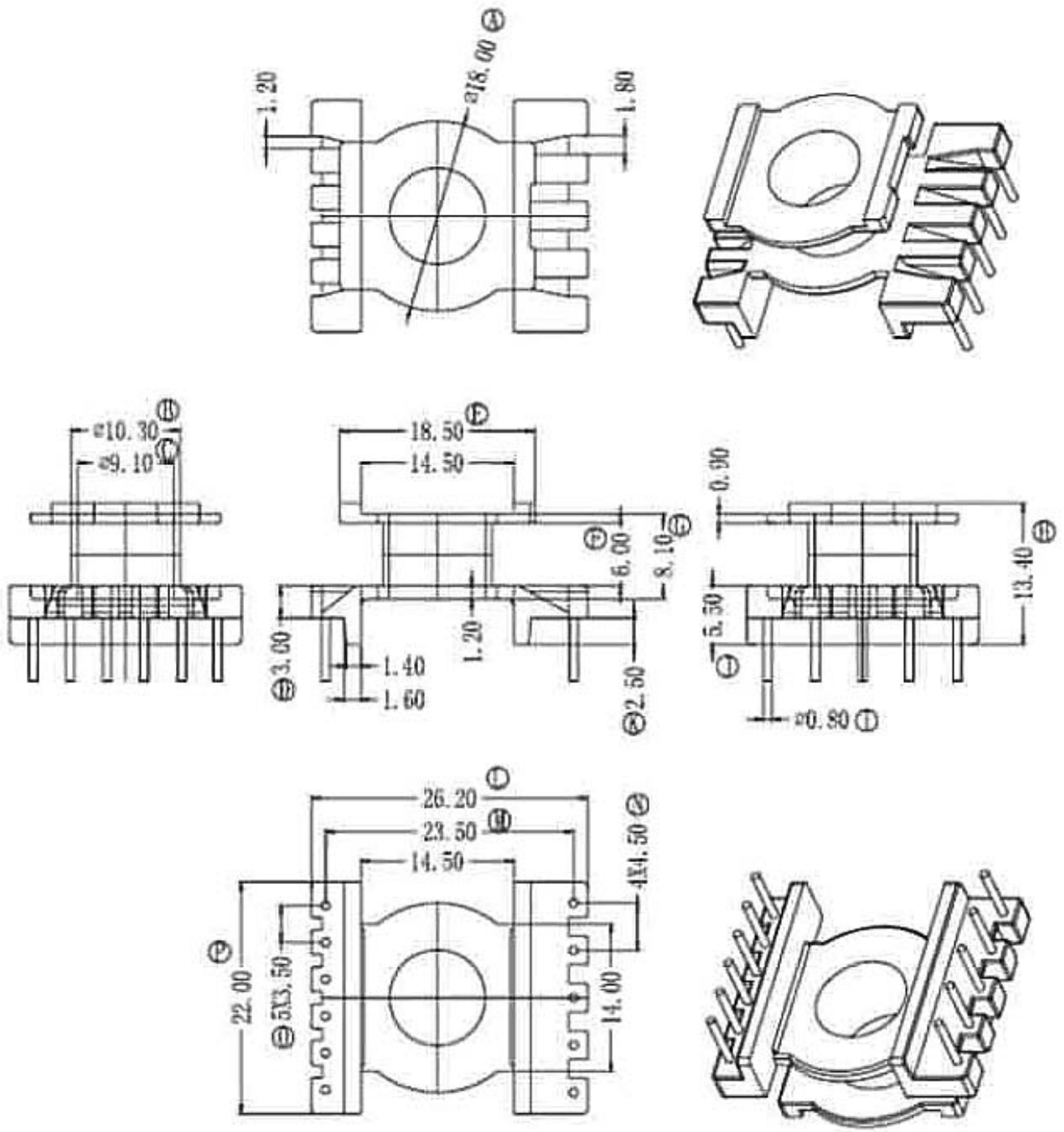



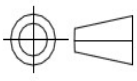
OUGE

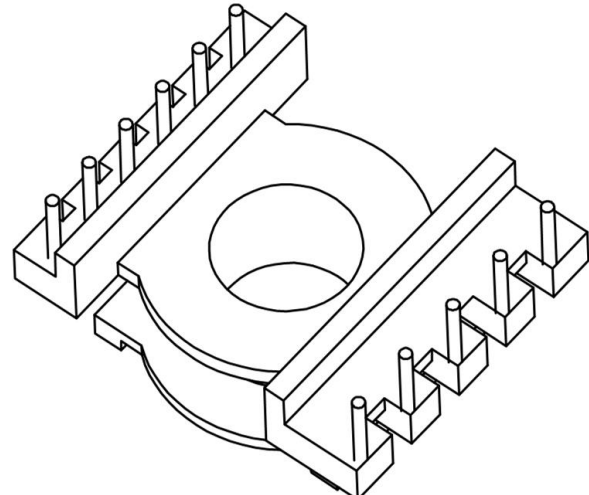
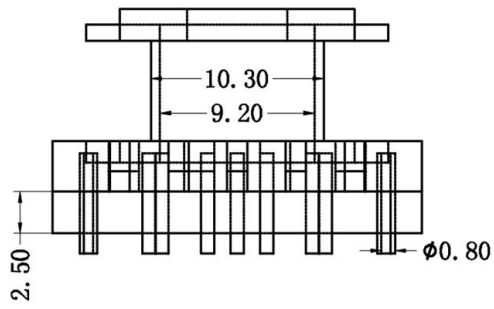
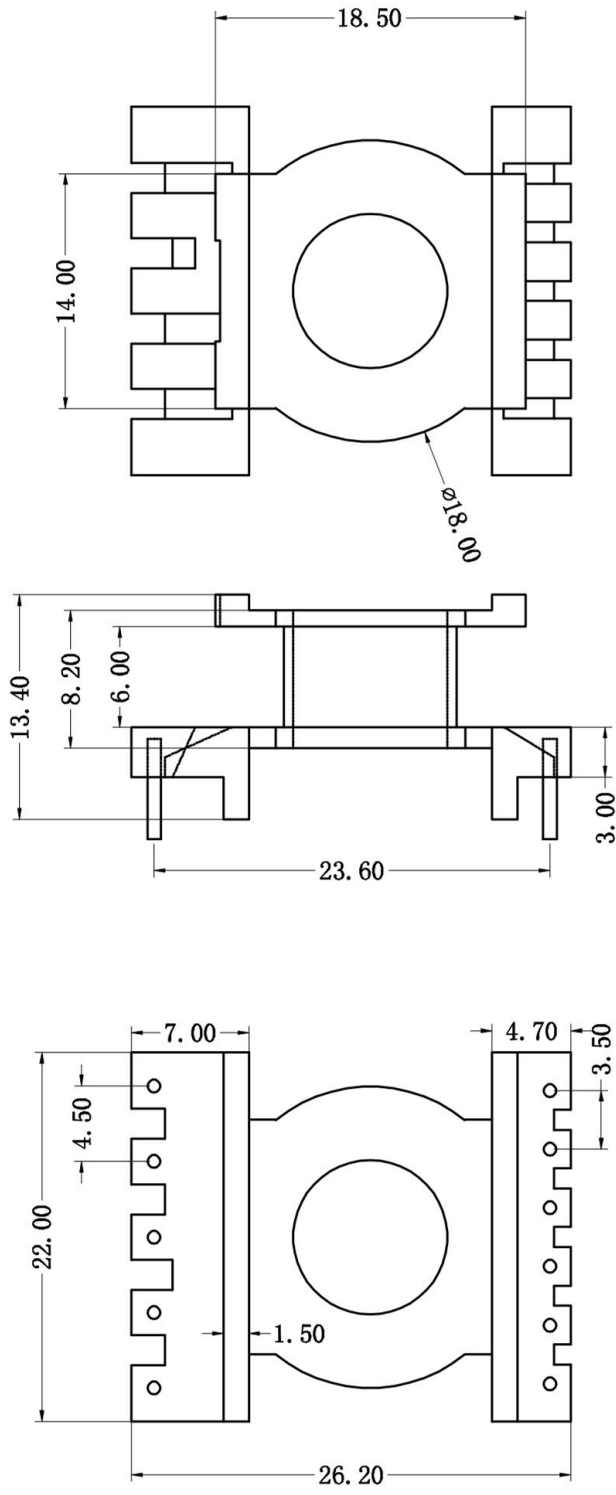
EQ Bobbin Type


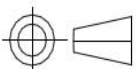
ITEM NO	DESCRIPTION	PIN CIRCUIT	PIN:PIN	ROW:ROW	PHOTO
EQ2001	EQ20 Vertical	5X6	3.5/4.5	23.5	
EQ2201	EQ22 Vertical	5X6	3.5/4.5	23.6	
EQ2501	EQ2501 Vertical	6X6	3.5	22.5	
EQ2502	EQ2502 Horizontal extended	5X6	3.5/4.5	28.5	
EQ2514	EQ2514 Vertical	5X5	5	22.6	

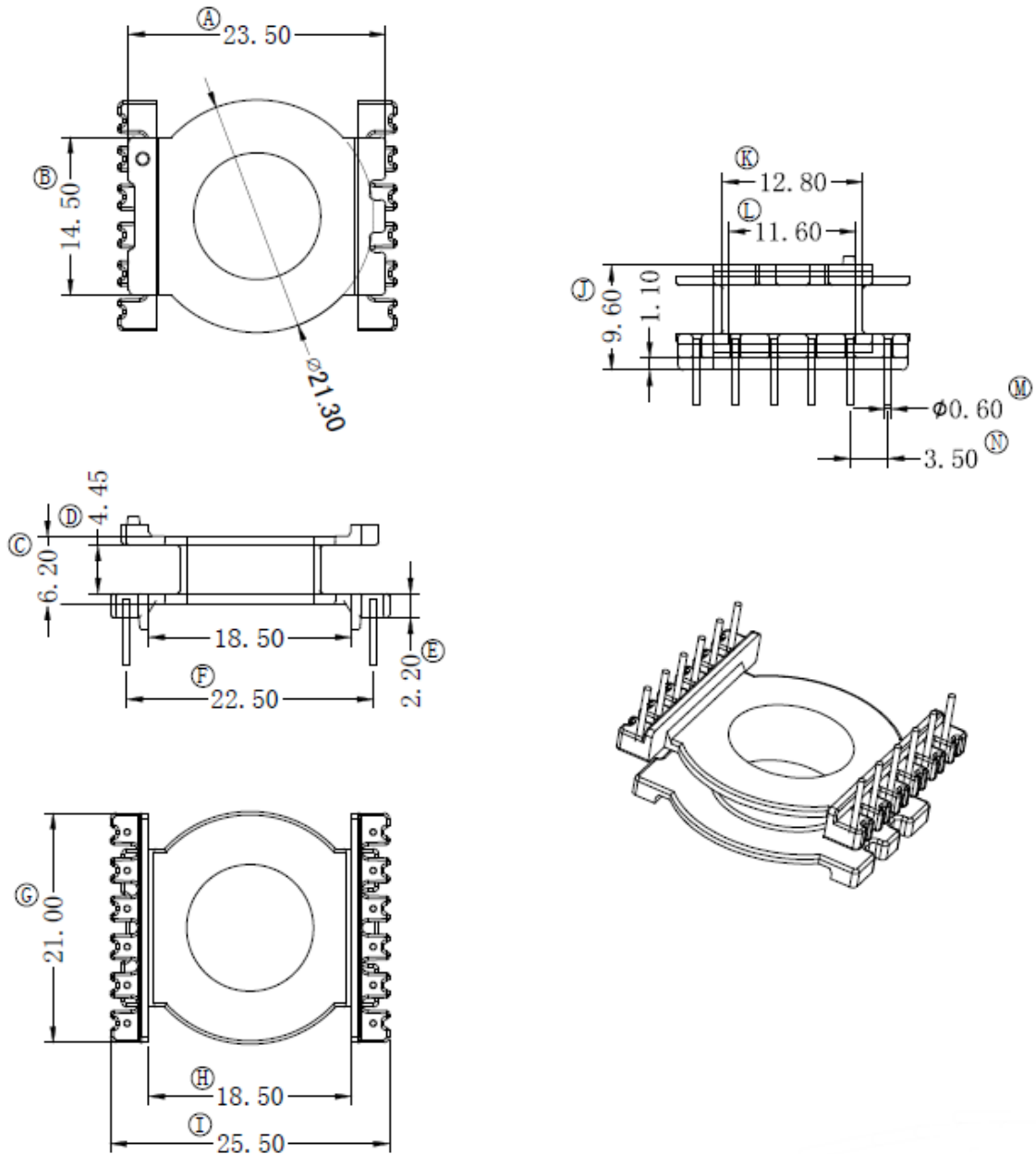
ITEM NO	DESCRIPTION	PIN CIRCUIT	PIN:PIN	ROW:ROW	PHOTO
EQ2601	EQ2601 Vertical	5X6	3.5/4.5	30.6	
EQ2601B	EQ2601 Vertical	5X6	3.5/4.5	30.6	
EQ3016	EQ3016 Vertical	5X5	5	27.6	
EQ3019	EQ3019 Vertical	5X5	5	27.6	


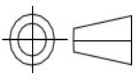


DRAFTED BY	付志良	TOLERANCE		ANGLR: ±1°	MODEL NAME: EQ-20Vertical(5+6) PIN	
CHECKED BY	吴志权	0<L≤4 ±0.1 4<L≤16 ±0.2 16<L≤63 ±0.3	Pin pitch ±0.20	UNIT:MM	MATERIAL: PHENOLIC	UL REC: UL 94V-0
 盱眙欧歌电子有限公司 XUYI OUGE ELECTRONIC CO.,LTD. TEL: 0086-760-22286356    FAX:0086-760-22286951 Email: sales@ougedianzi.com				SCALE: 1/1	TERMINAL MAT:CP WIRE	PIN TENSION LOAD: 1.0 KGS MIN
					DATE: 2017.12.13	DRAWING NO:

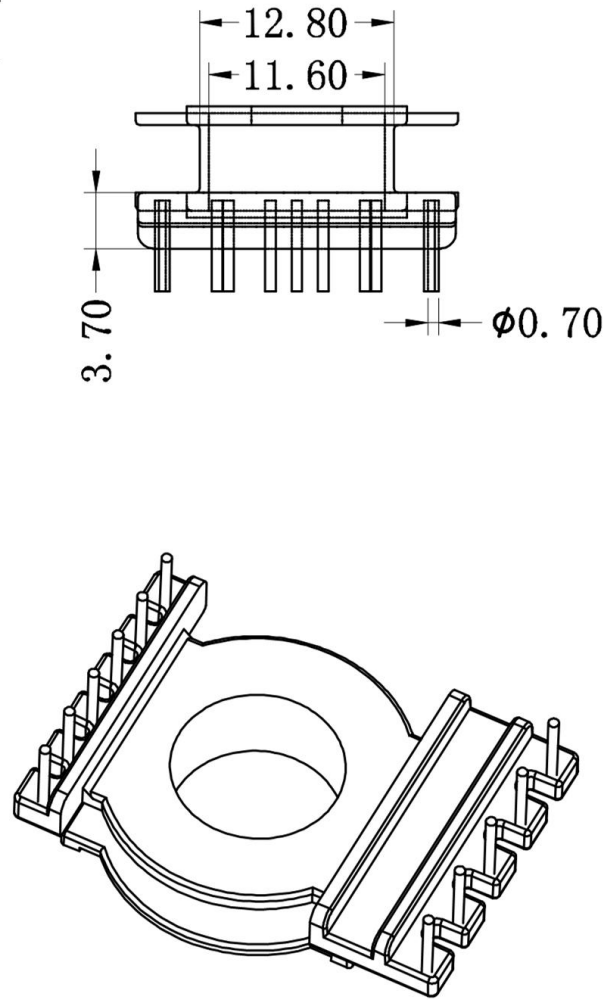
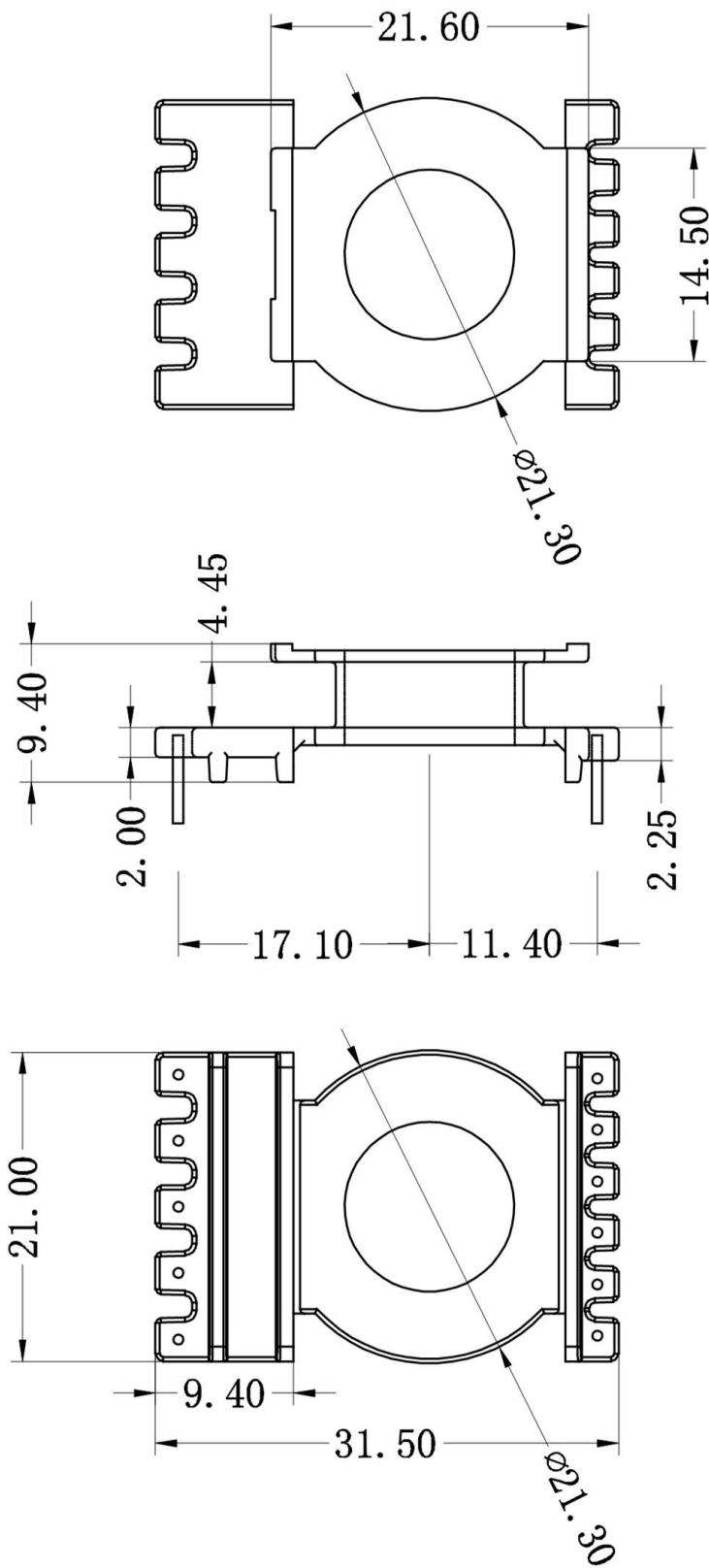



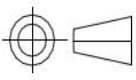
DRAFTED BY	付志良	TOLERANCE		ANGLR: ±1°	MODEL NAME: EQ2201 L(5+6) PIN	
CHECKED BY	吴志权	0<L≤4 ±0.1 4<L≤16 ±0.2 16<L≤63 ±0.3	Pin pitch ±0.20	UNIT:MM	MATERIAL: PHENOLIC	UL REC: UL 94V-0
 盱眙欧歌电子有限公司 XUYI OUGE ELECTRONIC CO.,LTD. TEL: 0086-760-22286356 F AX:0086-760-22286951 Email: sales@ougedianzi.com				SCALE: 1/1	TERMINAL MAT:CP WIRE	PIN TENSION LOAD: 1.0 KGS MIN
					DATE: 2018.06	DRAWING NO:

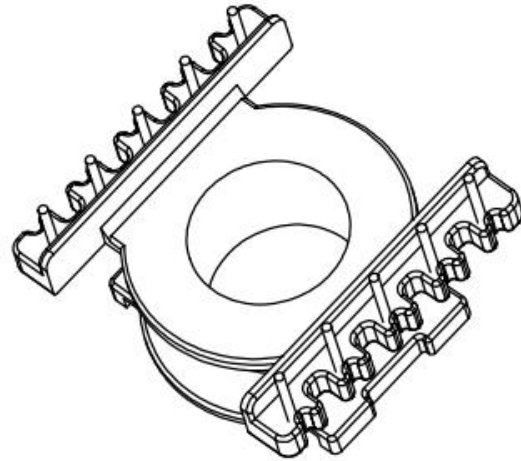
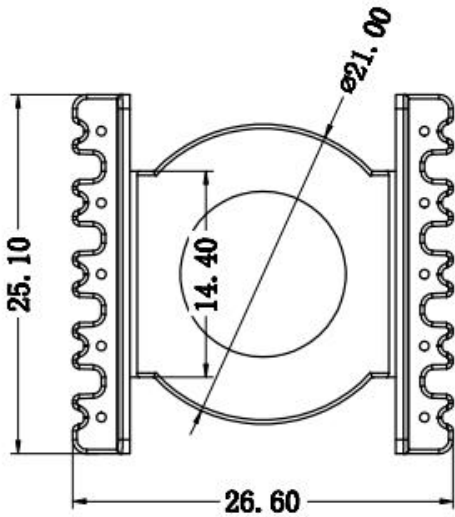
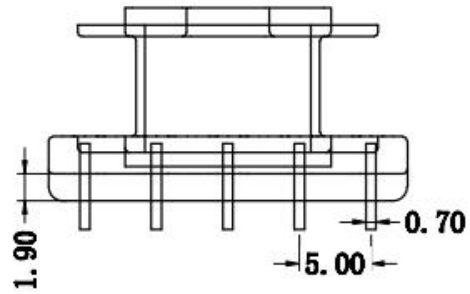
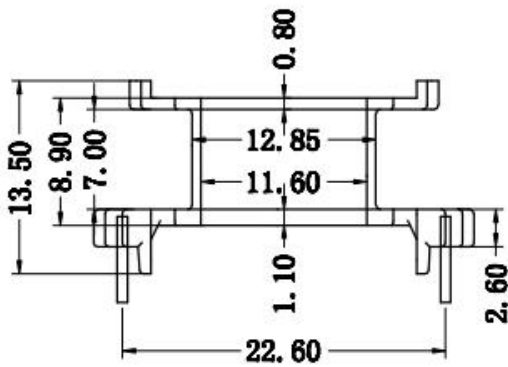
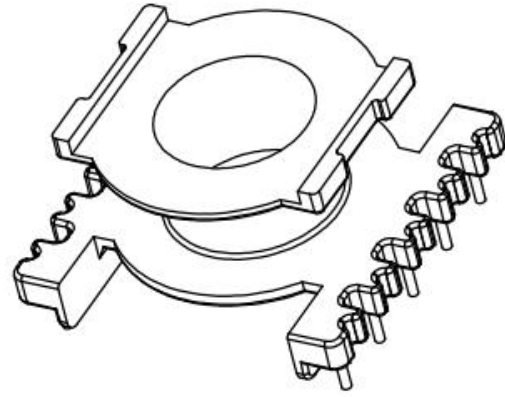
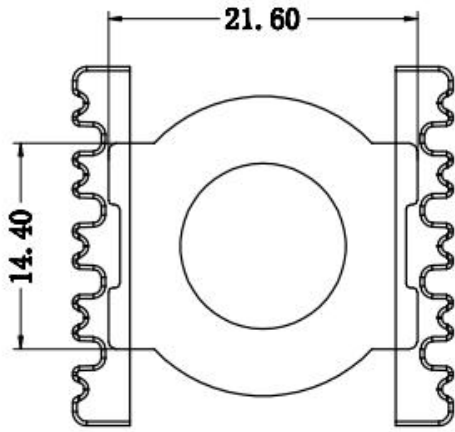



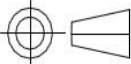
DRAFTED BY	付志良	TOLERANCE		ANGLR: ±1°	MODEL NAME: EQ25 L (6+6) PIN	
CHECKED BY	吴志权	0<L≤4 ±0.1 4<L≤16 ±0.2 16<L≤63 ±0.3	Pin pitch ±0.20	UNIT:MM	MATERIAL: PHENOLIC	UL REC: UL 94V-0
 盱眙欧歌电子有限公司 XUYI OUGE ELECTRONIC CO.,LTD. TEL: 0086-760-22286356    F AX:0086-760-22286951 Email: sales@ougedianzi.com				SCALE: 1/1	TERMINAL MAT:CP WIRE	PIN TENSION LOAD: 1.0 KGS MIN
					DATE: 2018.06	DRAWING NO:

Item	EQ2502
------	--------



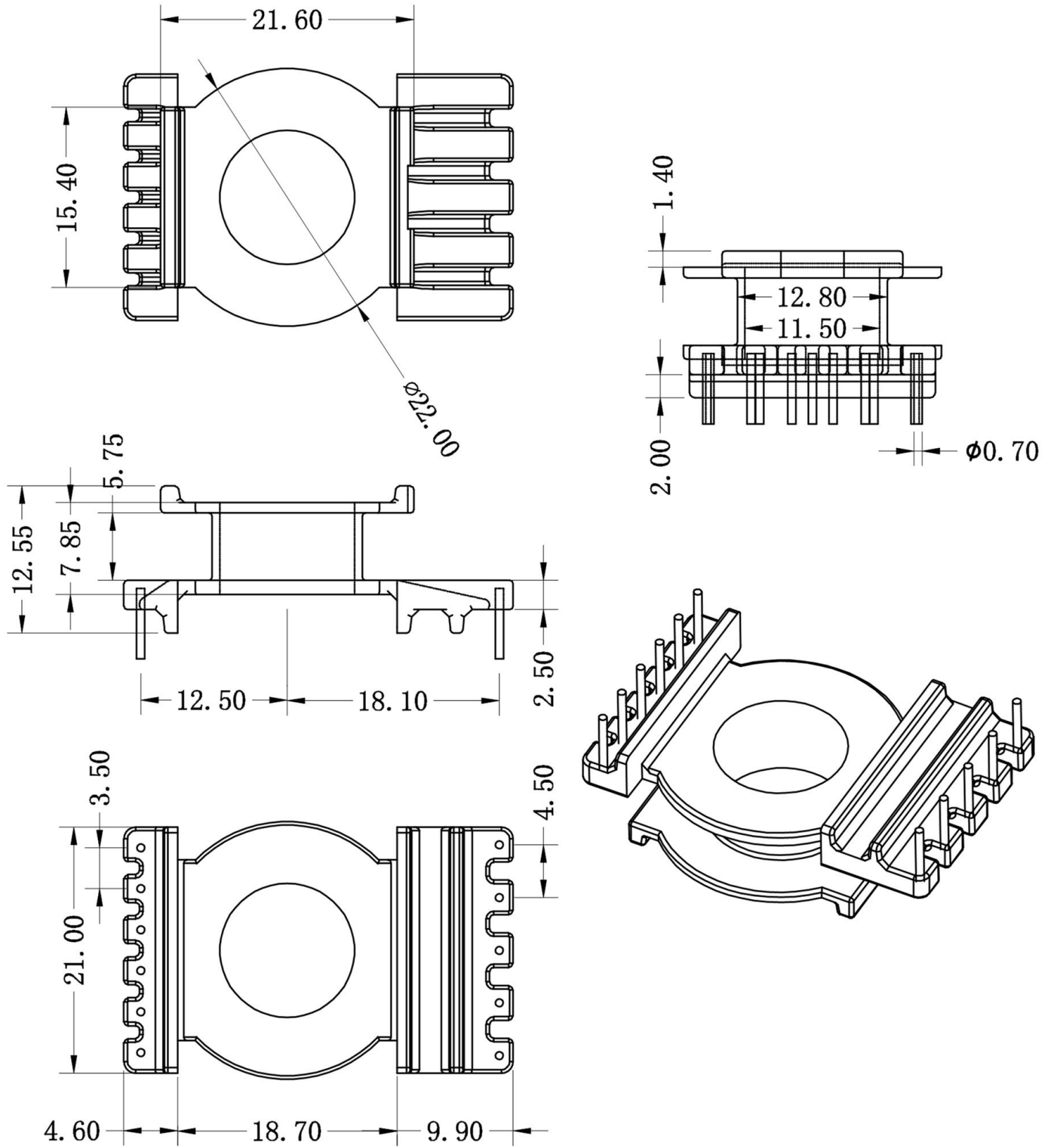
DRAFTED BY	付志良	TOLERANCE		ANGLR: $\pm 1^\circ$	MODEL NAME: EQ2502 L (5+6) PIN	
CHECKED BY	吴志权	0<L≤4 ±0.1 4<L≤16 ±0.2 16<L≤63 ±0.3	Pin pitch ±0.20	UNIT:MM	MATERIAL: PHENOLIC	UL REC: UL 94V-0
 盱眙欧歌电子有限公司 XUYI OUGE ELECTRONIC CO.,LTD. TEL: 0086-760-22286356 F AX:0086-760-22286951 Email: sales@ougedianzi.com				SCALE: 1/1	TERMINAL MAT:CP WIRE	PIN TENSION LOAD: 1.0 KGS MIN
					DATE: 2018.06	DRAWING NO:


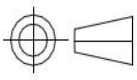


DRAFTED BY	付志良	TOLERANCE		ANGLR: $\pm 1^\circ$	MODEL NAME: EQ-2514 L (5+5) PIN	
CHECKED BY	吴志权	0<L≤4 ±0.1 4<L≤16 ±0.2 16<L≤63 ±0.3	Pin pitch ±0.20	UNIT:MM	MATERIAL: PHENOLIC	UL REC: UL 94V-0
 盱眙欧歌电子有限公司 XUYI OUGE ELECTRONIC CO.,LTD. TEL: 0086-760-22286356    F AX:0086-760-22286951 Email: sales@ougedianzi.com				SCALE: 1/1	TERMINAL MAT:CP WIRE	PIN TENSION LOAD: 1.0 KGS MIN
					DATE: 2018.01	DRAWING NO:

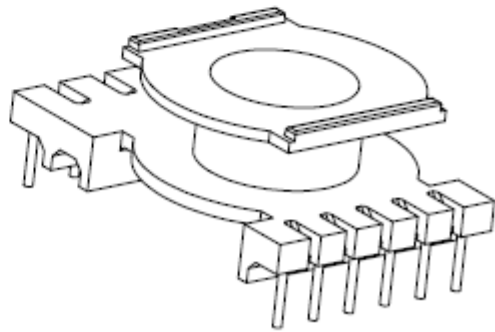
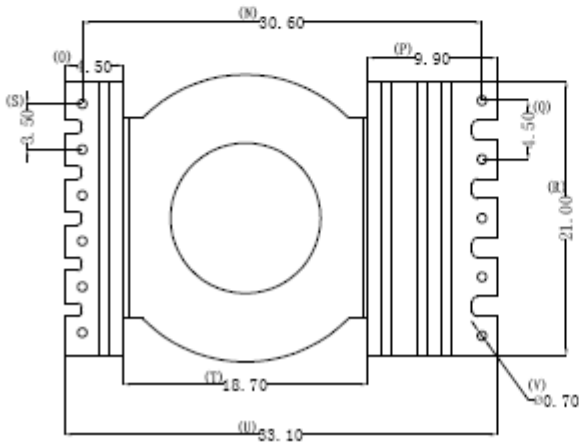
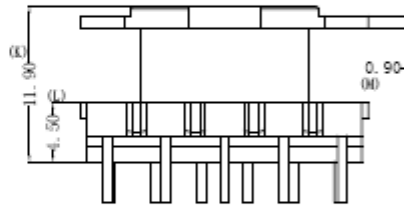
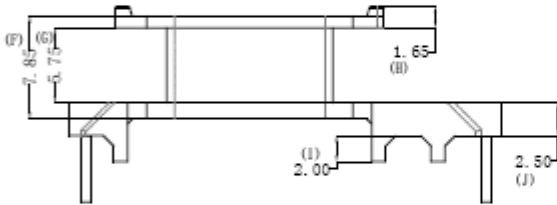
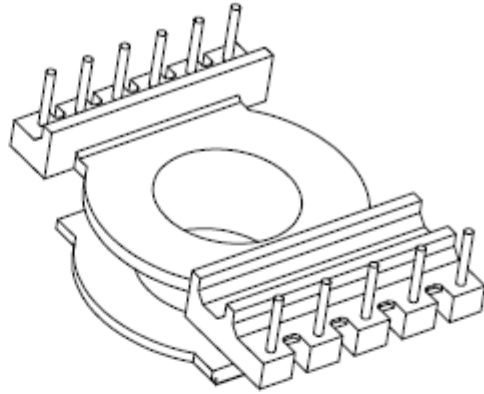
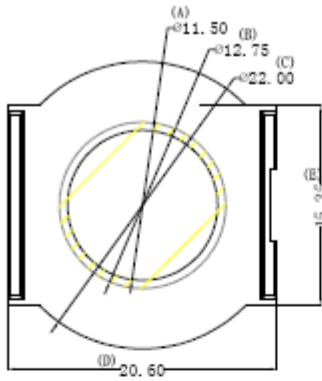



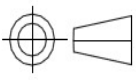
Item	EQ2601
------	--------

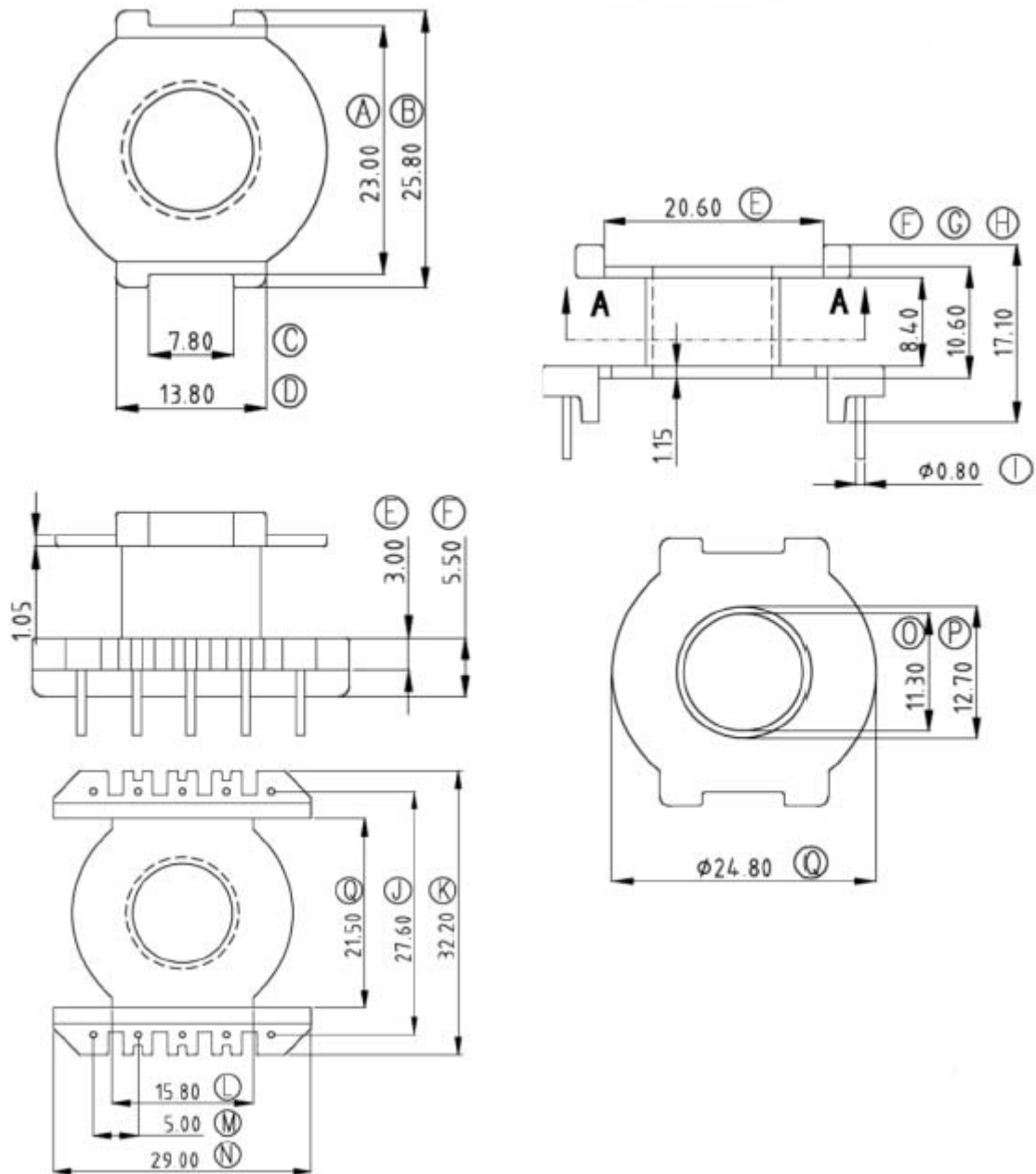



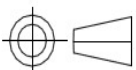
DRAFTED BY	付志良	TOLERANCE		ANGLR: $\pm 1^\circ$	MODEL NAME: EQ2601 L (5+6) PIN		
CHECKED BY	吴志权	0 < L ≤ 4 ± 0.1	Pin pitch ± 0.20	UNIT:MM	MATERIAL: PHENOLIC	UL REC: UL 94V-0	
		4 < L ≤ 16 ± 0.2					
		16 < L ≤ 63 ± 0.3			TERMINAL MAT:CP WIRE	PIN TENSION LOAD: 1.0 KGS MIN	
 盱眙欧歌电子有限公司 XUYI OUGE ELECTRONIC CO.,LTD. TEL: 0086-760-22286356 F AX:0086-760-22286951 Email: sales@ougedianzi.com				SCALE: 1/1	DATE: 2018.06	DRAWING NO:	REV. A
							

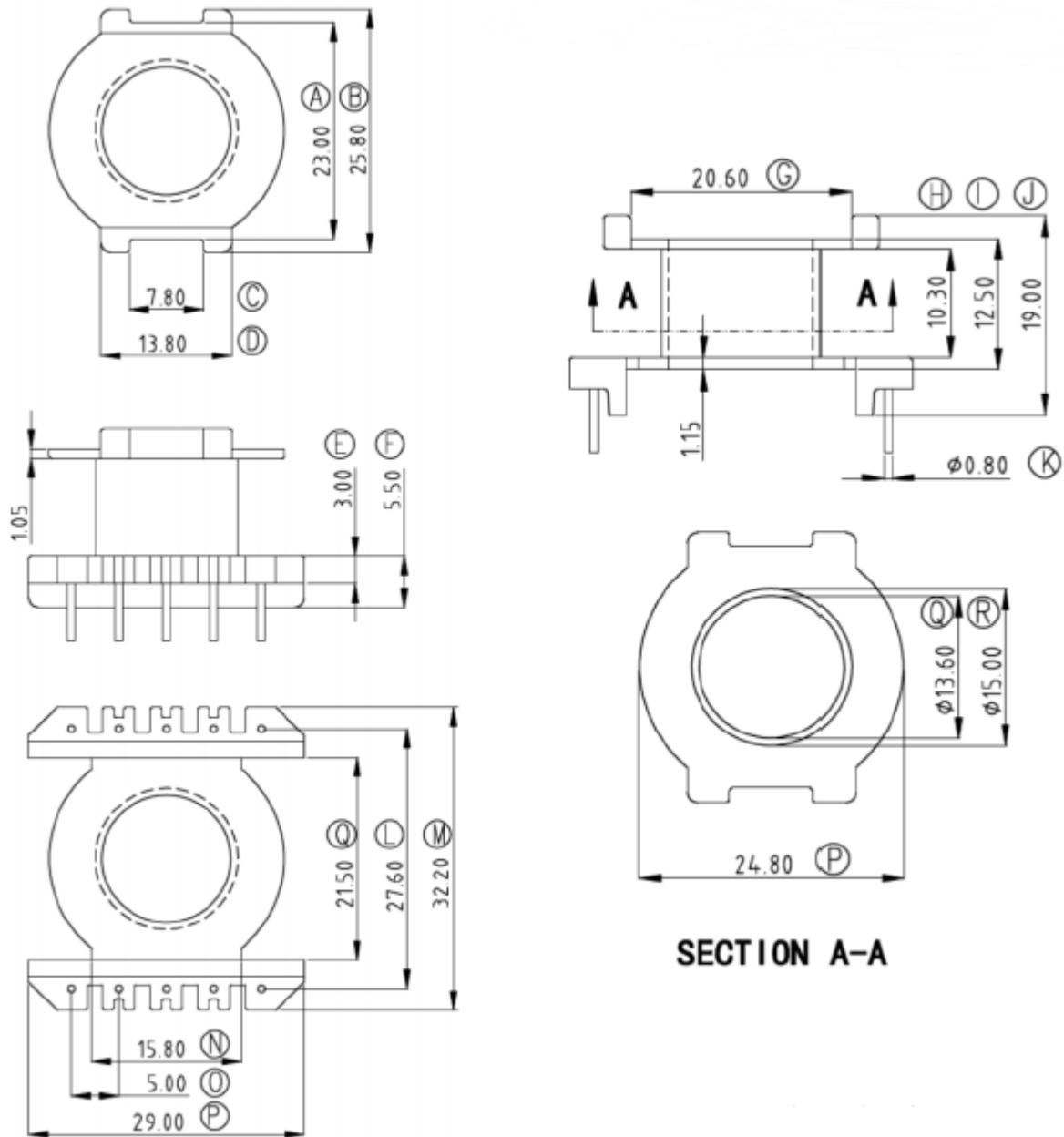



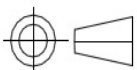


DRAFTED BY	付志良	TOLERANCE		ANGLR: ±1°	MODEL NAME: EQ-26L(5+5) PIN	
CHECKED BY	吴志权	0<L≤4 ±0.1 4<L≤16 ±0.2 16<L≤63 ±0.3	Pin pitch ±0.20	UNIT:MM	MATERIAL: PHENOLIC	UL REC: UL 94V-0
 盱眙欧歌电子有限公司 XUYI OUGE ELECTRONIC CO.,LTD. TEL: 0086-760-22286356 F AX:0086-760-22286951 Email: sales@ougedianzi.com				SCALE: 1/1	TERMINAL MAT:CP WIRE	PIN TENSION LOAD: 1.0 KGS MIN
					DATE: 2009.05.15	DRAWING NO:



DRAFTED BY	付志良	TOLERANCE		ANGLR: $\pm 1^\circ$	MODEL NAME: EQ-3016L(5+5) PIN	
CHECKED BY	吴志权	0 < L ≤ 4 ± 0.1 4 < L ≤ 16 ± 0.2 16 < L ≤ 63 ± 0.3	Pin pitch ± 0.20	UNIT:MM	MATERIAL: PHENOLIC	UL REC: UL 94V-0
 盱眙欧歌电子有限公司 XUYI OUGE ELECTRONIC CO.,LTD. TEL: 0086-760-22286356 F AX:0086-760-22286951 Email: sales@ougedianzi.com				SCALE: 1/1	TERMINAL MAT:CP WIRE	PIN TENSION LOAD: 1.0 KGS MIN
					DATE: 2009.05.15	DRAWING NO:



DRAFTED BY	付志良	TOLERANCE		ANGLR: $\pm 1^\circ$	MODEL NAME: EQ-3019L(5+5) PIN	
CHECKED BY	吴志权	0 < L ≤ 4 $\pm 0.1$ 4 < L ≤ 16 $\pm 0.2$ 16 < L ≤ 63 $\pm 0.3$	Pin pitch $\pm 0.20$	UNIT:MM	MATERIAL: PHENOLIC	UL REC: UL 94V-0
 盱眙欧歌电子有限公司 XUYI OUGE ELECTRONIC CO.,LTD. TEL: 0086-760-22286356 F AX:0086-760-22286951 Email: sales@ougedianzi.com				SCALE: 1/1	TERMINAL MAT:CP WIRE	PIN TENSION LOAD: 1.0 KGS MIN
					DATE: 2009.05.15	DRAWING NO: