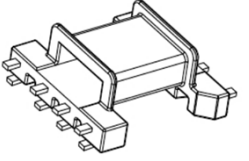
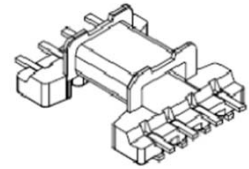
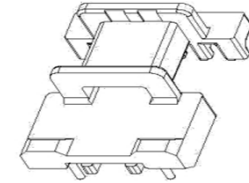
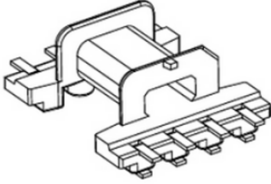
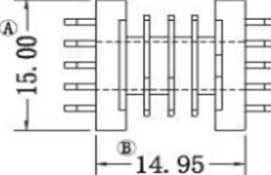
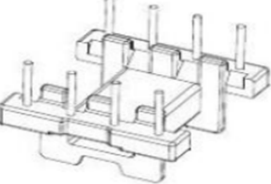
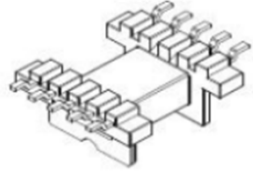
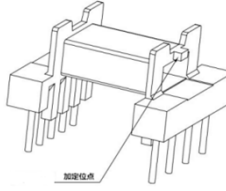
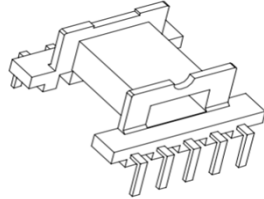
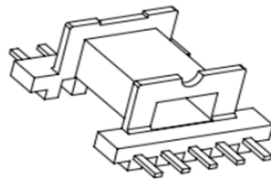
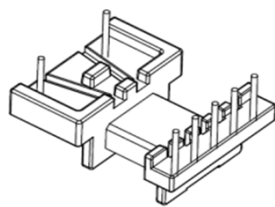
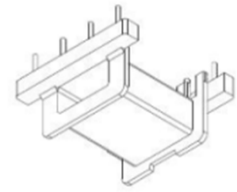
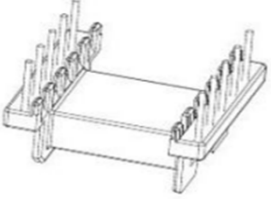
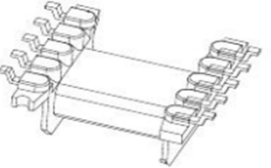
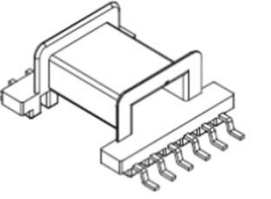
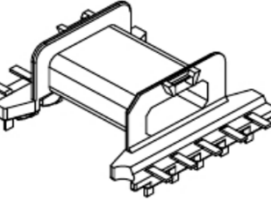
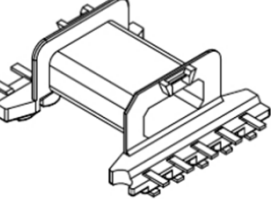
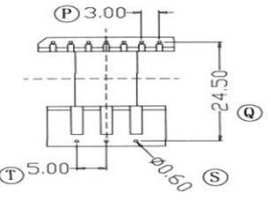


OUGE

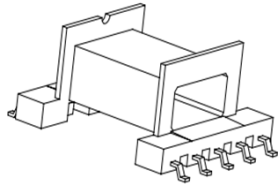
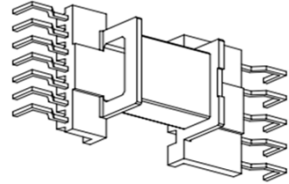
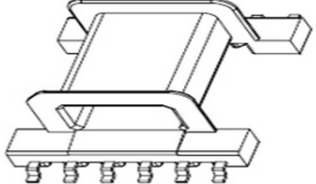
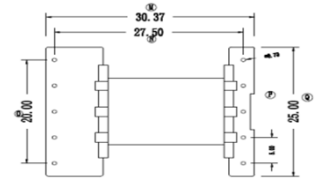
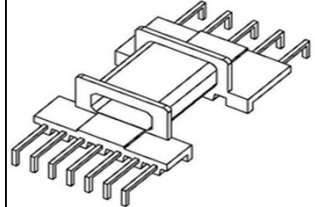
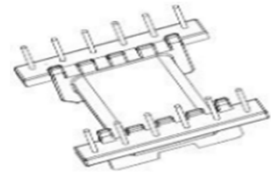
EFD Bobbin Type

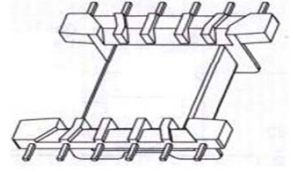
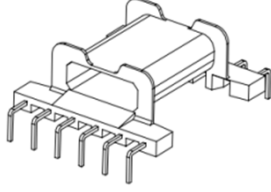
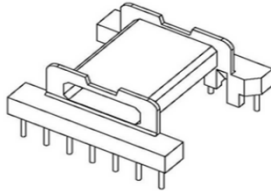
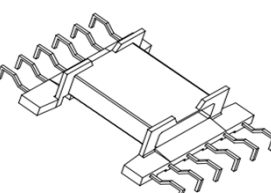
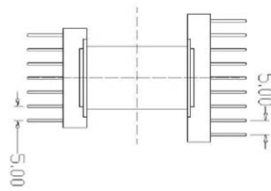
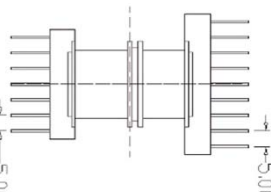
ITEM NO	DESCRIPTION	PIN CIRCUIT	PIN:PIN	ROW:ROW	PHOTO
EFD1005 SMD	EFD10 SMD	4X4	2.54	12.42	
EFD13 SMD	EFD13 SMD	4X4	3.0	17/20	
EFD1414	EFD14 DIP (Extension)	5X2	2.5/8.2	17.7	
EFD1503	EFD15 SMD	4X4	3.75	18.2/22.4	
EFD1503-2	EFD15 SMD-4Sections	5X5	2.5	21.35	
EFD1501	EFD15 DIP	4X4	3.75	13.7	

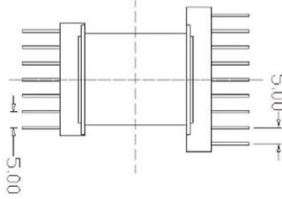
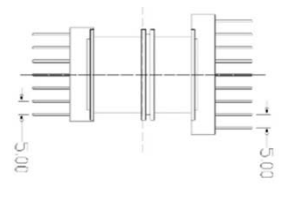
ITEM NO	DESCRIPTION	PIN CIRCUIT	PIN:PIN	ROW:ROW	PHOTO
EFD1502	EFD15 SMD	5X5	2.6	14.8	
EFD1507	EFD15 DIP	4X5	2.5/3.75	13.2	
EFD1501-1	EFD15 DIP-L pin	5X5	2.6	17.2	
EFD1501-2	EFD15 DIP	5X5	2.6	14.8	
EFD1601	EFD16 DIP (Extension)	5X2	3.0/10.0	17.5	
EFD2001	EFD20 DIP	4X4	5	17.5	

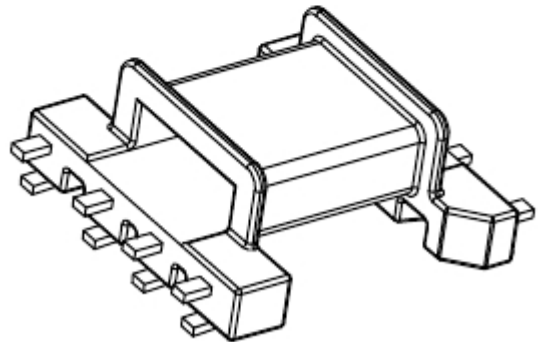
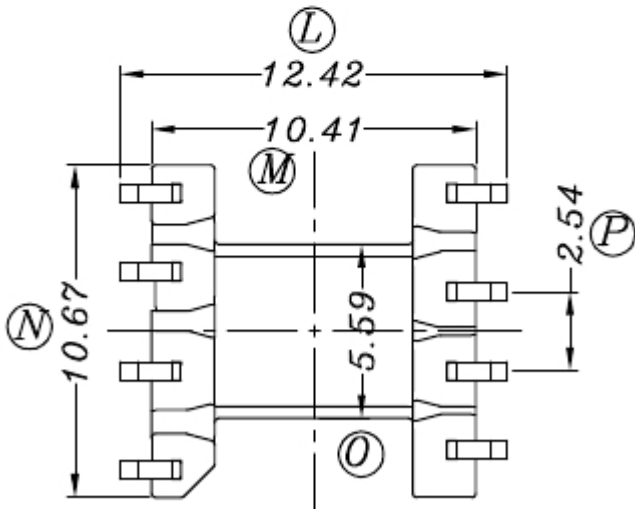
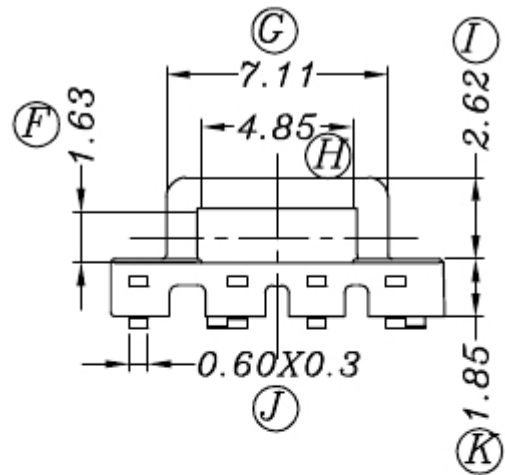
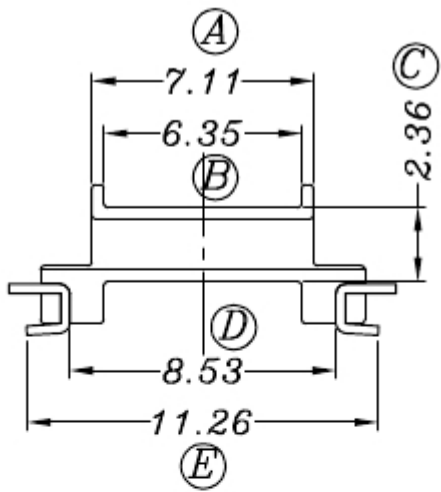
ITEM NO	DESCRIPTION	PIN CIRCUIT	PIN:PIN	ROW:ROW	PHOTO
EFD2003	EFD20 DIP	5X5	3.7	17.5	
EFD2004 SMD	EFD20 SMD	5X5	3.75	25	
EFD2002	EFD20 SMD	6X6	3	28.65	
EFD2003-1 SMD	EFD20 SMD	5X5	3.76	20.6/27.5	
EFD2003P SMD	EFD20 SMD	5X5	3.75	24.5/27.5	
EFD2003W	EFD20 DIP (Extension)	7X3	3/5	24.5	


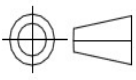
ITEM NO	DESCRIPTION	PIN CIRCUIT	PIN:PIN	ROW:ROW	PHOTO
EFD2004	EFD20 DIP (Extension)	7X3	3/5	22.5	
EFD2006	EFD20 DIP (2Sections)	4X4	5.0	17.5	
EFD2504	EFD25 DIP (Extension)	6X6	3.8	28.6	
EFD2501	EFD25 DIP	5X5	5	22.5	
EFD2502	EFD25 DIP	5X5	5	22.5	
EFD2503	EFD25 DIP	5X5	5	22.5	

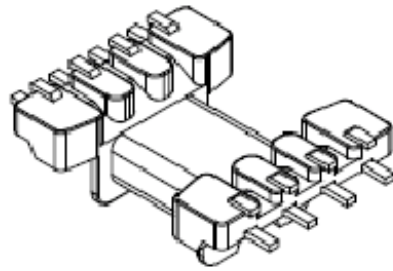
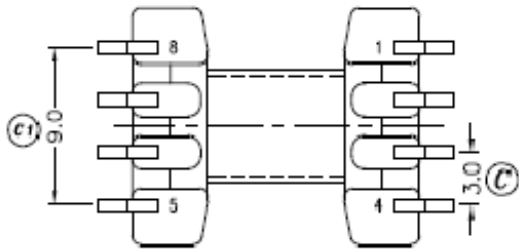
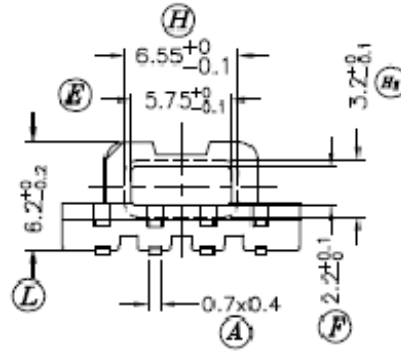
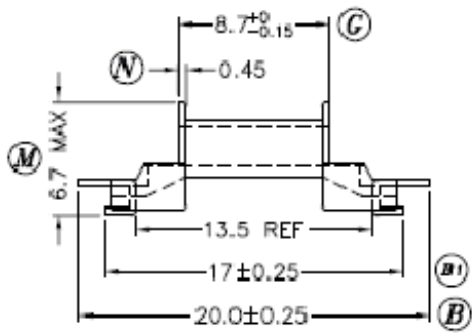
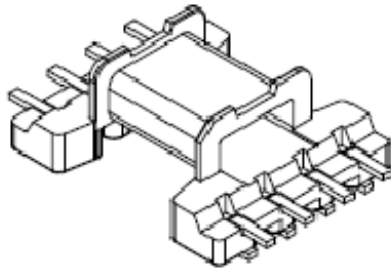
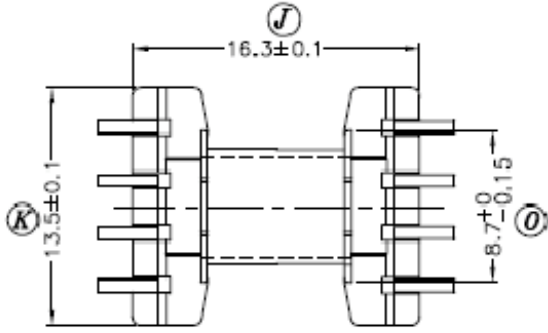
ITEM NO	DESCRIPTION	PIN CIRCUIT	PIN:PIN	ROW:ROW	PHOTO
EFD2504 SMD	EFD25 SMD	5X5	5.0	26	
EFD2502B	EFD25 SMD	5X7	3.5/5	52	
EFD2502P SMD	EFD25 SMD	6X6	4	31.5	
EFD2506	EFD25 DIP (Extension)	5X5	5.0	27.5	
EFD2506-2	EFD25 DIP-L PIN	7X5	3.5/5	52	
EFD3001	EFD30 DIP	6X6	5.0	27.6	


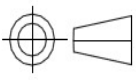
ITEM NO	DESCRIPTION	PIN CIRCUIT	PIN:PIN	ROW:ROW	PHOTO
EFD3000L	EFD30 DIP	6X6	5.0	40.0	
EFD3003	EFD30 DIP	6X6	5.0	40	
EFD3002	EFD30 DIP	7X7	4.5	27.4	
EFD3002-1	EFD30 SMD	6X6	5.0	46	
EFD4001L	EFD40 SMD	9X7	5.0	65	
EFD4002L	EFD40 SMD	9X7	5.0	65	

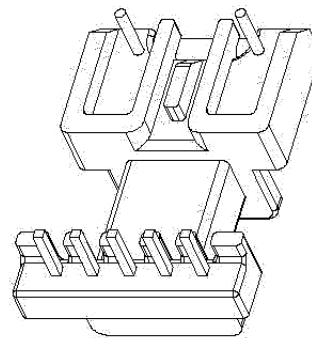
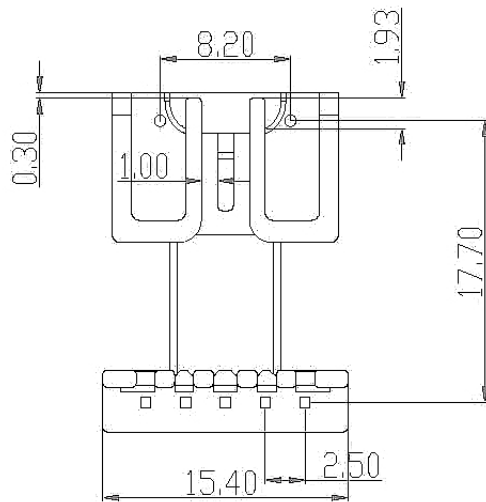
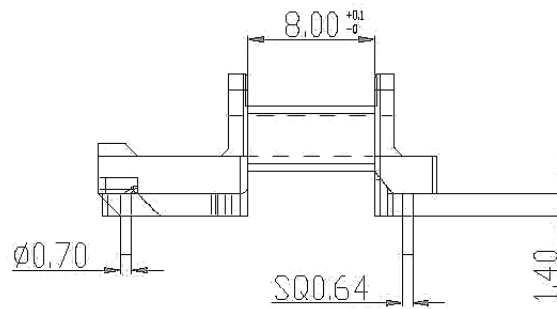
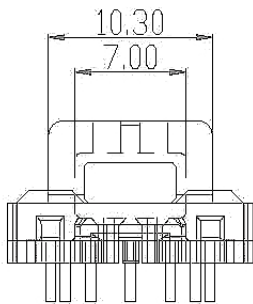
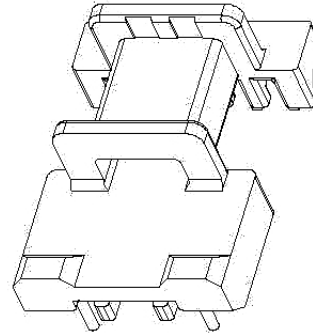
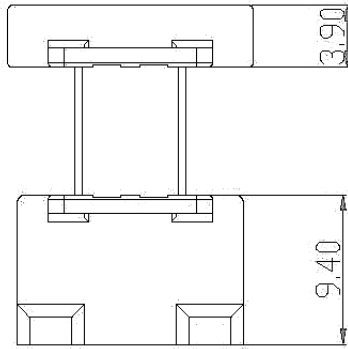
ITEM NO	DESCRIPTION	PIN CIRCUIT	PIN:PIN	ROW:ROW	PHOTO
EFD5001L	EFD50 SMD	9X7	5.0	72.5	
EFD5002L	EFD50 SMD	9X7	5.0	72.5	


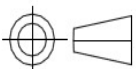


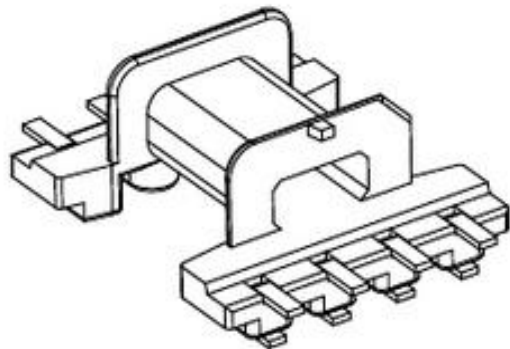
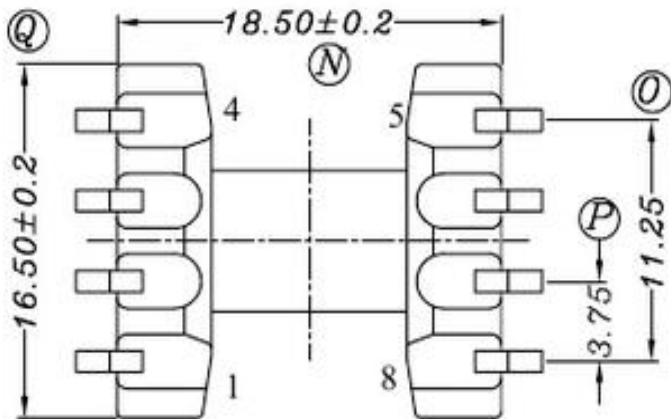
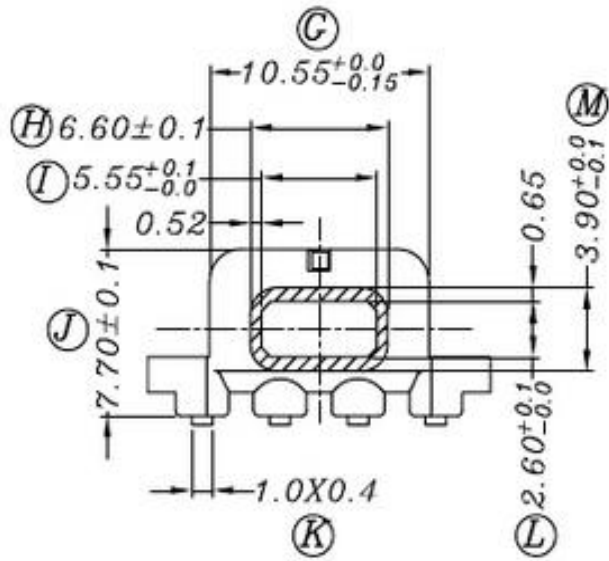
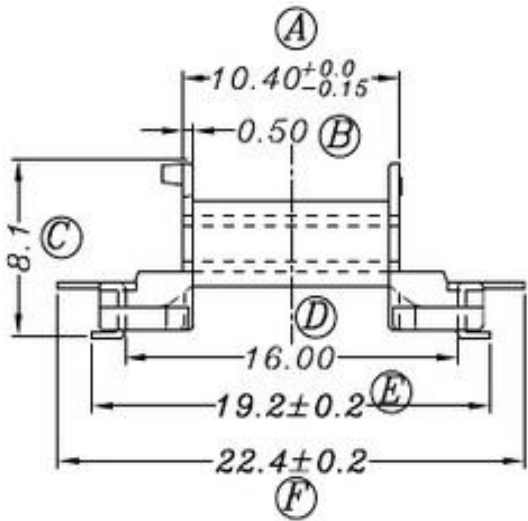
DRAFTED BY	付志良	TOLERANCE		ANGLR: ±1°	MODEL NAME: EFD-10(5+5) PIN	
CHECKED BY	吴志权	0<L≤4 ±0.1 4<L≤16 ±0.2 16<L≤63 ±0.3	Pin pitch ±0.20	UNIT:MM	MATERIAL: PHENOLIC	UL REC: UL 94V-0
 盱眙欧歌电子有限公司 XUYI OUGE ELECTRONIC CO.,LTD. TEL: 0086-760-22286356 F AX:0086-760-22286951 Email: sales@ougedianzi.com				SCALE: 1/1	TERMINAL MAT:CP WIRE	PIN TENSION LOAD: 1.0 KGS MIN
					DATE: 2014.03.28	DRAWING NO:


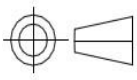


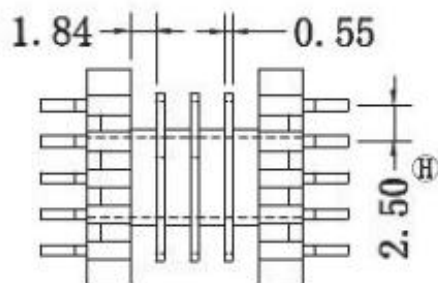
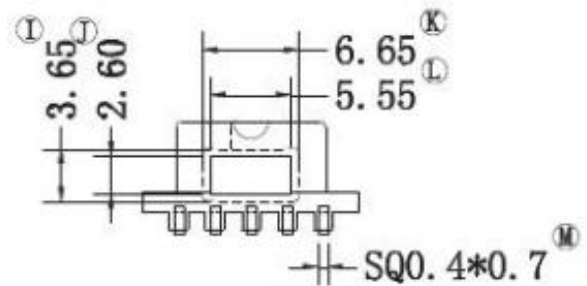
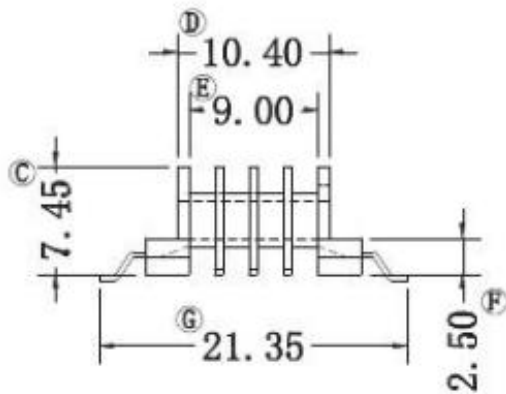
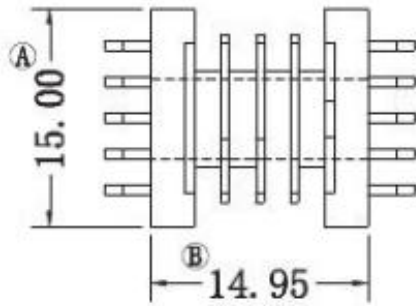
DRAFTED BY	付志良	TOLERANCE		ANGLR: ±1°	MODEL NAME: EFD-12.5H(4+4) PIN	
CHECKED BY	吴志权	0<L≤4 ±0.1 4<L≤16 ±0.2 16<L≤63 ±0.3	Pin pitch ±0.20	UNIT:MM	MATERIAL: PHENOLIC	UL REC: UL 94V-0
 盱眙欧歌电子有限公司 XUYI OUGE ELECTRONIC CO.,LTD. TEL: 0086-760-22286356 F AX:0086-760-22286951 Email: sales@ougedianzi.com				SCALE: 1/1	TERMINAL MAT:CP WIRE	PIN TENSION LOAD: 1.0 KGS MIN
					DATE: 2015.05.15	DRAWING NO:


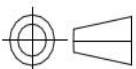


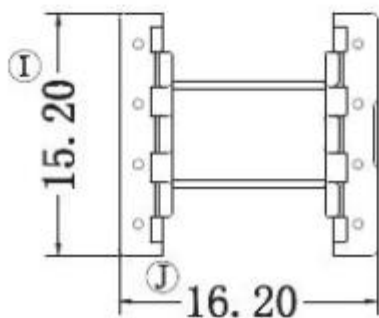
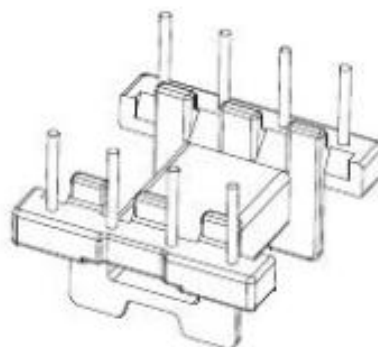
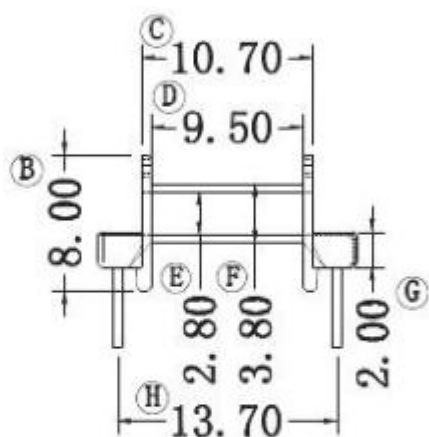
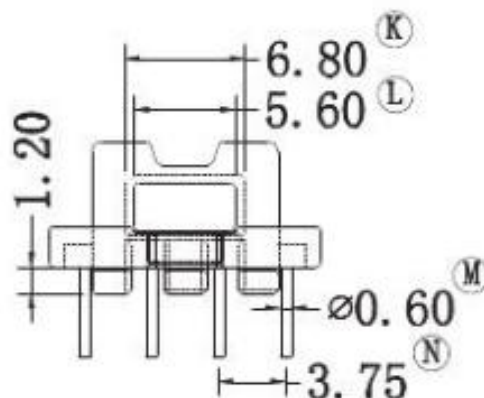
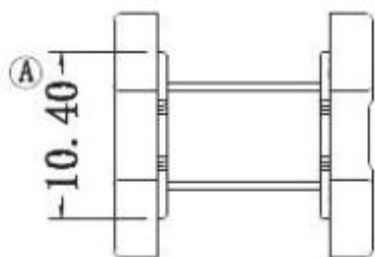
DRAFTED BY	付志良	TOLERANCE		ANGLR: ±1°	MODEL NAME: EFD-14H(5+4) PIN	
CHECKED BY	吴志权	0<L≤4 ±0.1 4<L≤16 ±0.2 16<L≤63 ±0.3	Pin pitch ±0.20	UNIT:MM	MATERIAL: PHENOLIC	UL REC: UL 94V-0
 盱眙欧歌电子有限公司 XUYI OUGE ELECTRONIC CO.,LTD. TEL: 0086-760-22286356 F AX:0086-760-22286951 Email: sales@ougedianzi.com				SCALE: 1/1	TERMINAL MAT:CP WIRE	PIN TENSION LOAD: 1.0 KGS MIN
					DATE: 2015.05.15	DRAWING NO:


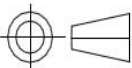


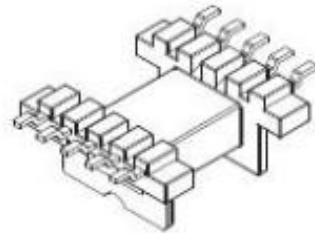
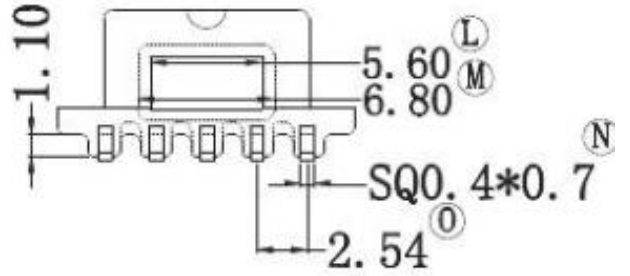
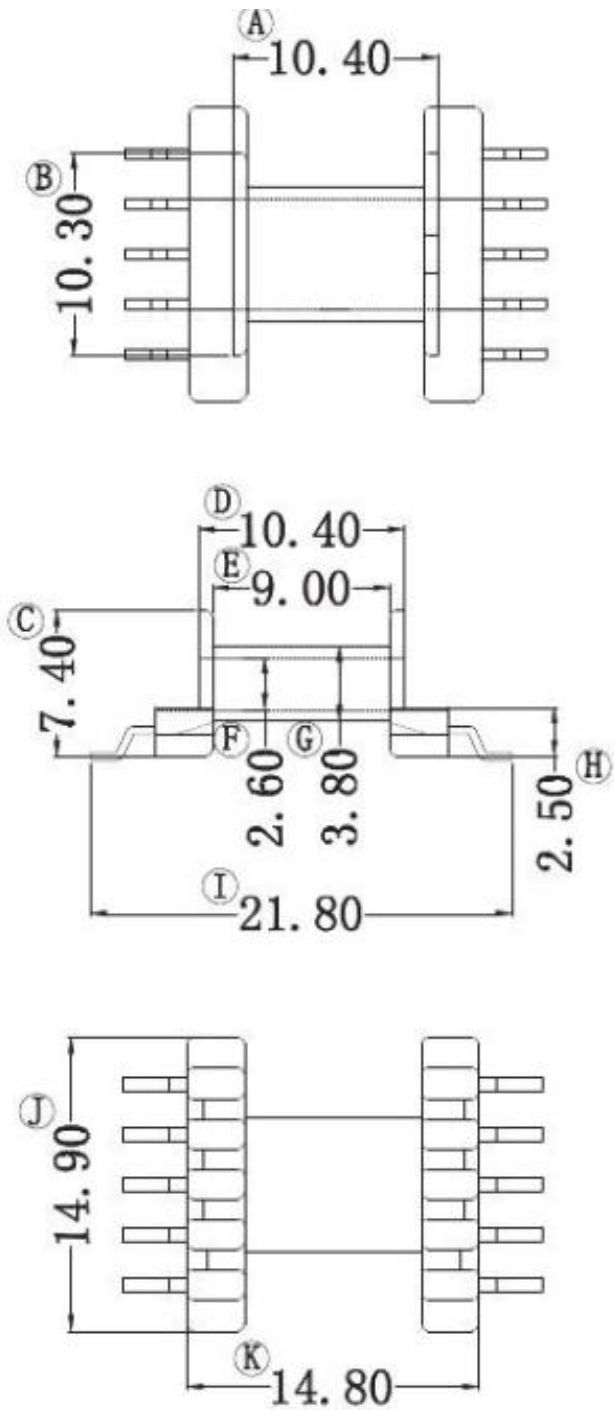
DRAFTED BY	付志良	TOLERANCE		ANGLR: ±1°	MODEL NAME: EFD-15H(4+4) PIN	
CHECKED BY	吴志权	0<L≤4 ±0.1 4<L≤16 ±0.2 16<L≤63 ±0.3	Pin pitch ±0.20	UNIT:MM	MATERIAL: PHENOLIC	UL REC: UL 94V-0
 盱眙欧歌电子有限公司 XUYI OUGE ELECTRONIC CO.,LTD. TEL: 0086-760-22286356 F AX:0086-760-22286951 Email: sales@ougedianzi.com				SCALE: 1/1	TERMINAL MAT:CP WIRE	PIN TENSION LOAD: 1.0 KGS MIN
					DATE: 2014.03.28	DRAWING NO:


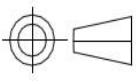


DRAFTED BY	付志良	TOLERANCE		ANGLR: ±1°	MODEL NAME: EFD-15H(4SEC5+5) PIN	
CHECKED BY	吴志权	0<L≤4 ±0.1 4<L≤16 ±0.2 16<L≤63 ±0.3	Pin pitch ±0.20	UNIT:MM	MATERIAL: PHENOLIC	UL REC: UL 94V-0
 盱眙欧歌电子有限公司 XUYI OUGE ELECTRONIC CO.,LTD. TEL: 0086-760-22286356 F AX:0086-760-22286951 Email: sales@ougedianzi.com				SCALE: 1/1	TERMINAL MAT:CP WIRE	PIN TENSION LOAD: 1.0 KGS MIN
					DATE: 2014.03.28	DRAWING NO:



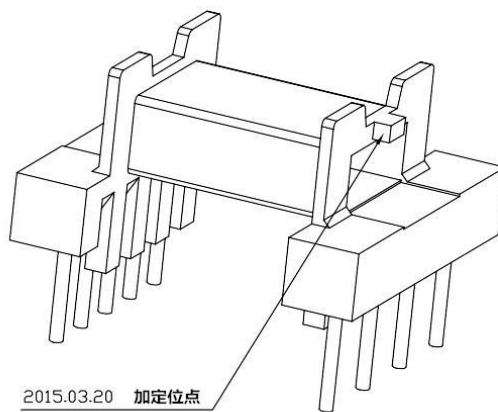
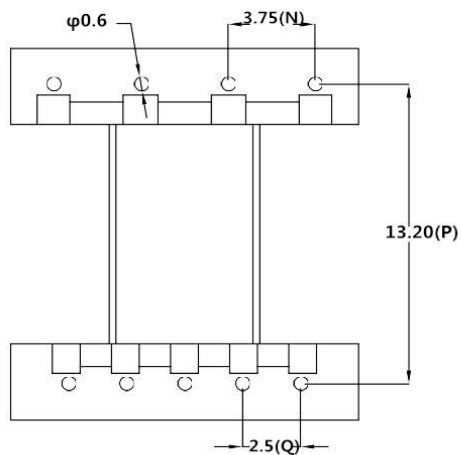
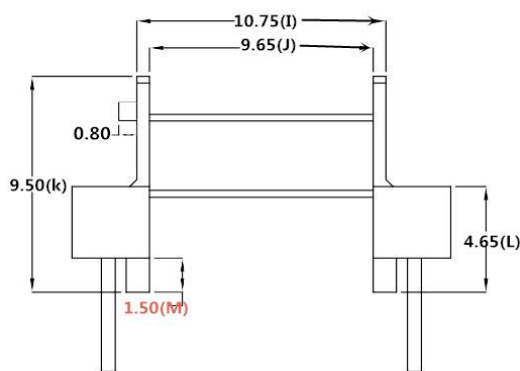
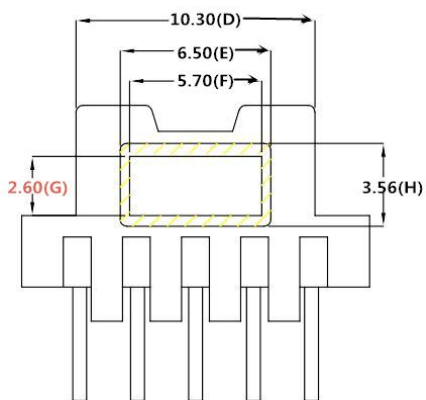
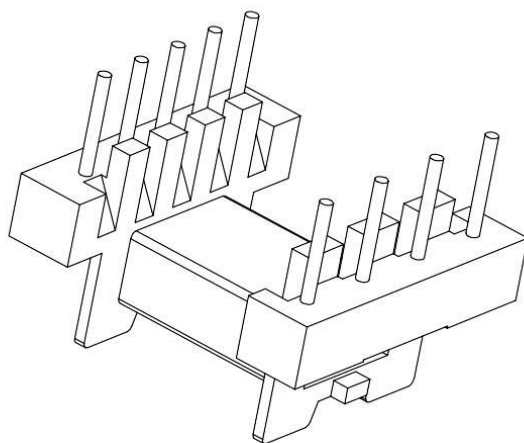
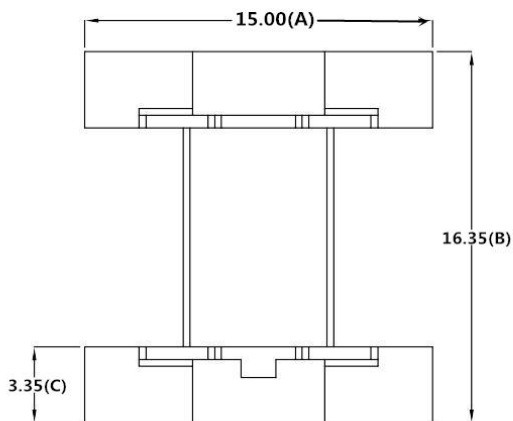
DRAFTED BY	付志良	TOLERANCE		ANGLR: ±1°	MODEL NAME: EFD-15H(4+4) PIN	
CHECKED BY	吴志权	0<L≤4 ±0.1 4<L≤16 ±0.2 16<L≤63 ±0.3	Pin pitch ±0.20	UNIT:MM	MATERIAL: PHENOLIC	UL REC: UL 94V-0
 盱眙欧歌电子有限公司 XUYI OUGE ELECTRONIC CO.,LTD. TEL: 0086-760-22286356 F AX:0086-760-22286951 Email: sales@ougedianzi.com				SCALE: 1/1	TERMINAL MAT:CP WIRE	PIN TENSION LOAD: 1.0 KGS MIN
					DATE: 2015.05.15	DRAWING NO:


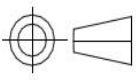


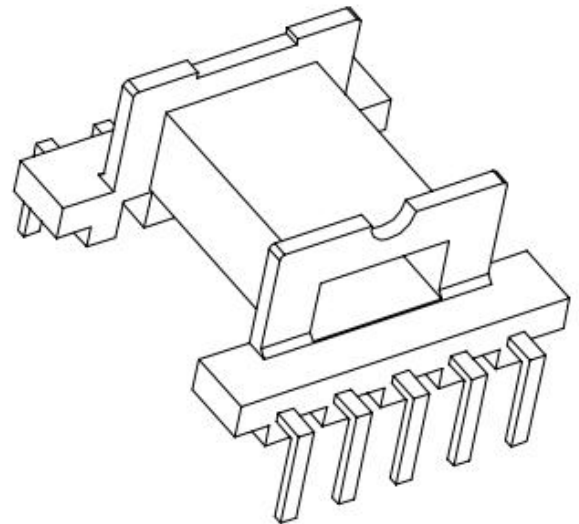
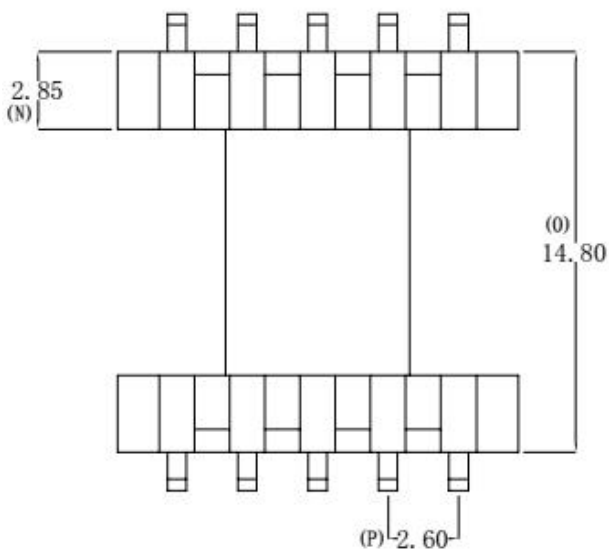
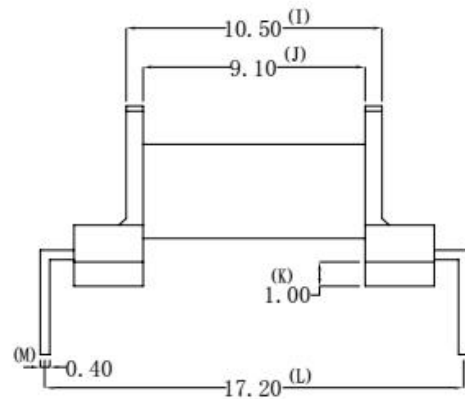
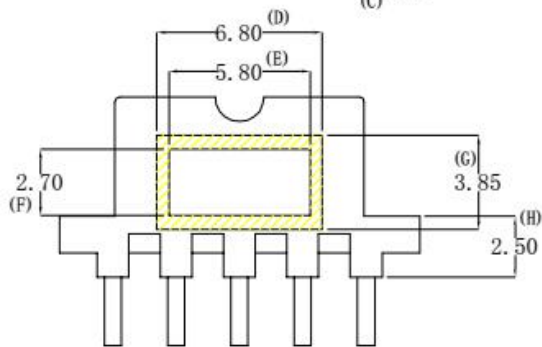
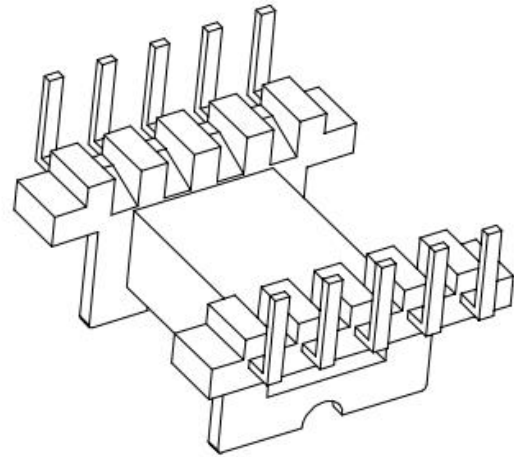
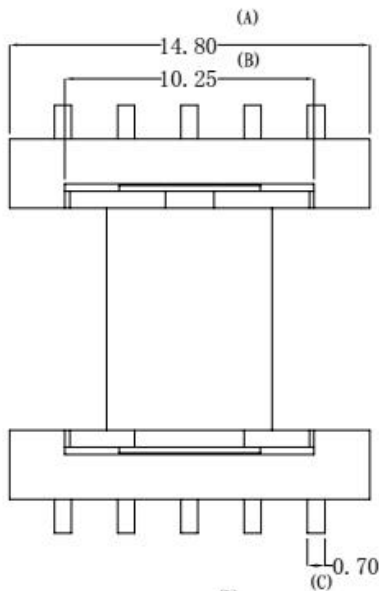
DRAFTED BY	付志良	TOLERANCE		ANGLR: ±1°	MODEL NAME: EFD-15H(5+5) PIN	
CHECKED BY	吴志权	0<L≤4 ±0.1 4<L≤16 ±0.2 16<L≤63 ±0.3	Pin pitch ±0.20	UNIT:MM	MATERIAL: PHENOLIC	UL REC: UL 94V-0
 盱眙欧歌电子有限公司 XUYI OUGE ELECTRONIC CO.,LTD. TEL: 0086-760-22286356 F AX:0086-760-22286951 Email: sales@ougedianzi.com				SCALE: 1/1	TERMINAL MAT:CP WIRE	PIN TENSION LOAD: 1.0 KGS MIN
					DATE: 2015.05.15	DRAWING NO:


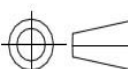
ISSUE	DESCRIPTION	DATE
A	RELEASE FOR QUOTATION	12.01.12
A-1	由G尺寸2.7MM更改为2.60MM	14.01.10
A-2	PIN座突点原来1.00现加高1.50	15.03.20

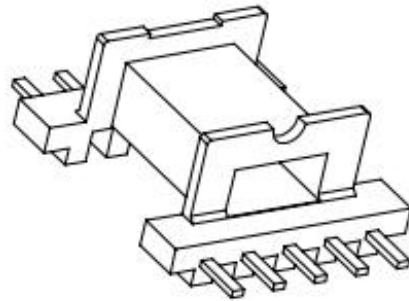
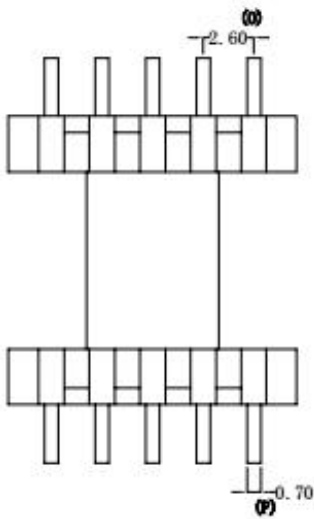
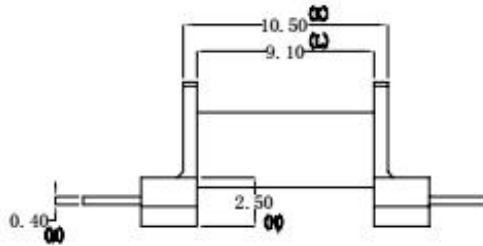
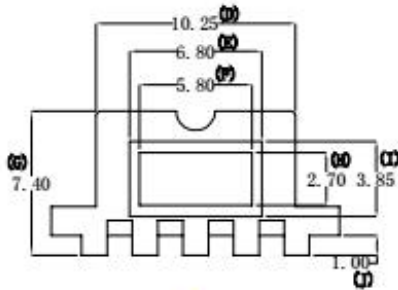
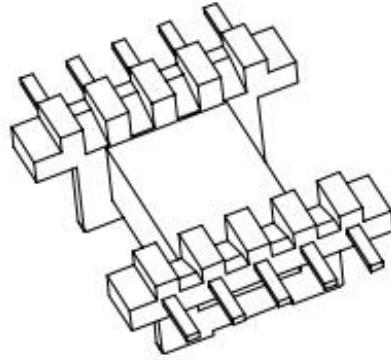
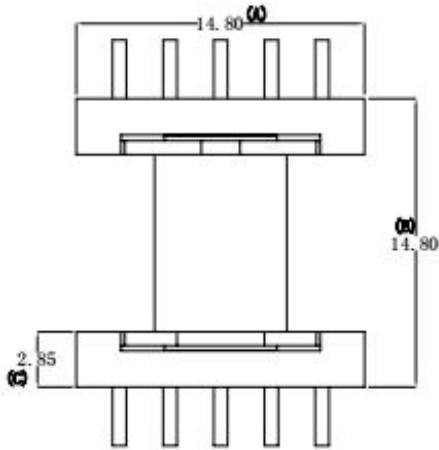
Item	EFD-1507
------	----------



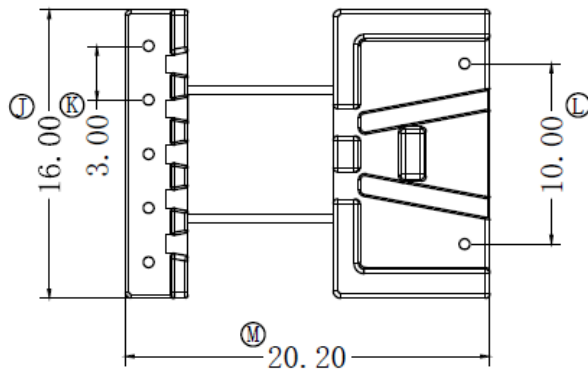
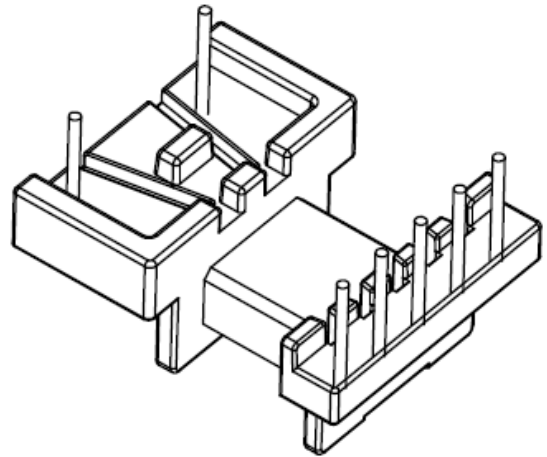
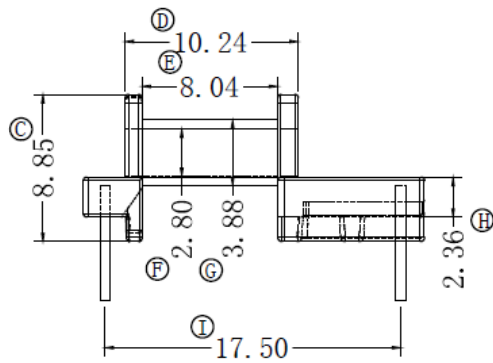
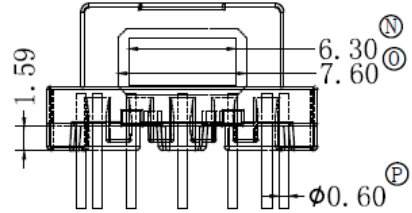
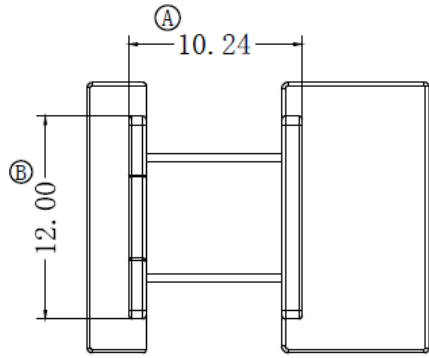
DRAFTED BY	付志良	TOLERANCE		ANGLR: ±1°	MODEL NAME: EFD-15H(4+5) PIN	
CHECKED BY	吴志权	0<L≤4 ±0.1 4<L≤16 ±0.2 16<L≤63 ±0.3	Pin pitch ±0.20	UNIT:MM	MATERIAL: PHENOLIC	UL REC: UL 94V-0
 盱眙欧歌电子有限公司 XUYI OUGE ELECTRONIC CO.,LTD. TEL: 0086-760-22286356 F AX:0086-760-22286951 Email: sales@ougedianzi.com				SCALE: 1/1	TERMINAL MAT:CP WIRE	PIN TENSION LOAD: 1.0 KGS MIN
					DATE: 2018.01	DRAWING NO:


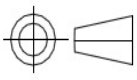


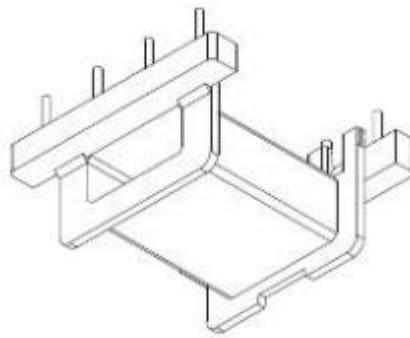
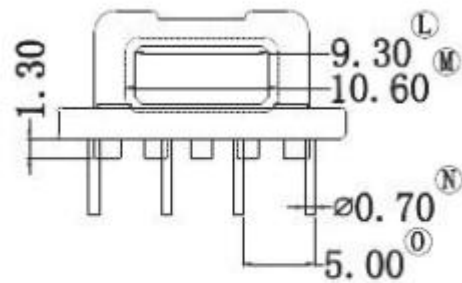
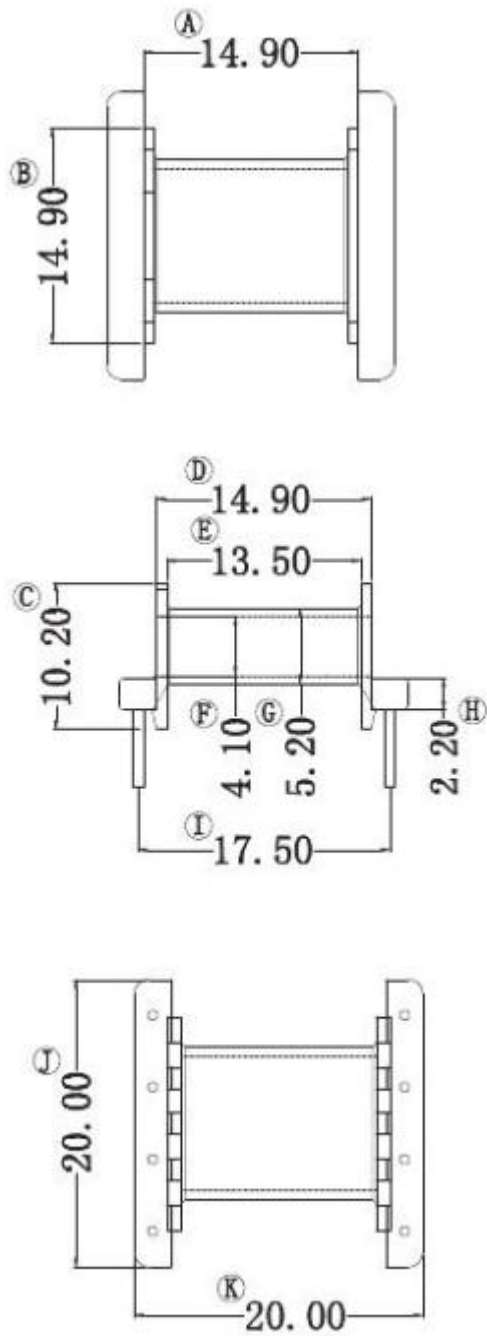
DRAFTED BY	付志良	TOLERANCE		ANGLR: ±1°	MODEL NAME: EFD-15H(5+5) PIN	
CHECKED BY	吴志权	0<L≤4 ±0.1	Pin pitch ±0.20	UNIT:MM	MATERIAL: PHENOLIC	UL REC: UL 94V-0
		4<L≤16 ±0.2			16<L≤63 ±0.3	
 盱眙欧歌电子有限公司 XUYI OUGE ELECTRONIC CO.,LTD. TEL: 0086-760-22286356 F AX:0086-760-22286951 Email: sales@ougedianzi.com				SCALE: 1/1	TERMINAL MAT:CP WIRE	PIN TENSION LOAD: 1.0 KGS MIN
					DATE: 2015.05.15	DRAWING NO:


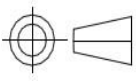


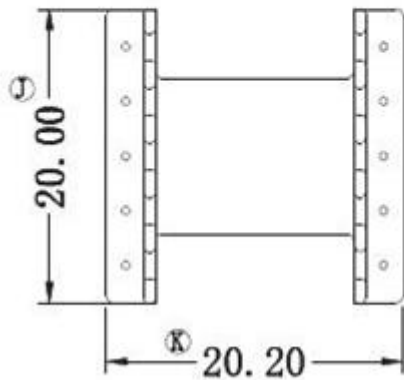
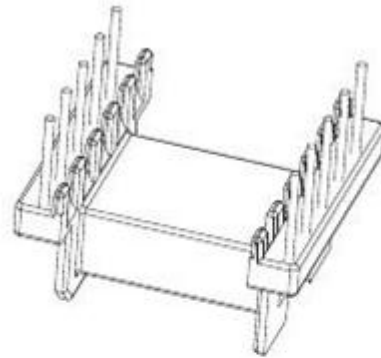
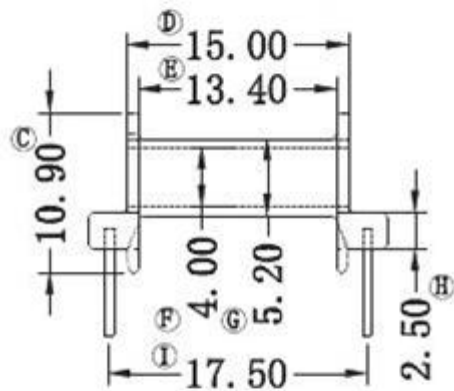
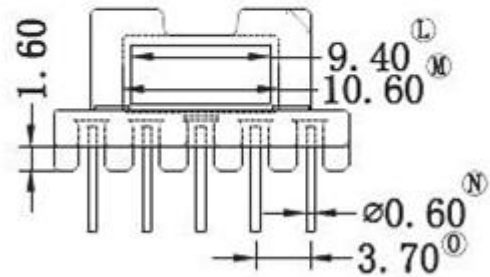
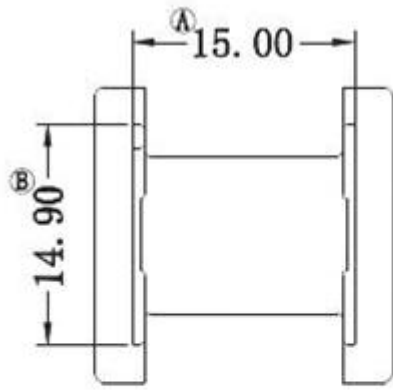
DRAFTED BY	付志良	TOLERANCE		ANGLR: ±1°	MODEL NAME: EFD-15H(5+5) PIN	
CHECKED BY	吴志权	0<L≤4 ±0.1 4<L≤16 ±0.2 16<L≤63 ±0.3	Pin pitch ±0.20	UNIT:MM	MATERIAL: PHENOLIC	UL REC: UL 94V-0
<p>盱眙欧歌电子有限公司 XUYI OUGE ELECTRONIC CO.,LTD.</p> <p>TEL: 0086-760-22286356 F AX:0086-760-22286951 Email: sales@ougedianzi.com</p>				SCALE: 1/1	TERMINAL MAT:CP WIRE	PIN TENSION LOAD: 1.0 KGS MIN
					DATE: 2015.05.15	DRAWING NO:


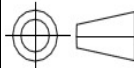


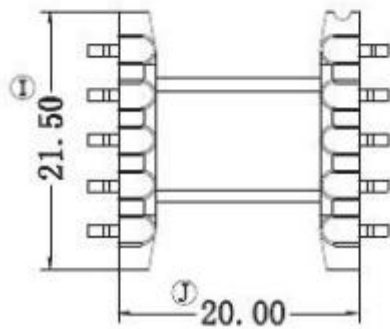
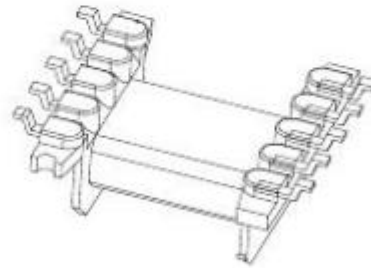
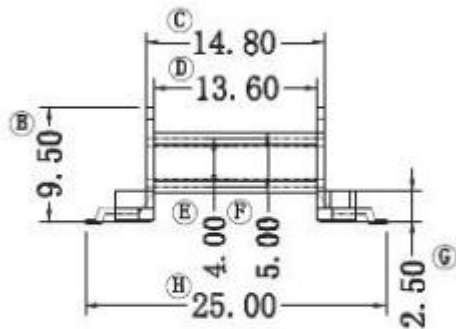
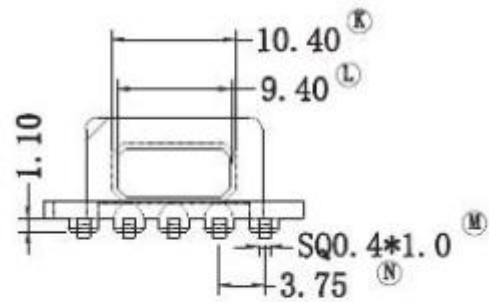
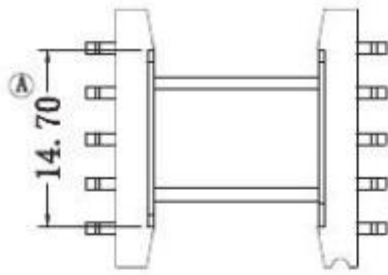
DRAFTED BY	付志良	TOLERANCE		ANGLR: ±1°	MODEL NAME: EFD-16H(5+4) PIN	
CHECKED BY	吴志权	0<L≤4 ±0.1 4<L≤16 ±0.2 16<L≤63 ±0.3	Pin pitch ±0.20	UNIT:MM	MATERIAL: PHENOLIC	UL REC: UL 94V-0
 盱眙欧歌电子有限公司 XUYI OUGE ELECTRONIC CO.,LTD. TEL: 0086-760-22286356 F AX:0086-760-22286951 Email: sales@ougedianzi.com				SCALE: 1/1	TERMINAL MAT:CP WIRE	PIN TENSION LOAD: 1.0 KGS MIN
					DATE: 2015.05.15	DRAWING NO:


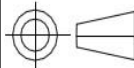


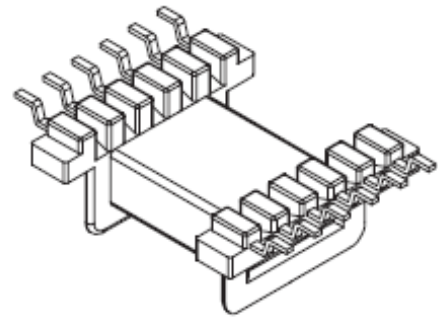
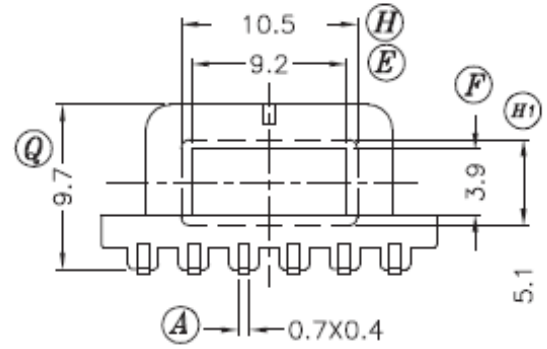
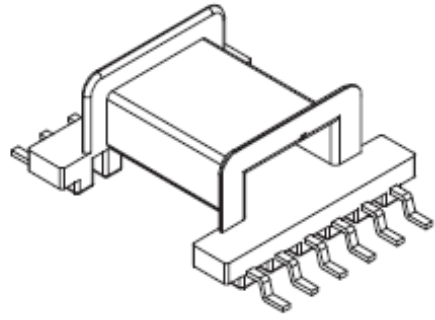
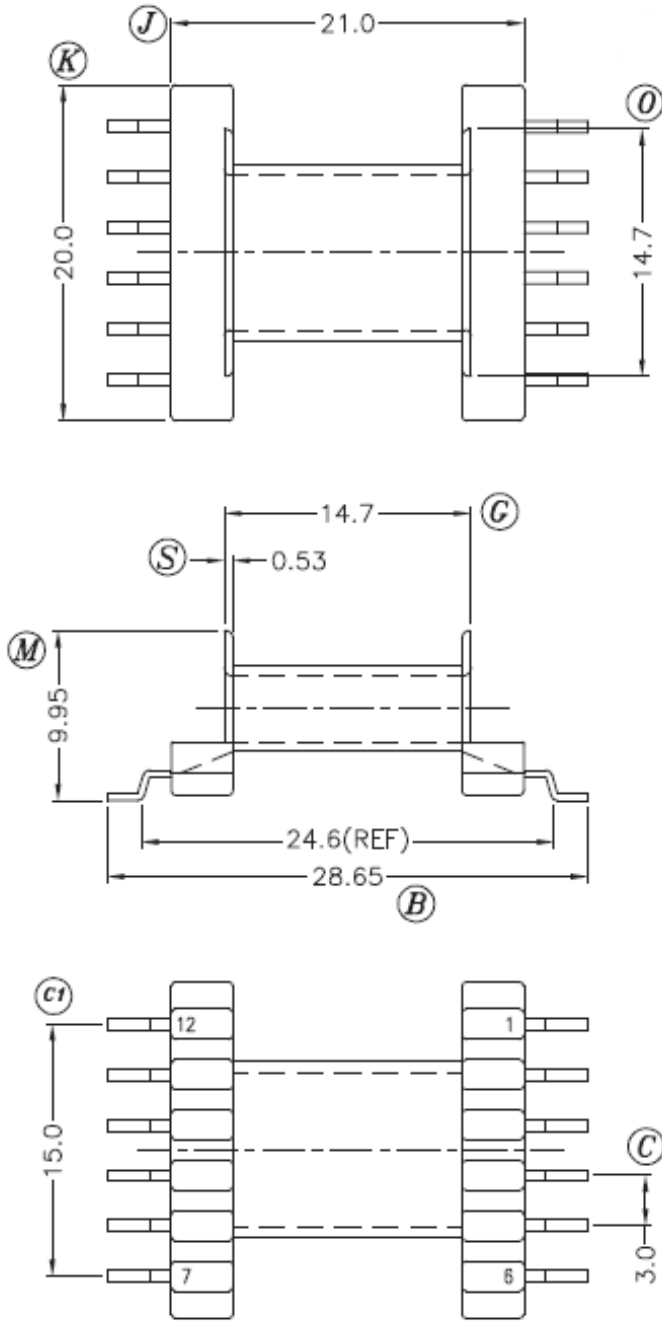
DRAFTED BY	付志良	TOLERANCE		ANGLR: $\pm 1^\circ$	MODEL NAME: EFD-20H(4+4) PIN	
CHECKED BY	吴志权	0 < L ≤ 4 ± 0.1 4 < L ≤ 16 ± 0.2 16 < L ≤ 63 ± 0.3	Pin pitch ± 0.20	UNIT:MM	MATERIAL: PHENOLIC	UL REC: UL 94V-0
 盱眙欧歌电子有限公司 XUYI OUGE ELECTRONIC CO.,LTD. TEL: 0086-760-22286356 F AX:0086-760-22286951 Email: sales@ougedianzi.com				SCALE: 1/1	TERMINAL MAT:CP WIRE	PIN TENSION LOAD: 1.0 KGS MIN
					DATE: 2015.05.15	DRAWING NO:


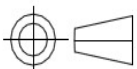


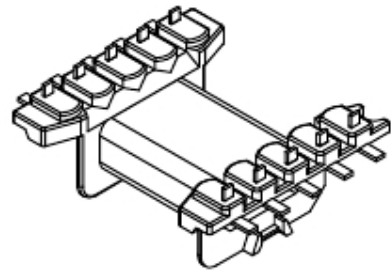
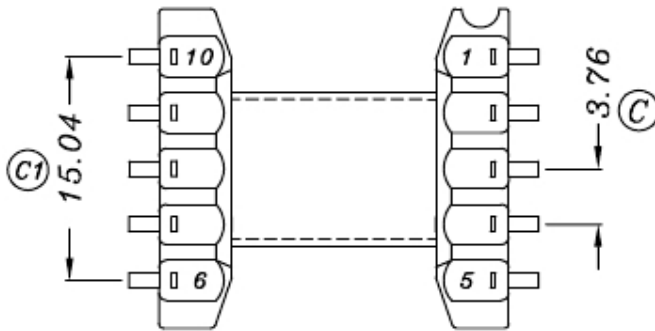
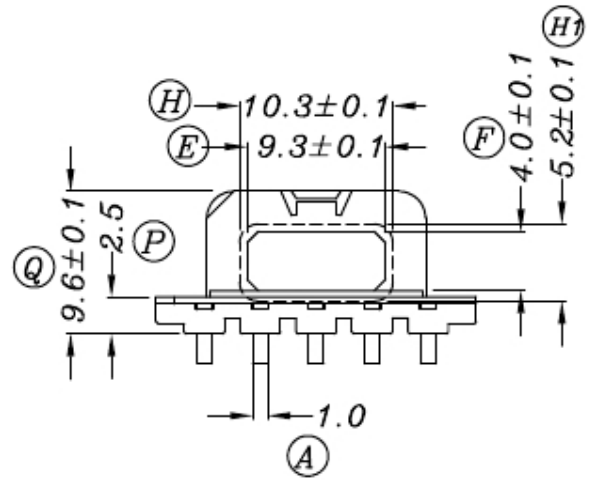
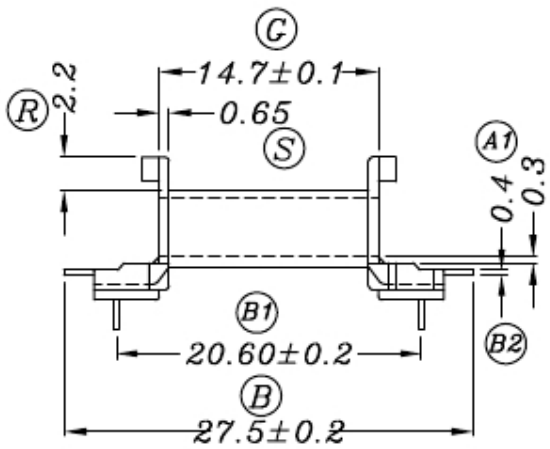
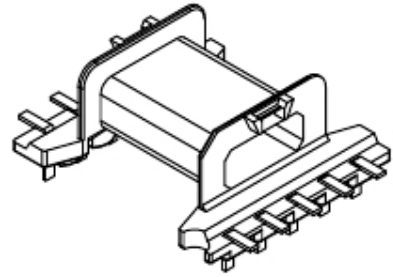
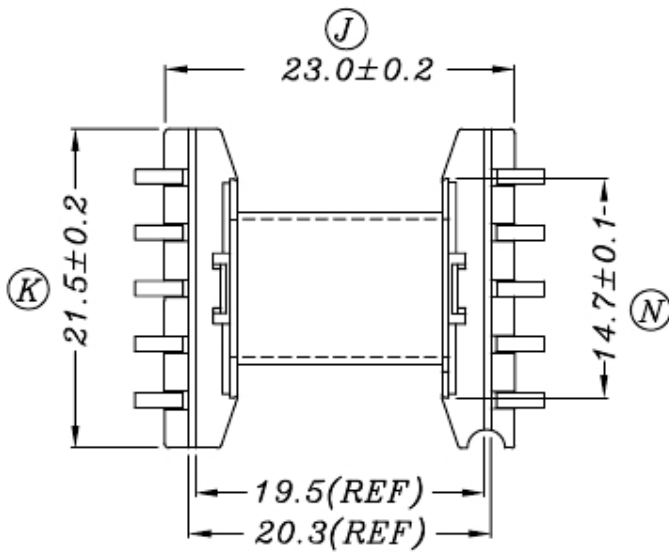
DRAFTED BY	付志良	TOLERANCE		ANGLR: ±1°	MODEL NAME: EFD-20H(5+5) PIN	
CHECKED BY	吴志权	0<L≤4 ±0.1 4<L≤16 ±0.2 16<L≤63 ±0.3	Pin pitch ±0.20	UNIT:MM	MATERIAL: PHENOLIC	UL REC: UL 94V-0
 盱眙欧歌电子有限公司 XUYI OUGE ELECTRONIC CO.,LTD. TEL: 0086-760-22286356 F AX:0086-760-22286951 Email: sales@ougedianzi.com				SCALE: 1/1	TERMINAL MAT:CP WIRE	PIN TENSION LOAD: 1.0 KGS MIN
					DATE: 2015.05.15	DRAWING NO:


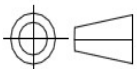


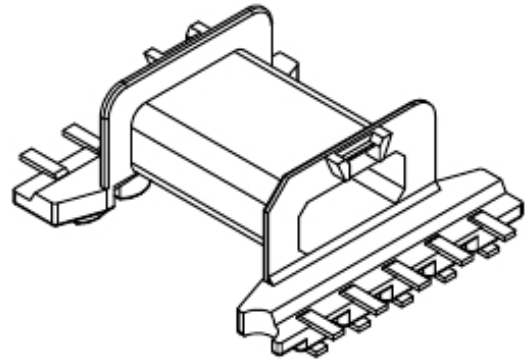
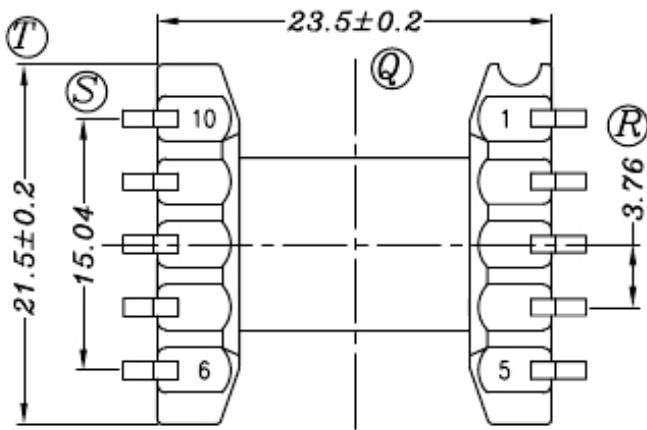
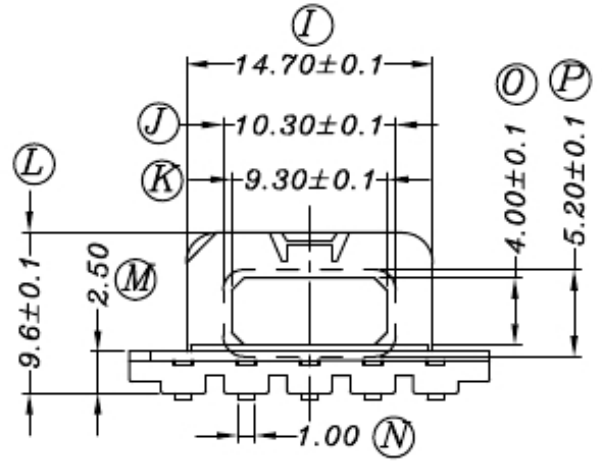
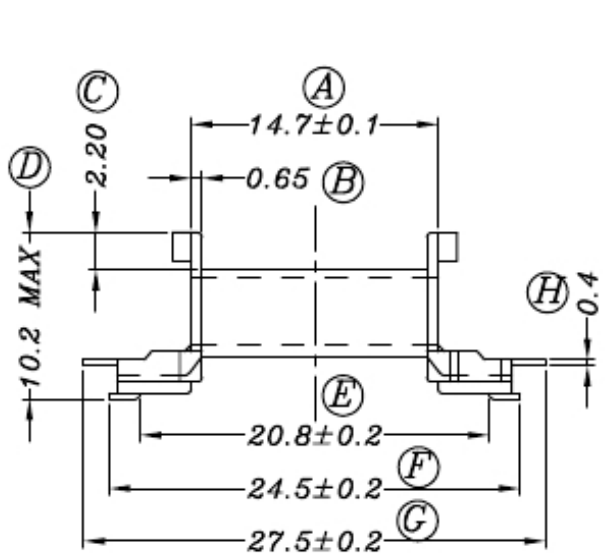
DRAFTED BY	付志良	TOLERANCE		ANGLR: ±1°	MODEL NAME: EFD-20H(5+5) PIN	
CHECKED BY	吴志权	0<L≤4 ±0.1 4<L≤16 ±0.2 16<L≤63 ±0.3	Pin pitch ±0.20	UNIT:MM	MATERIAL: PHENOLIC	UL REC: UL 94V-0
 盱眙欧歌电子有限公司 XUYI OUGE ELECTRONIC CO.,LTD. TEL: 0086-760-22286356 F AX:0086-760-22286951 Email: sales@ougedianzi.com				SCALE: 1/1	TERMINAL MAT:CP WIRE	PIN TENSION LOAD: 1.0 KGS MIN
					DATE: 2015.05.15	DRAWING NO:


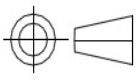


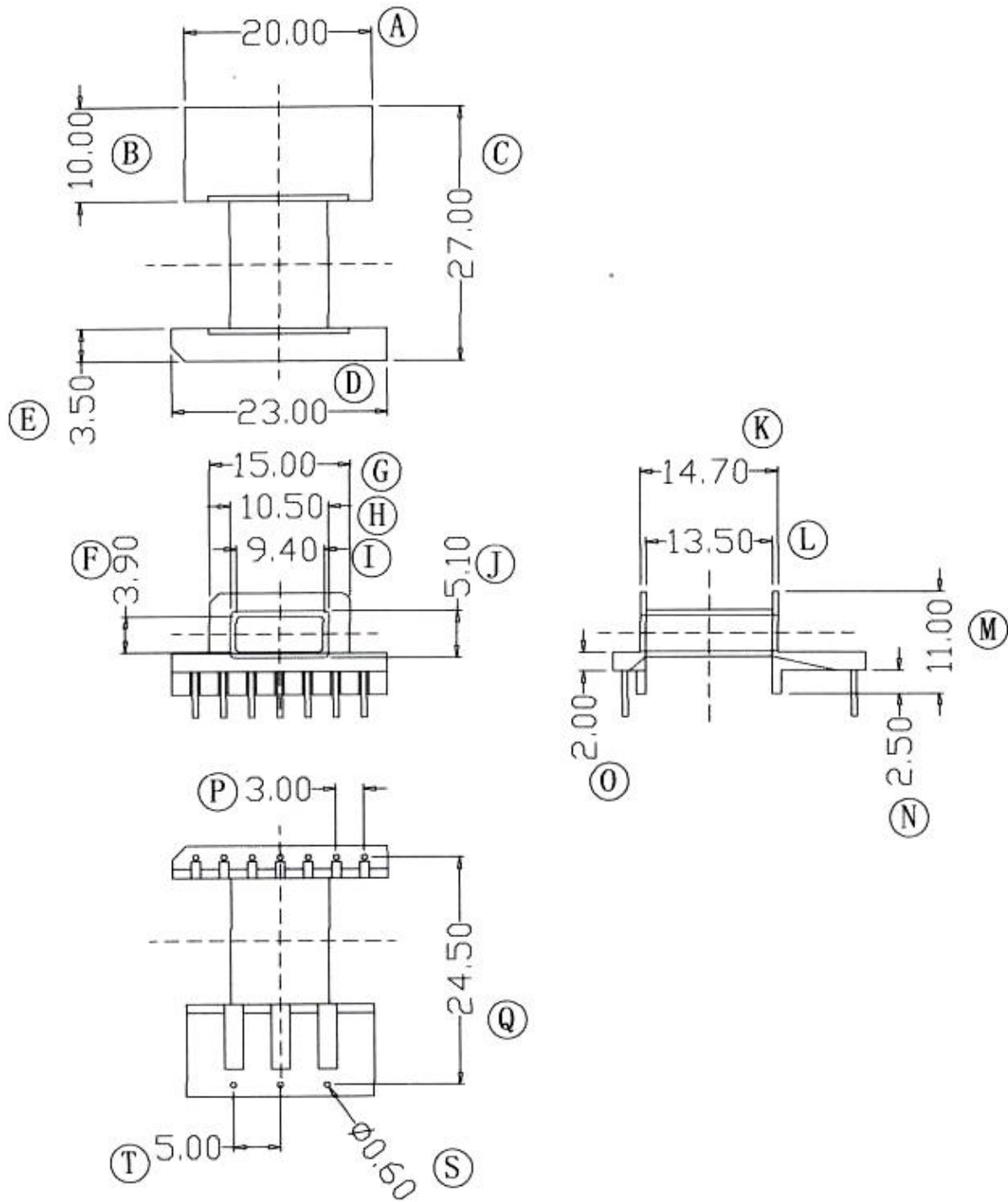
DRAFTED BY	付志良	TOLERANCE		ANGLR: ±1°	MODEL NAME: EFD-20SMD(6+6) PIN		
CHECKED BY	吴志权	0<L≤4 ±0.1 4<L≤16 ±0.2 16<L≤63 ±0.3	Pin pitch ±0.20	UNIT:MM	MATERIAL: PHENOLIC	UL REC: UL 94V-0	
 盱眙欧歌电子有限公司 XUYI OUGE ELECTRONIC CO.,LTD. TEL: 0086-760-22286356 F AX:0086-760-22286951 Email: sales@ougedianzi.com				SCALE: 1/1	TERMINAL MAT:CP WIRE	PIN TENSION LOAD: 1.0 KGS MIN	
					DATE: 2015.05.15	DRAWING NO:	REV. A


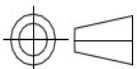


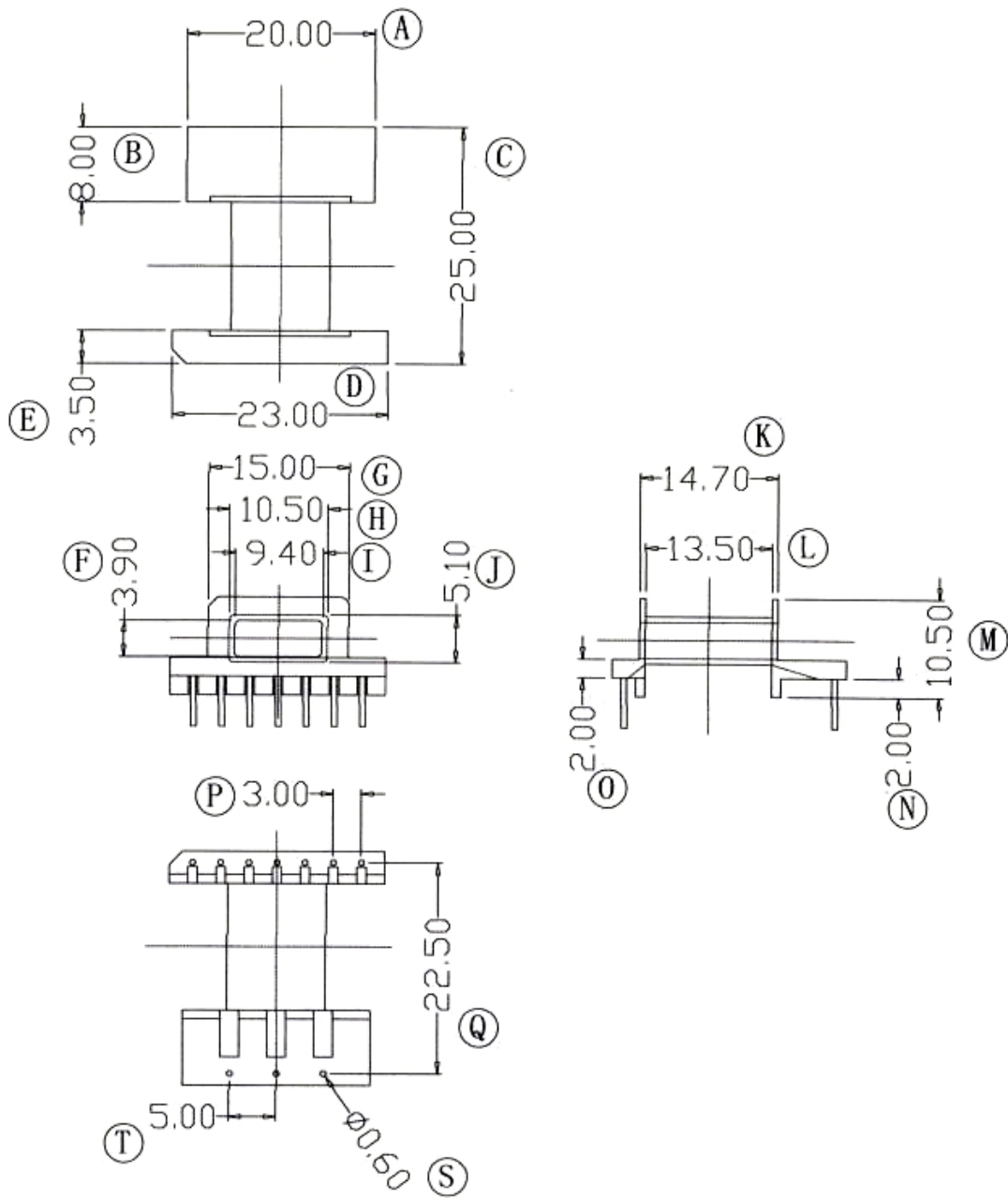
DRAFTED BY	付志良	TOLERANCE		ANGLR: $\pm 1^\circ$	MODEL NAME: EFD-20SMD(5+5) PIN	
CHECKED BY	吴志权	$0 < L \leq 4 \pm 0.1$ $4 < L \leq 16 \pm 0.2$ $16 < L \leq 63 \pm 0.3$	Pin pitch ± 0.20	UNIT:MM	MATERIAL: PHENOLIC	UL REC: UL 94V-0
 盱眙欧歌电子有限公司 XUYI OUGE ELECTRONIC CO.,LTD. TEL: 0086-760-22286356 F AX:0086-760-22286951 Email: sales@ougedianzi.com				SCALE: 1/1	TERMINAL MAT:CP WIRE	PIN TENSION LOAD: 1.0 KGS MIN
					DATE: 2015.05.15	DRAWING NO:


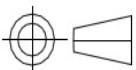


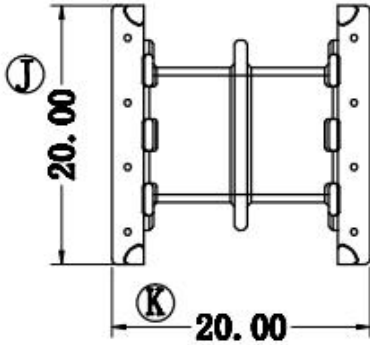
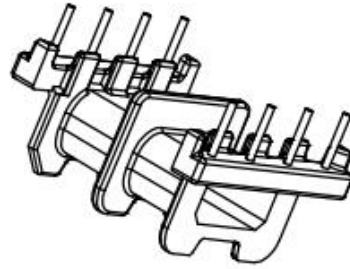
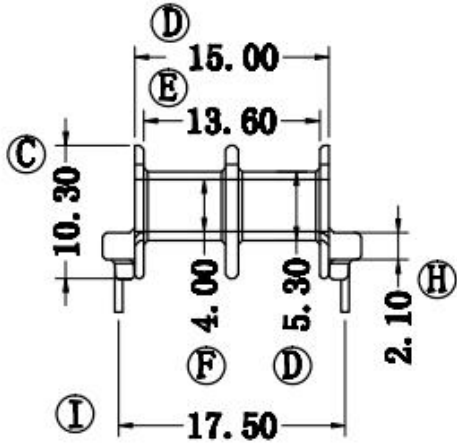
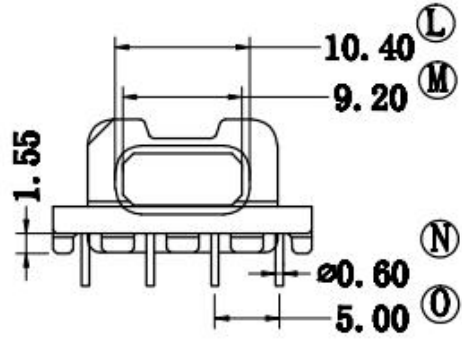
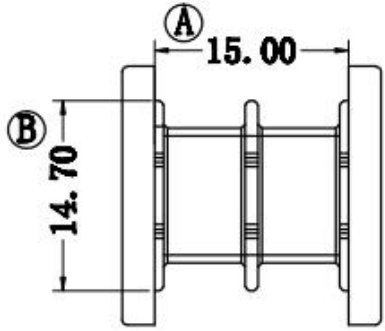
DRAFTED BY	付志良	TOLERANCE		ANGLR: ±1°	MODEL NAME: EFD-20SMD(5+5) PIN	
CHECKED BY	吴志权	0<L≤4 ±0.1 4<L≤16 ±0.2 16<L≤63 ±0.3	Pin pitch ±0.20	UNIT:MM	MATERIAL: PHENOLIC	UL REC: UL 94V-0
 盱眙欧歌电子有限公司 XUYI OUGE ELECTRONIC CO.,LTD. TEL: 0086-760-22286356 F AX:0086-760-22286951 Email: sales@ougedianzi.com				SCALE: 1/1	TERMINAL MAT:CP WIRE	PIN TENSION LOAD: 1.0 KGS MIN
					DATE: 2015.05.15	DRAWING NO:




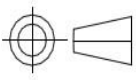
DRAFTED BY	付志良	TOLERANCE		ANGLR: ±1°	MODEL NAME: EFD-20H(7+3) PIN	
CHECKED BY	吴志权	0<L≤4 ±0.1 4<L≤16 ±0.2 16<L≤63 ±0.3	Pin pitch ±0.20	UNIT:MM	MATERIAL: PHENOLIC	UL REC: UL 94V-0
 盱眙欧歌电子有限公司 XUYI OUGE ELECTRONIC CO.,LTD. TEL: 0086-760-22286356 F AX:0086-760-22286951 Email: sales@ougedianzi.com				SCALE: 1/1	TERMINAL MAT:CP WIRE	PIN TENSION LOAD: 1.0 KGS MIN
					DATE: 2015.05.15	DRAWING NO:

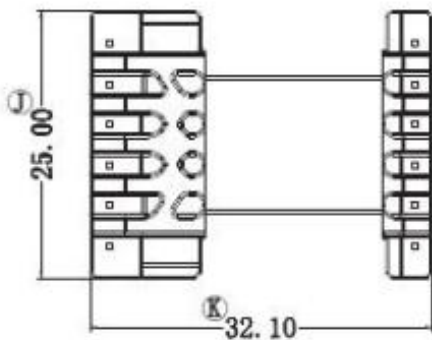
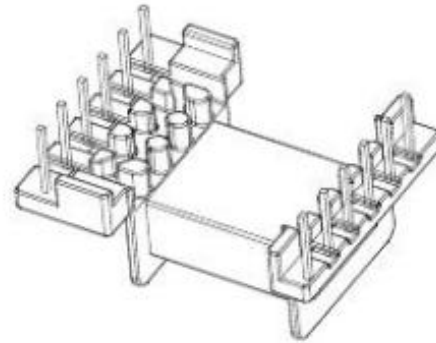
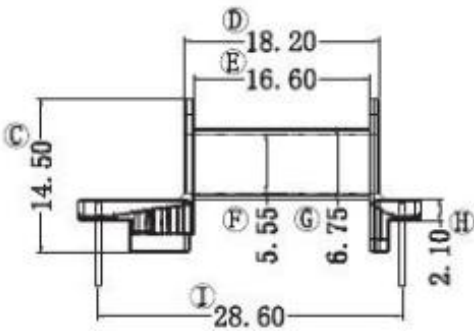
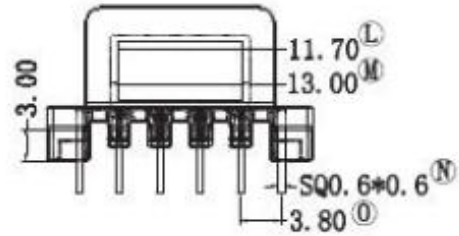
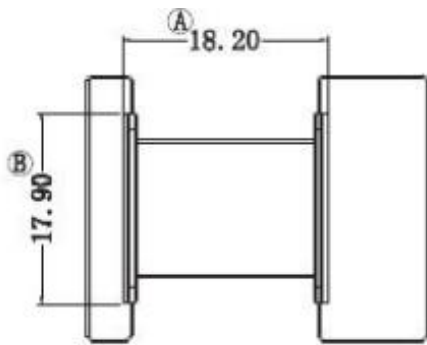



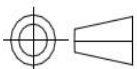
DRAFTED BY	付志良	TOLERANCE		ANGLR: $\pm 1^\circ$	MODEL NAME: EFD-20H(7+3) PIN	
CHECKED BY	吴志权	$0 < L \leq 4 \pm 0.1$ $4 < L \leq 16 \pm 0.2$ $16 < L \leq 63 \pm 0.3$	Pin pitch ± 0.20	UNIT:MM	MATERIAL: PHENOLIC	UL REC: UL 94V-0
 盱眙欧歌电子有限公司 XUYI OUGE ELECTRONIC CO.,LTD. TEL: 0086-760-22286356 F AX:0086-760-22286951 Email: sales@ougedianzi.com				SCALE: 1/1	TERMINAL MAT:CP WIRE	PIN TENSION LOAD: 1.0 KGS MIN
					DATE: 2015.05.15	DRAWING NO:

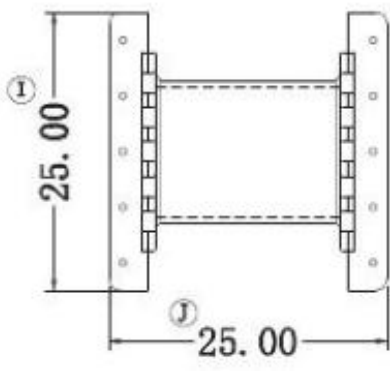
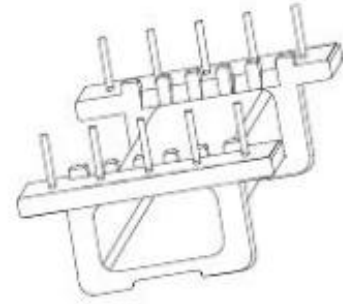
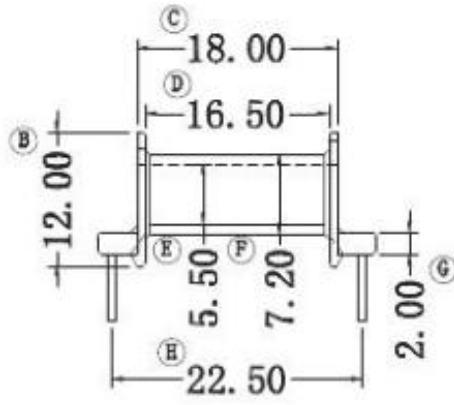
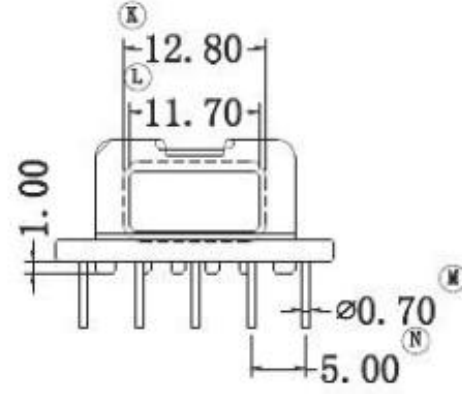
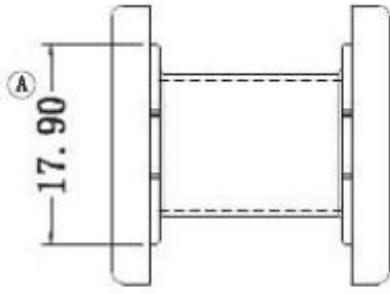



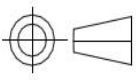
REV.	REVISIONS REC.	DATE.

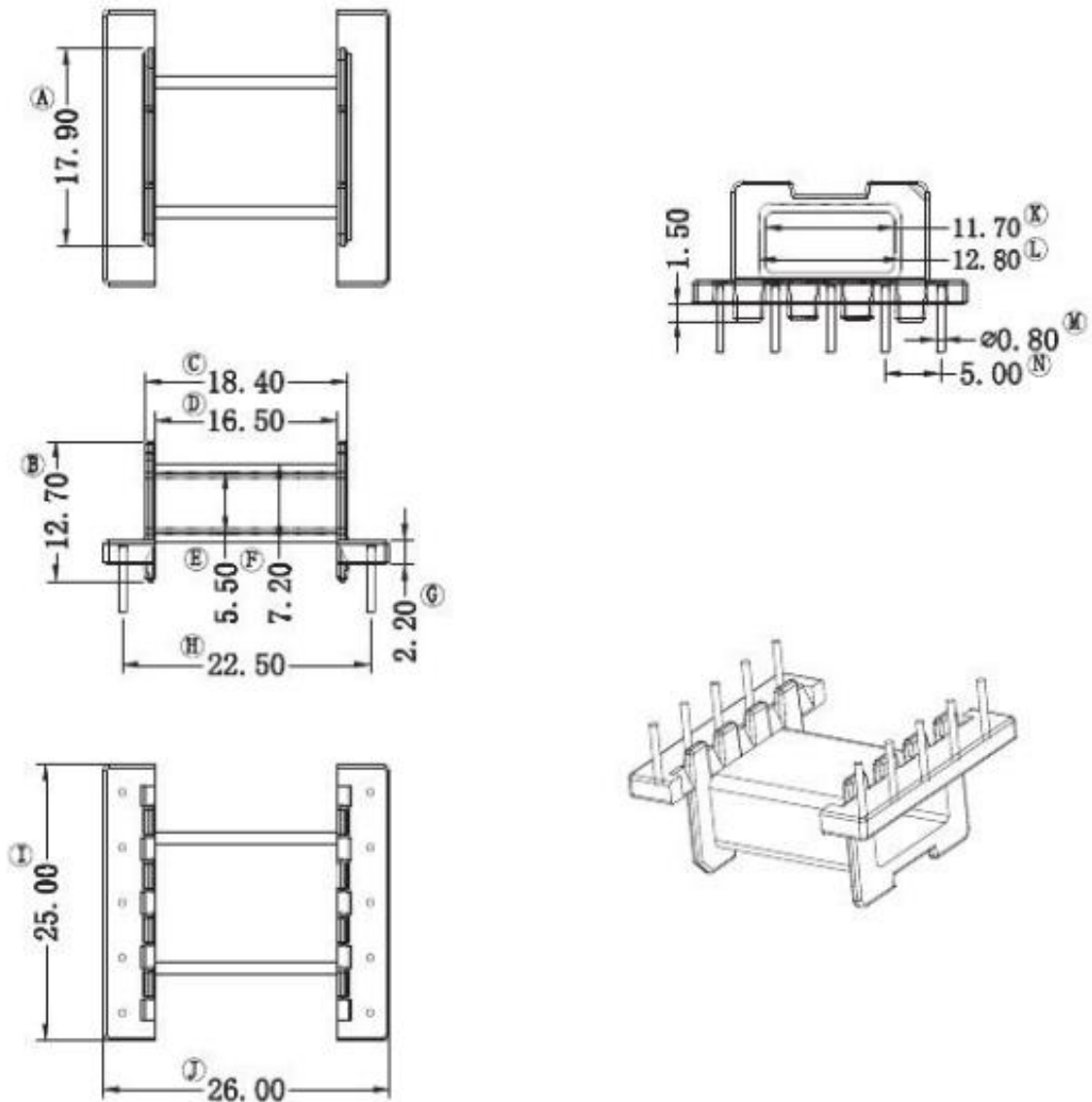
DRAFTED BY	付志良	TOLERANCE		ANGLR: ±1°	MODEL NAME: EFD-20H(2SEC4+4)PIN		
CHECKED BY	吴志权	0<L≤4 ±0.1 4<L≤16 ±0.2 16<L≤63 ±0.3	Pin pitch ±0.20	UNIT:MM	MATERIAL: PHENOLIC	UL REC: UL 94V-0	
 盱眙欧歌电子有限公司 XUYI OUGE ELECTRONIC CO.,LTD. TEL: 0086-760-22286356 FAX:0086-760-22286951 Email: sales@ougedianzi.com				SCALE: 1/1	TERMINAL MAT:CP WIRE	PIN TENSION LOAD: 1.0 KGS MIN	
					DATE: 2016.02.18	DRAWING NO:	REV. A


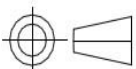


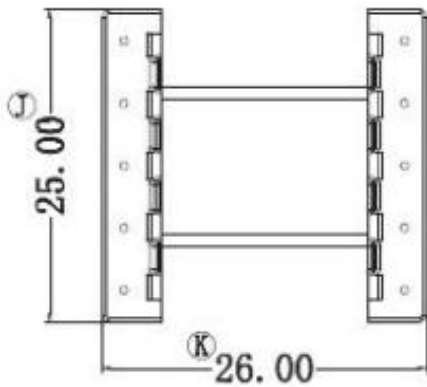
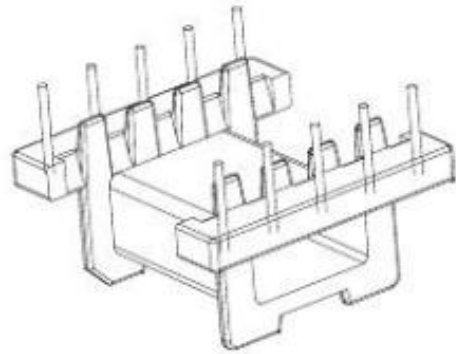
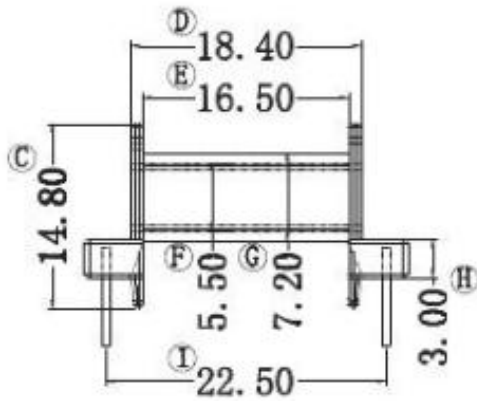
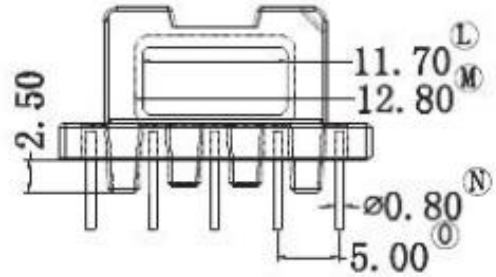
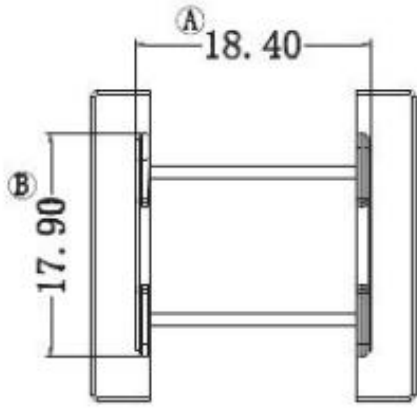
DRAFTED BY	付志良	TOLERANCE		ANGLR: ±1°	MODEL NAME: EFD-25H(6+6) PIN	
CHECKED BY	吴志权	0<L≤4 ±0.1 4<L≤16 ±0.2 16<L≤63 ±0.3	Pin pitch ±0.20	UNIT:MM	MATERIAL: PHENOLIC	UL REC: UL 94V-0
 盱眙欧歌电子有限公司 XUYI OUGE ELECTRONIC CO.,LTD. TEL: 0086-760-22286356 F AX:0086-760-22286951 Email: sales@ougedianzi.com				SCALE: 1/1	TERMINAL MAT:CP WIRE	PIN TENSION LOAD: 1.0 KGS MIN
					DATE: 2014.03.28	DRAWING NO:


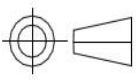


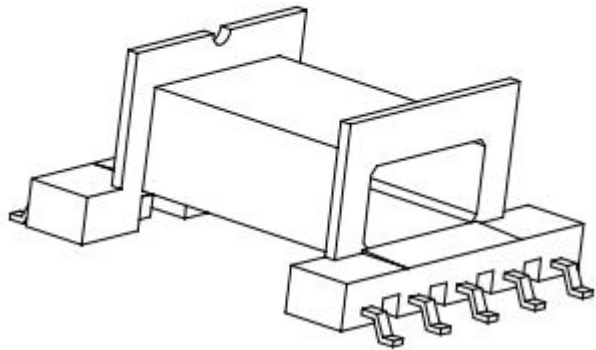
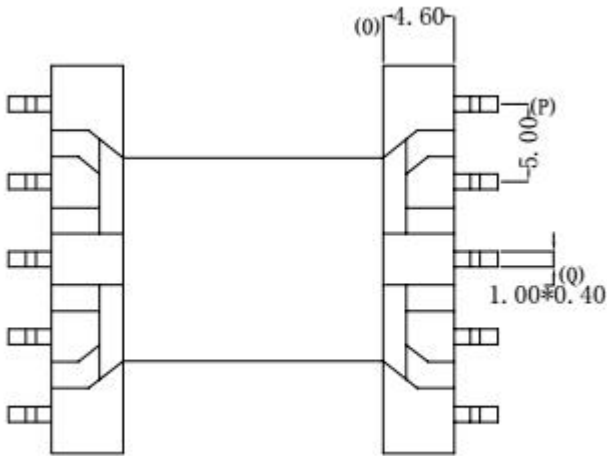
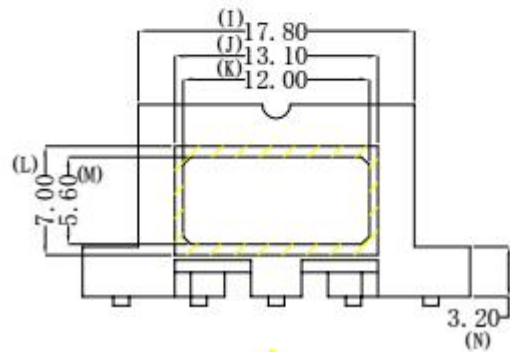
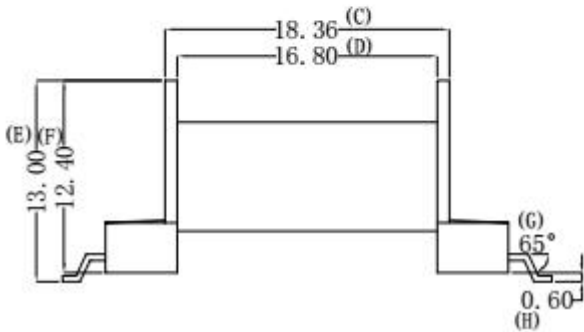
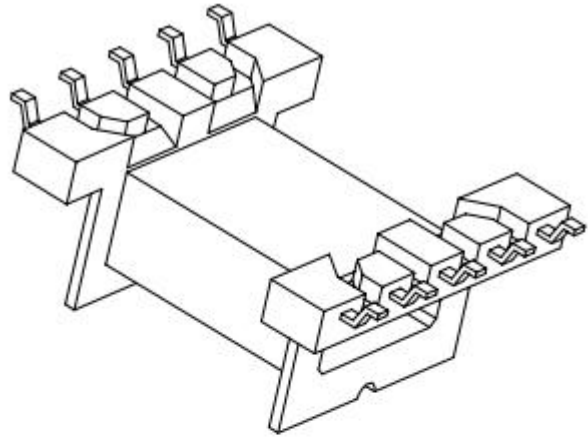
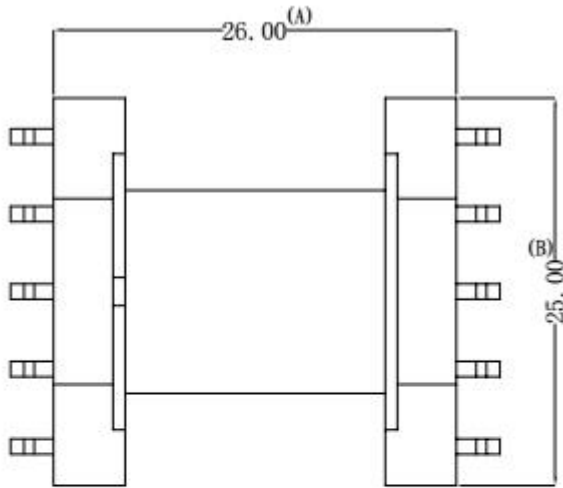
DRAFTED BY	付志良	TOLERANCE		ANGLR: ±1°	MODEL NAME: EFD-25H(5+5) PIN	
CHECKED BY	吴志权	0<L≤4 ±0.1 4<L≤16 ±0.2 16<L≤63 ±0.3	Pin pitch ±0.20	UNIT:MM	MATERIAL: PHENOLIC	UL REC: UL 94V-0
 盱眙欧歌电子有限公司 XUYI OUGE ELECTRONIC CO.,LTD. TEL: 0086-760-22286356 F AX:0086-760-22286951 Email: sales@ougedianzi.com				SCALE: 1/1	TERMINAL MAT:CP WIRE	PIN TENSION LOAD: 1.0 KGS MIN
					DATE: 2015.05.15	DRAWING NO:



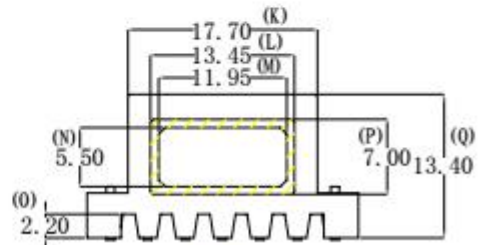
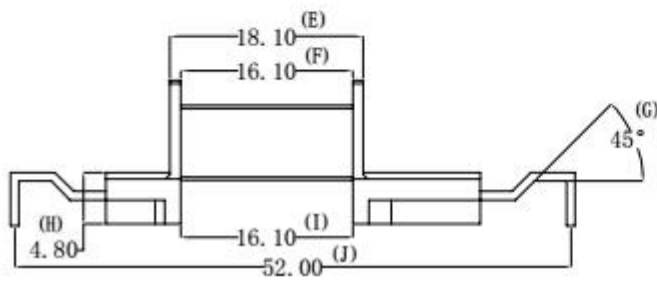
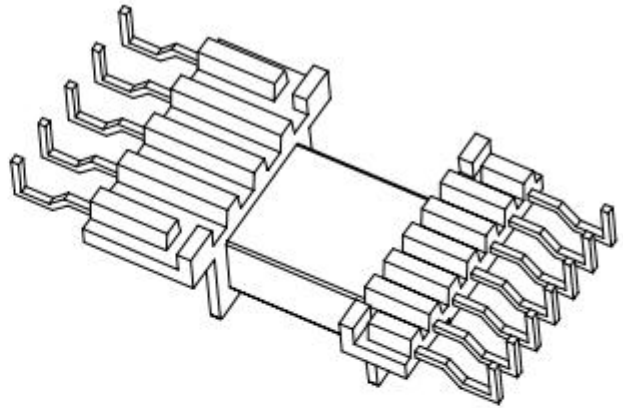
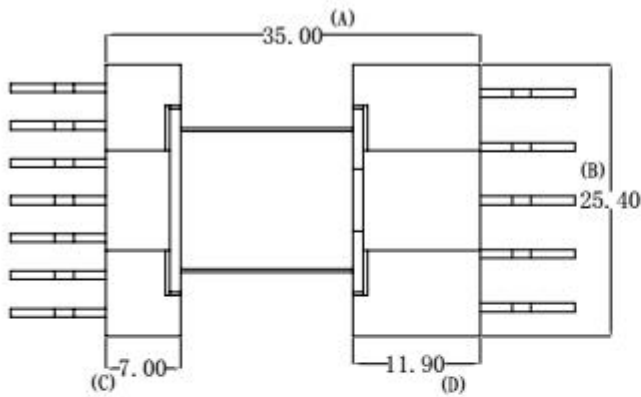
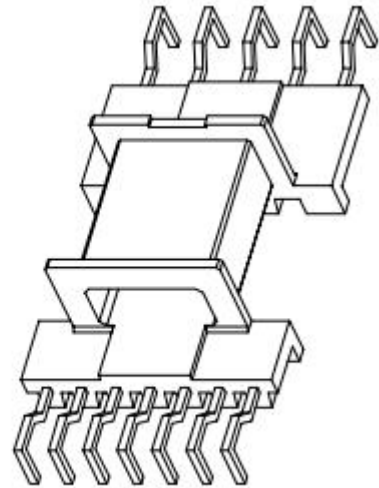
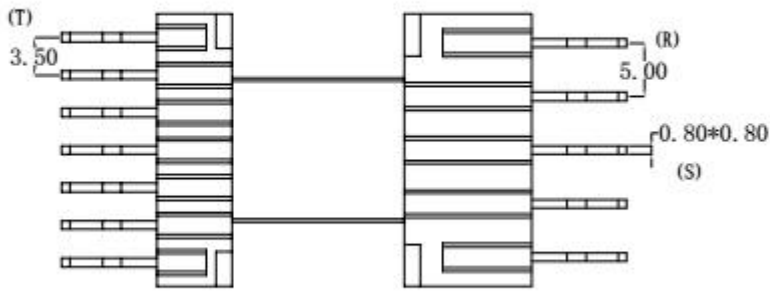
DRAFTED BY	付志良	TOLERANCE		ANGLR: ±1°	MODEL NAME: EFD-25H(5+5) PIN	
CHECKED BY	吴志权	0<L≤4 ±0.1 4<L≤16 ±0.2 16<L≤63 ±0.3	Pin pitch ±0.20	UNIT:MM	MATERIAL: PHENOLIC	UL REC: UL 94V-0
 盱眙欧歌电子有限公司 XUYI OUGE ELECTRONIC CO.,LTD. TEL: 0086-760-22286356 F AX:0086-760-22286951 Email: sales@ougedianzi.com				SCALE: 1/1	TERMINAL MAT:CP WIRE	PIN TENSION LOAD: 1.0 KGS MIN
					DATE: 2015.05.15	DRAWING NO:


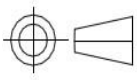


DRAFTED BY	付志良	TOLERANCE		ANGLR: $\pm 1^\circ$	MODEL NAME: EFD-25H(5+5) PIN	
CHECKED BY	吴志权	0<L≤4 ±0.1 4<L≤16 ±0.2 16<L≤63 ±0.3	Pin pitch ±0.20	UNIT:MM	MATERIAL: PHENOLIC	UL REC: UL 94V-0
 盱眙欧歌电子有限公司 XUYI OUGE ELECTRONIC CO.,LTD. TEL: 0086-760-22286356 F AX:0086-760-22286951 Email: sales@ougedianzi.com				SCALE: 1/1	TERMINAL MAT:CP WIRE	PIN TENSION LOAD: 1.0 KGS MIN
					DATE: 2015.05.15	DRAWING NO:

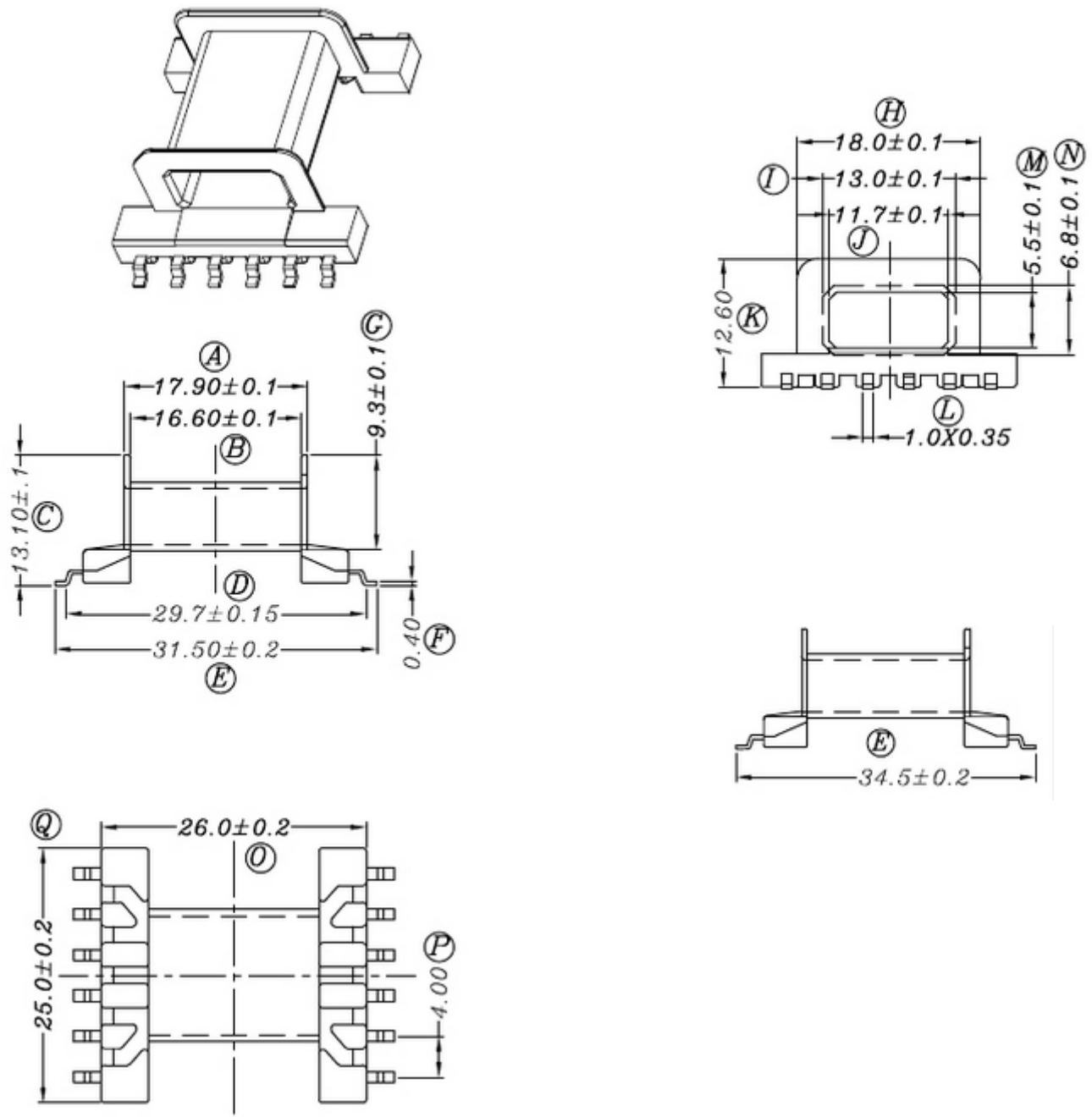



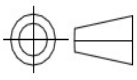
DRAFTED BY	付志良	TOLERANCE		ANGLR: ±1°	MODEL NAME: EFD-25H(5+5) PIN	
CHECKED BY	吴志权	0<L≤4 ±0.1 4<L≤16 ±0.2 16<L≤63 ±0.3	Pin pitch ±0.20	UNIT:MM	MATERIAL: PHENOLIC	UL REC: UL 94V-0
 盱眙欧歌电子有限公司 XUYI OUGE ELECTRONIC CO.,LTD. TEL: 0086-760-22286356 F AX:0086-760-22286951 Email: sales@ougedianzi.com				SCALE: 1/1	TERMINAL MAT:CP WIRE	PIN TENSION LOAD: 1.0 KGS MIN
					DATE: 2014.03.28	DRAWING NO:



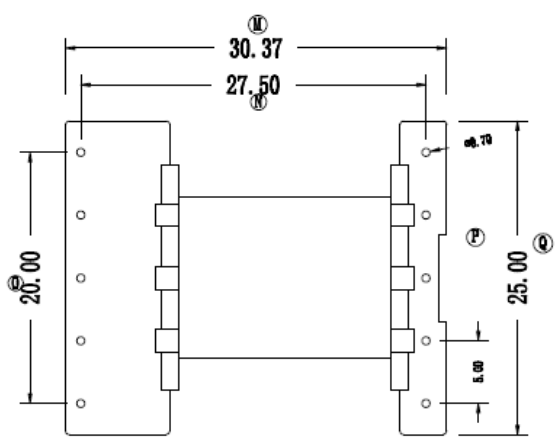
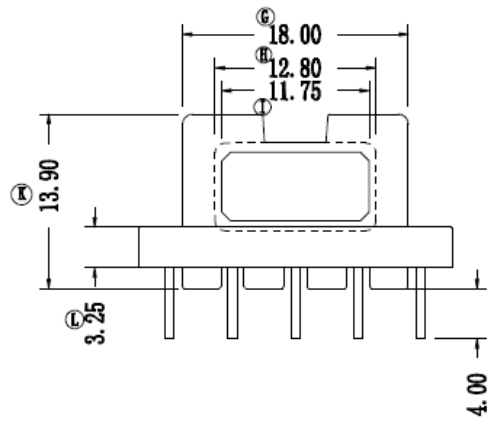
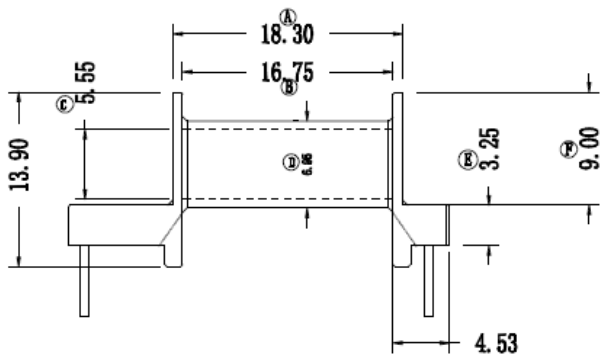
DRAFTED BY	付志良	TOLERANCE		ANGLR: ±1°	MODEL NAME: EFD-25H(5+7) PIN	
CHECKED BY	吴志权	0<L≤4 ±0.1	Pin pitch ±0.20	UNIT:MM	MATERIAL: PHENOLIC	UL REC: UL 94V-0
		4<L≤16 ±0.2				
		16<L≤63 ±0.3			TERMINAL MAT:CP WIRE	PIN TENSION LOAD: 1.0 KGS MIN
 盱眙欧歌电子有限公司 XUYI OUGE ELECTRONIC CO.,LTD. TEL: 0086-760-22286356 F AX:0086-760-22286951 Email: sales@ougedianzi.com				SCALE: 1/1	DATE: 2015.05.15	DRAWING NO:
						REV. A


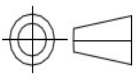
Item	EFD-2502P
------	-----------

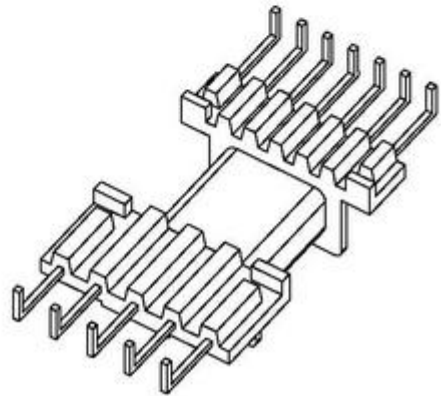
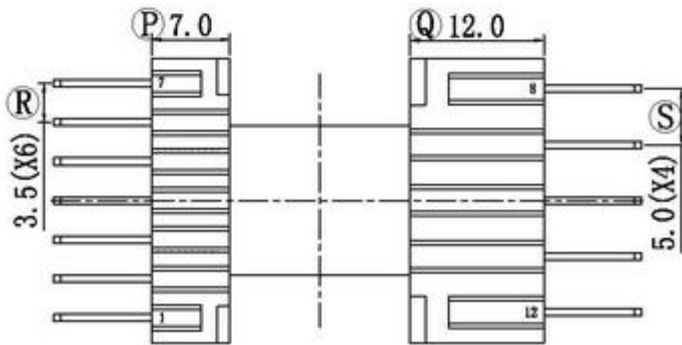
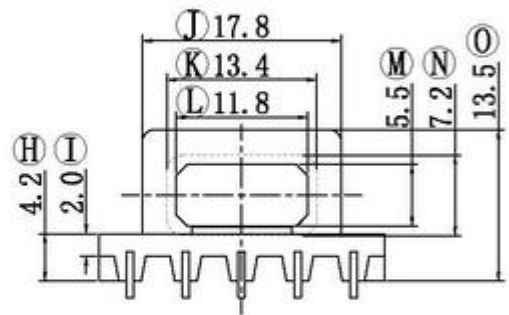
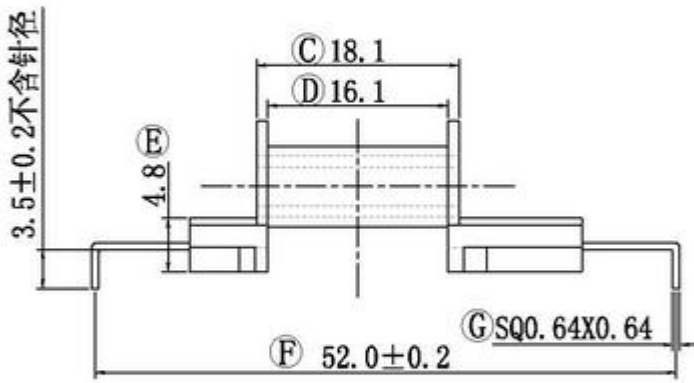
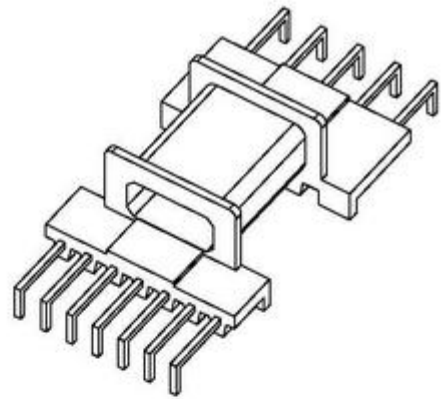
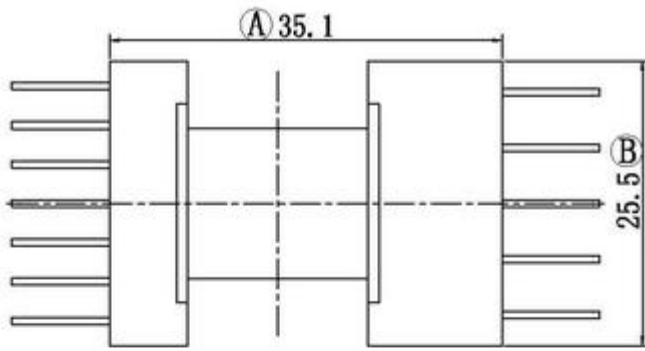



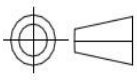
DRAFTED BY	付志良	TOLERANCE		ANGLR: $\pm 1^\circ$	MODEL NAME: EFD-25SMD(6+6) PIN	
CHECKED BY	吴志权	$0 < L \leq 4 \pm 0.1$ $4 < L \leq 16 \pm 0.2$ $16 < L \leq 63 \pm 0.3$	Pin pitch ± 0.20	UNIT:MM	MATERIAL: PHENOLIC	UL REC: UL 94V-0
 盱眙欧歌电子有限公司 XUYI OUGE ELECTRONIC CO.,LTD. TEL: 0086-760-22286356 F AX:0086-760-22286951 Email: sales@ougedianzi.com				SCALE: 1/1	TERMINAL MAT:CP WIRE	PIN TENSION LOAD: 1.0 KGS MIN
					DATE: 2015.05.15	DRAWING NO:

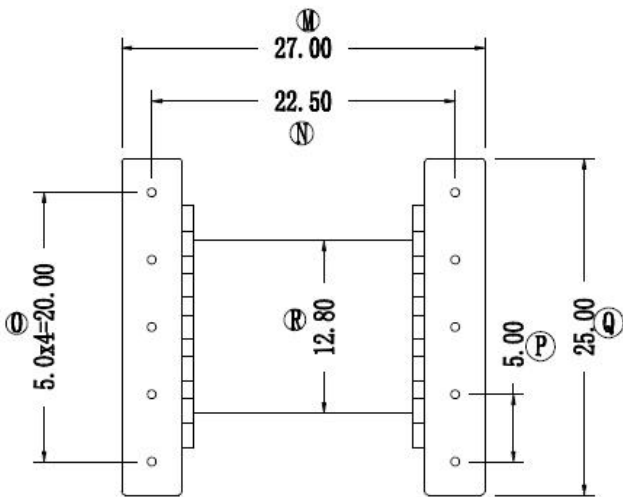
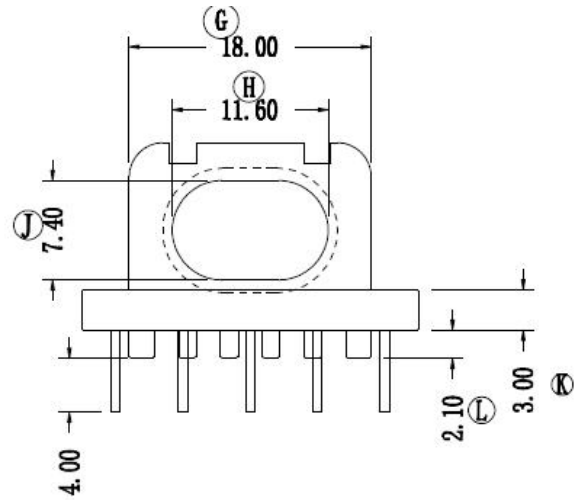
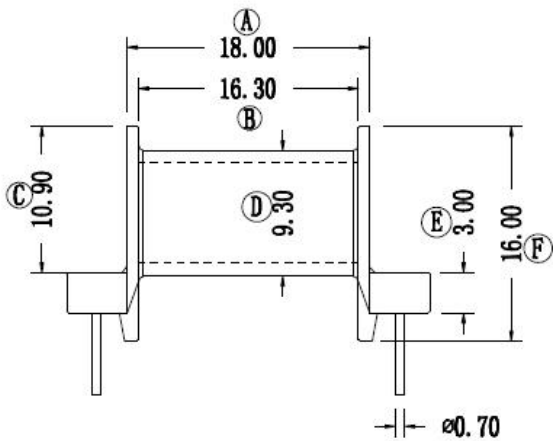
Item	EFD-2506
------	----------


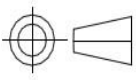


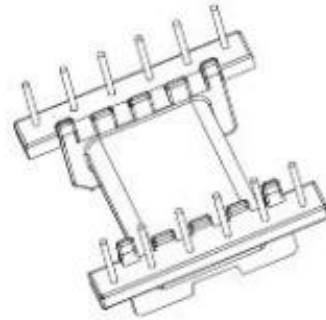
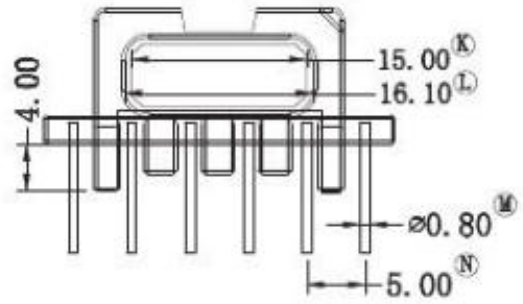
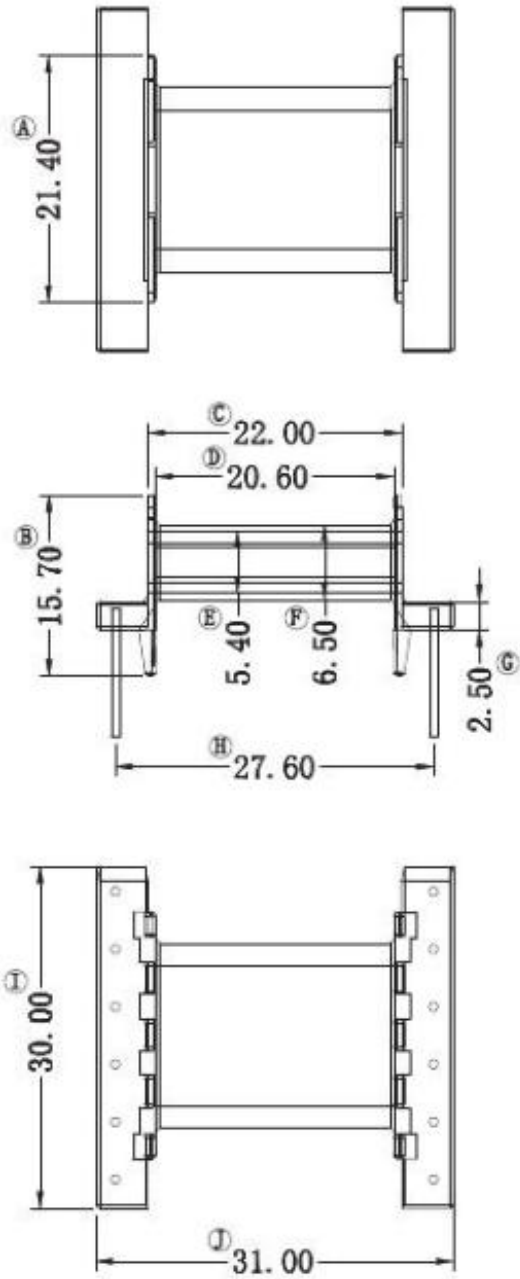
DRAFTED BY	付志良	TOLERANCE		ANGLR: ±1°	MODEL NAME: EFD-25H(5+5) PIN	
CHECKED BY	吴志权	0<L≤4 ±0.1 4<L≤16 ±0.2 16<L≤63 ±0.3	Pin pitch ±0.20	UNIT:MM	MATERIAL: PHENOLIC	UL REC: UL 94V-0
 盱眙欧歌电子有限公司 XUYI OUGE ELECTRONIC CO.,LTD. TEL: 0086-760-22286356 F AX:0086-760-22286951 Email: sales@ougedianzi.com				SCALE: 1/1	TERMINAL MAT:CP WIRE	PIN TENSION LOAD: 1.0 KGS MIN
					DATE: 2014.03.28	DRAWING NO:


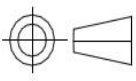


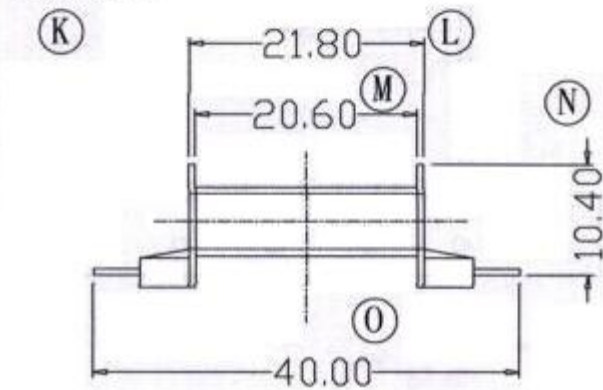
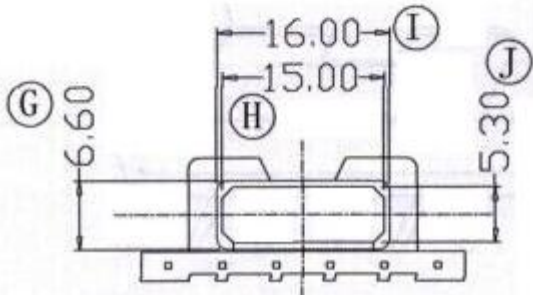
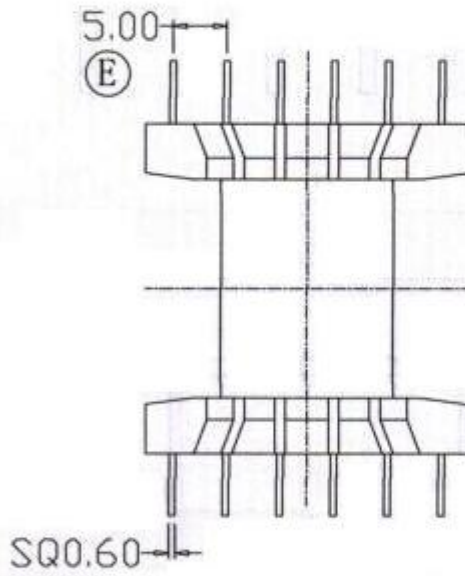
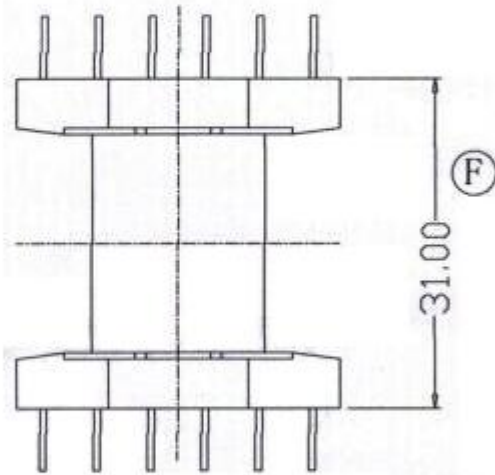
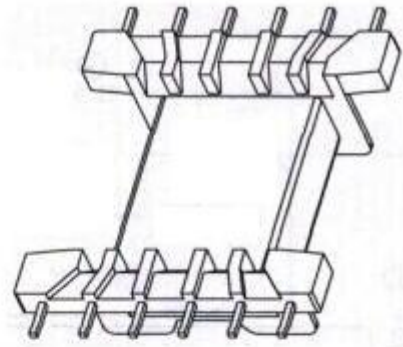
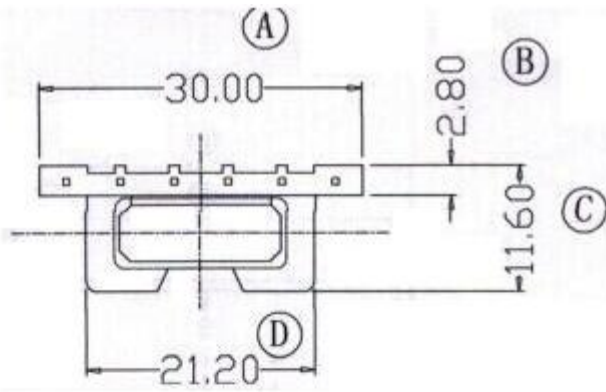
DRAFTED BY	付志良	TOLERANCE		ANGLR: ±1°	MODEL NAME: EFD-25H (7+5) PIN	
CHECKED BY	吴志权	0<L≤4 ±0.1 4<L≤16 ±0.2 16<L≤63 ±0.3	Pin pitch ±0.20	UNIT:MM	MATERIAL: PHENOLIC	UL REC: UL 94V-0
 盱眙欧歌电子有限公司 XUYI OUGE ELECTRONIC CO.,LTD. TEL: 0086-760-22286356 F AX:0086-760-22286951 Email: sales@ougedianzi.com				SCALE: 1/1	TERMINAL MAT:CP WIRE	PIN TENSION LOAD: 1.0 KGS MIN
					DATE: 2015.05.15	DRAWING NO:


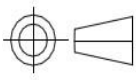


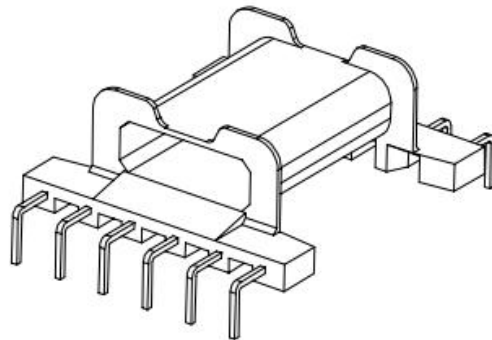
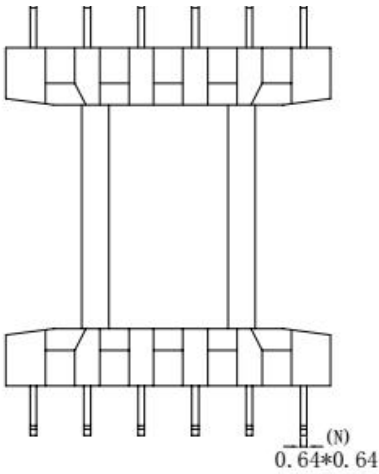
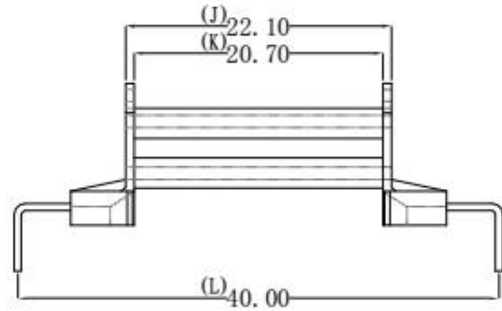
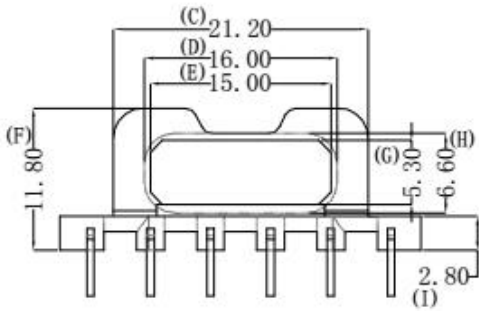
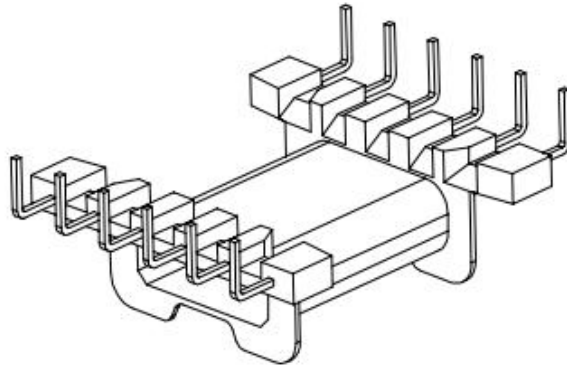
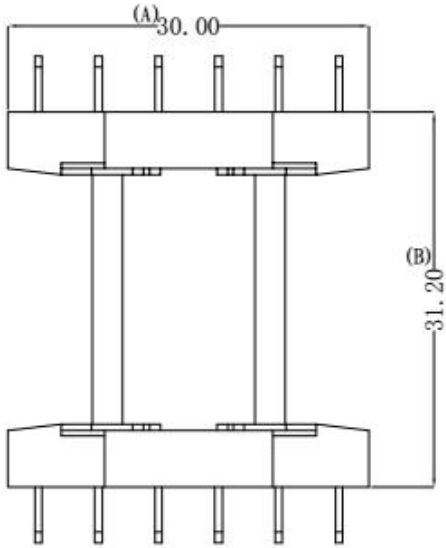
DRAFTED BY	付志良	TOLERANCE		ANGLR: ±1°	MODEL NAME: EFD-25H(5+5) PIN	
CHECKED BY	吴志权	0<L≤4 ±0.1 4<L≤16 ±0.2 16<L≤63 ±0.3	Pin pitch ±0.20	UNIT:MM	MATERIAL: PHENOLIC	UL REC: UL 94V-0
 盱眙欧歌电子有限公司 XUYI OUGE ELECTRONIC CO.,LTD. TEL: 0086-760-22286356 F AX:0086-760-22286951 Email: sales@ougedianzi.com				SCALE: 1/1	TERMINAL MAT:CP WIRE	PIN TENSION LOAD: 1.0 KGS MIN
					DATE: 2015.05.15	DRAWING NO:


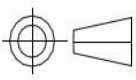


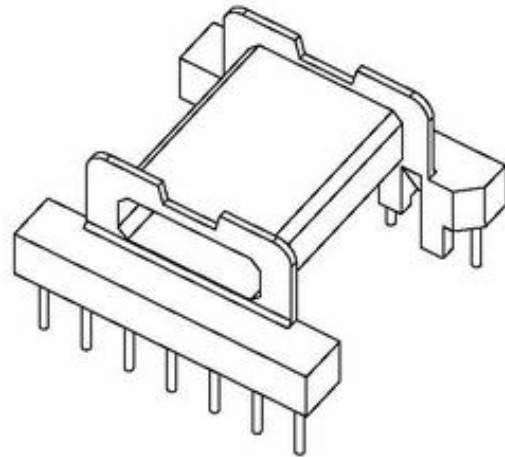
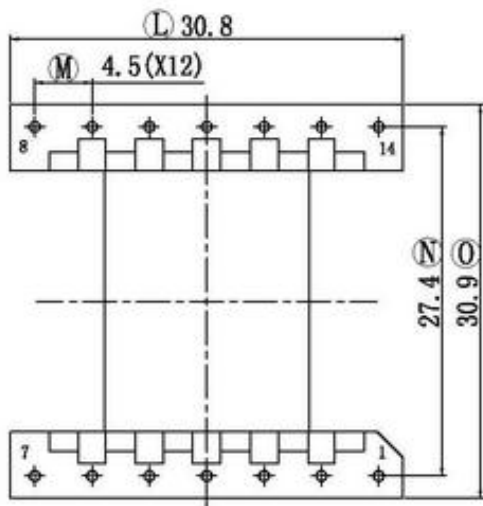
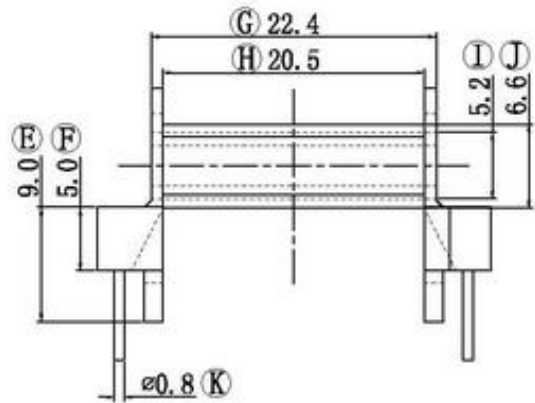
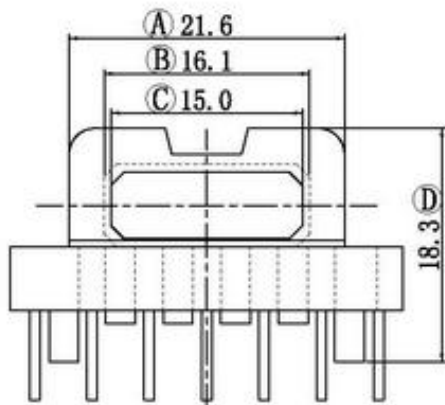
DRAFTED BY	付志良	TOLERANCE		ANGLR: $\pm 1^\circ$	MODEL NAME: EFD-30H(6+6) PIN	
CHECKED BY	吴志权	0 < L ≤ 4 ± 0.1 4 < L ≤ 16 ± 0.2 16 < L ≤ 63 ± 0.3	Pin pitch ± 0.20	UNIT:MM	MATERIAL: PHENOLIC	UL REC: UL 94V-0
 盱眙欧歌电子有限公司 XUYI OUGE ELECTRONIC CO.,LTD. TEL: 0086-760-22286356 F AX:0086-760-22286951 Email: sales@ougedianzi.com				SCALE: 1/1	TERMINAL MAT:CP WIRE	PIN TENSION LOAD: 1.0 KGS MIN
					DATE: 2014.03.28	DRAWING NO:


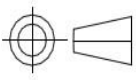


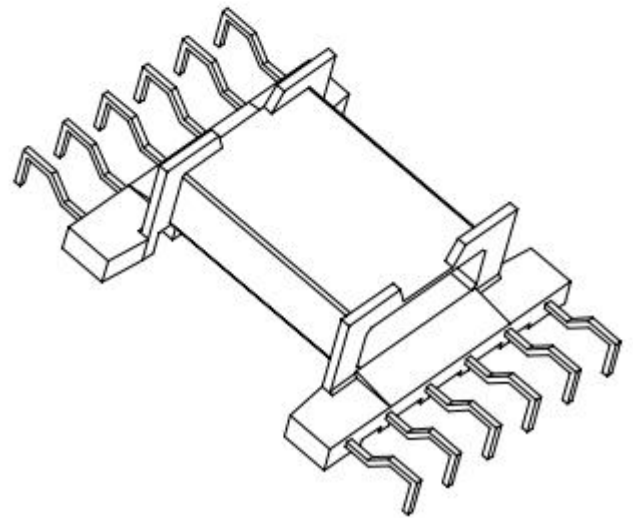
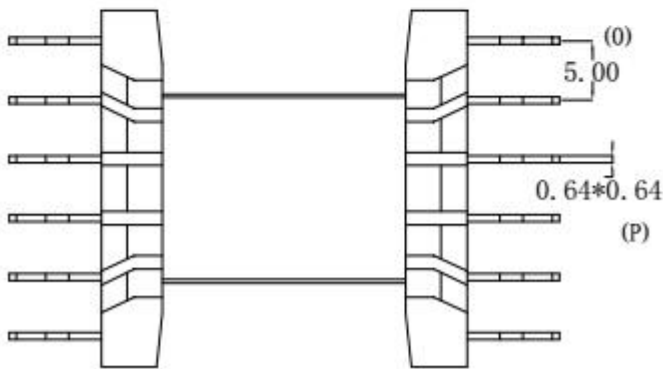
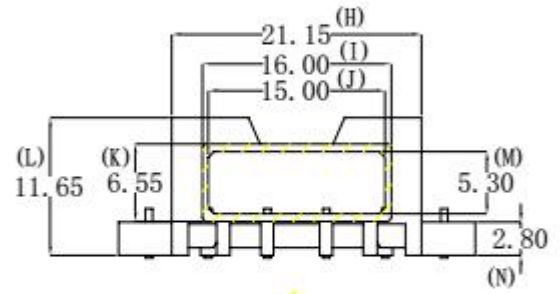
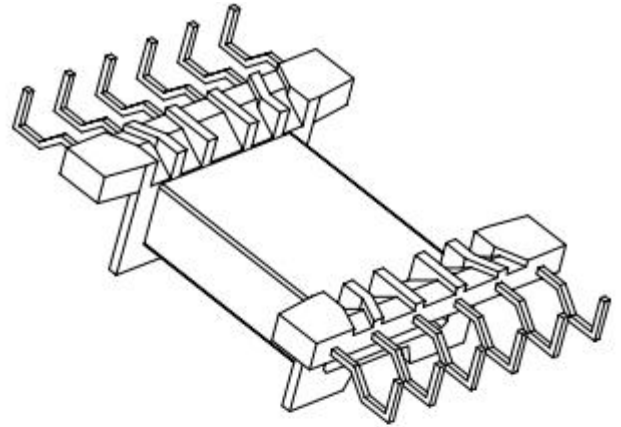
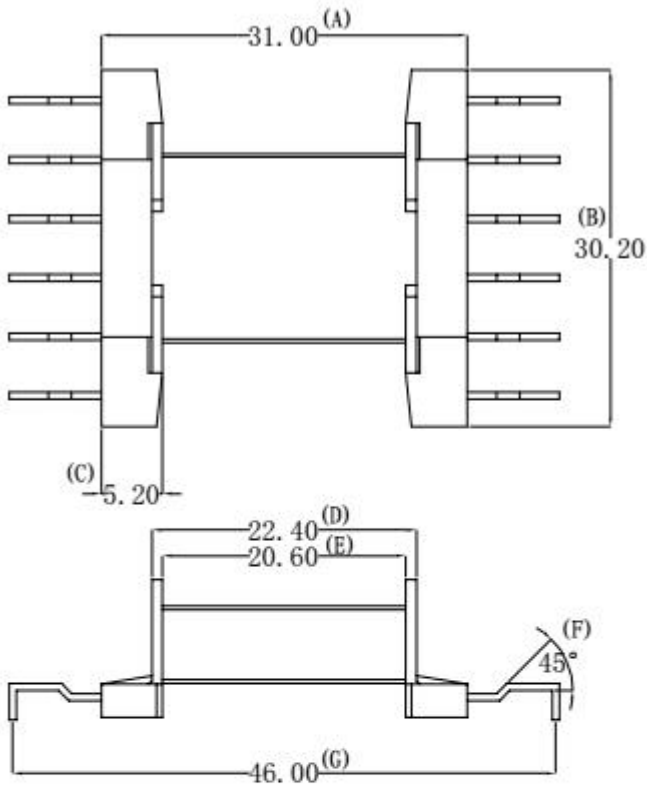
DRAFTED BY	付志良	TOLERANCE		ANGLR: ±1°	MODEL NAME: EFD-30H(6+6) PIN	
CHECKED BY	吴志权	0<L≤4 ±0.1 4<L≤16 ±0.2 16<L≤63 ±0.3	Pin pitch ±0.20	UNIT:MM	MATERIAL: PHENOLIC	UL REC: UL 94V-0
 盱眙欧歌电子有限公司 XUYI OUGE ELECTRONIC CO.,LTD. TEL: 0086-760-22286356 F AX:0086-760-22286951 Email: sales@ougedianzi.com				SCALE: 1/1	TERMINAL MAT:CP WIRE	PIN TENSION LOAD: 1.0 KGS MIN
					DATE: 2012.07.31	DRAWING NO:


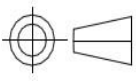


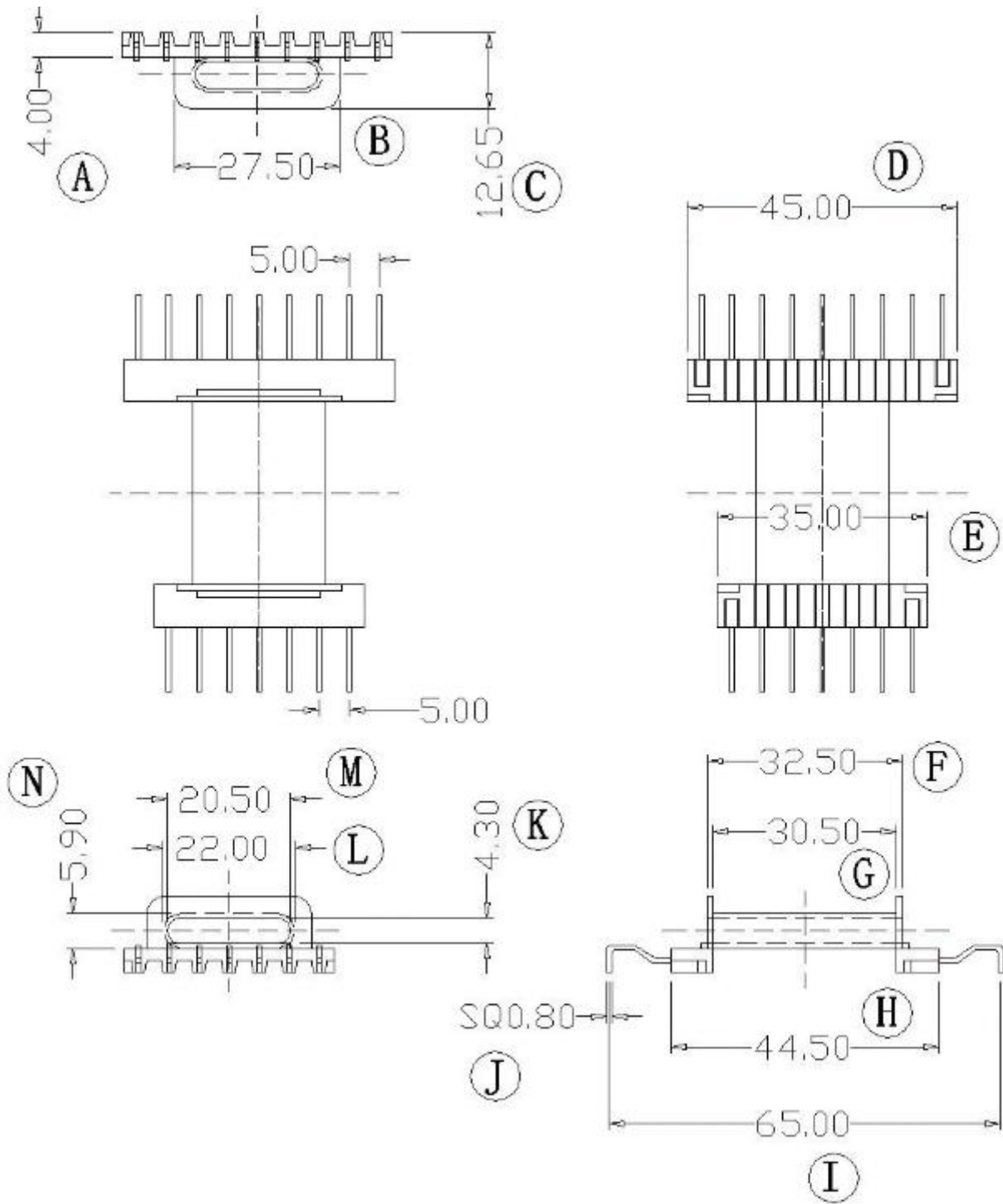
DRAFTED BY	付志良	TOLERANCE		ANGLR: ±1°	MODEL NAME: EFD-30H(6+6) PIN	
CHECKED BY	吴志权	0<L≤4 ±0.1 4<L≤16 ±0.2 16<L≤63 ±0.3	Pin pitch ±0.20	UNIT:MM	MATERIAL: PHENOLIC	UL REC: UL 94V-0
 盱眙欧歌电子有限公司 XUYI OUGE ELECTRONIC CO.,LTD. TEL: 0086-760-22286356 F AX:0086-760-22286951 Email: sales@ougedianzi.com				SCALE: 1/1	TERMINAL MAT:CP WIRE	PIN TENSION LOAD: 1.0 KGS MIN
					DATE: 2014.03.28	DRAWING NO:


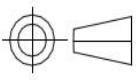


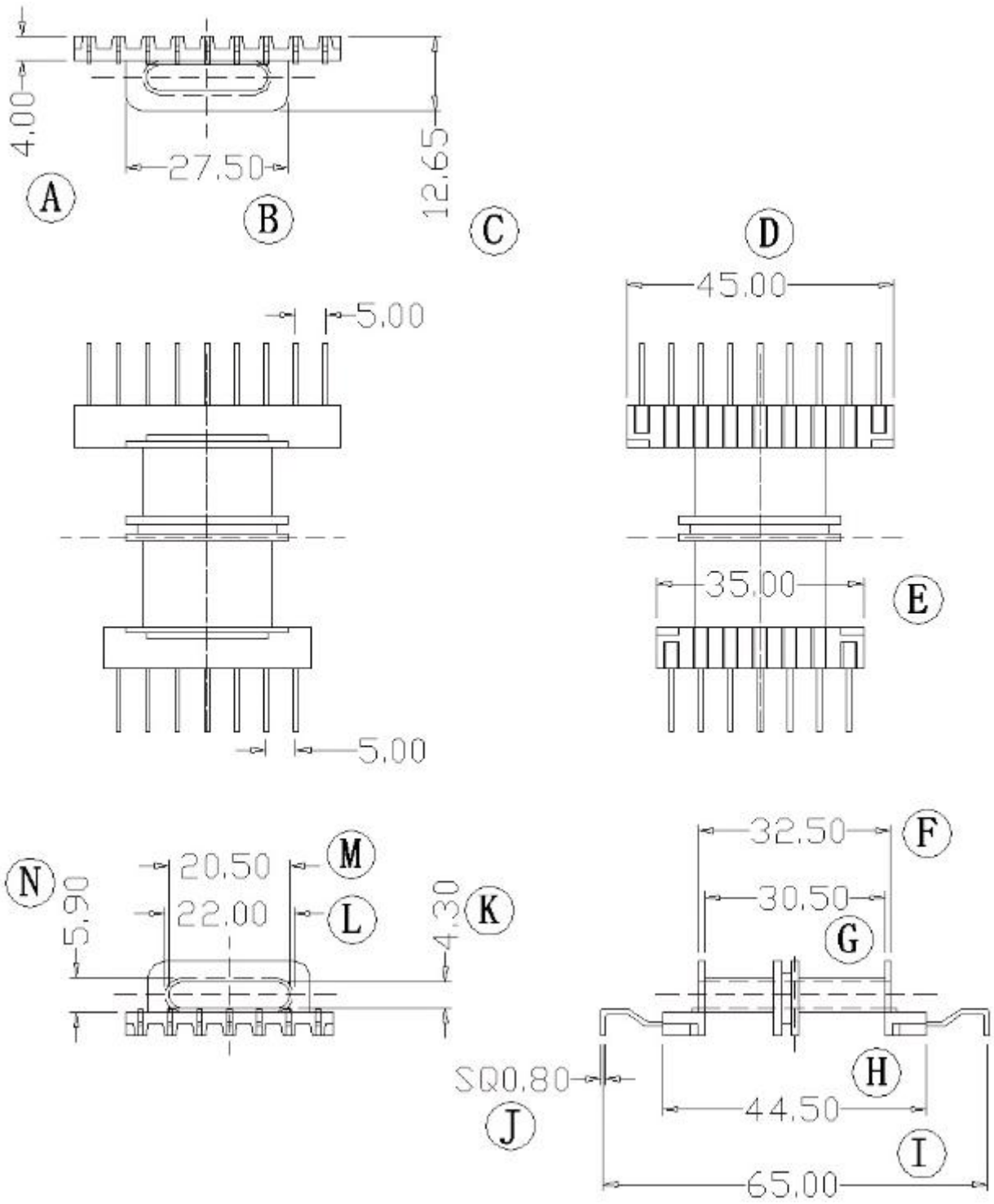
DRAFTED BY	付志良	TOLERANCE		ANGLR: ±1°	MODEL NAME: EFD-30H(7+7) PIN	
CHECKED BY	吴志权	0<L≤4 ±0.1 4<L≤16 ±0.2 16<L≤63 ±0.3	Pin pitch ±0.20	UNIT:MM	MATERIAL: PHENOLIC	UL REC: UL 94V-0
 盱眙欧歌电子有限公司 XUYI OUGE ELECTRONIC CO.,LTD. TEL: 0086-760-22286356 F AX:0086-760-22286951 Email: sales@ougedianzi.com				SCALE: 1/1	TERMINAL MAT:CP WIRE	PIN TENSION LOAD: 1.0 KGS MIN
					DATE: 2014.03.28	DRAWING NO:


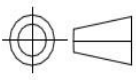


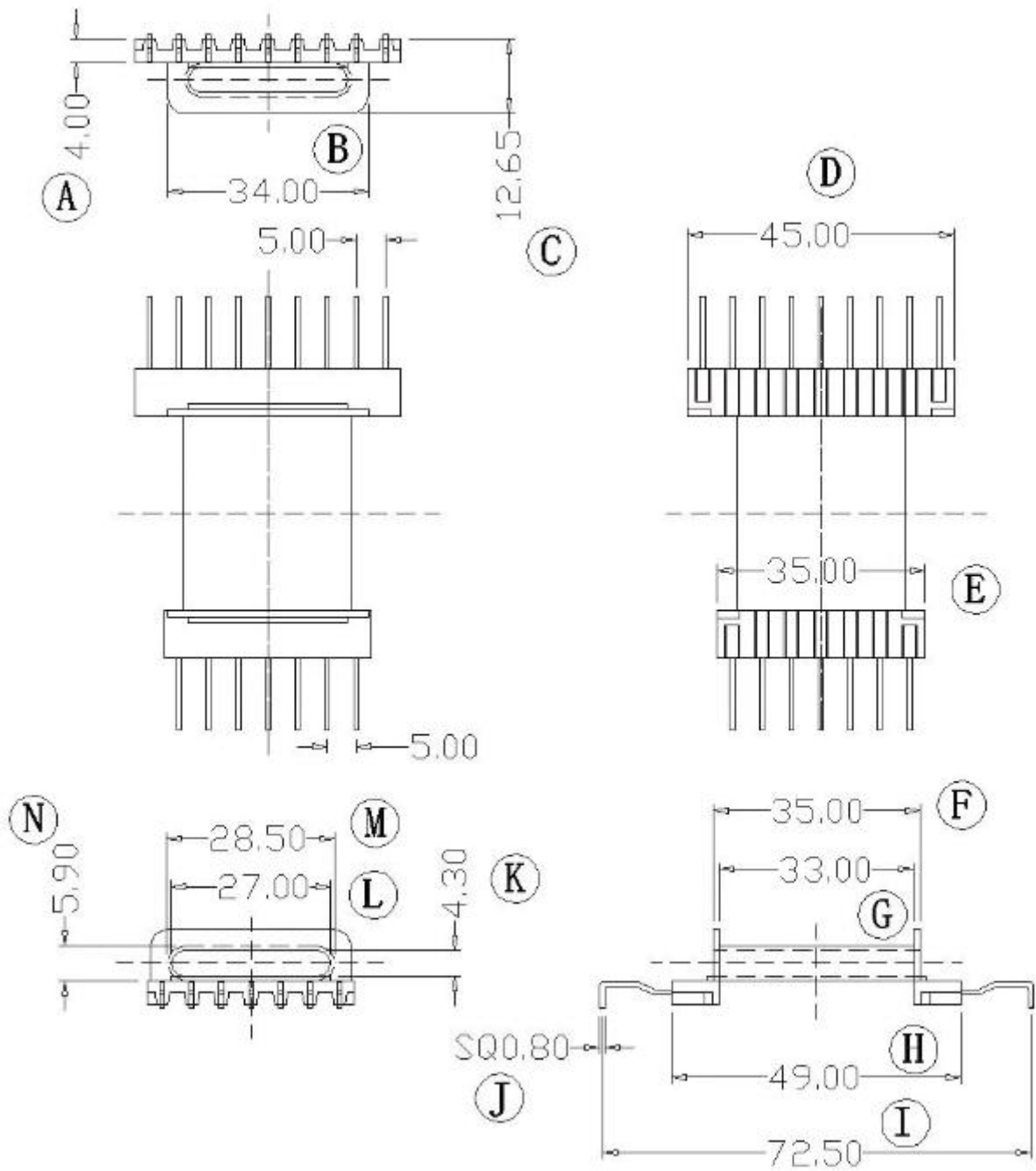
DRAFTED BY	付志良	TOLERANCE		ANGLR: ±1°	MODEL NAME: EFD-30H(6+6) PIN	
CHECKED BY	吴志权	0<L≤4 ±0.1 4<L≤16 ±0.2 16<L≤63 ±0.3	Pin pitch ±0.20	UNIT:MM	MATERIAL: PHENOLIC	UL REC: UL 94V-0
 盱眙欧歌电子有限公司 XUYI OUGE ELECTRONIC CO.,LTD. TEL: 0086-760-22286356 F AX:0086-760-22286951 Email: sales@ougedianzi.com				SCALE: 1/1	TERMINAL MAT:CP WIRE	PIN TENSION LOAD: 1.0 KGS MIN
					DATE: 2015.05.15	DRAWING NO:


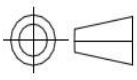


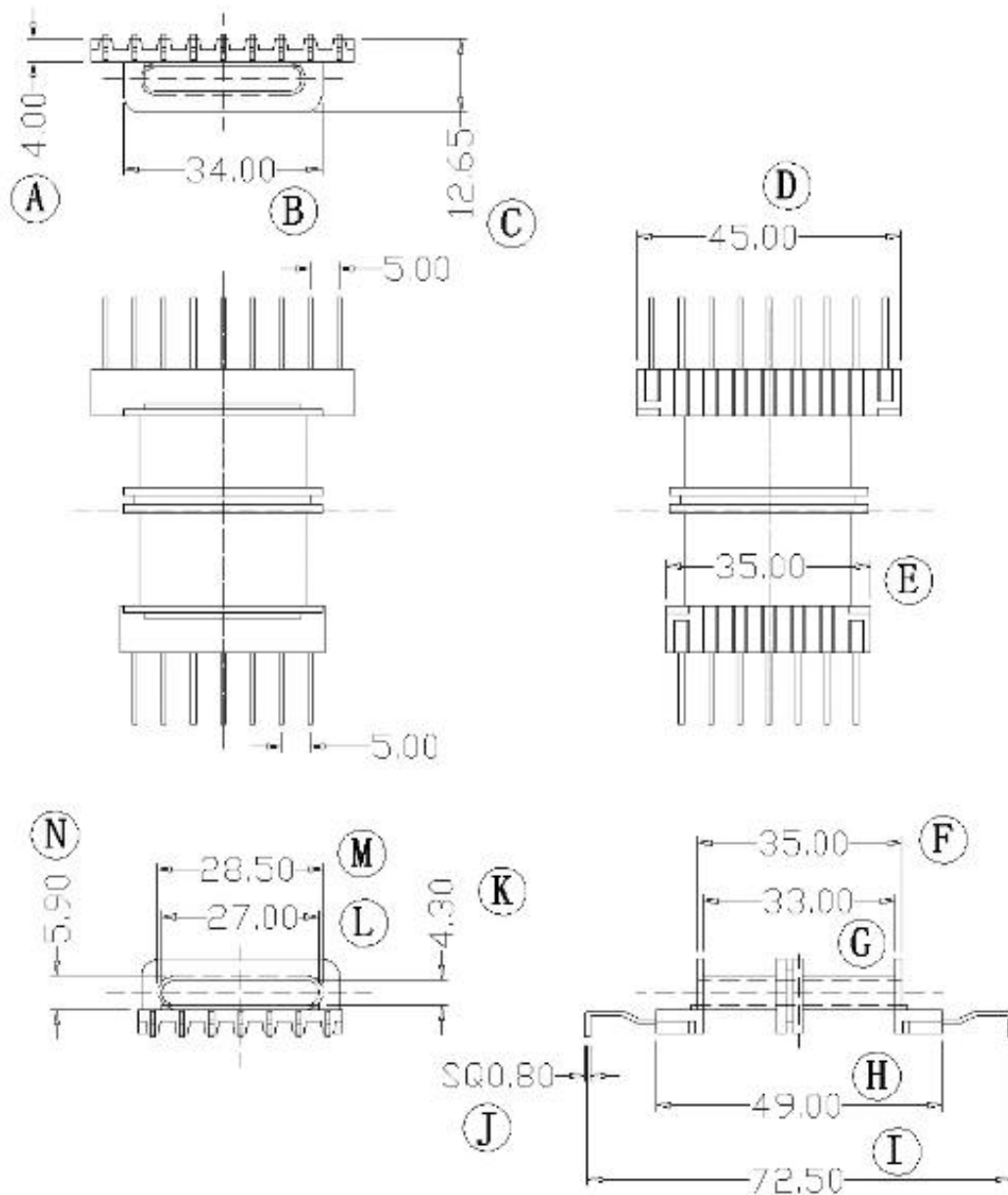
DRAFTED BY	付志良	TOLERANCE		ANGLR: ±1°	MODEL NAME: EFD-40H(9+7) PIN	
CHECKED BY	吴志权	0<L≤4 ±0.1 4<L≤16 ±0.2 16<L≤63 ±0.3	Pin pitch ±0.20	UNIT:MM	MATERIAL: PHENOLIC	UL REC: UL 94V-0
 盱眙欧歌电子有限公司 XUYI OUGE ELECTRONIC CO.,LTD. TEL: 0086-760-22286356 F AX:0086-760-22286951 Email: sales@ougedianzi.com				SCALE: 1/1	TERMINAL MAT:CP WIRE	PIN TENSION LOAD: 1.0 KGS MIN
					DATE: 2015.05.15	DRAWING NO:


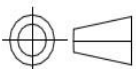


DRAFTED BY	付志良	TOLERANCE		ANGLR: ±1°	MODEL NAME: EFD-40H(2SEC9+7) PIN	
CHECKED BY	吴志权	0<L≤4 ±0.1 4<L≤16 ±0.2 16<L≤63 ±0.3	Pin pitch ±0.20	UNIT:MM	MATERIAL: PHENOLIC	UL REC: UL 94V-0
 盱眙欧歌电子有限公司 XUYI OUGE ELECTRONIC CO.,LTD. TEL: 0086-760-22286356 F AX:0086-760-22286951 Email: sales@ougedianzi.com				SCALE: 1/1	TERMINAL MAT:CP WIRE	PIN TENSION LOAD: 1.0 KGS MIN
					DATE: 2015.05.15	DRAWING NO:



DRAFTED BY	付志良	TOLERANCE		ANGLR: ±1°	MODEL NAME: EFD-50H(9+7) PIN	
CHECKED BY	吴志权	0<L≤4 ±0.1 4<L≤16 ±0.2 16<L≤63 ±0.3	Pin pitch ±0.20	UNIT:MM	MATERIAL: PHENOLIC	UL REC: UL 94V-0
 盱眙欧歌电子有限公司 XUYI OUGE ELECTRONIC CO.,LTD. TEL: 0086-760-22286356 F AX:0086-760-22286951 Email: sales@ougedianzi.com				SCALE: 1/1	TERMINAL MAT:CP WIRE	PIN TENSION LOAD: 1.0 KGS MIN
					DATE: 2015.05.15	DRAWING NO:



DRAFTED BY	付志良	TOLERANCE		ANGLR: ±1°	MODEL NAME: EFD-50H(2SEC9+7) PIN	
CHECKED BY	吴志权	0<L≤4 ±0.1 4<L≤16 ±0.2 16<L≤63 ±0.3	Pin pitch ±0.20	UNIT:MM	MATERIAL: PHENOLIC	UL REC: UL 94V-0
 盱眙欧歌电子有限公司 XUYI OUGE ELECTRONIC CO.,LTD. TEL: 0086-760-22286356 F AX:0086-760-22286951 Email: sales@ougedianzi.com				SCALE: 1/1	TERMINAL MAT:CP WIRE	PIN TENSION LOAD: 1.0 KGS MIN
					DATE: 2015.05.15	DRAWING NO: