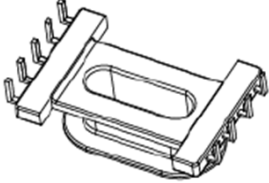
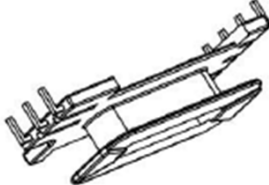
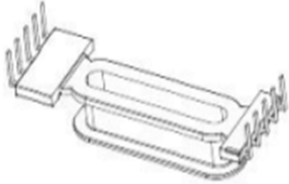

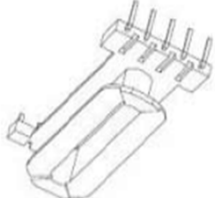
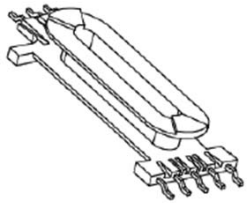
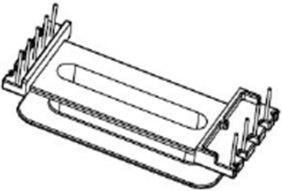
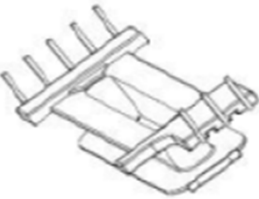
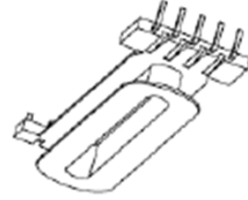


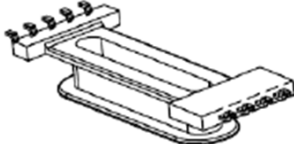


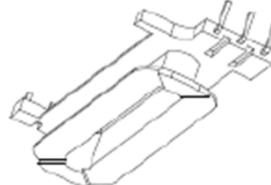
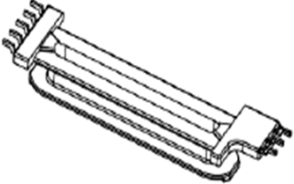
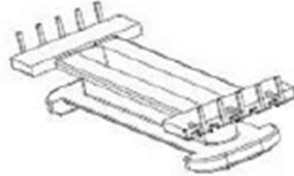


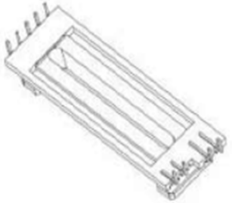
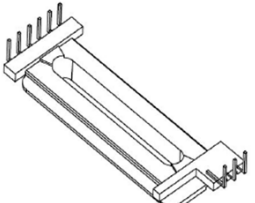
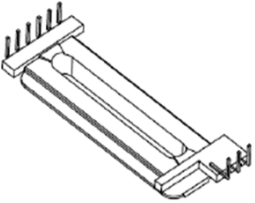
OUGE

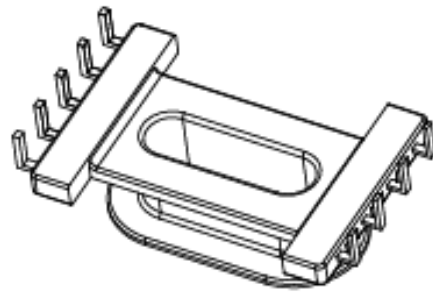
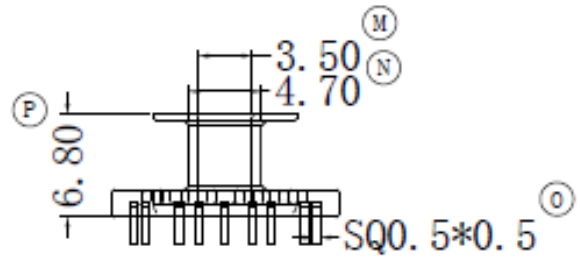
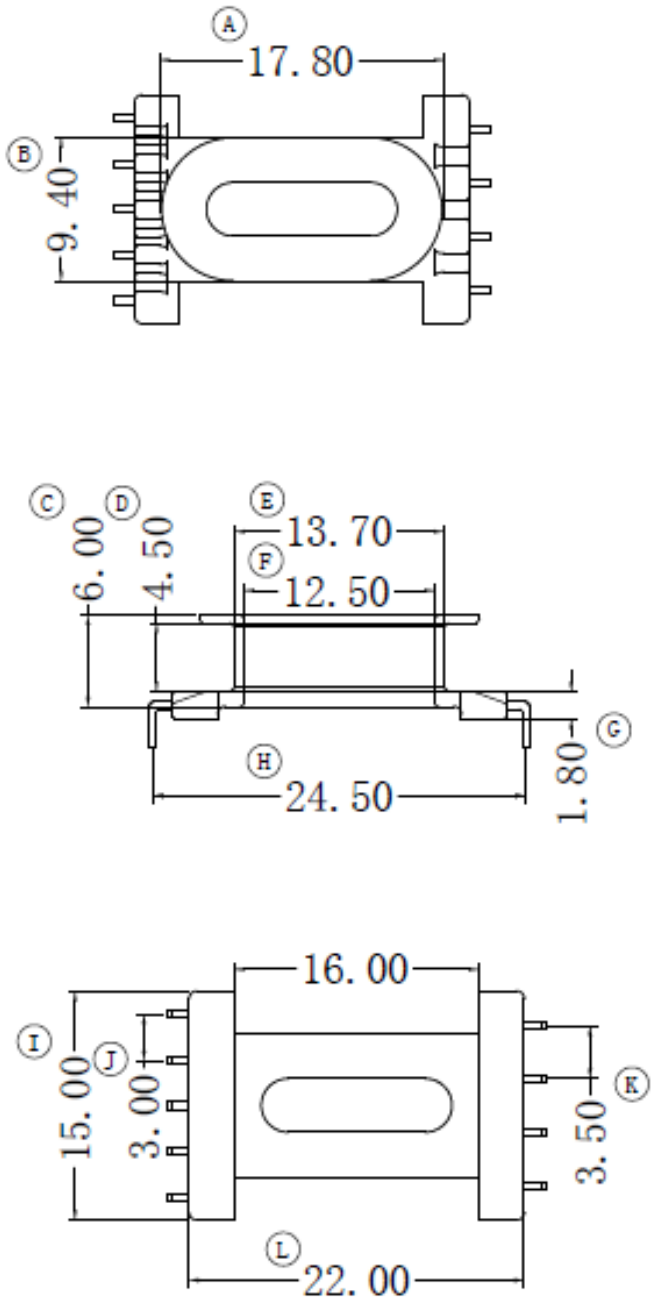
RM Bobbin Type


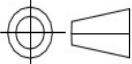
ITEM NO	DESCRIPTION	PIN CIRCUIT	PIN:PIN	ROW:ROW	PHOTO
ER1401	EDR1401 DIP	5X4	3/3.5	24.5	
EDR2009	EDR2009 DIP	5X3	3.02	33.9	
EDR2510	EDR2510 DIP	5X5	2.5	38.7	
EDR2609	EDR2609 DIP	5X3	3.0	40.0	
EDR2609-1	EDR2609-1 DIP	5X5	3.0	40	

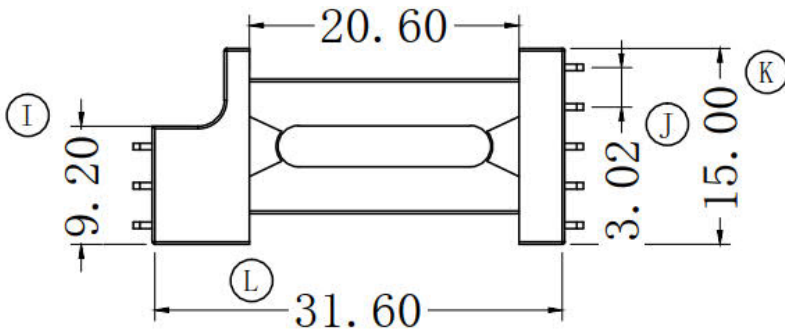
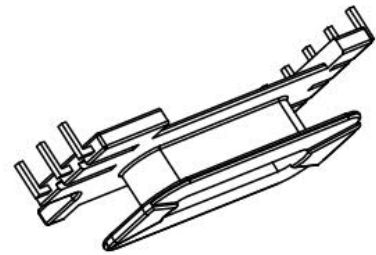
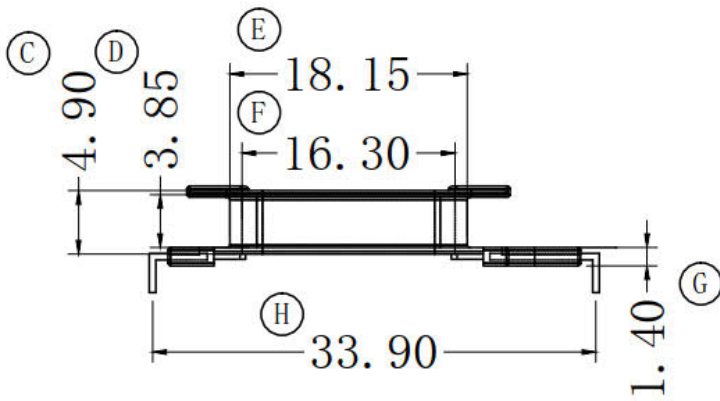
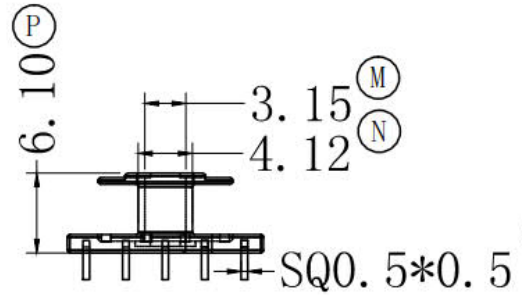
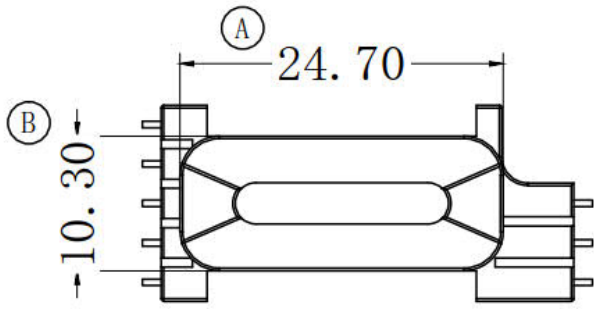
ITEM NO	DESCRIPTION	PIN CIRCUIT	PIN:PIN	ROW:ROW	PHOTO
EDR2601	EDR2601 SMD	5X3	3.0	44.54	
EDR2642	EDR2642 DIP	4X5	6.5/5.0	54.2	
EDR2809	EDR2809 DIP	5X3	3.0	42.7	
EDR2809-1	EDR2809 DIP	5X5	3.0	42.5	
EDR2810	EDR2810 DIP	5X2	3.0	42.6	
EDR2813	EDR2813 DIP	5X4	3.0	42.5	


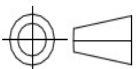
ITEM NO	DESCRIPTION	PIN CIRCUIT	PIN:PIN	ROW:ROW	PHOTO
EDR2813-1	EDR2813-1 SMD	5X4	3.0	48.8	
EDR3209	EDR3209 DIP	5X3	3.0	47.5	
EDR3901	EDR3909 DIP	5X3	3.0	53	
EDR3902	EDR3902 DIP	5X3	3.0/9.0	52.5	
EDR3903	EDR3903 SMD	5X3	3.0	57.0	
EDR4001	EDR4001 DIP	5X5	3.0	57.4	

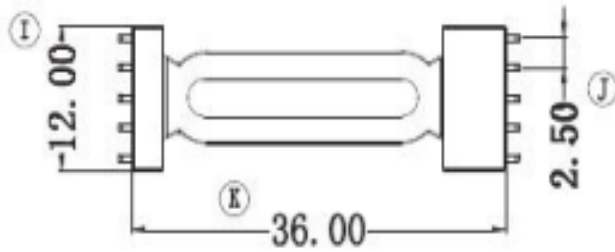
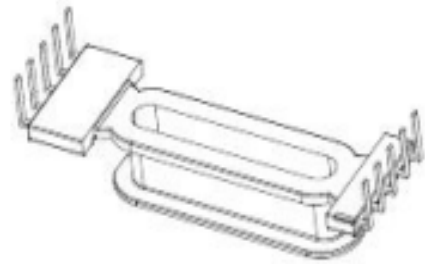
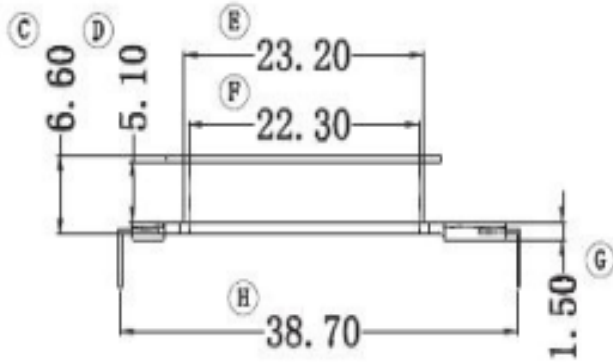
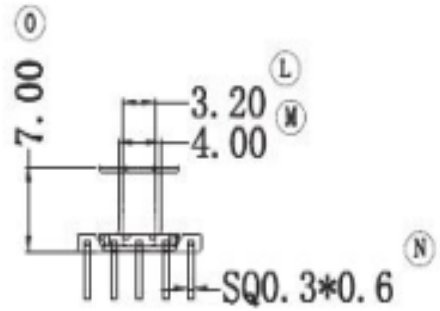
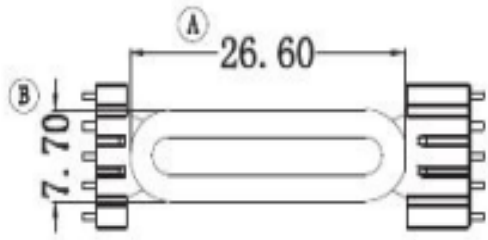
ITEM NO	DESCRIPTION	PIN CIRCUIT	PIN:PIN	ROW:ROW	PHOTO
EDR4002	EDR4002 DIP	5X5	3/6	57.4/59.76	
EDR4003	EDR4003 DIP	6X3	3.0	56.5	
EDR4003-1	EDR4003-1 DIP	6X3	3.0	56.5	


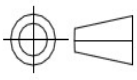


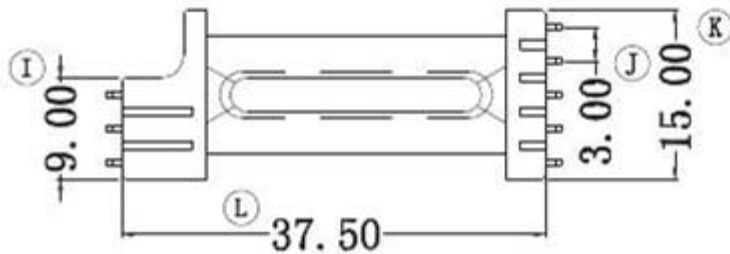
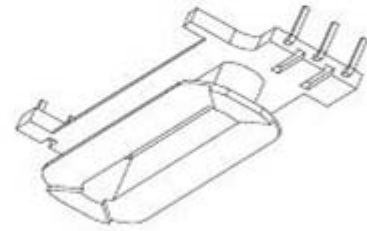
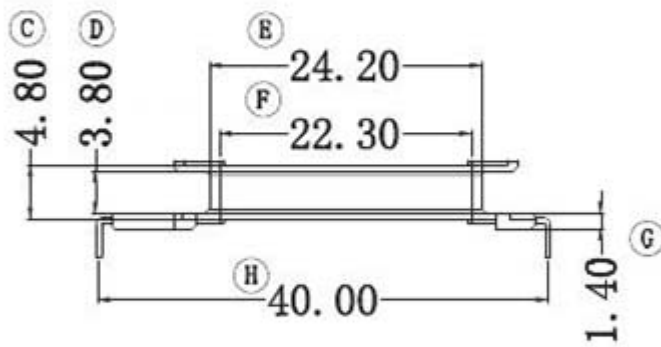
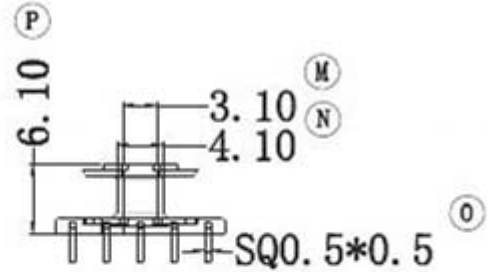
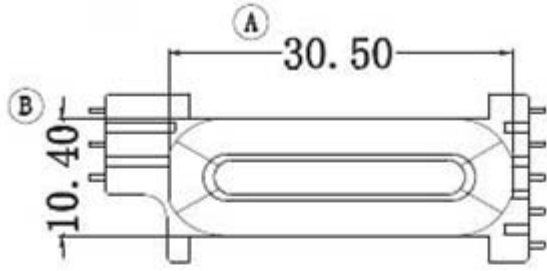
DRAFTED BY	付志良	TOLERANCE		ANGLR: ±1°	MODEL NAME: EDR-14V(5+4) PIN	
CHECKED BY	吴志权	0<L≤4 ±0.1 4<L≤16 ±0.2 16<L≤63 ±0.3	Pin pitch ±0.20	UNIT:MM	MATERIAL: PHENOLIC	UL REC: UL 94V-0
 盱眙欧歌电子有限公司 XUYI OUGE ELECTRONIC CO.,LTD. TEL: 0086-760-22286356 FAX:0086-760-22286951 Email: sales@ougedianzi.com				SCALE: 1/1	TERMINAL MAT:CP WIRE	PIN TENSION LOAD: 1.0 KGS MIN
					DATE: 2016.02.08	DRAWING NO:


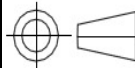


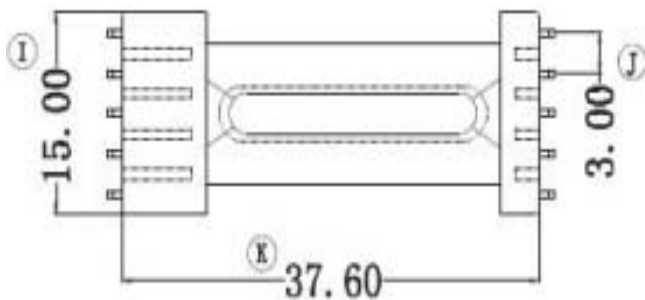
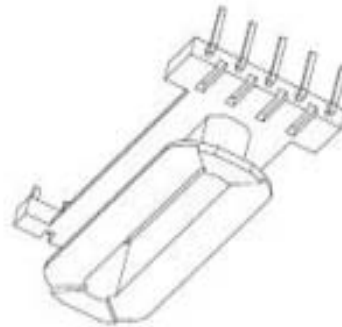
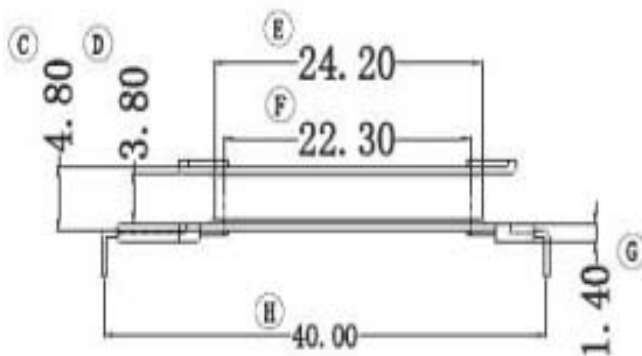
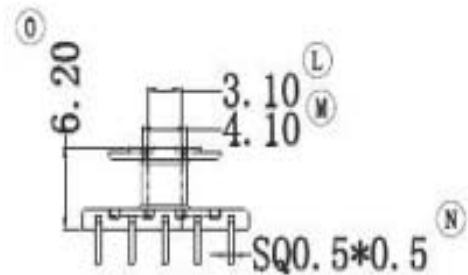
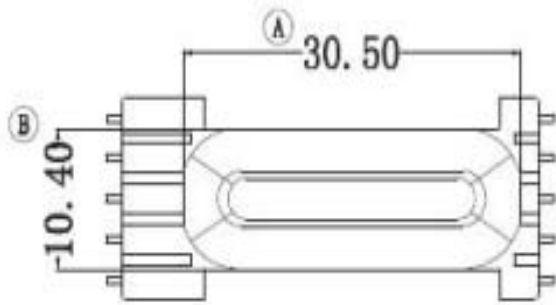
DRAFTED BY	付志良	TOLERANCE		ANGLR: ±1°	MODEL NAME: EDR-20V(5+3) PIN	
CHECKED BY	吴志权	0<L≤4 ±0.1 4<L≤16 ±0.2 16<L≤63 ±0.3	Pin pitch ±0.20	UNIT:MM	MATERIAL: PHENOLIC	UL REC: UL 94V-0
 盱眙欧歌电子有限公司 XUYI OUGE ELECTRONIC CO.,LTD. TEL: 0086-760-22286356 FAX: 0086-760-22286951 Email: sales@ougedianzi.com				SCALE: 1/1	TERMINAL MAT:CP WIRE	PIN TENSION LOAD: 1.0 KGS MIN
					DATE: 2015.02.08	DRAWING NO:


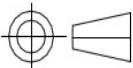


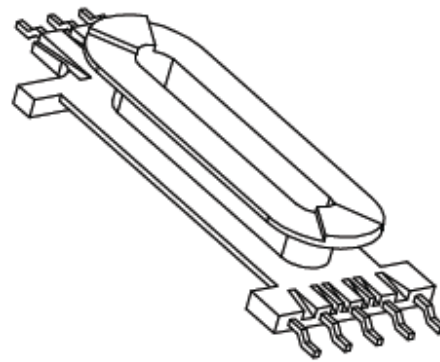
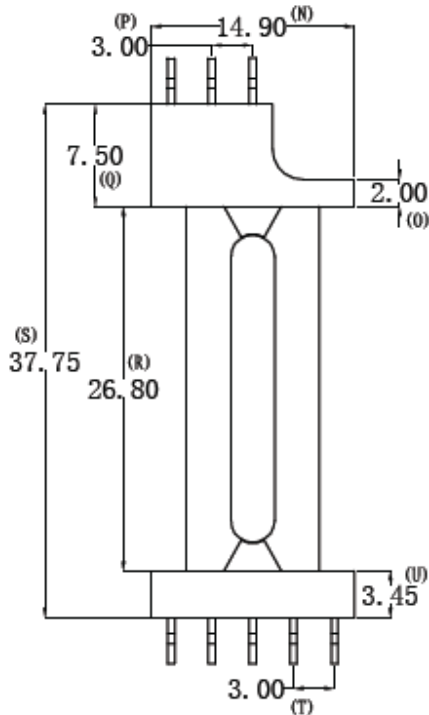
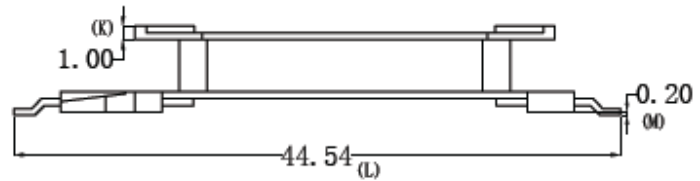
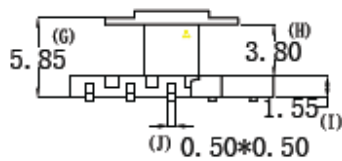
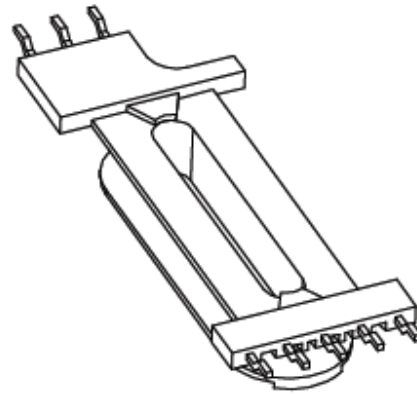
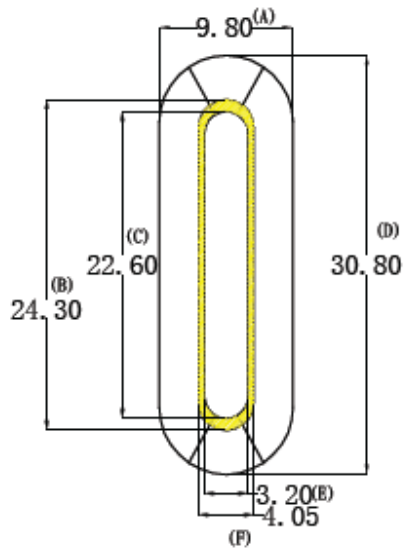
DRAFTED BY	付志良	TOLERANCE		ANGLR: ±1°	MODEL NAME: EDR-25V(5+5) PIN	
CHECKED BY	吴志权	0<L≤4 ±0.1 4<L≤16 ±0.2 16<L≤63 ±0.3	Pin pitch ±0.20	UNIT:MM	MATERIAL: PHENOLIC	UL REC: UL 94V-0
 盱眙欧歌电子有限公司 XUYI OUGE ELECTRONIC CO.,LTD. TEL: 0086-760-22286356 FAX:0086-760-22286951 Email: sales@ougedianzi.com				SCALE: 1/1	TERMINAL MAT:CP WIRE	PIN TENSION LOAD: 1.0 KGS MIN
					DATE: 2015.02.08	DRAWING NO:


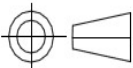


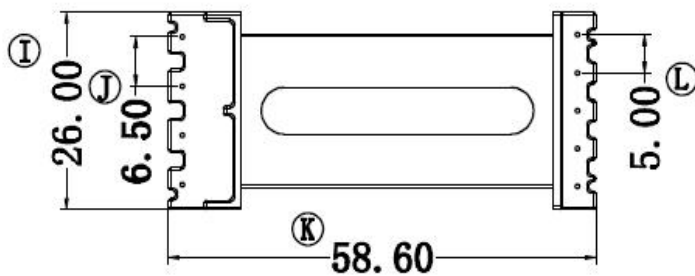
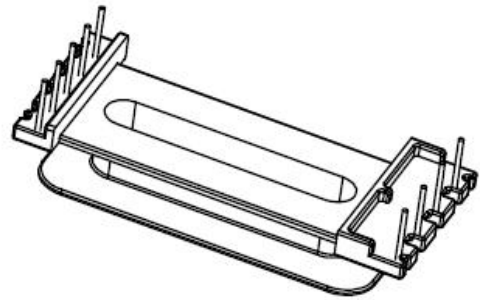
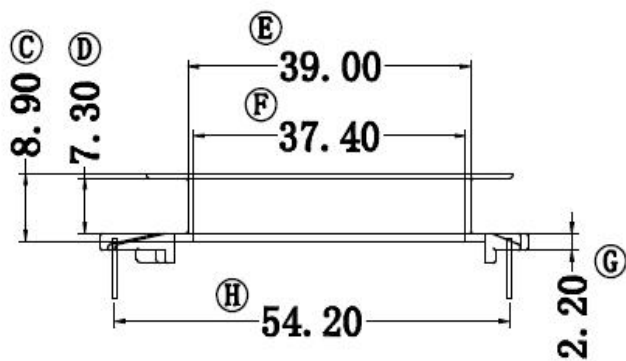
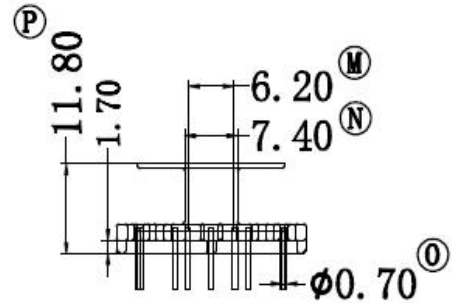
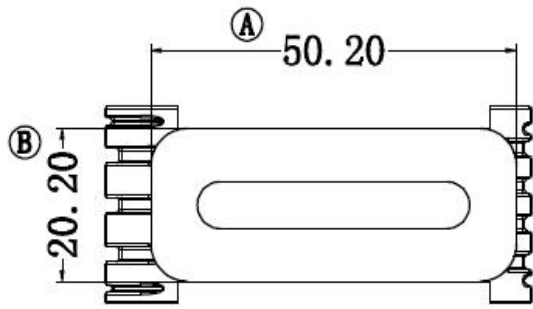
DRAFTED BY	付志良	TOLERANCE		ANGLR: ±1°	MODEL NAME: EDR-26V(3+5) PIN	
CHECKED BY	吴志权	0<L≤4 ±0.1 4<L≤16 ±0.2 16<L≤63 ±0.3	Pin pitch ±0.20	UNIT:MM	MATERIAL: PHENOLIC	UL REC: UL 94V-0
 盱眙欧歌电子有限公司 XUYI OUGE ELECTRONIC CO.,LTD. TEL: 0086-760-22286356 FAX:0086-760-22286951 Email: sales@ougedianzi.com				SCALE: 1/1	TERMINAL MAT:CP WIRE	PIN TENSION LOAD: 1.0 KGS MIN
					DATE: 2015.03.10	DRAWING NO:



DRAFTED BY	付志良	TOLERANCE		ANGLR: ±1°	MODEL NAME: EDR-26V(5+5) PIN	
CHECKED BY	吴志权	0<L≤4 ±0.1 4<L≤16 ±0.2 16<L≤63 ±0.3	Pin pitch ±0.20	UNIT:MM	MATERIAL: PHENOLIC	UL REC: UL 94V-0
 盱眙欧歌电子有限公司 XUYI OUGE ELECTRONIC CO.,LTD. TEL: 0086-760-22286356 FAX:0086-760-22286951 Email: sales@ougedianzi.com				SCALE: 1/1	TERMINAL MAT:CP WIRE	PIN TENSION LOAD: 1.0 KGS MIN
					DATE: 2015.03.10	DRAWING NO:



DRAFTED BY	付志良	TOLERANCE		ANGLR: ±1°	MODEL NAME: EDR-26V(5+3) PIN	
CHECKED BY	吴志权	0<L≤4 ±0.1 4<L≤16 ±0.2 16<L≤63 ±0.3	Pin pitch ±0.20	UNIT:MM	MATERIAL: PHENOLIC	UL REC: UL 94V-0
 盱眙欧歌电子有限公司 XUYI OUGE ELECTRONIC CO.,LTD. TEL: 0086-760-22286356 FAX:0086-760-22286951 Email: sales@ougedianzi.com				SCALE: 1/1	TERMINAL MAT:CP WIRE	PIN TENSION LOAD: 1.0 KGS MIN
					DATE: 2015.02.08	DRAWING NO:

DRAFTED
BY

付志良

TOLERANCE

ANGLR:
 $\pm 1^\circ$

MODEL NAME:

EDR-2642 V(4+5) PIN

CHECKED
BY

吴志权

 $0 < L \leq 4 \pm 0.1$
 $4 < L \leq 16 \pm 0.2$
 $16 < L \leq 63 \pm 0.3$
Pin pitch
 ± 0.20

UNIT:MM

MATERIAL:

PHENOLIC

UL REC:

UL 94V-0



盱眙欧歌电子有限公司

XUYI OUGE ELECTRONIC CO.,LTD.

TEL: 0086-760-22286356

FAX:0086-760-22286951

Email: sales@ougedianzi.com

SCALE:

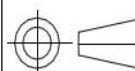
1/1

TERMINAL

MAT:CP WIRE

PIN TENSION LOAD:

1.0 KGS MIN



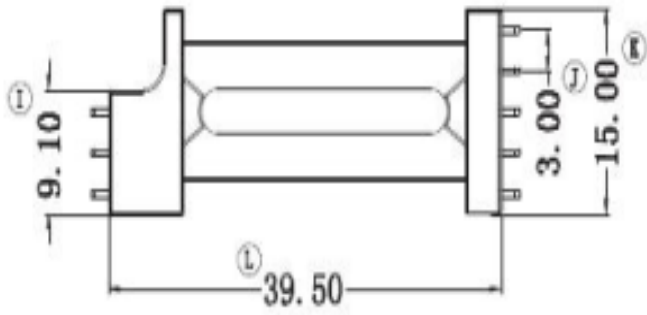
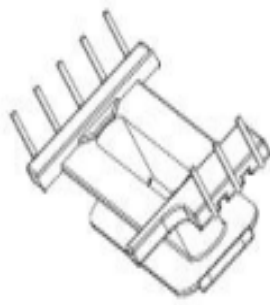
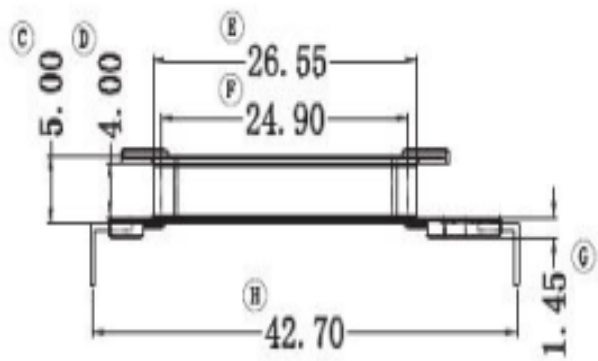
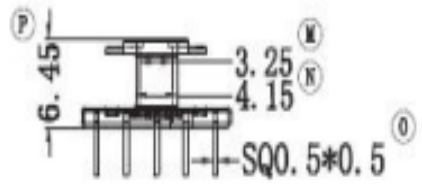
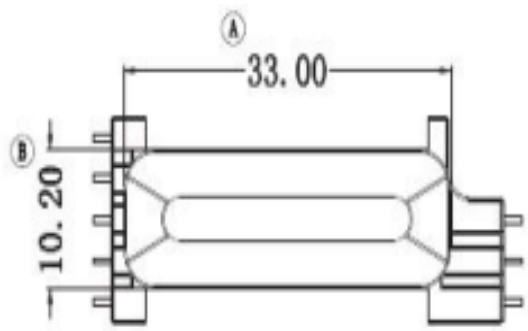
DATE:


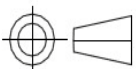
2018.05

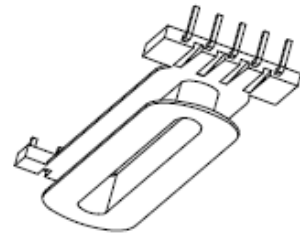
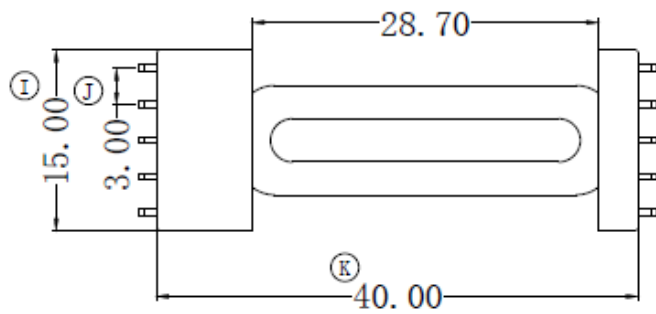
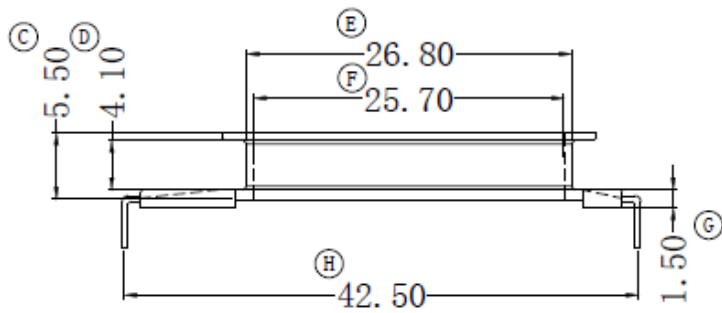
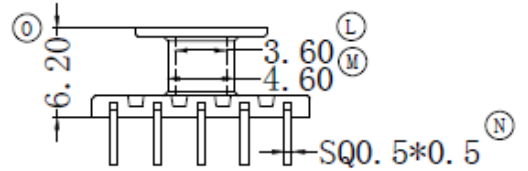
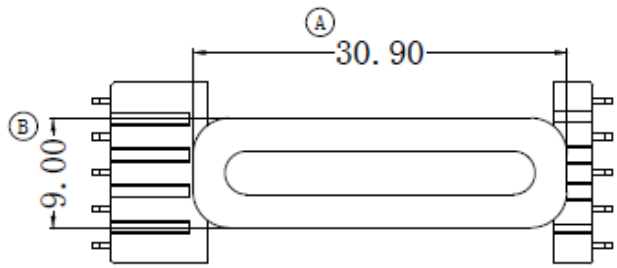
DRAWING

NO:

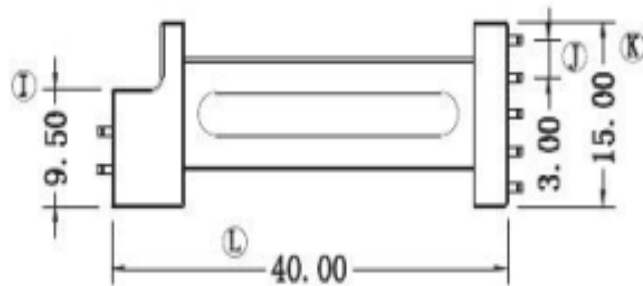
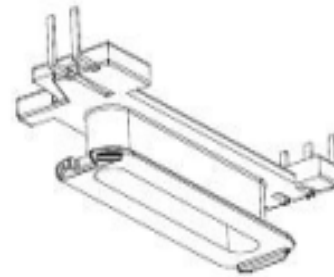
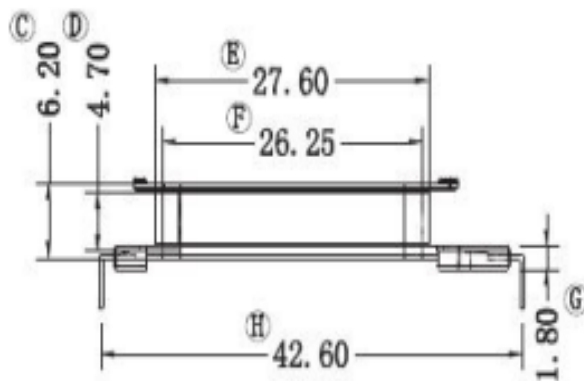
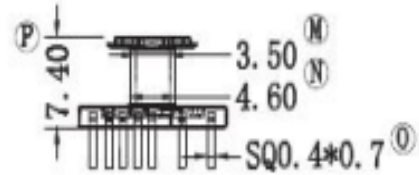
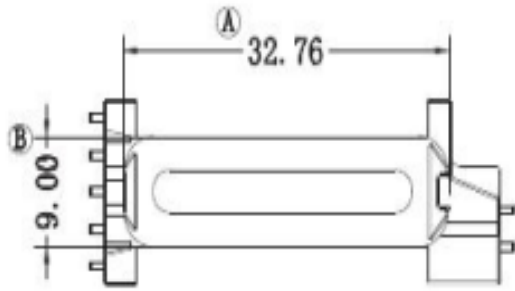
REV. A


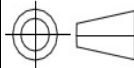


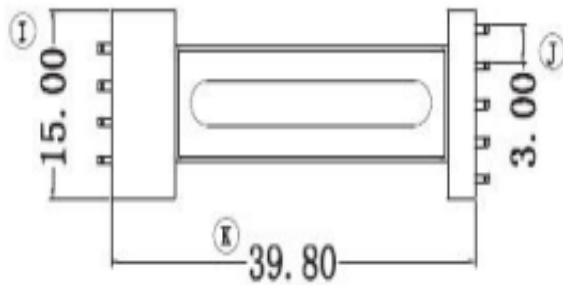
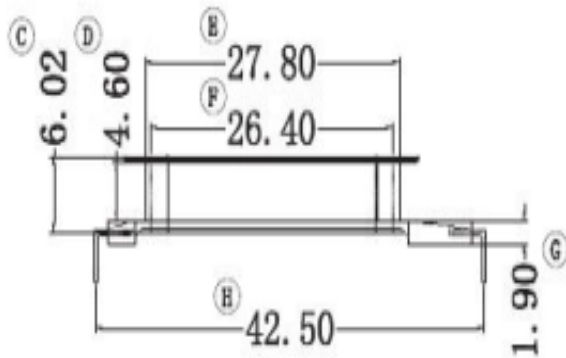
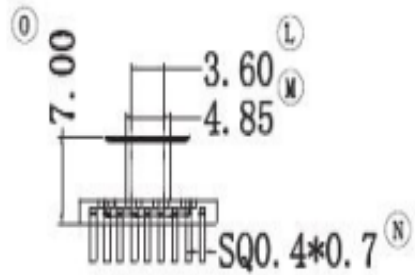
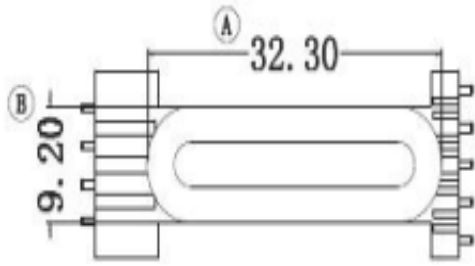
DRAFTED BY	付志良	TOLERANCE		ANGLR: ±1°	MODEL NAME: EDR-28V(5+3) PIN	
CHECKED BY	吴志权	0<L≤4 ±0.1 4<L≤16 ±0.2 16<L≤63 ±0.3	Pin pitch ±0.20	UNIT:MM	MATERIAL: PHENOLIC	UL REC: UL 94V-0
 盱眙欧歌电子有限公司 XUYI OUGE ELECTRONIC CO.,LTD. TEL: 0086-760-22286356 FAX: 0086-760-22286951 Email: sales@ougedianzi.com				SCALE: 1/1	TERMINAL MAT:CP WIRE	PIN TENSION LOAD: 1.0 KGS MIN
					DATE: 2015.02.08	DRAWING NO:


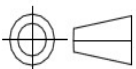


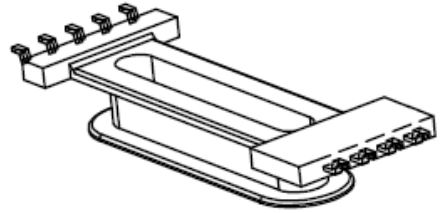
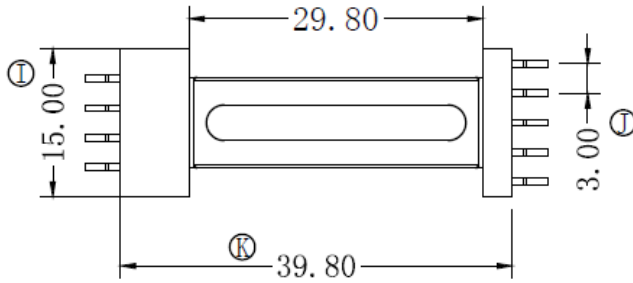
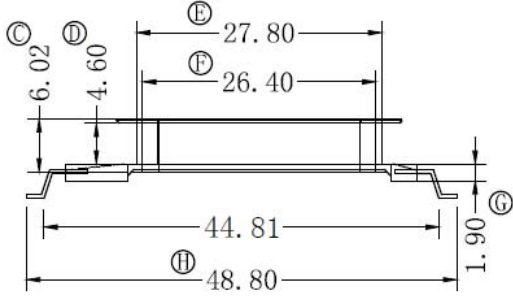
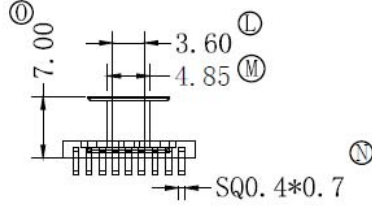
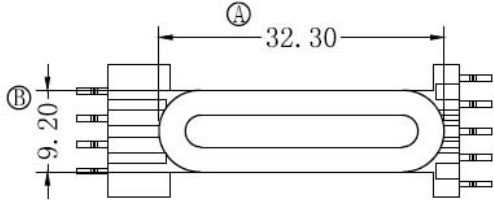
DRAFTED BY	付志良	TOLERANCE		ANGLR: ±1°	MODEL NAME: EDR-28V(5+5) PIN	
CHECKED BY	吴志权	0<L≤4 ±0.1 4<L≤16 ±0.2 16<L≤63 ±0.3	Pin pitch ±0.20	UNIT:MM	MATERIAL: PHENOLIC	UL REC: UL 94V-0
 盱眙欧歌电子有限公司 XUYI OUGE ELECTRONIC CO.,LTD. TEL: 0086-760-22286356 FAX:0086-760-22286951 Email: sales@ougedianzi.com				SCALE: 1/1	TERMINAL MAT:CP WIRE	PIN TENSION LOAD: 1.0 KGS MIN
					DATE: 2015.02.08	DRAWING NO:


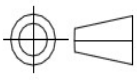


DRAFTED BY	付志良	TOLERANCE		ANGLR: ±1°	MODEL NAME: EDR-28V(5+2) PIN	
CHECKED BY	吴志权	0<L≤4 ±0.1 4<L≤16 ±0.2 16<L≤63 ±0.3	Pin pitch ±0.20	UNIT:MM	MATERIAL: PHENOLIC	UL REC: UL 94V-0
 盱眙欧歌电子有限公司 XUYI OUGE ELECTRONIC CO.,LTD. TEL: 0086-760-22286356 FAX:0086-760-22286951 Email: sales@ougedianzi.com				SCALE: 1/1	TERMINAL MAT:CP WIRE	PIN TENSION LOAD: 1.0 KGS MIN
					DATE: 2015.02.08	DRAWING NO:



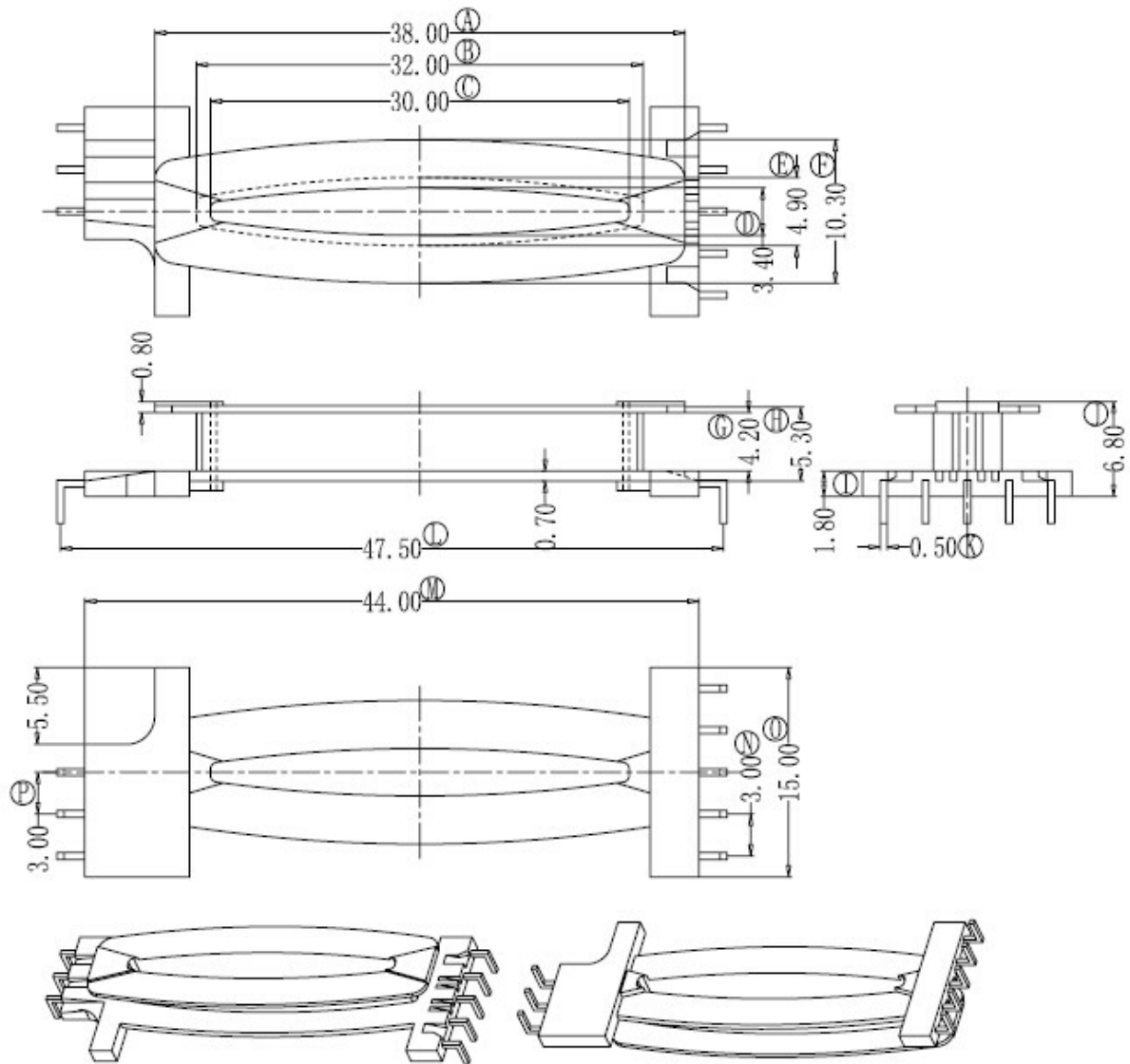
DRAFTED BY	付志良	TOLERANCE		ANGLR: ±1°	MODEL NAME: EDR-28V(5+4) PIN	
CHECKED BY	吴志权	0<L≤4 ±0.1 4<L≤16 ±0.2 16<L≤63 ±0.3	Pin pitch ±0.20	UNIT:MM	MATERIAL: PHENOLIC	UL REC: UL 94V-0
 盱眙欧歌电子有限公司 XUYI OUGE ELECTRONIC CO.,LTD. TEL: 0086-760-22286356 FAX:0086-760-22286951 Email: sales@ougedianzi.com				SCALE: 1/1	TERMINAL MAT:CP WIRE	PIN TENSION LOAD: 1.0 KGS MIN
					DATE: 2015.02.08	DRAWING NO:



DRAFTED BY	付志良	TOLERANCE		ANGLR: ±1°	MODEL NAME: EDR-28SMD(5+4) PIN	
CHECKED BY	吴志权	0<L≤4 ±0.1 4<L≤16 ±0.2 16<L≤63 ±0.3	Pin pitch ±0.20	UNIT:MM	MATERIAL: PHENOLIC	UL REC: UL 94V-0
 盱眙欧歌电子有限公司 XUYI OUGE ELECTRONIC CO.,LTD. TEL: 0086-760-22286356 FAX:0086-760-22286951 Email: sales@ougedianzi.com				SCALE: 1/1	TERMINAL MAT:CP WIRE	PIN TENSION LOAD: 1.0 KGS MIN
					DATE: 2015.02.08	DRAWING NO:

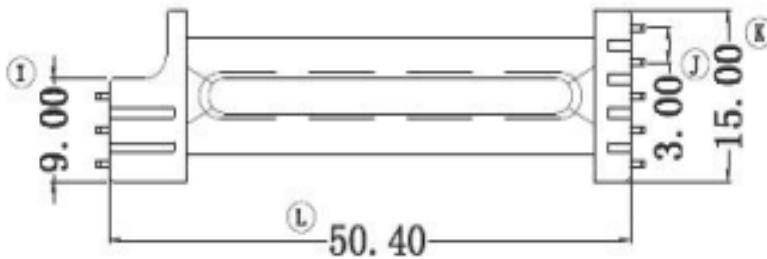
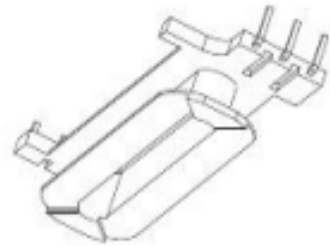
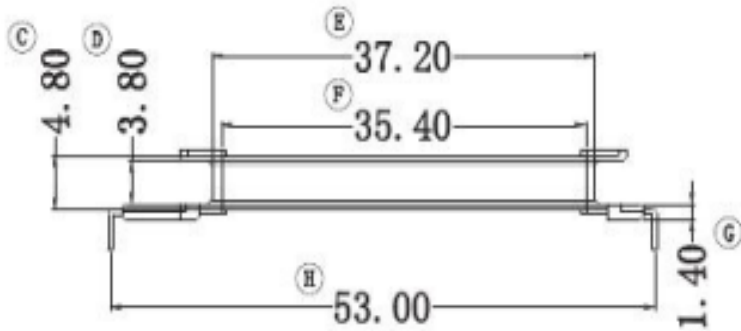
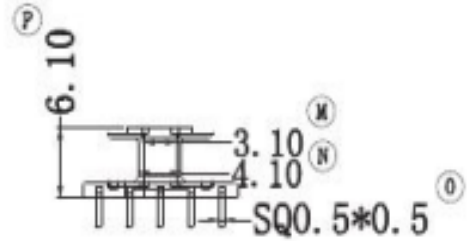
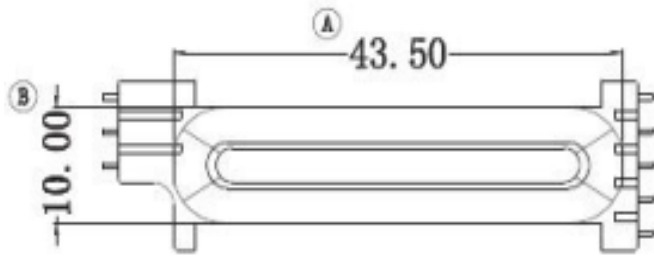
型号


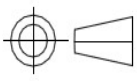
EDR3209

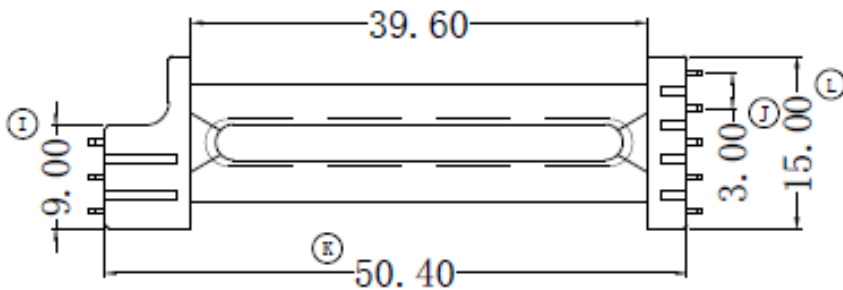
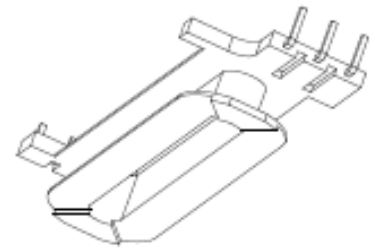
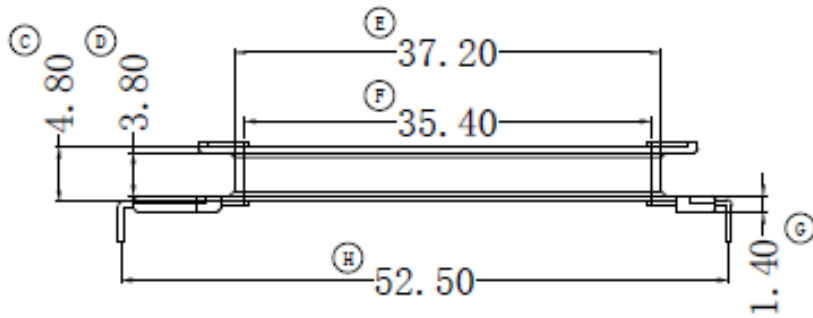
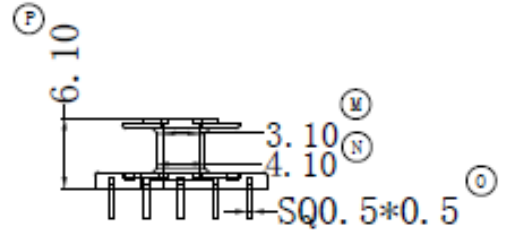
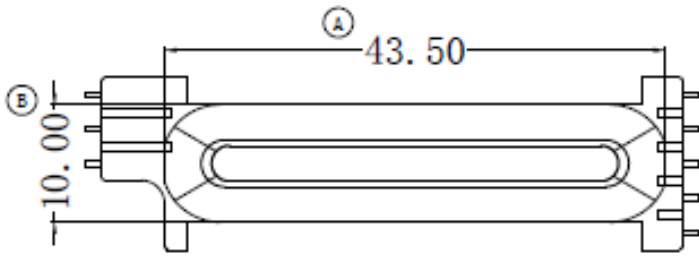



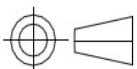
REV.	REVISIONS REC.	DATE.

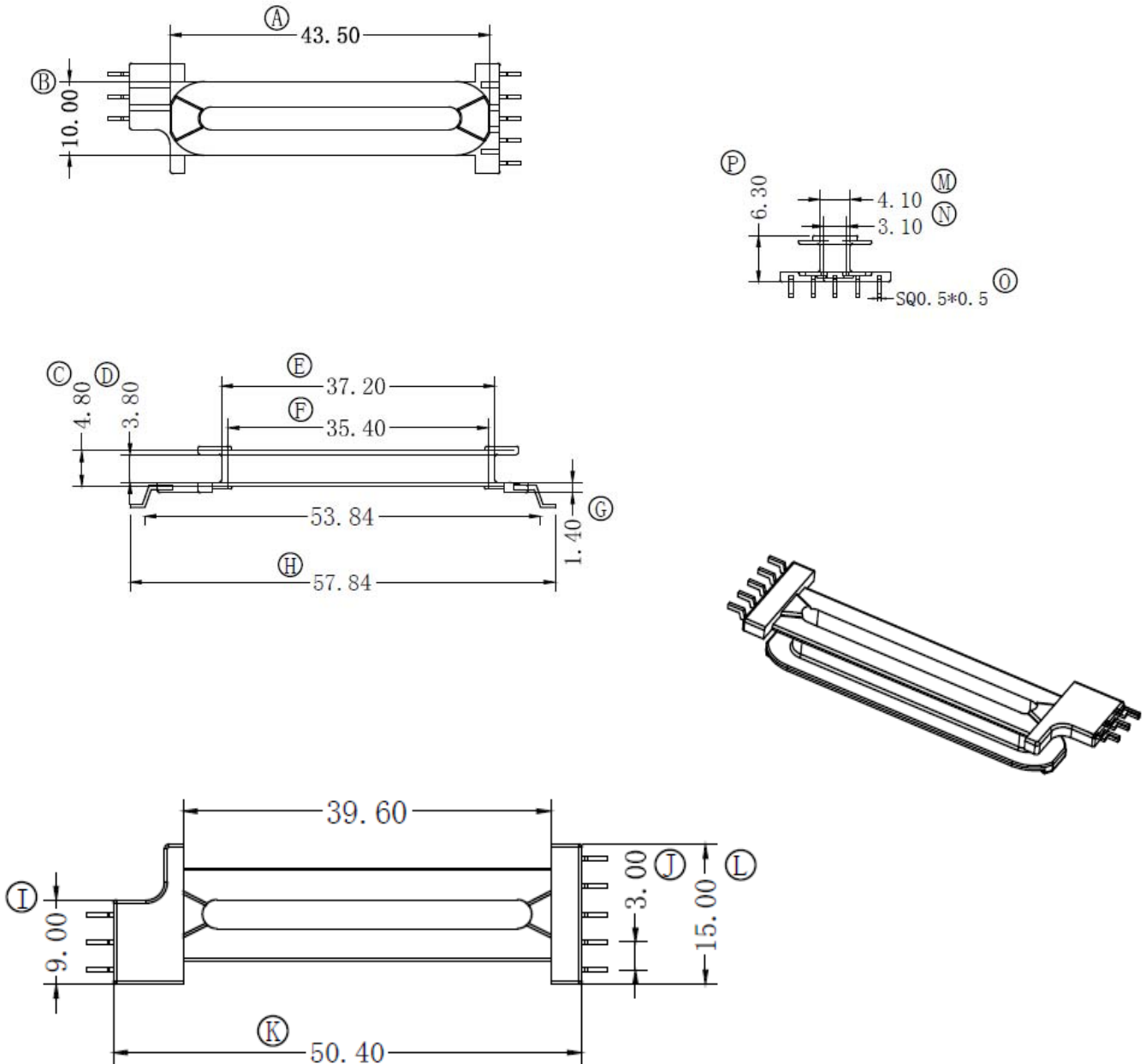
DRAFTED BY	TOLERANCE		ANGLR: ±1°	MODEL NAME: EDR-3209 BOBBIN (5:3PIN)		
CHECKED BY	0<L≤4 ±0.1 4<L≤16 ±0.2 16<L≤63 ±0.3	Pin pitch ±0.20	UNIT: MM	BOBBIN MATERIAL: PHENOLIC	UL REC: UL 94V-0	
盱眙欧歌电子有限公司 XUYI OU GE ELECTRONIC CO.,LTD. TEL: 0760-87867920/87867921 FAX:0760-22286951 Email: sales03@ougedianzi.com			SCALE: 1/1	TERMINAL MAT: CP WIRE	PIN TENSION LOAD: 1.0 KGS MIN	
				DATE: 2012.5.15	DRAWING NO:	REV. A



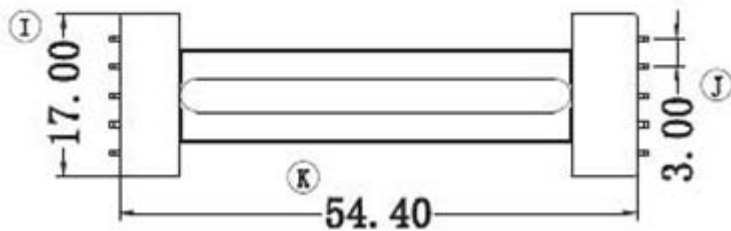
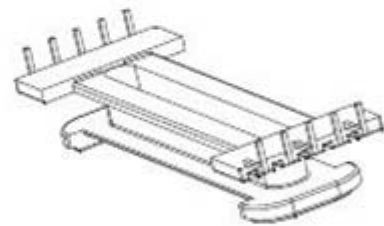
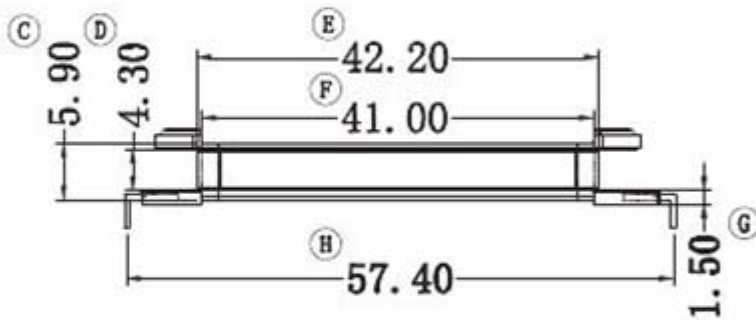
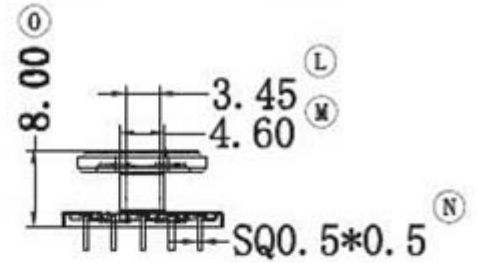
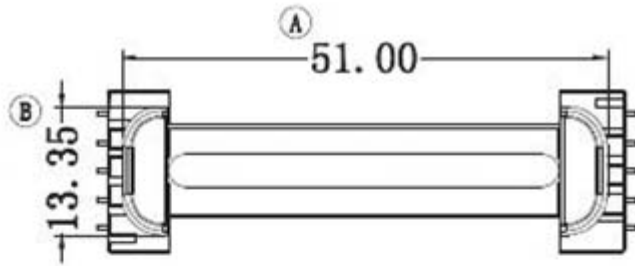
DRAFTED BY	付志良	TOLERANCE		ANGLR: ±1°	MODEL NAME: EDR-39V(5+3) PIN	
CHECKED BY	吴志权	0<L≤4 ±0.1 4<L≤16 ±0.2 16<L≤63 ±0.3	Pin pitch ±0.20	UNIT:MM	MATERIAL: PHENOLIC	UL REC: UL 94V-0
 盱眙欧歌电子有限公司 XUYI OUGE ELECTRONIC CO.,LTD. TEL: 0086-760-22286356 FAX:0086-760-22286951 Email: sales@ougedianzi.com				SCALE: 1/1	TERMINAL MAT:CP WIRE	PIN TENSION LOAD: 1.0 KGS MIN
					DATE: 2015.02.08	DRAWING NO:


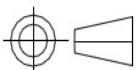


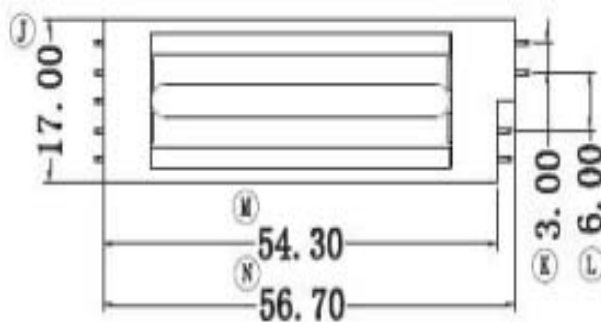
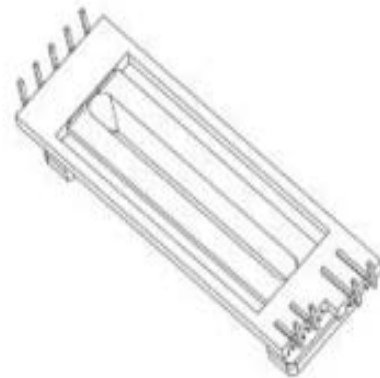
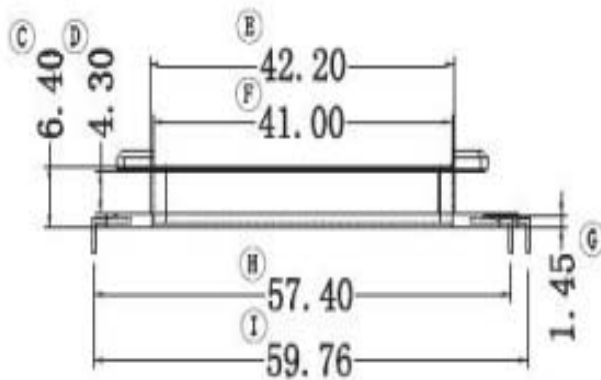
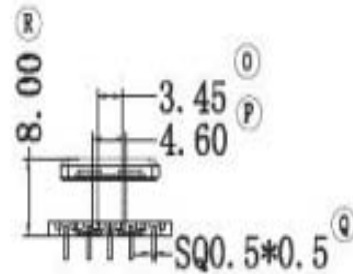
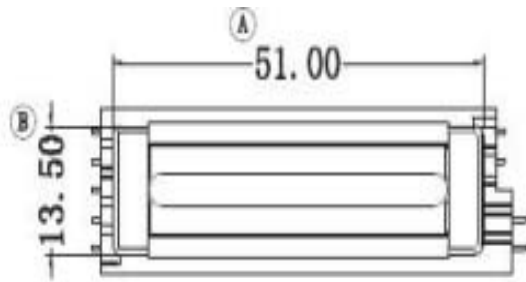
DRAFTED BY	付志良	TOLERANCE		ANGLR: ±1°	MODEL NAME: EDR-3902 (5+3) PIN	
CHECKED BY	吴志权	0<L≤4 ±0.1 4<L≤16 ±0.2 16<L≤63 ±0.3	Pin pitch ±0.20	UNIT:MM	MATERIAL: PHENOLIC	UL REC: UL 94V-0
 盱眙欧歌电子有限公司 XUYI OUGE ELECTRONIC CO.,LTD. TEL: 0086-760-22286356 FAX:0086-760-22286951 Email: sales@ougedianzi.com				SCALE: 1/1	TERMINAL MAT:CP WIRE	PIN TENSION LOAD: 1.0 KGS MIN
					DATE: 2018.05	DRAWING NO:


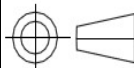


DRAFTED BY	付志良	TOLERANCE		ANGLR: ±1°	MODEL NAME: EDR-39SMD(5+3) PIN	
CHECKED BY	吴志权	0<L≤4 ±0.1 4<L≤16 ±0.2 16<L≤63 ±0.3	Pin pitch ±0.20	UNIT:MM	MATERIAL: PHENOLIC	UL REC: UL 94V-0
 盱眙欧歌电子有限公司 XUYI OUGE ELECTRONIC CO.,LTD. TEL: 0086-760-22286356 FAX:0086-760-22286951 Email: sales@ougedianzi.com				SCALE: 1/1	TERMINAL MAT:CP WIRE	PIN TENSION LOAD: 1.0 KGS MIN
					DATE: 2015.02.08	DRAWING NO:

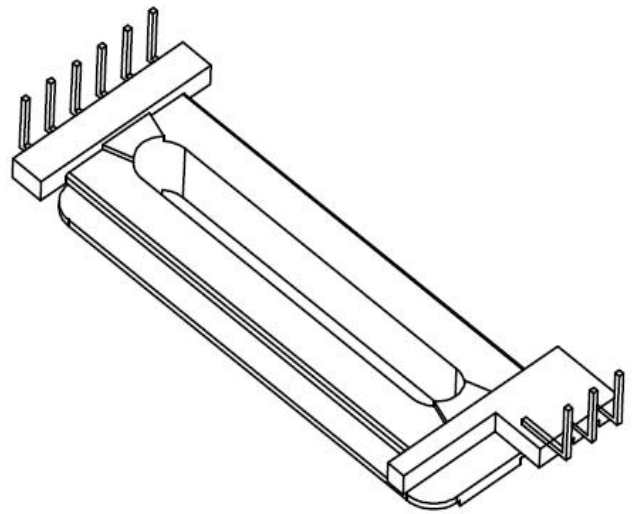
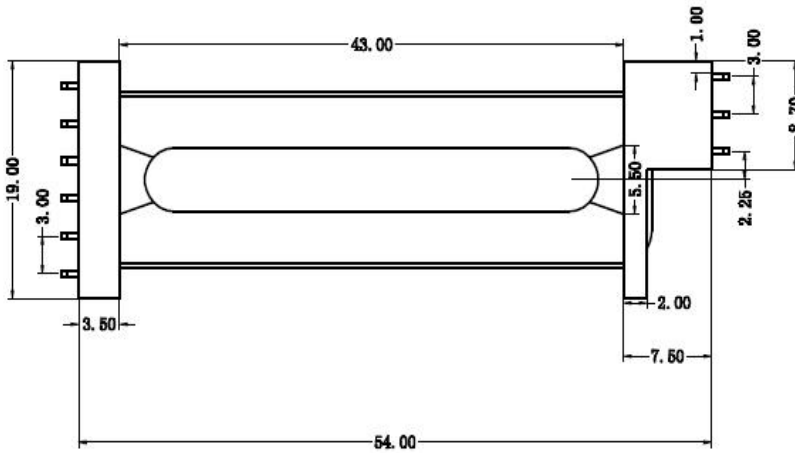
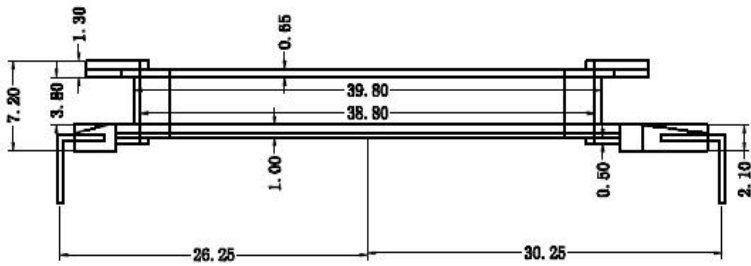
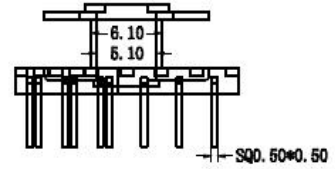
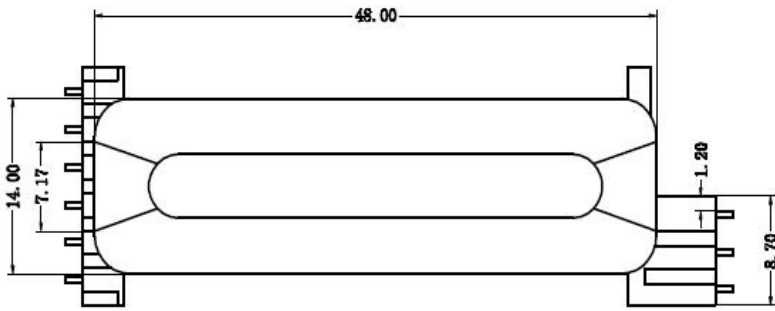



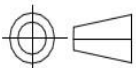
DRAFTED BY	付志良	TOLERANCE		ANGLR: ±1°	MODEL NAME: EDR-40 (5+5) PIN	
CHECKED BY	吴志权	0<L≤4 ±0.1 4<L≤16 ±0.2 16<L≤63 ±0.3	Pin pitch ±0.20	UNIT:MM	MATERIAL: PHENOLIC	UL REC: UL 94V-0
 盱眙欧歌电子有限公司 XUYI OUGE ELECTRONIC CO.,LTD. TEL: 0086-760-22286356 FAX:0086-760-22286951 Email: sales@ougedianzi.com				SCALE: 1/1	TERMINAL MAT:CP WIRE	PIN TENSION LOAD: 1.0 KGS MIN
					DATE: 2015.02.08	DRAWING NO:

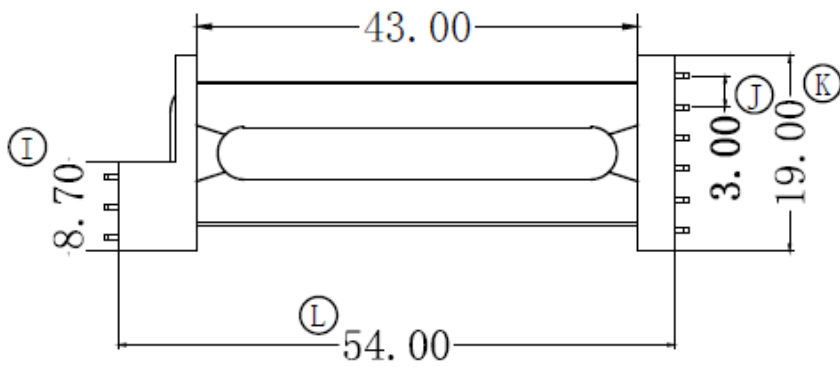
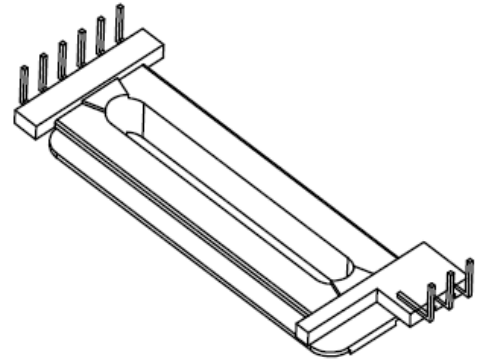
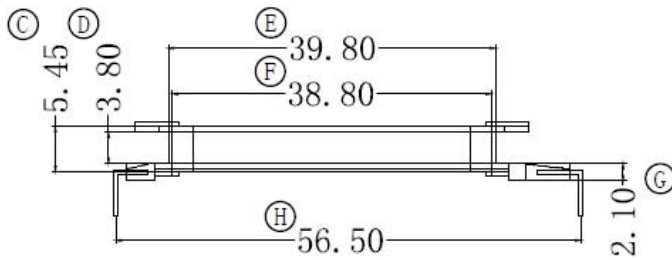
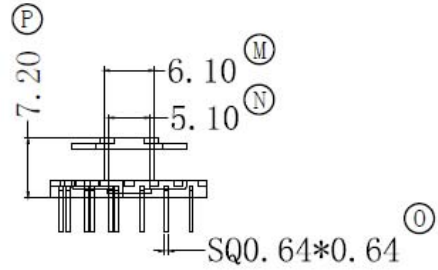
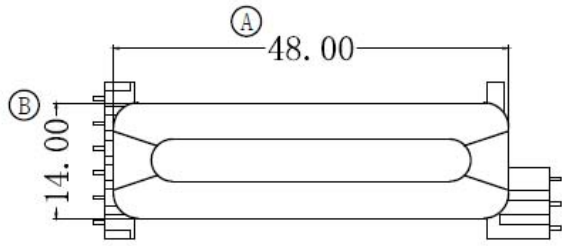



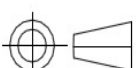
DRAFTED BY	付志良	TOLERANCE		ANGLR: ±1°	MODEL NAME: EDR-40V(5+5) PIN	
CHECKED BY	吴志权	0<L≤4 ±0.1 4<L≤16 ±0.2 16<L≤63 ±0.3	Pin pitch ±0.20	UNIT:MM	MATERIAL: PHENOLIC	UL REC: UL 94V-0
 盱眙欧歌电子有限公司 XUYI OUGE ELECTRONIC CO.,LTD. TEL: 0086-760-22286356 FAX:0086-760-22286951 Email: sales@ougedianzi.com				SCALE: 1/1	TERMINAL MAT:CP WIRE	PIN TENSION LOAD: 1.0 KGS MIN
					DATE: 2015.02.08	DRAWING NO:

Item	EDR-4003
------	----------



DRAFTED BY	付志良	TOLERANCE		ANGLR: $\pm 1^\circ$	MODEL NAME: EDR-40/20V(6+3) PIN	
CHECKED BY	吴志权	$0 < L \leq 4 \pm 0.1$ $4 < L \leq 16 \pm 0.2$ $16 < L \leq 63 \pm 0.3$	Pin pitch ± 0.20	UNIT:MM	MATERIAL: PHENOLIC	UL REC: UL 94V-0
 盱眙欧歌电子有限公司 XUYI OUGE ELECTRONIC CO.,LTD. TEL: 0086-760-22286356 FAX:0086-760-22286951 Email: sales@ougedianzi.com				SCALE: 1/1	TERMINAL MAT:CP WIRE	PIN TENSION LOAD: 1.0 KGS MIN
					DATE: 2018.05	DRAWING NO:



DRAFTED BY	付志良	TOLERANCE		ANGLR: ±1°	MODEL NAME: EDR-40 (6+3) PIN	
CHECKED BY	吴志权	0 < L ≤ 4 ±0.1 4 < L ≤ 16 ±0.2 16 < L ≤ 63 ±0.3	Pin pitch ±0.20	UNIT:MM	MATERIAL: PHENOLIC	UL REC: UL 94V-0
 盱眙欧歌电子有限公司 XUYI OUGE ELECTRONIC CO.,LTD. TEL: 0086-760-22286356 FAX:0086-760-22286951 Email: sales@ougedianzi.com				SCALE: 1/1	TERMINAL MAT:CP WIRE	PIN TENSION LOAD: 1.0 KGS MIN
					DATE: 2018.05	DRAWING NO: