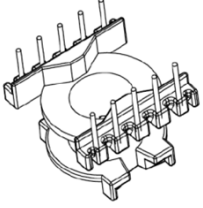
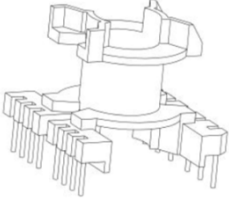
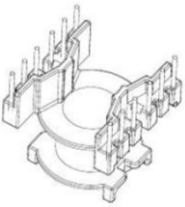
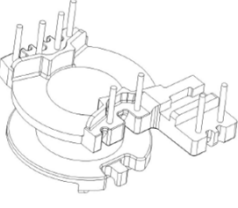
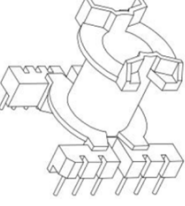
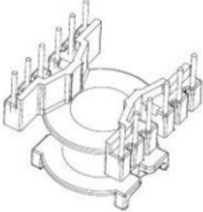

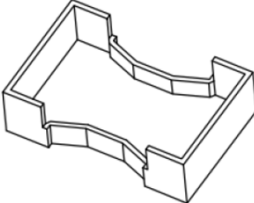
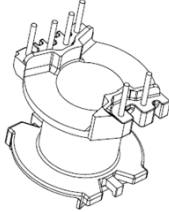
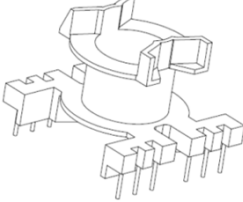
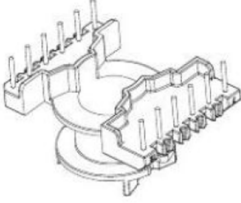
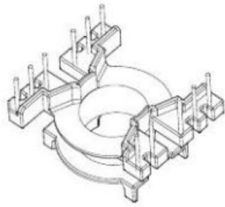
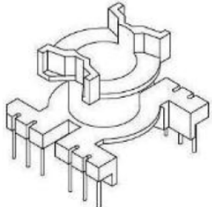
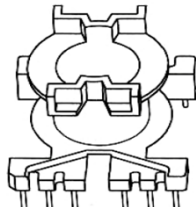
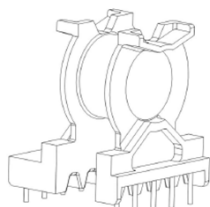
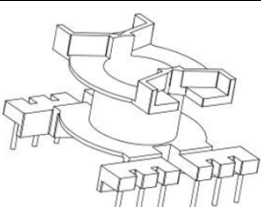
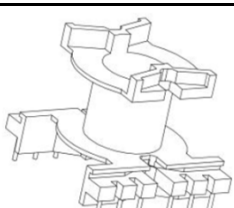


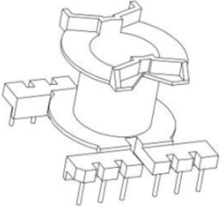
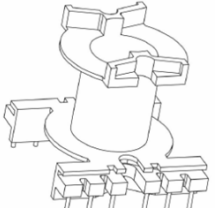
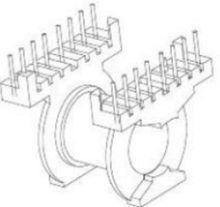
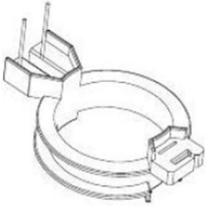
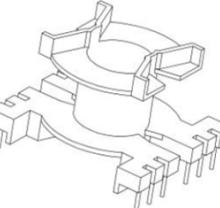
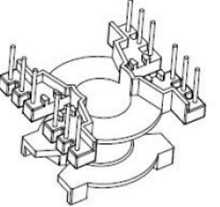
OUGE

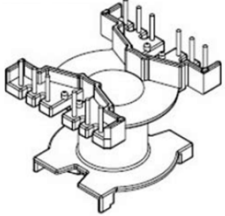
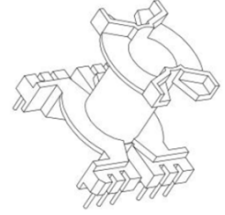
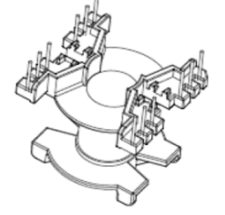
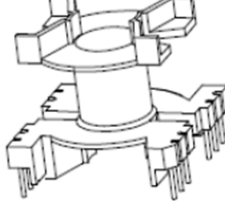
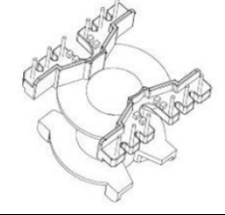
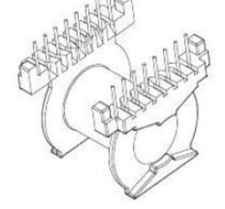
PQ Bobbin Type

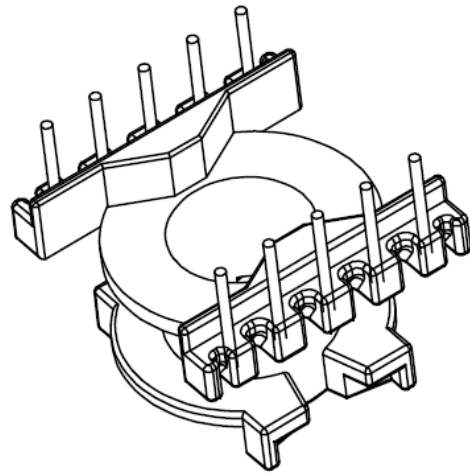
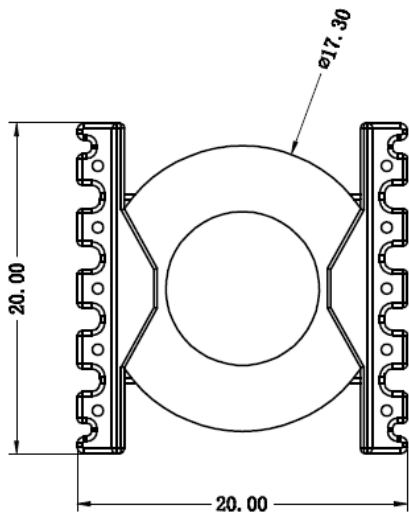
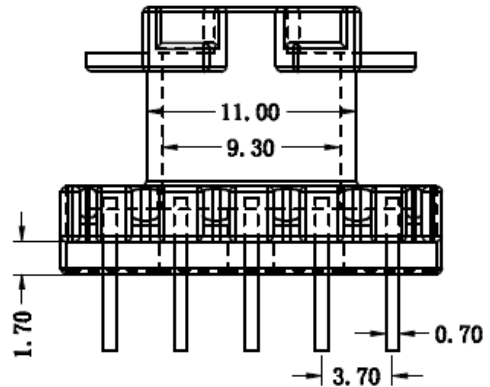
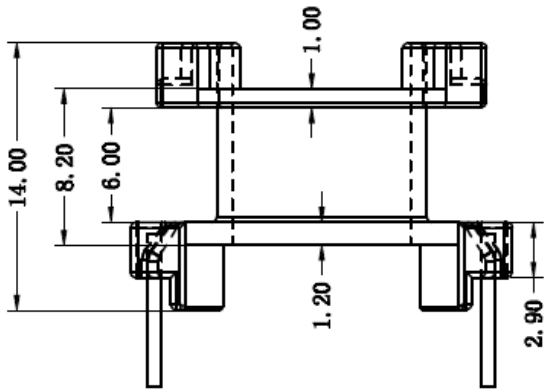
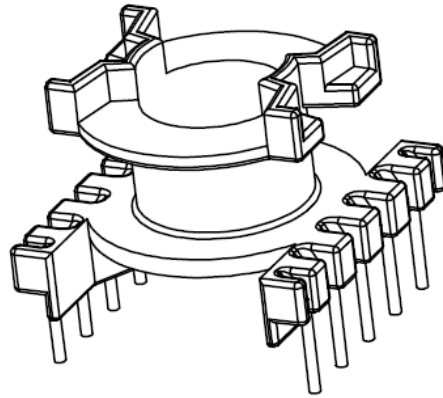
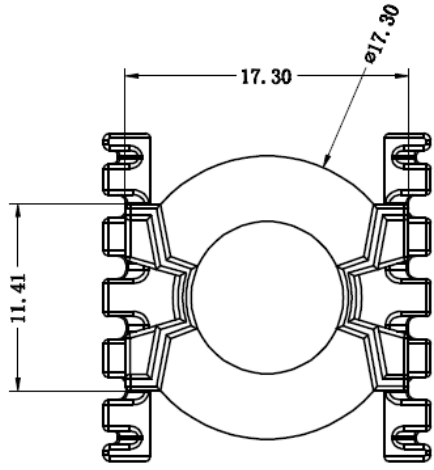
ITEM NO	DESCRIPTION	PIN CIRCUIT	PIN:PIN	ROW:ROW	PHOTO
PQ2014	PQ2014 Vertical	5X5	3.7	17.3	
PQ2016	PQ2016 Vertical	6X8	2.5/5.05	20.5	
PQ2016-1	PQ2016-1 Vertical	6X6	3.5/4.3	19	
PQ2008-1	PQ20 Vertical	4X2X2	2.8/3.5/4.4	14.2/22.3	
PQ2020	PQ20 Vertical	6X8	2.5/5	20.6	


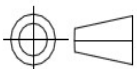
ITEM NO	DESCRIPTION	PIN CIRCUIT	PIN:PIN	ROW:ROW	PHOTO
PQ2020-1	PQ20 Vertical	6X6	3.5/4.3	19	
PQ2020-2	PQ20 Vertical	6X8	2.5/5	20.4	
PQ2020-2k	PQ20 Base	No PIN	/	/	
PQ2010	PQ2010 Vertical	4X2	2.8/3/4	14.2/15.2	
PQ2620-3	PQ2620-3 Vertical	6X6	3.8/7.6	25.5	
PQ2620-V1	PQ2620 Vertical	6X6	4.5	32.5	

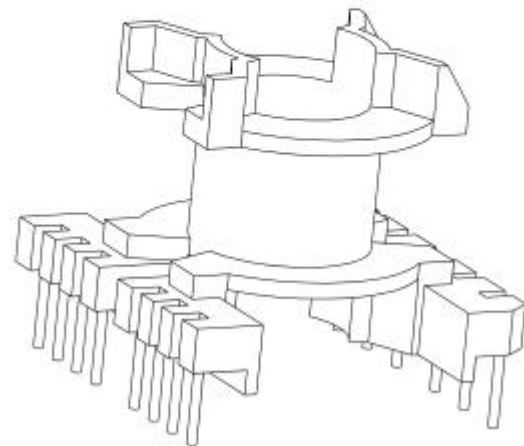
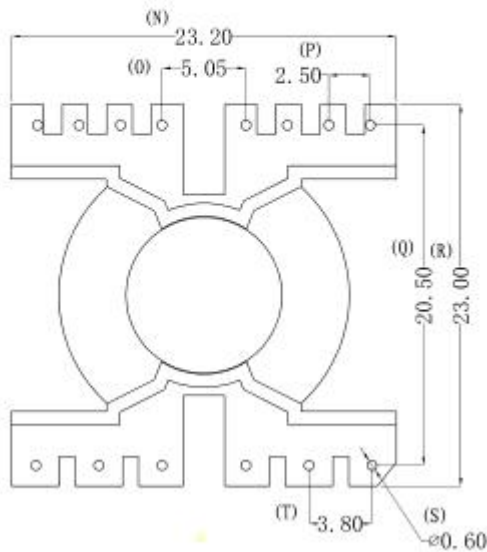
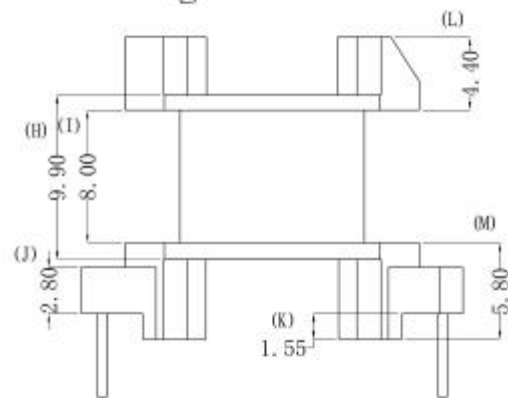
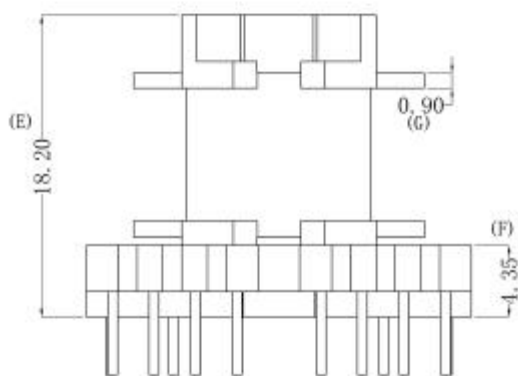
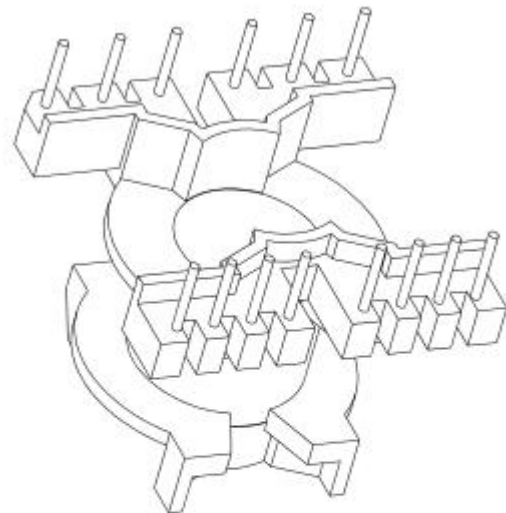
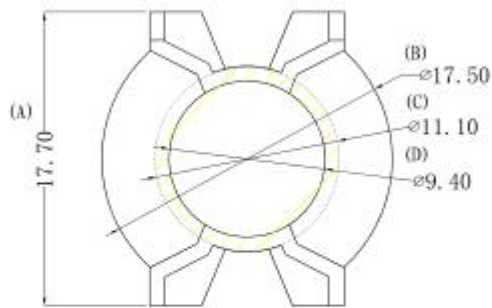
ITEM NO	DESCRIPTION	PIN CIRCUIT	PIN:PIN	ROW:ROW	PHOTO
PQ2615	PQ2615 Vertical	6X5	3.8/7.5	25.4	
PQ2625	PQ2625 Vertical	6X6	3.8/7.5	25.6	
PQ2623	PQ2623 Vertical	6X6	3.8/7.5	25.4	
PQ2624	PQ2624 Horizontal	5X5	5	20.5	
PQ3220	PQ3220 Vertical	6X6	5/7.5	30.5	
PQ3225	PQ3225 Vertical	6X6	5/7.5	30	


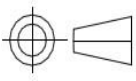
ITEM NO	DESCRIPTION	PIN CIRCUIT	PIN:PIN	ROW:ROW	PHOTO
PQ3225-1	PQ3225 Vertical	6X6	5/7.5	30.7	
PQ3230	PQ3230 Vertical	6X6	5	30	
PQ3230-1	PQ3230 Horizontal	8X8	4/5	30	
PQ3401	PQ34 Vertical	2X0	6	/	
PQ3525	PQ3525 Vertical	6X6	5/9	36.6	
PQ3526	PQ3526 Vertical	6X6	5/10	36.4	

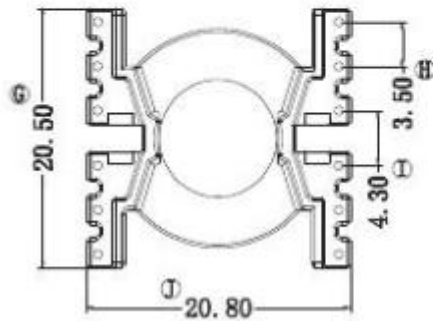
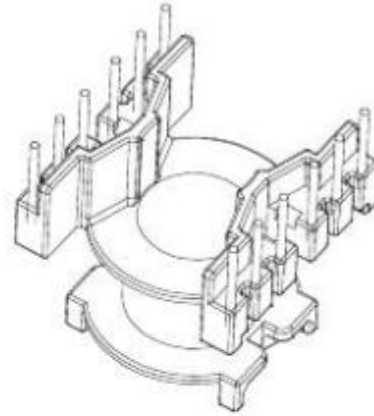
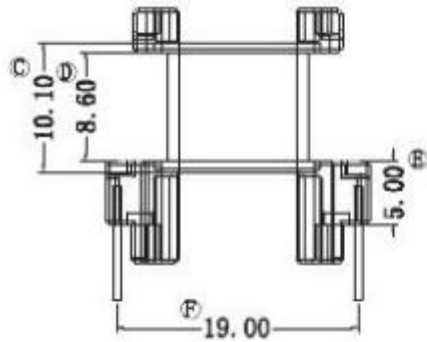
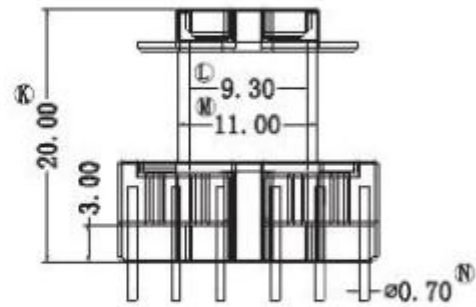
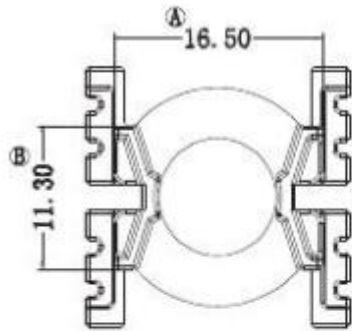
ITEM NO	DESCRIPTION	PIN CIRCUIT	PIN:PIN	ROW:ROW	PHOTO
PQ3530	PQ3530 Vertical	6X6	4.5/9	35.4	
PQ3535	PQ3535 Vertical	6X6	5/10	35.6	
PQ4040	PQ4040 Vertical	6X6	5/15	38	
PQ4003	PQ4025 Vertical	6X6	5.08/15.24	41.6	
PQ5001	PQ5050 Vertical	6X6	7.4/12.3	45.7	
PQ5050	PQ5050 Horizontal	8X8	5	38	


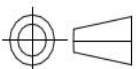


DRAFTED BY	付志良	TOLERANCE		ANGLR: $\pm 1^\circ$	MODEL NAME: PQ-2014V(5+5)PIN	
CHECKED BY	吴志权	0<L≤4 ±0.1 4<L≤16 ±0.2 16<L≤63 ±0.3	Pin pitch ±0.20	UNIT:MM	MATERIAL: PHENOLIC	UL REC: UL 94V-0
 盱眙欧歌电子有限公司 XUYI OUGE ELECTRONIC CO.,LTD. TEL: 0086-760-22286356    FAX:0086-760-22286951 Email: sales@ougedianzi.com				SCALE: 1/1	TERMINAL MAT:CP WIRE	PIN TENSION LOAD: 1.0 KGS MIN
					DATE: 2014.03.28	DRAWING NO:



DRAFTED BY	付志良	TOLERANCE		ANGLR: ±1°	MODEL NAME: PQ-2016V(6+8)PIN	
CHECKED BY	吴志权	0<L≤4 ±0.1 4<L≤16 ±0.2 16<L≤63 ±0.3	Pin pitch ±0.20	UNIT:MM	MATERIAL: PHENOLIC	UL REC: UL 94V-0
 盱眙欧歌电子有限公司 XUYI OUGE ELECTRONIC CO.,LTD. TEL: 0086-760-22286356    FAX:0086-760-22286951 Email: sales@ougedianzi.com				SCALE: 1/1	TERMINAL MAT:CP WIRE	PIN TENSION LOAD: 1.0 KGS MIN
					DATE: 2014.03.28	DRAWING NO:

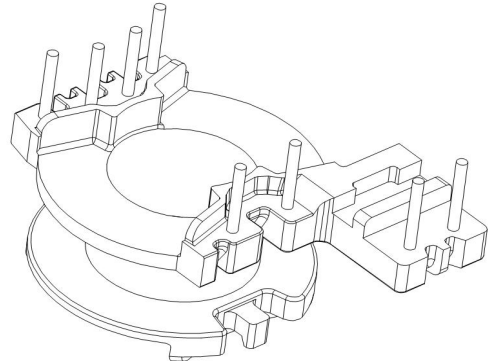
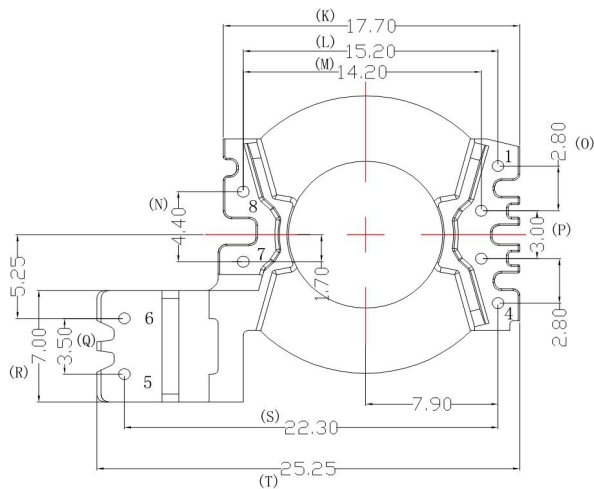
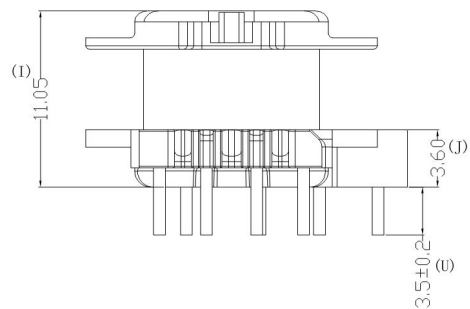
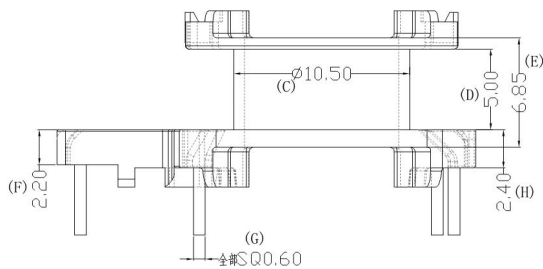
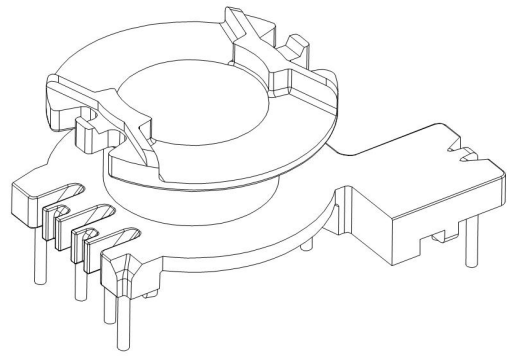
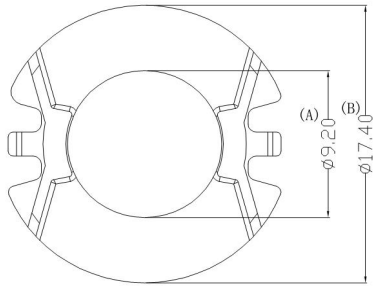



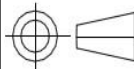
DRAFTED BY	付志良	TOLERANCE		ANGLR: $\pm 1^\circ$	MODEL NAME: PQ-2016-1V(6+6)PIN	
CHECKED BY	吴志权	0<L≤4 ±0.1 4<L≤16 ±0.2 16<L≤63 ±0.3	Pin pitch ±0.20	UNIT:MM	MATERIAL: PHENOLIC	UL REC: UL 94V-0
 盱眙欧歌电子有限公司 XUYI OUGE ELECTRONIC CO.,LTD. TEL: 0086-760-22286356    FAX:0086-760-22286951 Email: sales@ougedianzi.com				SCALE: 1/1	TERMINAL MAT:CP WIRE	PIN TENSION LOAD: 1.0 KGS MIN
					DATE: 2014.03.28	DRAWING NO:

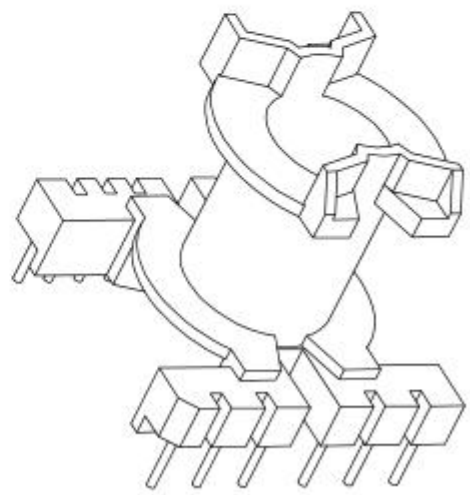
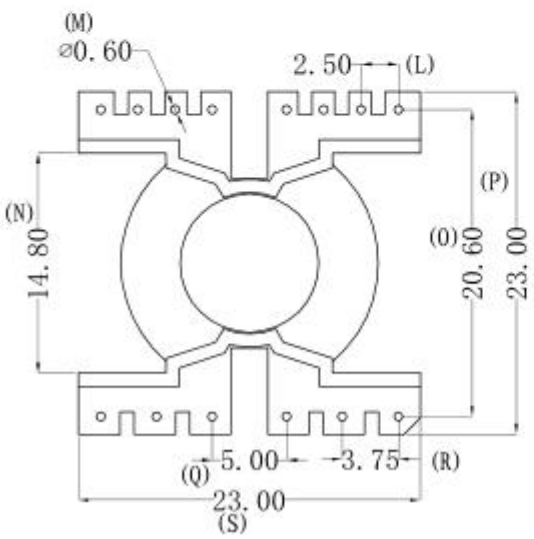
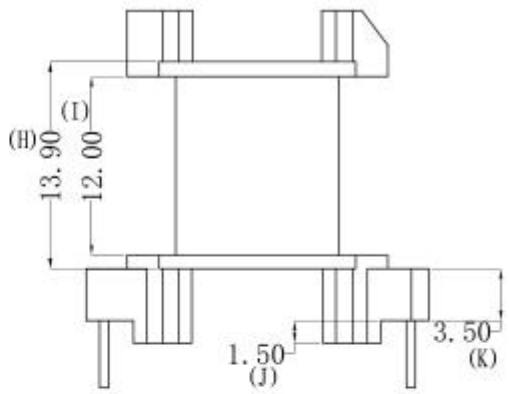
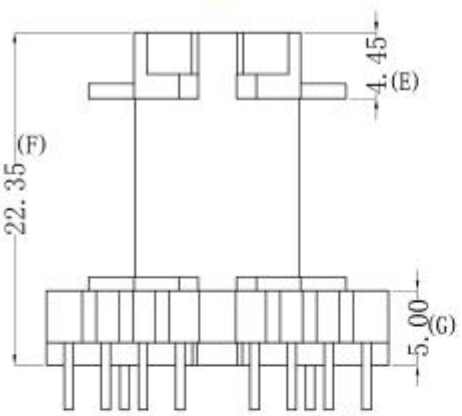
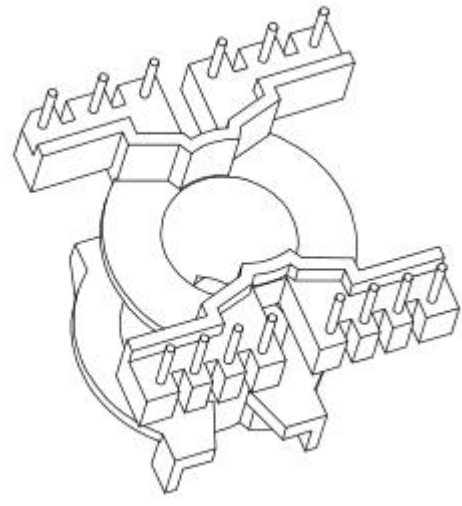
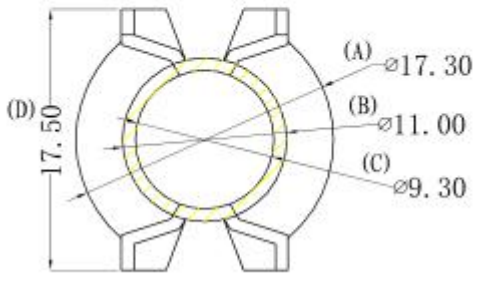


ISSUE	DESCRIPTION	DATE
A	RELEASE FOR QUOTATION	16.10.28

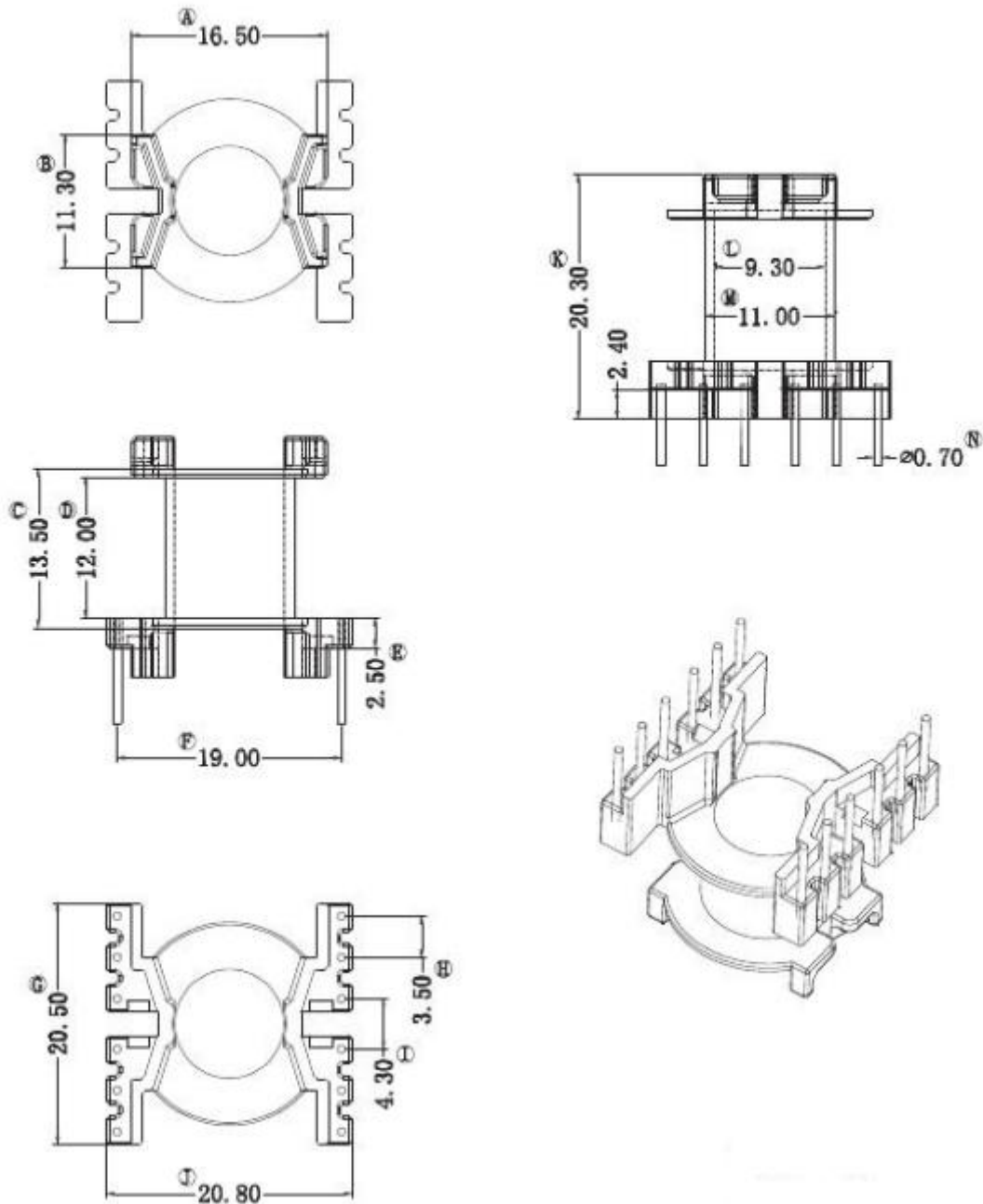
型号 PQ-2008-1


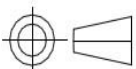


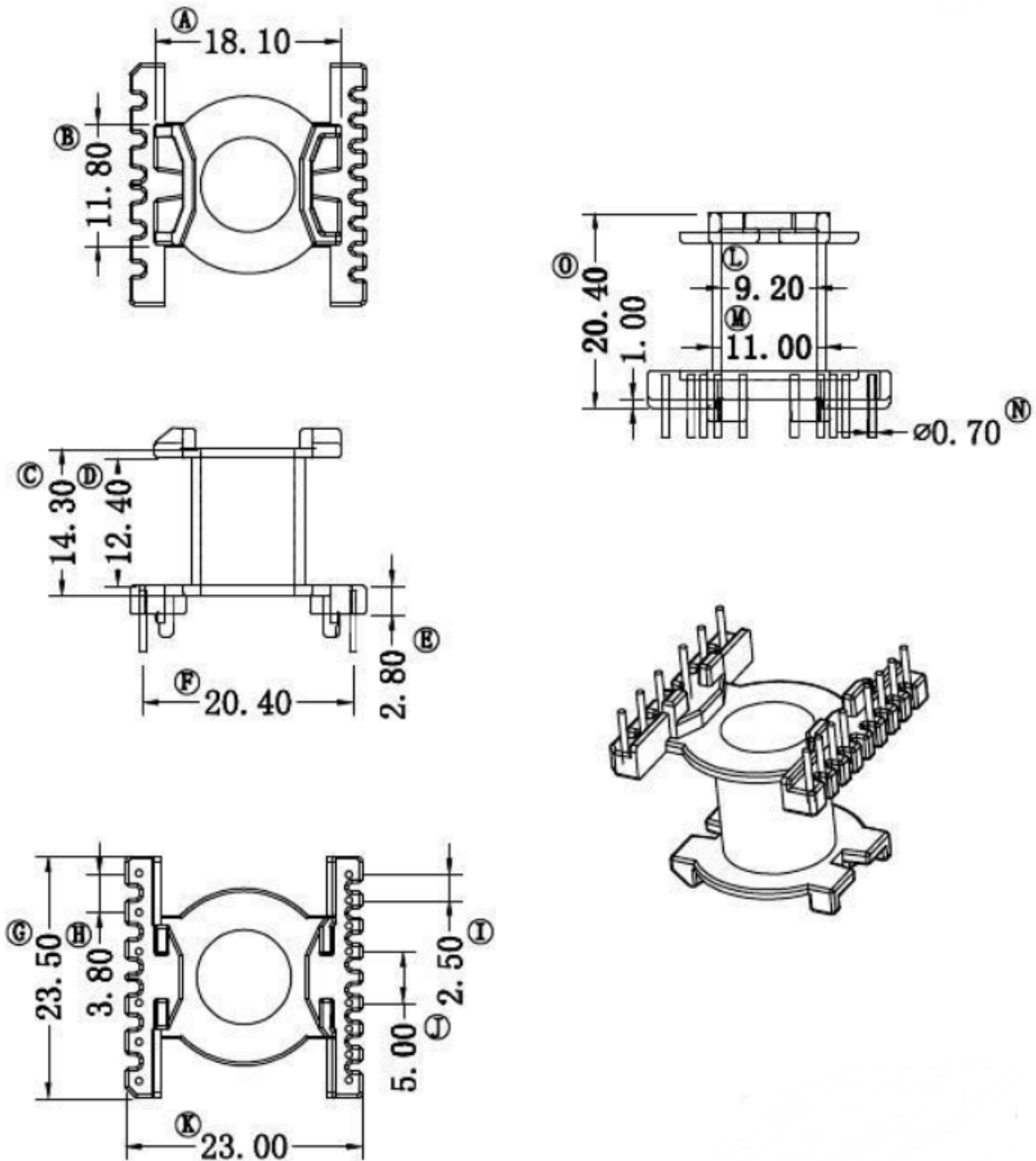
DRAFTED BY	付志良	TOLERANCE		ANGLR: $\pm 1^\circ$	MODEL NAME: PQ-2008-1V(4+2+2)PIN	
CHECKED BY	吴志权	0<L≤4 ±0.1 4<L≤16 ±0.2 16<L≤63 ±0.3	Pin pitch ±0.20	UNIT:MM	MATERIAL: PHENOLIC	UL REC: UL 94V-0
 盱眙欧歌电子有限公司 XUYI OUGE ELECTRONIC CO.,LTD. TEL: 0086-760-22286356 FAX:0086-760-22286951 Email: sales@ougedianzi.com				SCALE: 1/1	TERMINAL MAT:CP WIRE	PIN TENSION LOAD: 1.0 KGS MIN
					DATE: 2019.02	DRAWING NO:


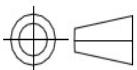


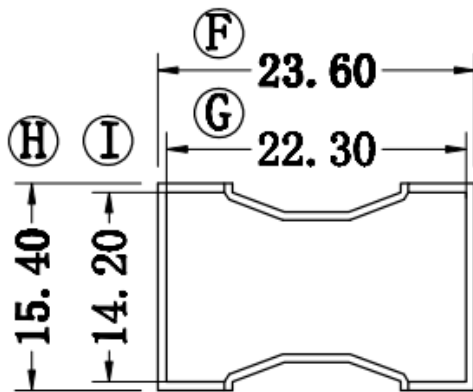
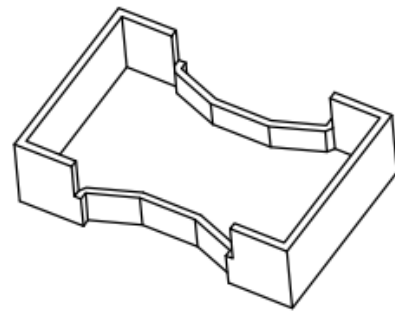
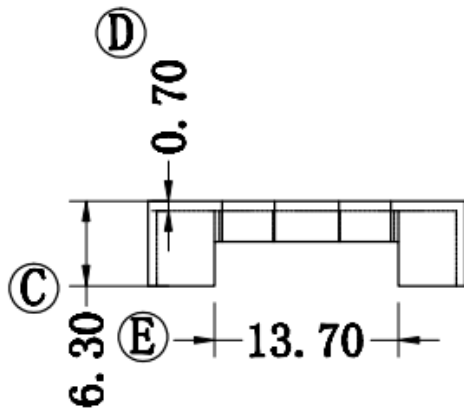
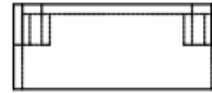
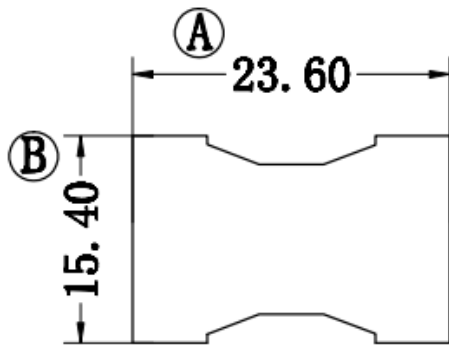
DRAFTED BY	付志良	TOLERANCE		ANGLR: $\pm 1^\circ$	MODEL NAME: PQ-2020V(6+8)PIN	
CHECKED BY	吴志权	0<L≤4 ±0.1 4<L≤16 ±0.2 16<L≤63 ±0.3	Pin pitch ±0.20	UNIT:MM	MATERIAL: PHENOLIC	UL REC: UL 94V-0
<p>盱眙欧歌电子有限公司 XUYI OUGE ELECTRONIC CO.,LTD. TEL: 0086-760-22286356 FAX:0086-760-22286951 Email: sales@ougedianzi.com</p>				SCALE: 1/1	TERMINAL MAT:CP WIRE	PIN TENSION LOAD: 1.0 KGS MIN
					DATE: 2014.03.28	DRAWING NO:



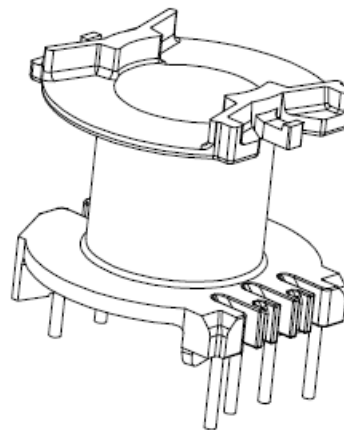
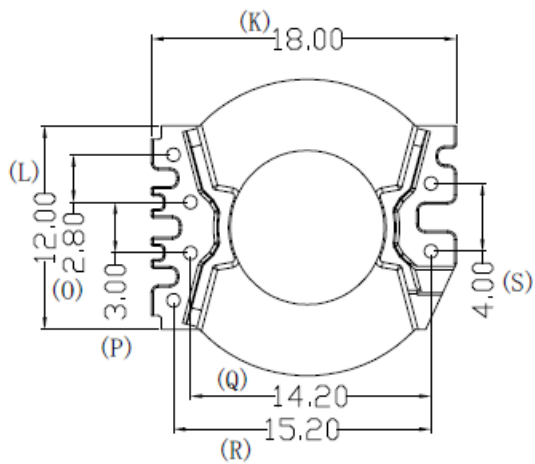
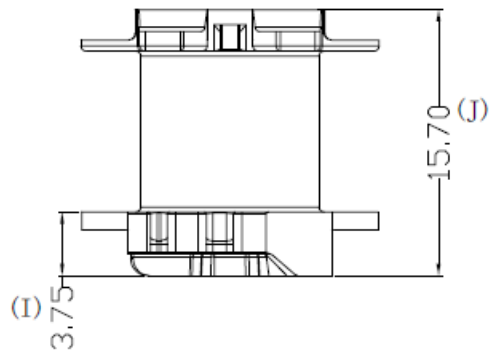
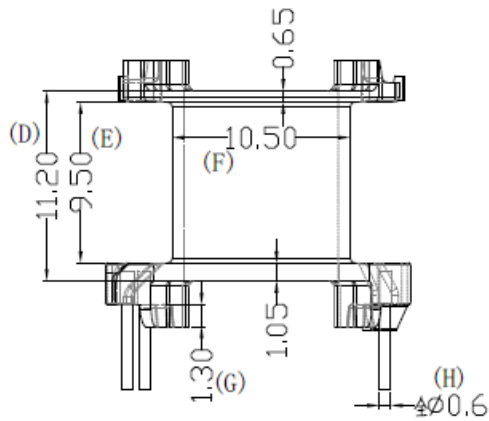
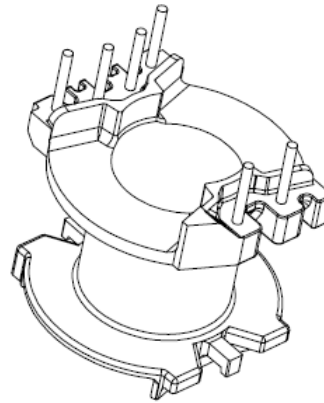
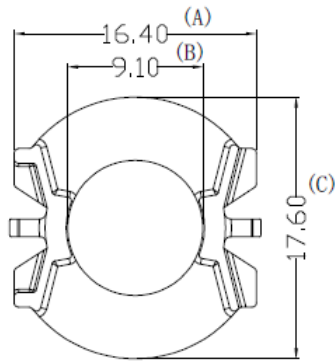
DRAFTED BY	付志良	TOLERANCE		ANGLR: $\pm 1^\circ$	MODEL NAME: PQ-2020-1V(6+6)PIN	
CHECKED BY	吴志权	0<L≤4 ±0.1 4<L≤16 ±0.2 16<L≤63 ±0.3	Pin pitch ±0.20	UNIT:MM	MATERIAL: PHENOLIC	UL REC: UL 94V-0
 盱眙欧歌电子有限公司 XUYI OUGE ELECTRONIC CO.,LTD. TEL: 0086-760-22286356 FAX:0086-760-22286951 Email: sales@ougedianzi.com				SCALE: 1/1	TERMINAL MAT:CP WIRE	PIN TENSION LOAD: 1.0 KGS MIN
					DATE: 2014.03.28	DRAWING NO:


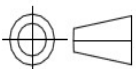


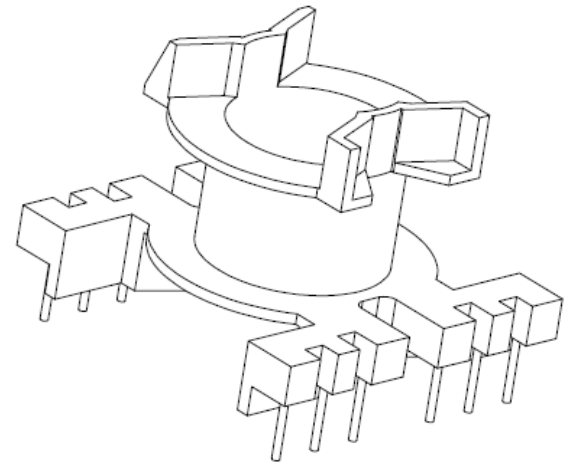
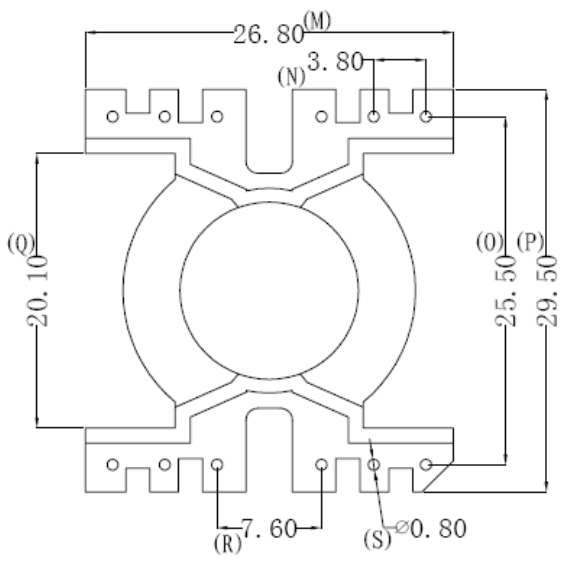
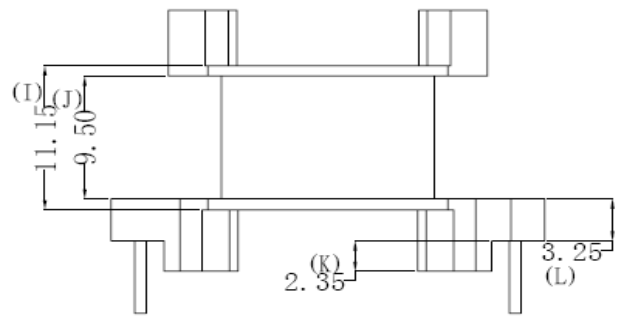
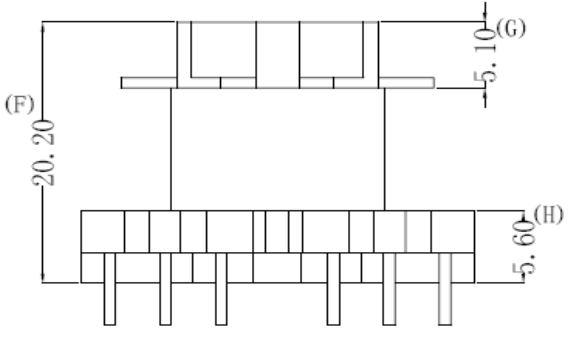
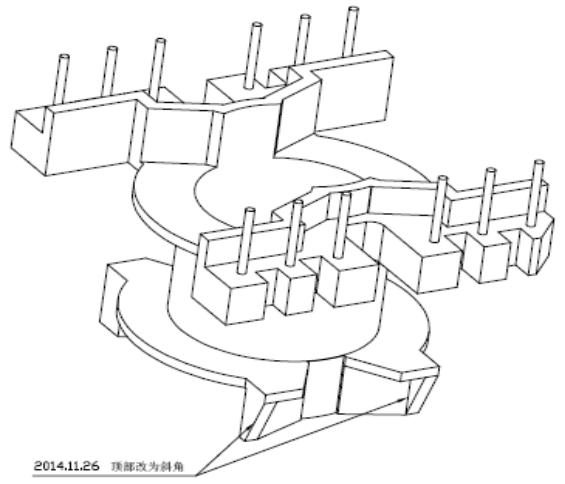
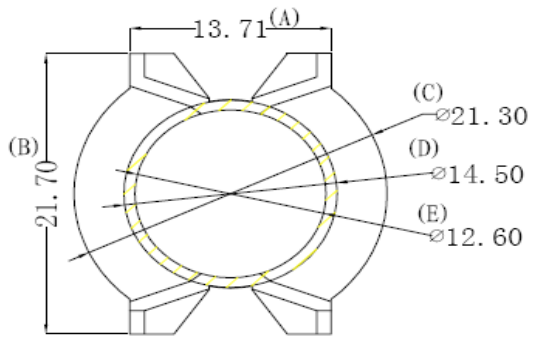
DRAFTED BY	付志良	TOLERANCE		ANGLR: $\pm 1^\circ$	MODEL NAME: PQ-2020-2V(6+8)PIN	
CHECKED BY	吴志权	0<L≤4 ±0.1 4<L≤16 ±0.2 16<L≤63 ±0.3	Pin pitch $\pm 0.20$	UNIT:MM	MATERIAL: PHENOLIC	UL REC: UL 94V-0
 盱眙欧歌电子有限公司 XUYI OUGE ELECTRONIC CO.,LTD. TEL: 0086-760-22286356    FAX:0086-760-22286951 Email: sales@ougedianzi.com				SCALE: 1/1	TERMINAL MAT:CP WIRE	PIN TENSION LOAD: 1.0 KGS MIN
					DATE: 2014.03.28	DRAWING NO:


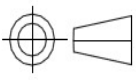


DRAFTED BY	付志良	TOLERANCE		ANGLR: ±1°	MODEL NAME: PQ2020-2k	
CHECKED BY	吴志权	0<L≤4 ±0.1 4<L≤16 ±0.2 16<L≤63 ±0.3	Pin pitch ±0.20	UNIT:MM	MATERIAL: PBT	UL REC: UL 94V-0
 盱眙欧歌电子有限公司 XUYI OUGE ELECTRONIC CO.,LTD. TEL: 0086-760-22286356    FAX:0086-760-22286951 Email: sales@ougedianzi.com				SCALE: 1/1	TERMINAL MAT:CP WIRE	PIN TENSION LOAD: 1.0 KGS MIN
					DATE: 2018.05	DRAWING NO:

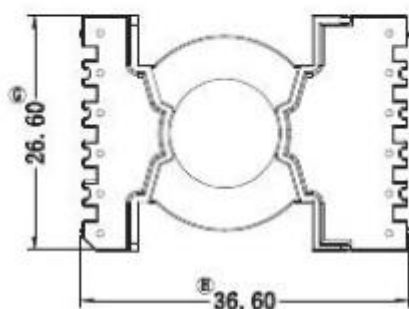
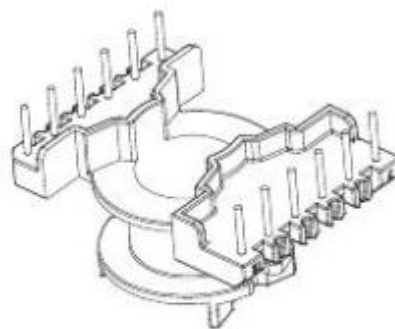
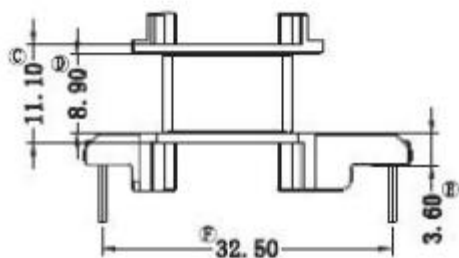
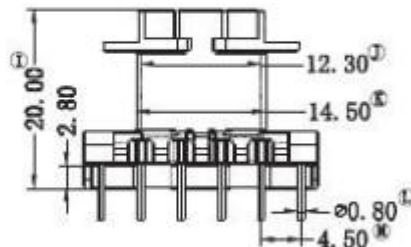
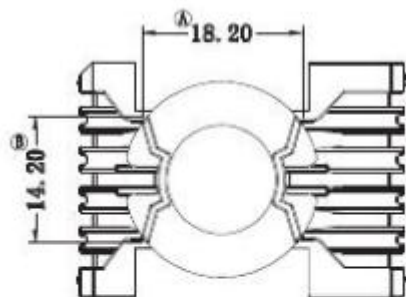



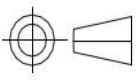
DRAFTED BY	付志良	TOLERANCE		ANGLR: $\pm 1^\circ$	MODEL NAME: PQ-2010V(4+2)PIN	
CHECKED BY	吴志权	0<L≤4 ±0.1 4<L≤16 ±0.2 16<L≤63 ±0.3	Pin pitch ±0.20	UNIT:MM	MATERIAL: PHENOLIC	UL REC: UL 94V-0
 盱眙欧歌电子有限公司 XUYI OUGE ELECTRONIC CO.,LTD. TEL: 0086-760-22286356    FAX:0086-760-22286951 Email: sales@ougedianzi.com				SCALE: 1/1	TERMINAL MAT:CP WIRE	PIN TENSION LOAD: 1.0 KGS MIN
					DATE: 2014.03.28	DRAWING NO:



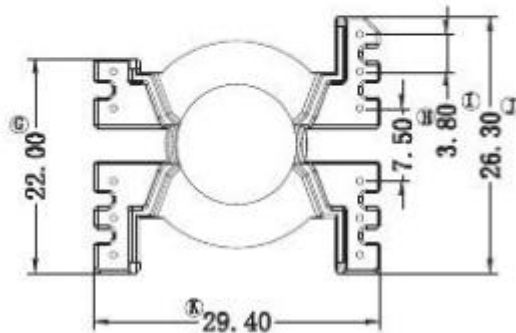
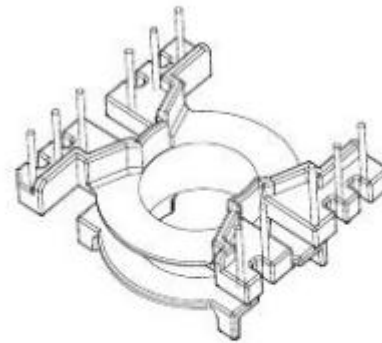
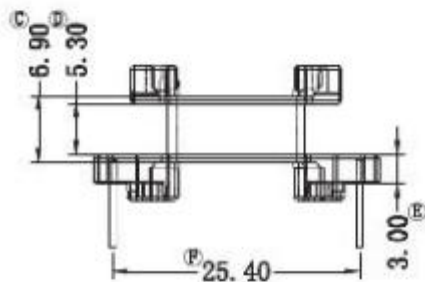
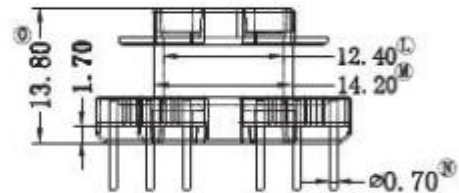
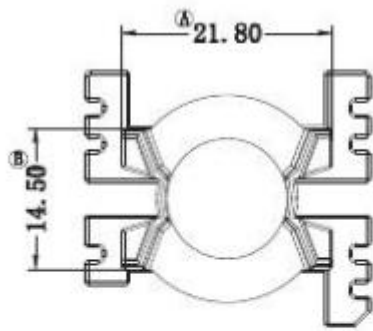
DRAFTED BY	付志良	TOLERANCE		ANGLR: $\pm 1^\circ$	MODEL NAME: PQ-2620-3V(6+6)PIN	
CHECKED BY	吴志权	0<L≤4 ±0.1 4<L≤16 ±0.2 16<L≤63 ±0.3	Pin pitch ±0.20	UNIT:MM	MATERIAL: PHENOLIC	UL REC: UL 94V-0
 盱眙欧歌电子有限公司 XUYI OUGE ELECTRONIC CO.,LTD. TEL: 0086-760-22286356    FAX:0086-760-22286951 Email: sales@ougedianzi.com				SCALE: 1/1	TERMINAL MAT:CP WIRE	PIN TENSION LOAD: 1.0 KGS MIN
					DATE: 2014.03.28	DRAWING NO:


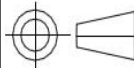


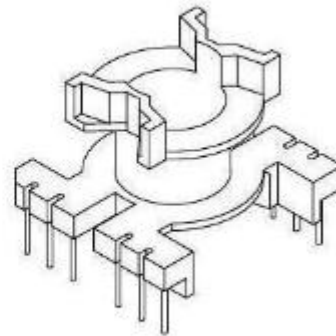
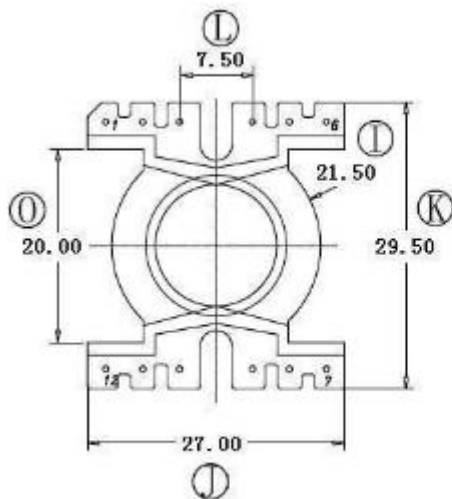
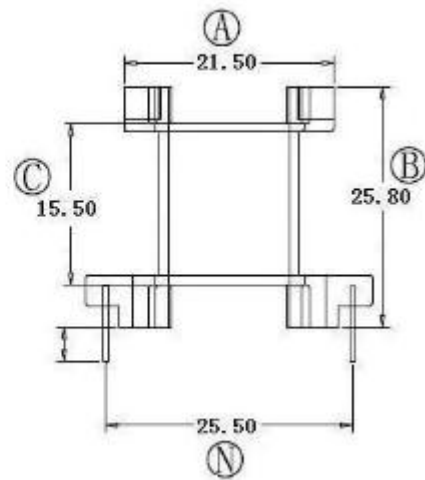
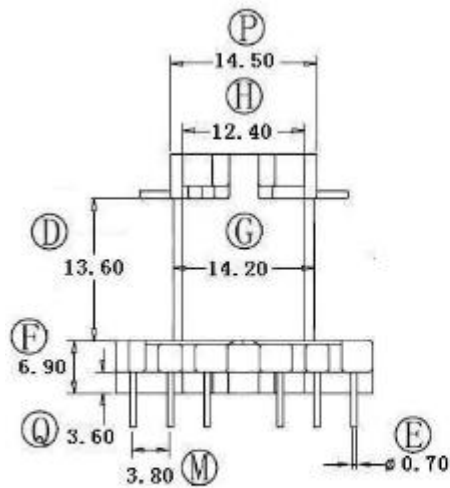



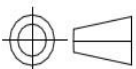
DRAFTED BY	付志良	TOLERANCE		ANGLR: ±1°	MODEL NAME: PQ-2620-V1 V(6+6)PIN	
CHECKED BY	吴志权	0<L≤4 ±0.1 4<L≤16 ±0.2 16<L≤63 ±0.3	Pin pitch ±0.20	UNIT:MM	MATERIAL: PHENOLIC	UL REC: UL 94V-0
 盱眙欧歌电子有限公司 XUYI OUGE ELECTRONIC CO.,LTD. TEL: 0086-760-22286356    FAX:0086-760-22286951 Email: sales@ougedianzi.com				SCALE: 1/1	TERMINAL MAT:CP WIRE	PIN TENSION LOAD: 1.0 KGS MIN
					DATE: 2014.03.28	DRAWING NO:

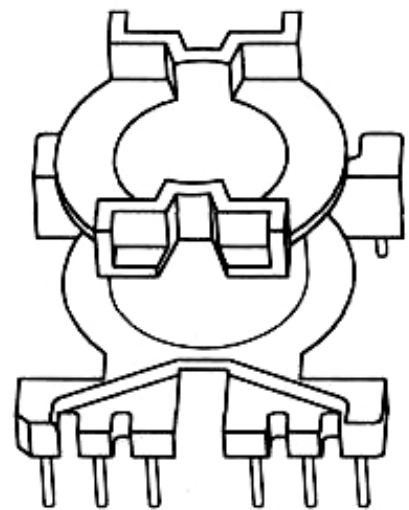
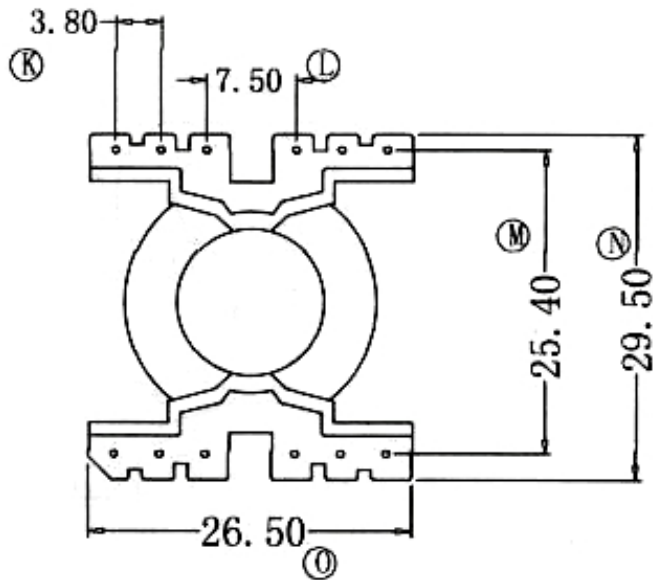
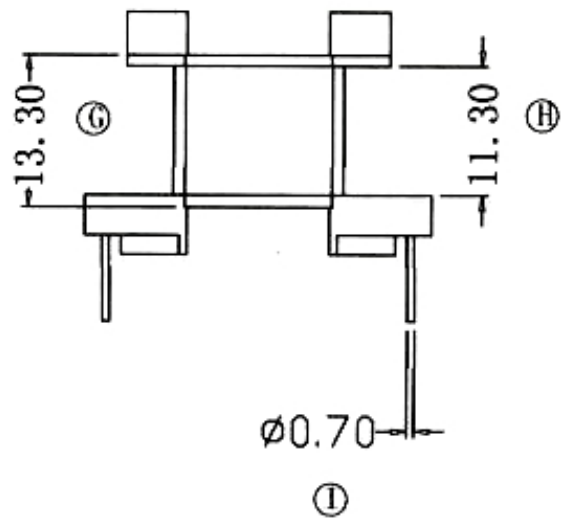
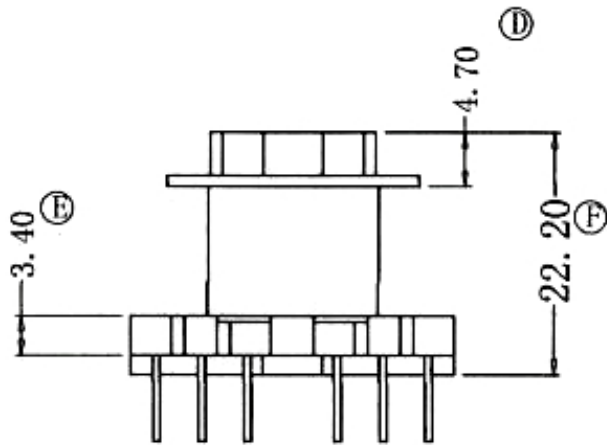



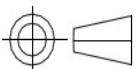


DRAFTED BY	付志良	TOLERANCE		ANGLR: $\pm 1^\circ$	MODEL NAME: PQ-2615V(5+6)PIN	
CHECKED BY	吴志权	0<L≤4 ±0.1 4<L≤16 ±0.2 16<L≤63 ±0.3	Pin pitch ±0.20	UNIT:MM	MATERIAL: PHENOLIC	UL REC: UL 94V-0
 盱眙欧歌电子有限公司 XUYI OUGE ELECTRONIC CO.,LTD. TEL: 0086-760-22286356    FAX:0086-760-22286951 Email: sales@ougedianzi.com				SCALE: 1/1	TERMINAL MAT:CP WIRE	PIN TENSION LOAD: 1.0 KGS MIN
					DATE: 2014.03.28	DRAWING NO:



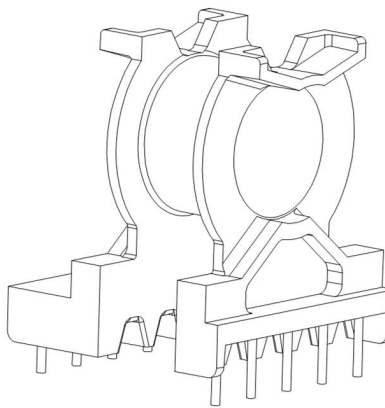
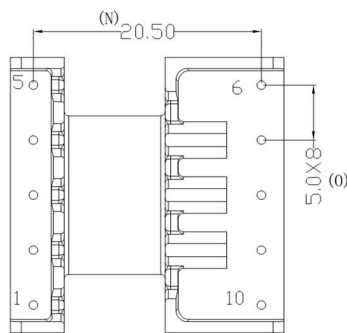
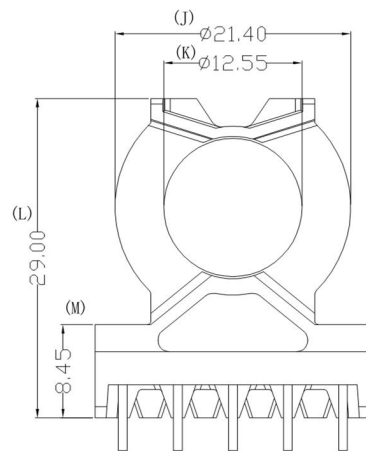
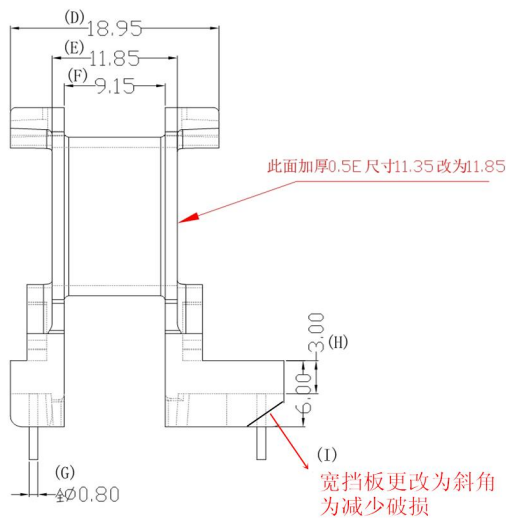
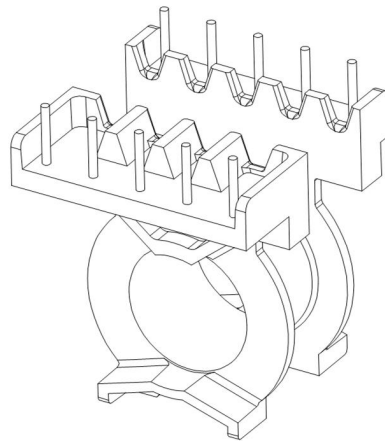
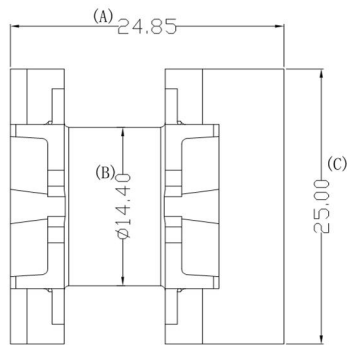
DRAFTED BY	付志良	TOLERANCE		ANGLR: $\pm 1^\circ$	MODEL NAME: PQ-2625V(6+6)PIN	
CHECKED BY	吴志权	0 < L ≤ 4 ± 0.1 4 < L ≤ 16 ± 0.2 16 < L ≤ 63 ± 0.3	Pin pitch ± 0.20	UNIT:MM	MATERIAL: PHENOLIC	UL REC: UL 94V-0
 盱眙欧歌电子有限公司 XUYI OUGE ELECTRONIC CO.,LTD. TEL: 0086-760-22286356 FAX:0086-760-22286951 Email: sales@ougedianzi.com				SCALE: 1/1	TERMINAL MAT:CP WIRE	PIN TENSION LOAD: 1.0 KGS MIN
					DATE: 2014.03.28	DRAWING NO:


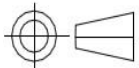


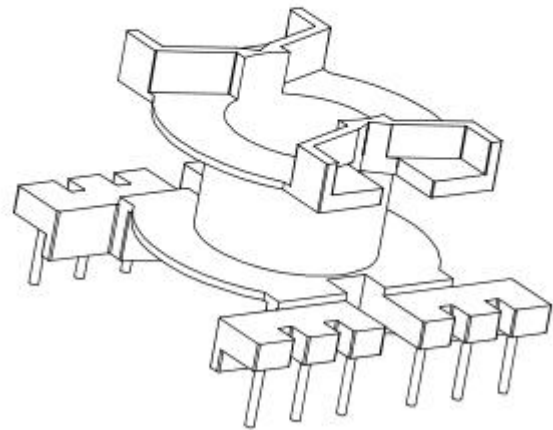
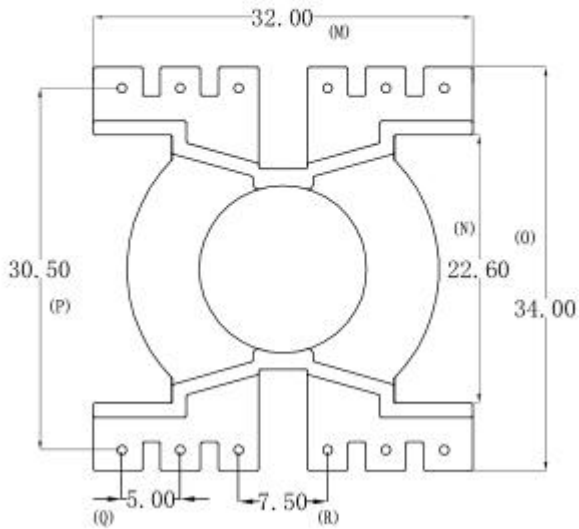
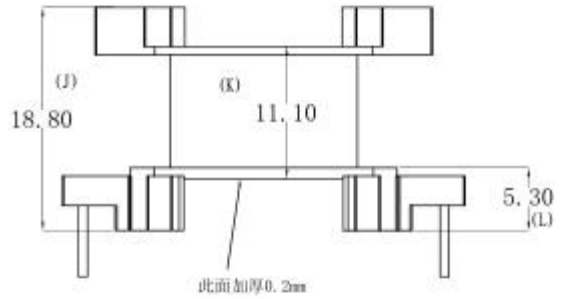
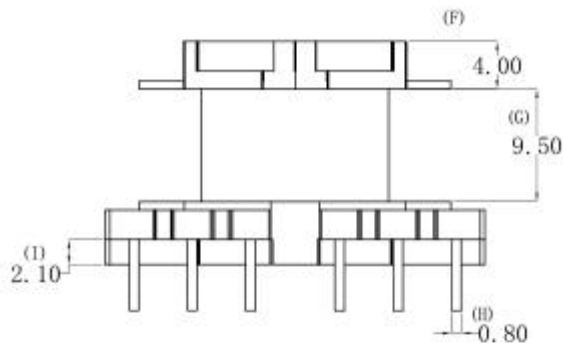
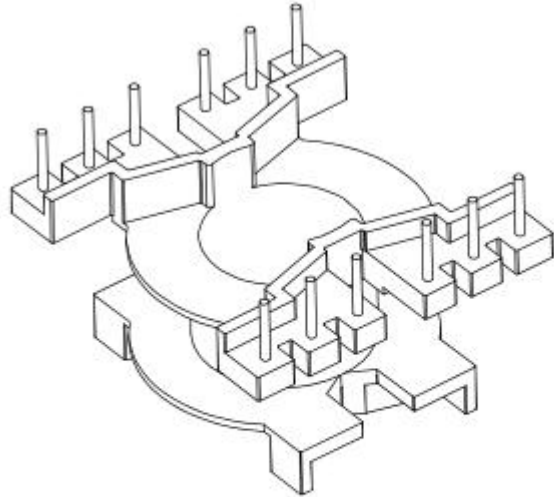
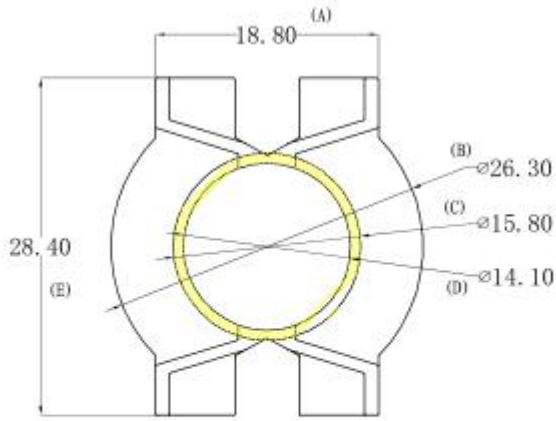
DRAFTED BY	付志良	TOLERANCE		ANGLR: $\pm 1^\circ$	MODEL NAME: PQ-2623V(6+6)PIN	
CHECKED BY	吴志权	0 < L ≤ 4 ± 0.1 4 < L ≤ 16 ± 0.2 16 < L ≤ 63 ± 0.3	Pin pitch ± 0.20	UNIT:MM	MATERIAL: PHENOLIC	UL REC: UL 94V-0
 盱眙欧歌电子有限公司 XUYI OUGE ELECTRONIC CO.,LTD. TEL: 0086-760-22286356    FAX:0086-760-22286951 Email: sales@ougedianzi.com				SCALE: 1/1	TERMINAL MAT:CP WIRE	PIN TENSION LOAD: 1.0 KGS MIN
					DATE: 2014.03.28	DRAWING NO:

ISSUE	DESCRIPTION	DATE
A	RELEASE FOR QUOTATION	16.12.15
A-1	宽PIN座边的壁厚加厚0.5E尺寸11.35改为11.85	18.08.31

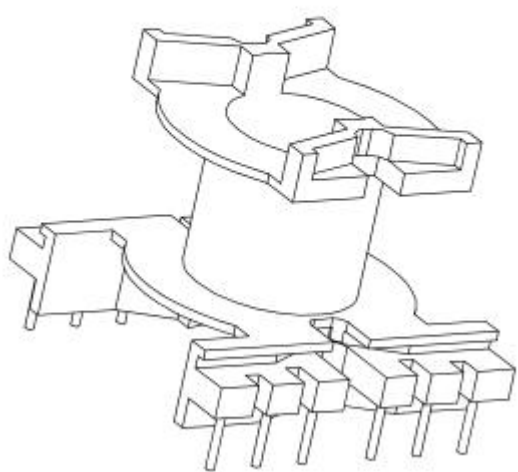
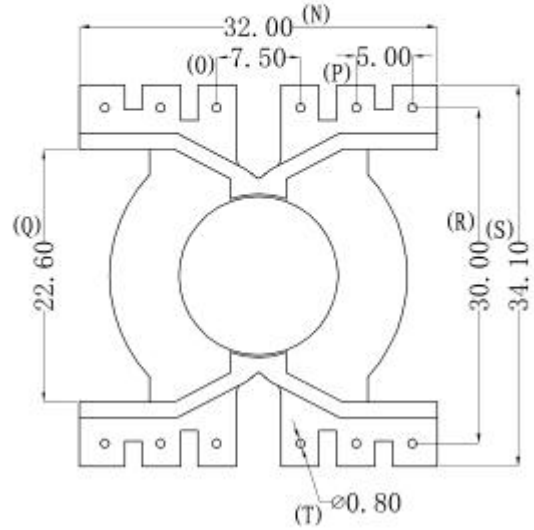
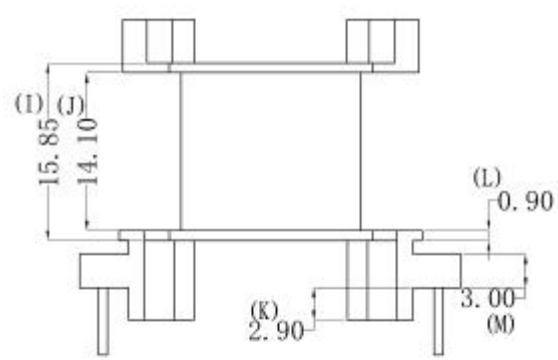
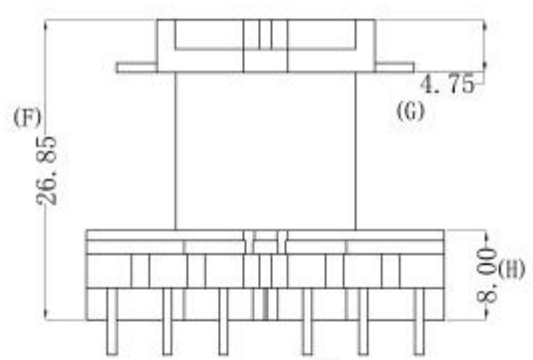
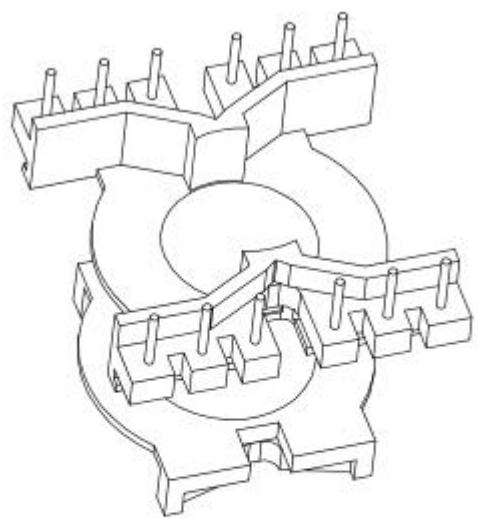
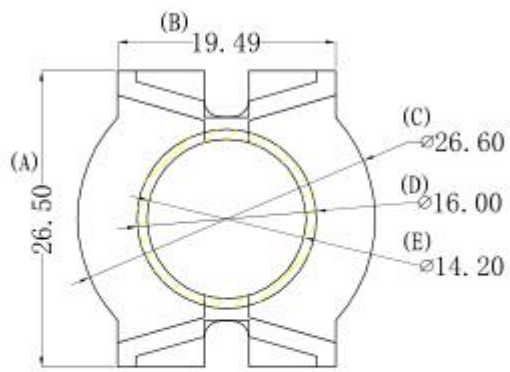
Item	PQ-2624
------	---------


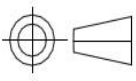


DRAFTED BY	付志良	TOLERANCE		ANGLR:	MODEL NAME:		
				$\pm 1^\circ$	PQ-2624 H(5+5)PIN		
CHECKED BY	吴志权	0 < L ≤ 4 ± 0.1	Pin pitch ± 0.20	UNIT:MM	MATERIAL:	UL REC:	
		4 < L ≤ 16 ± 0.2			PHENOLIC	UL 94V-0	
		16 < L ≤ 63 ± 0.3		SCALE:	TERMINAL MAT:CP WIRE	PIN TENSION LOAD:	
				1/1		1.0 KGS MIN	
 盱眙欧歌电子有限公司 XUYI OUGE ELECTRONIC CO.,LTD. TEL: 0086-760-22286356 FAX:0086-760-22286951 Email: sales@ougedianzi.com					DATE:	DRAWING NO:	REV. A
					2019.08.31		

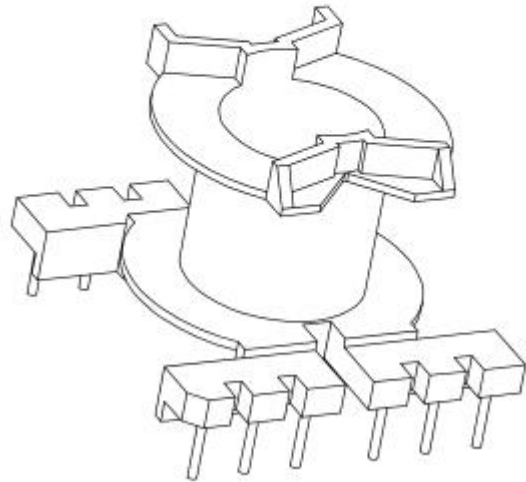
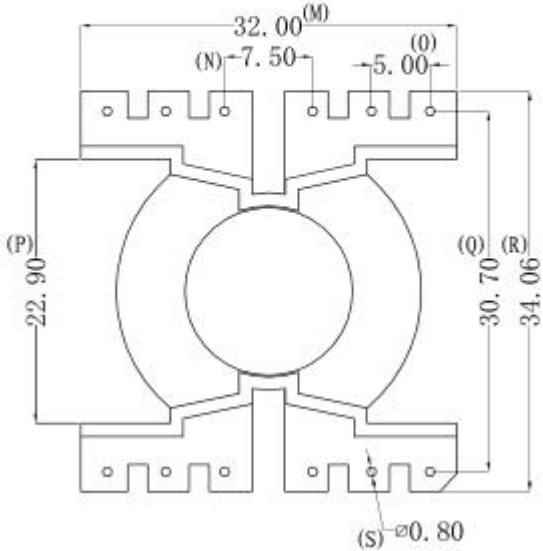
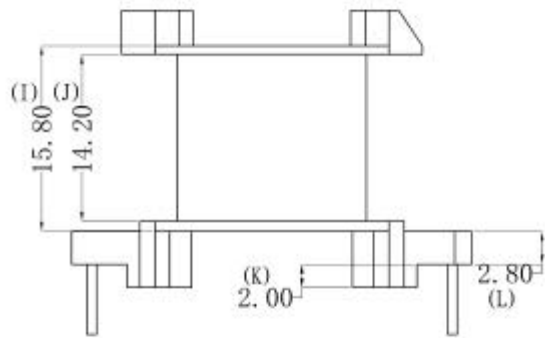
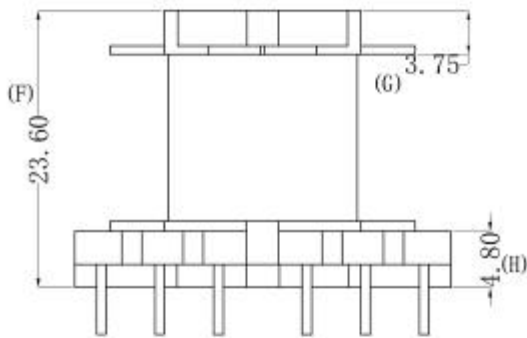
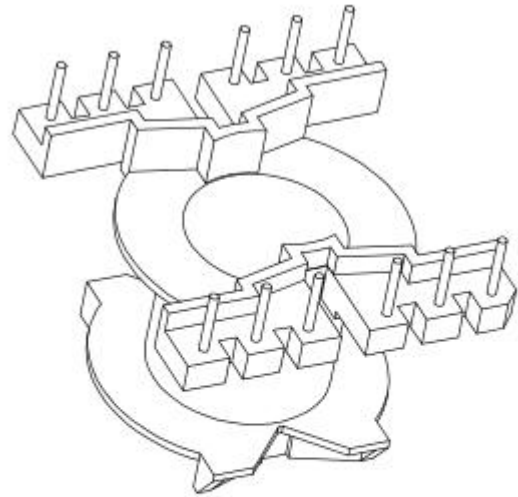
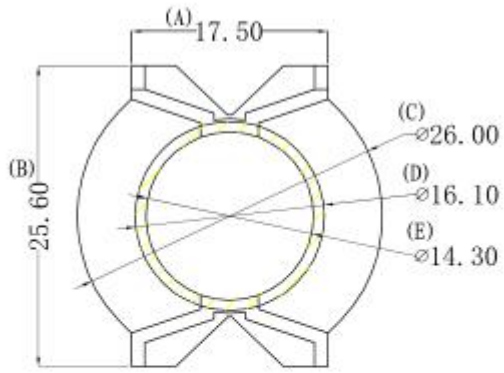



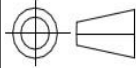
DRAFTED BY	付志良	TOLERANCE		ANGLR: ±1°	MODEL NAME: PQ-3220V(6+6)PIN	
CHECKED BY	吴志权	0<L≤4 ±0.1 4<L≤16 ±0.2 16<L≤63 ±0.3	Pin pitch ±0.20	UNIT:MM	MATERIAL: PHENOLIC	UL REC: UL 94V-0
 盱眙欧歌电子有限公司 XUYI OUGE ELECTRONIC CO.,LTD. TEL: 0086-760-22286356    FAX:0086-760-22286951 Email: sales@ougedianzi.com				SCALE: 1/1	TERMINAL MAT:CP WIRE	PIN TENSION LOAD: 1.0 KGS MIN
					DATE: 2014.03.28	DRAWING NO:

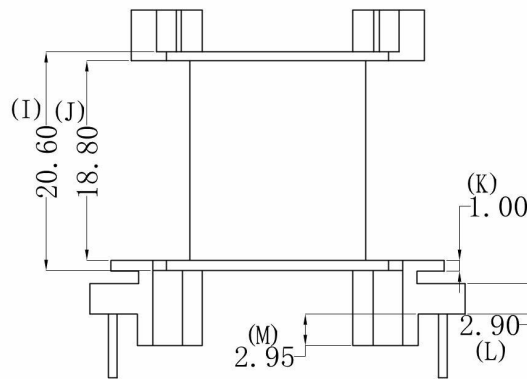
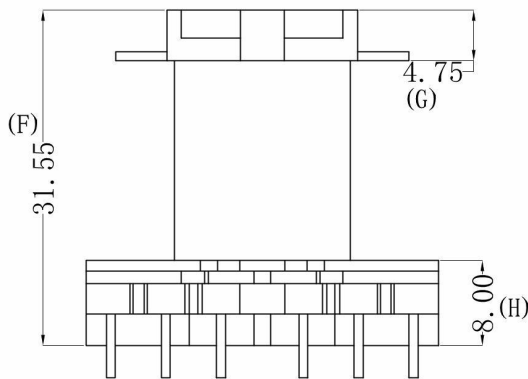
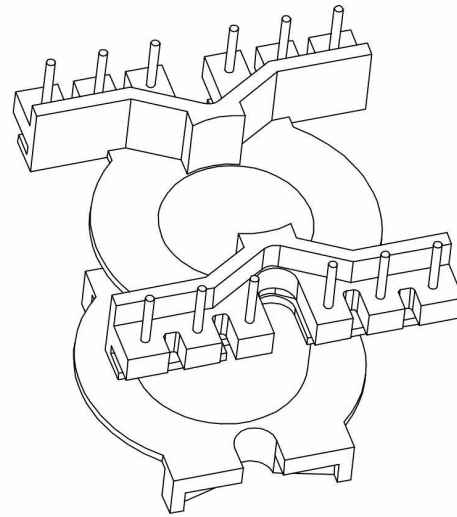
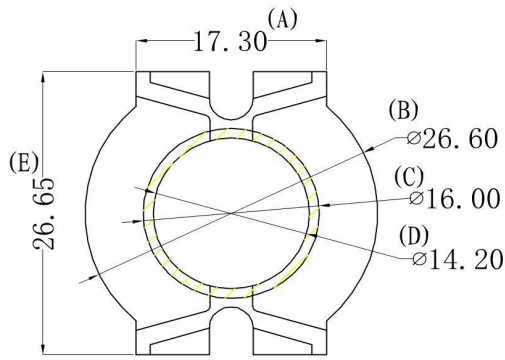


DRAFTED BY	付志良	TOLERANCE		ANGLR: $\pm 1^\circ$	MODEL NAME: PQ-3225V(6+6)PIN	
CHECKED BY	吴志权	0 <math><L \le 4</math> $\pm 0.1$ 4 <math><L \le 16</math> $\pm 0.2$ 16 <math><L \le 63</math> $\pm 0.3$	Pin pitch $\pm 0.20$	UNIT:MM	MATERIAL: PHENOLIC	UL REC: UL 94V-0
 盱眙欧歌电子有限公司 XUYI OUGE ELECTRONIC CO.,LTD. TEL: 0086-760-22286356    FAX:0086-760-22286951 Email: sales@ougedianzi.com				SCALE: 1/1	TERMINAL MAT:CP WIRE	PIN TENSION LOAD: 1.0 KGS MIN
					DATE: 2014.03.28	DRAWING NO:

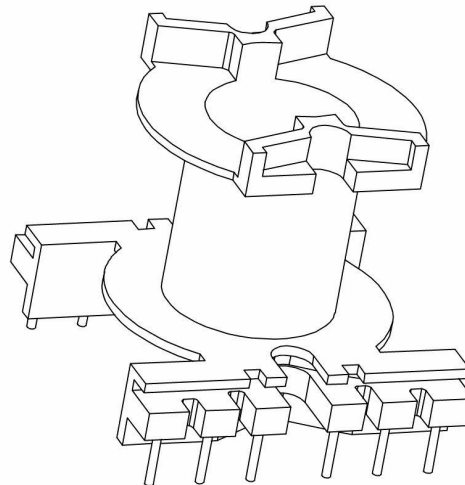
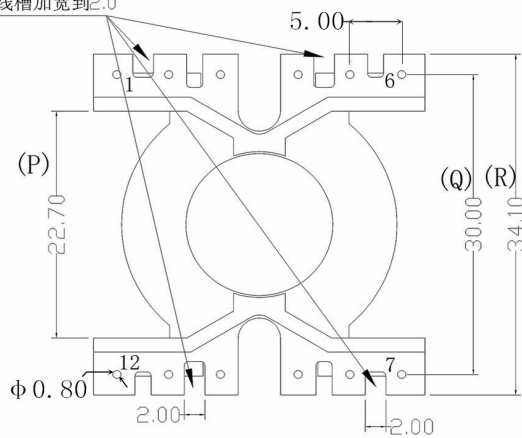



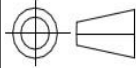


DRAFTED BY	付志良	TOLERANCE		ANGLR: $\pm 1^\circ$	MODEL NAME: PQ-3225-1V(6+6)PIN	
CHECKED BY	吴志权	0<L≤4 ±0.1 4<L≤16 ±0.2 16<L≤63 ±0.3	Pin pitch ±0.20	UNIT:MM	MATERIAL: PHENOLIC	UL REC: UL 94V-0
 盱眙欧歌电子有限公司 XUYI OUGE ELECTRONIC CO.,LTD. TEL: 0086-760-22286356    FAX:0086-760-22286951 Email: sales@ougedianzi.com				SCALE: 1/1	TERMINAL MAT:CP WIRE	PIN TENSION LOAD: 1.0 KGS MIN
					DATE: 2014.03.28	DRAWING NO:

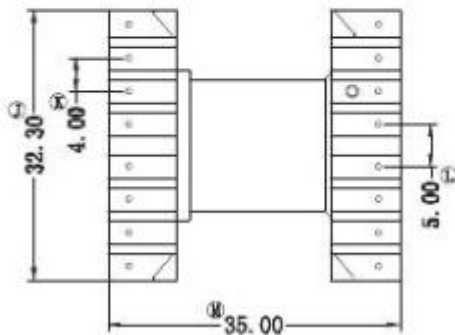
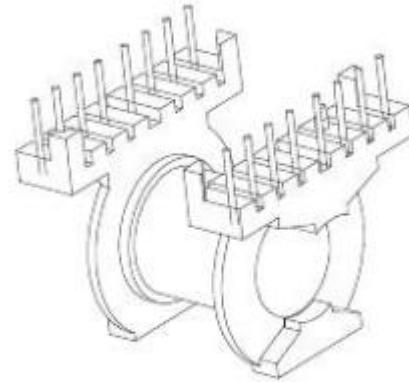
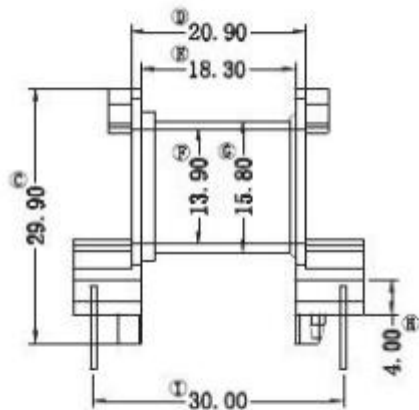
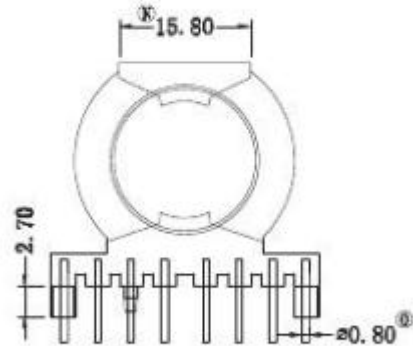
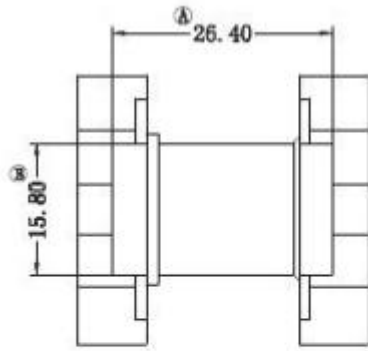



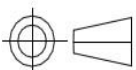
A-1 这4个过线槽加宽到2.0



DRAFTED BY	付志良	TOLERANCE		ANGLR: $\pm 1^\circ$	MODEL NAME: PQ-3230V(6+6)PIN	
CHECKED BY	吴志权	0<L≤4 ±0.1 4<L≤16 ±0.2 16<L≤63 ±0.3	Pin pitch ±0.20	UNIT:MM	MATERIAL: PHENOLIC	UL REC: UL 94V-0
 盱眙欧歌电子有限公司 XUYI OUGE ELECTRONIC CO.,LTD. TEL: 0086-760-22286356    FAX:0086-760-22286951 Email: sales@ougedianzi.com				SCALE: 1/1	TERMINAL MAT:CP WIRE	PIN TENSION LOAD: 1.0 KGS MIN
					DATE: 2018.11.30	DRAWING NO:

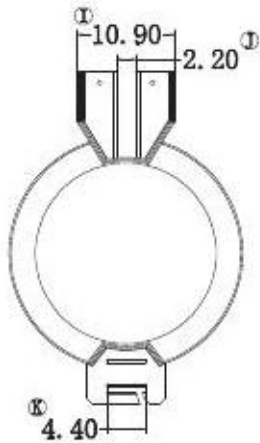
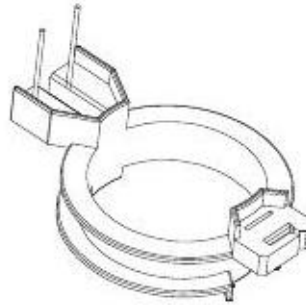
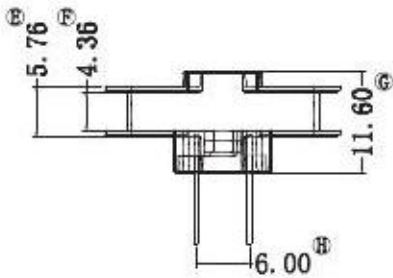
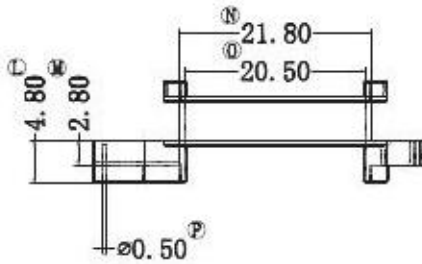
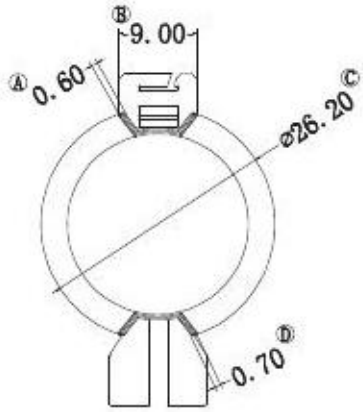



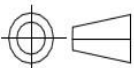


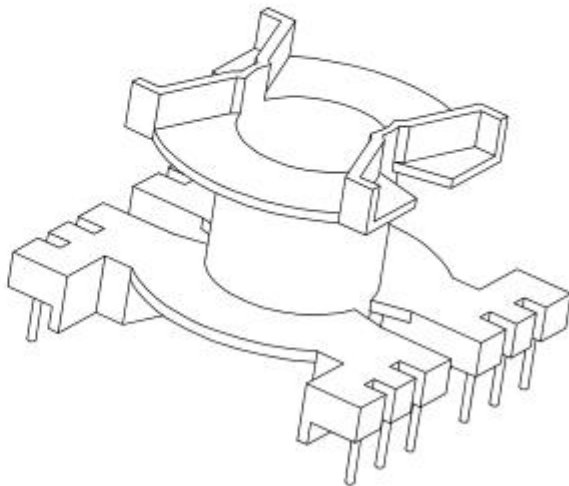
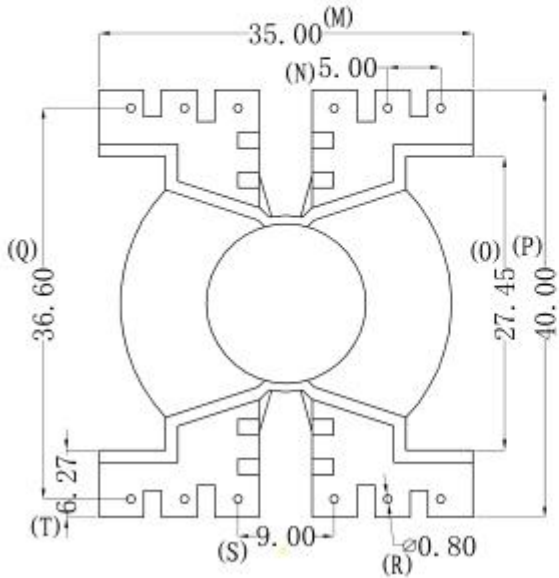
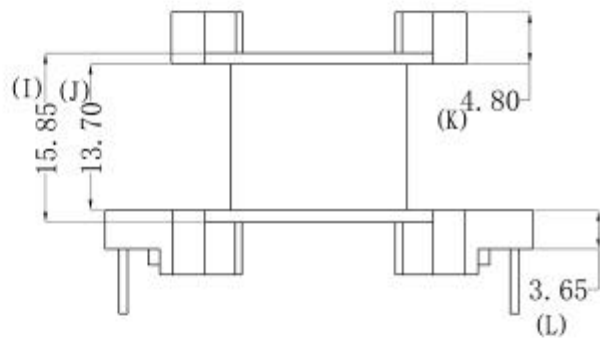
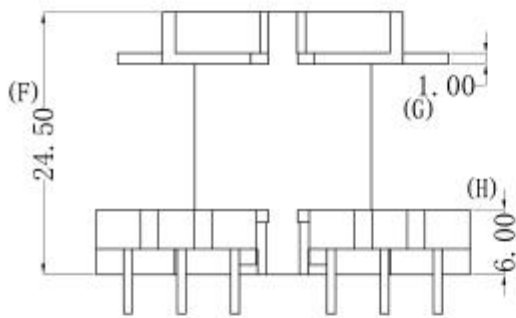
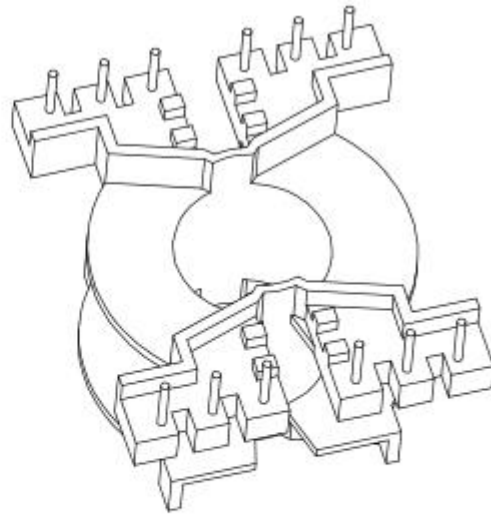
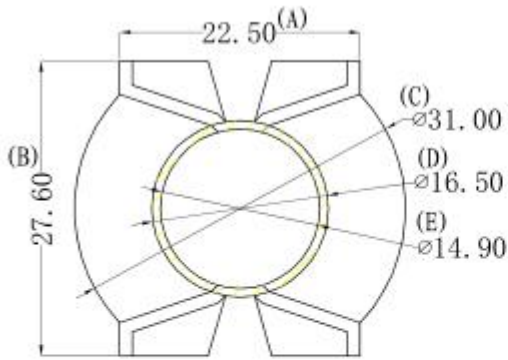
DRAFTED BY	付志良	TOLERANCE		ANGLR: ±1°	MODEL NAME: PQ-3230-1H(8+8)PIN	
CHECKED BY	吴志权	0<L≤4 ±0.1 4<L≤16 ±0.2 16<L≤63 ±0.3	Pin pitch ±0.20	UNIT:MM	MATERIAL: PHENOLIC	UL REC: UL 94V-0
 盱眙欧歌电子有限公司 XUYI OUGE ELECTRONIC CO.,LTD. TEL: 0086-760-22286356    FAX:0086-760-22286951 Email: sales@ougedianzi.com				SCALE: 1/1	TERMINAL MAT:CP WIRE	PIN TENSION LOAD: 1.0 KGS MIN
					DATE: 2014.03.28	DRAWING NO:


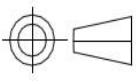
Item

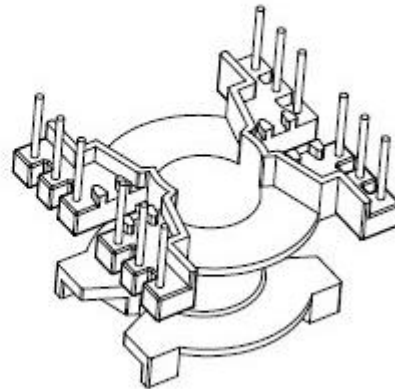
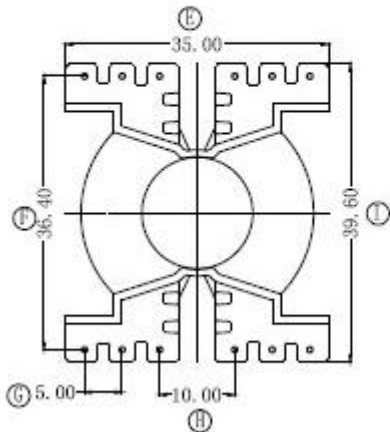
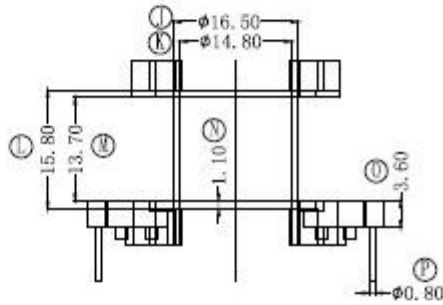
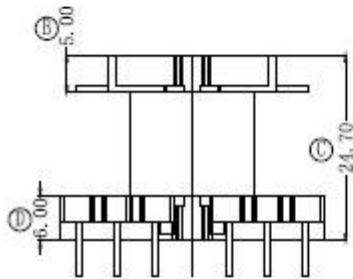
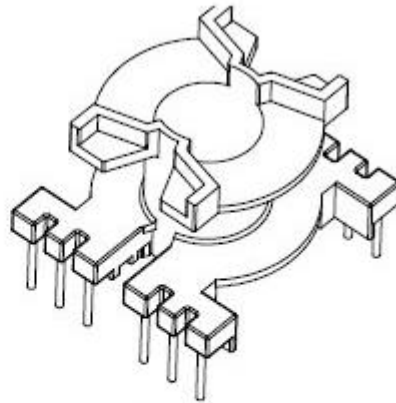
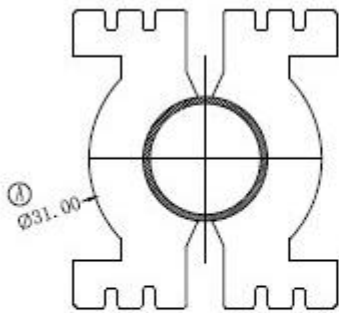
PQ3401



DRAFTED BY	付志良	TOLERANCE		ANGLR: ±1°	MODEL NAME: PQ34 V (2+0)PIN	
CHECKED BY	吴志权	0<L≤4 ±0.1 4<L≤16 ±0.2 16<L≤63 ±0.3	Pin pitch ±0.20	UNIT:MM	MATERIAL: PHENOLIC	UL REC: UL 94V-0
 盱眙欧歌电子有限公司 XUYI OUGE ELECTRONIC CO.,LTD. TEL: 0086-760-22286356 FAX:0086-760-22286951 Email: sales@ougedianzi.com				SCALE: 1/1	TERMINAL MAT:CP WIRE	PIN TENSION LOAD: 1.0 KGS MIN
					DATE: 2018.05	DRAWING NO:



DRAFTED BY	付志良	TOLERANCE		ANGLR: $\pm 1^\circ$	MODEL NAME: PQ-3525V(6+6)PIN	
CHECKED BY	吴志权	0<L≤4 ±0.1 4<L≤16 ±0.2 16<L≤63 ±0.3	Pin pitch ±0.20	UNIT:MM	MATERIAL: PHENOLIC	UL REC: UL 94V-0
 盱眙欧歌电子有限公司 XUYI OUGE ELECTRONIC CO.,LTD. TEL: 0086-760-22286356    FAX:0086-760-22286951 Email: sales@ougedianzi.com				SCALE: 1/1	TERMINAL MAT:CP WIRE	PIN TENSION LOAD: 1.0 KGS MIN
					DATE: 2014.03.28	DRAWING NO:

DRAFTED  
BY

付志良

TOLERANCE

ANGLR:  
±1°MODEL NAME:  
PQ-3526V(6+6)PINCHECKED  
BY

吴志权

 $0 < L \leq 4 \pm 0.1$   
 $4 < L \leq 16 \pm 0.2$   
 $16 < L \leq 63 \pm 0.3$ 
Pin pitch  
±0.20

UNIT:MM

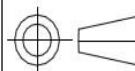
MATERIAL:  
PHENOLICUL REC:  
UL 94V-0

盱眙欧歌电子有限公司

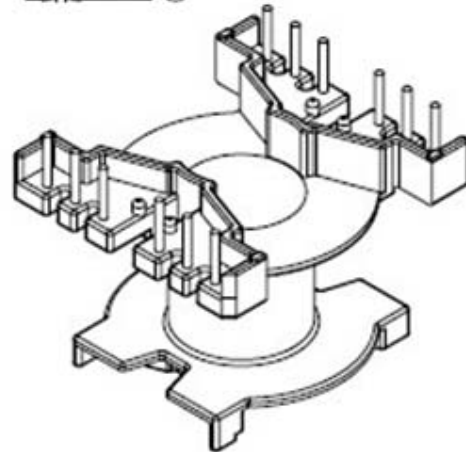
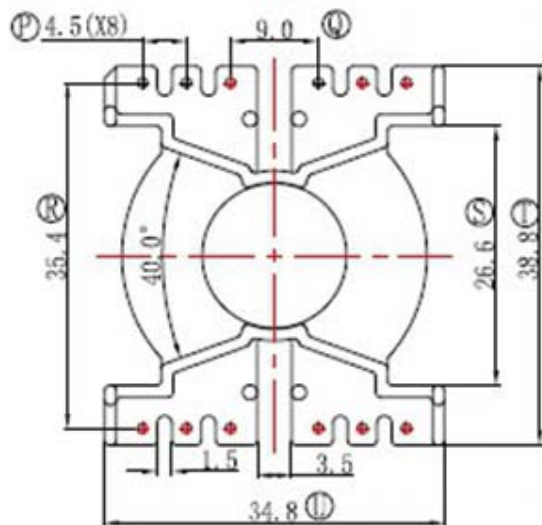
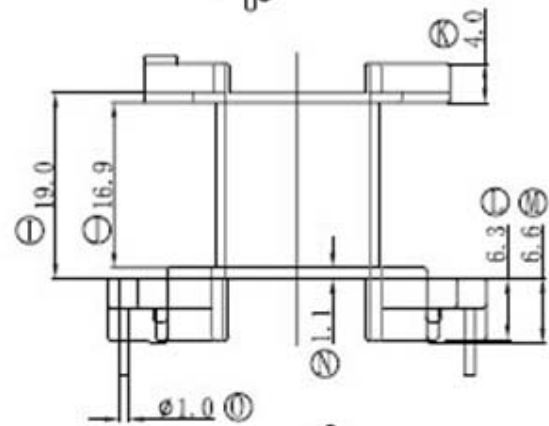
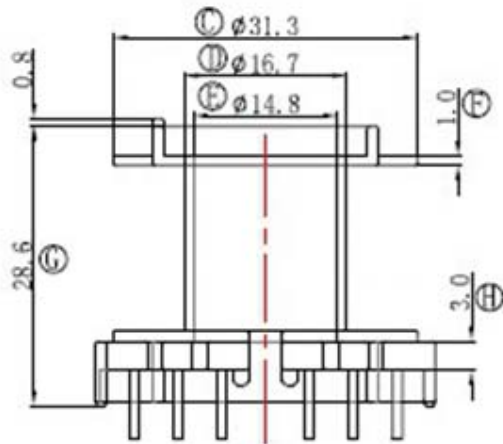
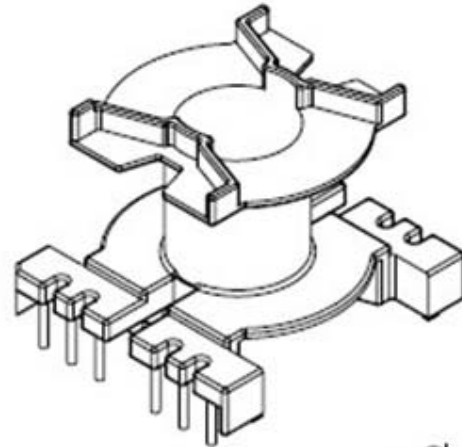
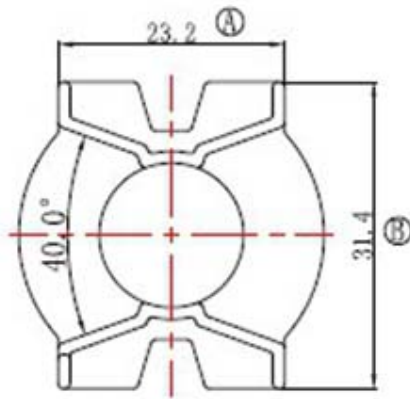
XUYI OUGE ELECTRONIC CO.,LTD.


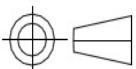
TEL: 0086-760-22286356 FAX:0086-760-22286951

Email: sales@ougedianzi.com

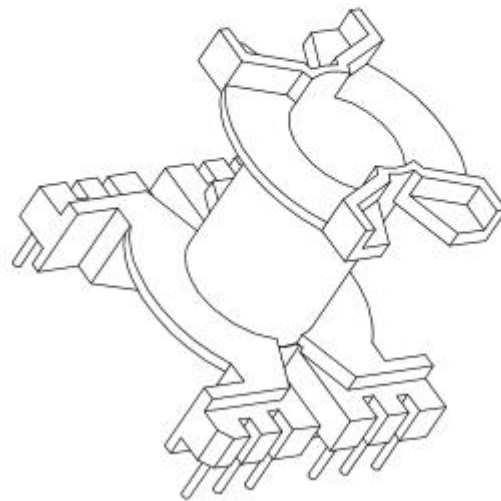
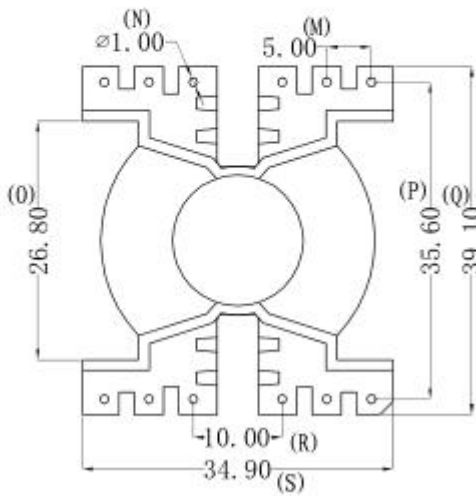
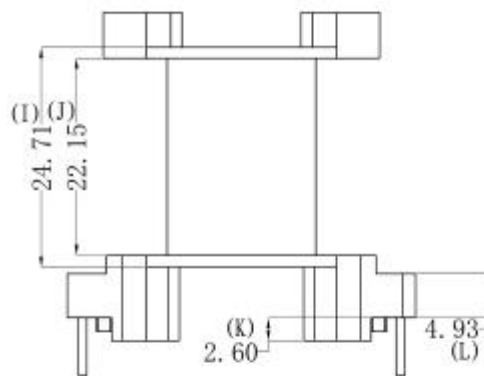
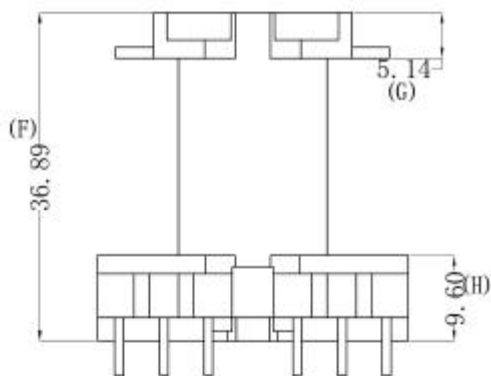
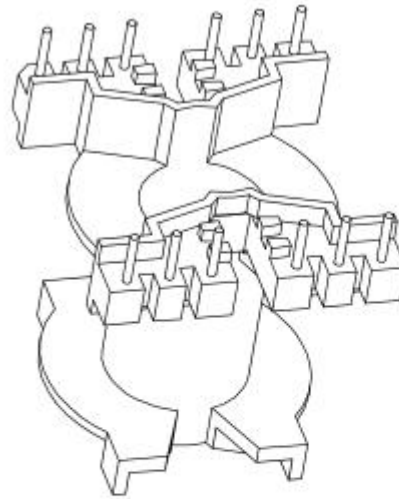
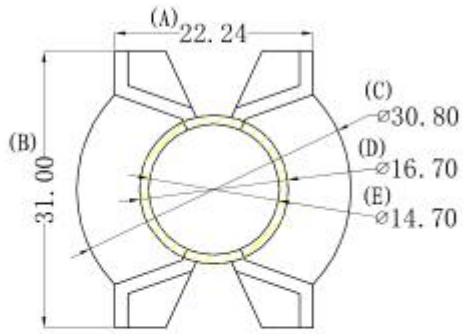
SCALE:  
1/1TERMINAL  
MAT:CP WIREPIN TENSION LOAD:  
1.0 KGS MINDATE:  
2014.03.28DRAWING  
NO:


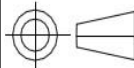
REV. A

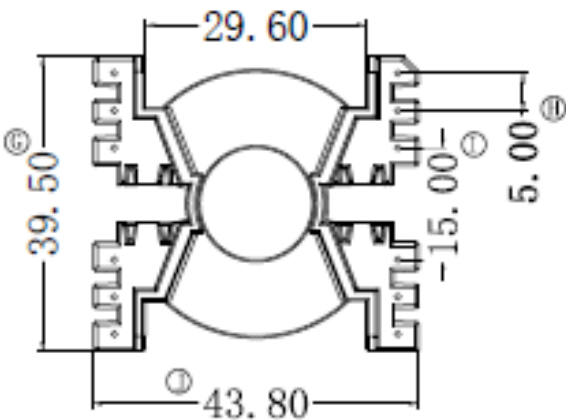
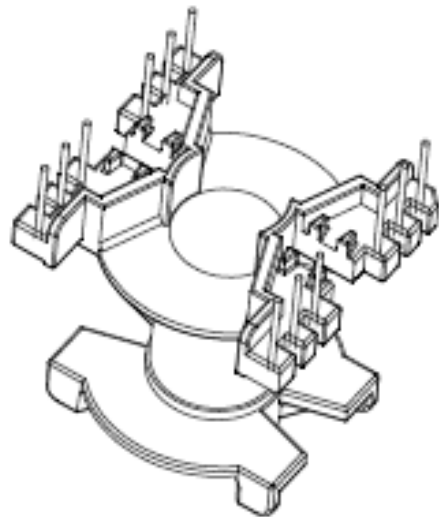
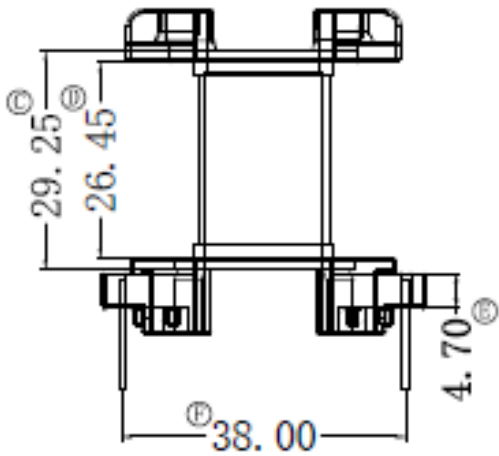
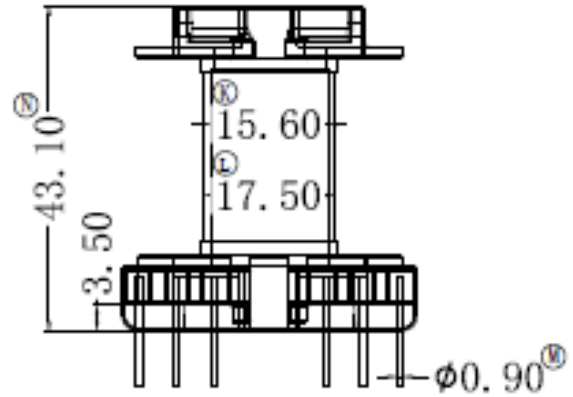
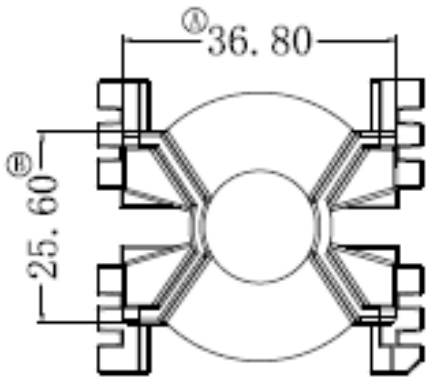



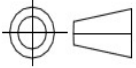
DRAFTED BY	付志良	TOLERANCE		ANGLR: ±1°	MODEL NAME: PQ-3530V(6+6)PIN	
CHECKED BY	吴志权	0<L≤4 ±0.1 4<L≤16 ±0.2 16<L≤63 ±0.3	Pin pitch ±0.20	UNIT:MM	MATERIAL: PHENOLIC	UL REC: UL 94V-0
 盱眙欧歌电子有限公司 XUYI OUGE ELECTRONIC CO.,LTD. TEL: 0086-760-22286356 FAX:0086-760-22286951 Email: sales@ougedianzi.com				SCALE: 1/1	TERMINAL MAT:CP WIRE	PIN TENSION LOAD: 1.0 KGS MIN
					DATE: 2014.03.28	DRAWING NO:

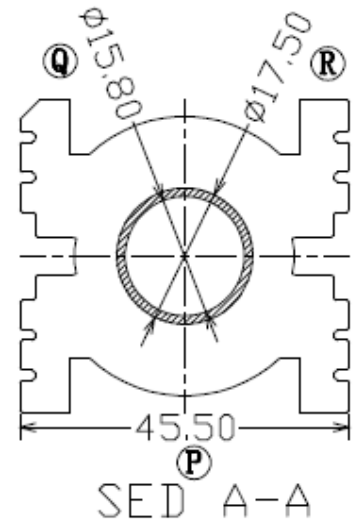
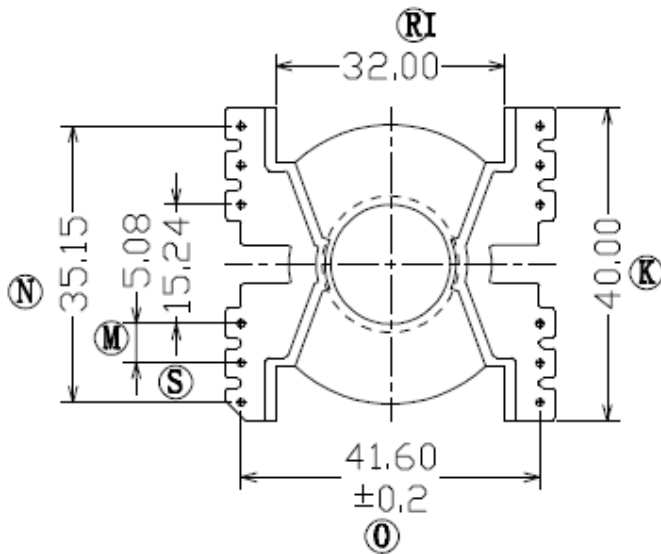
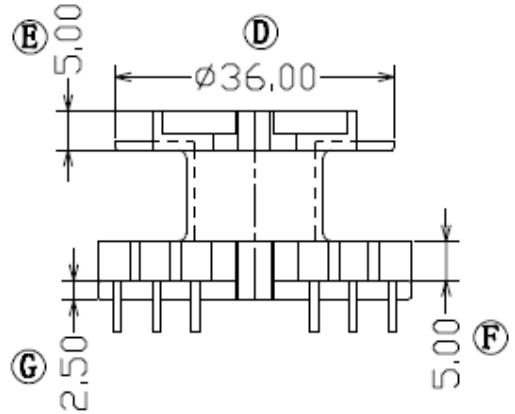
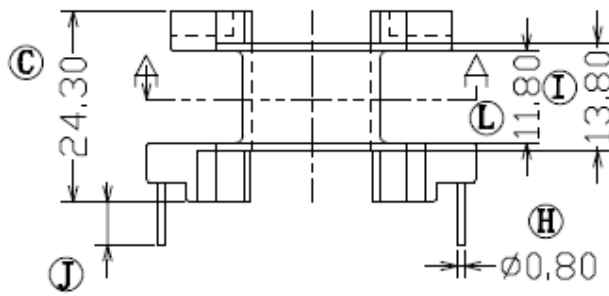
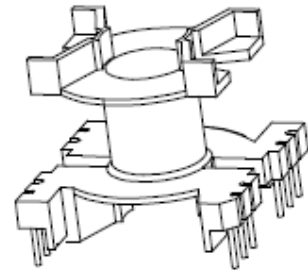
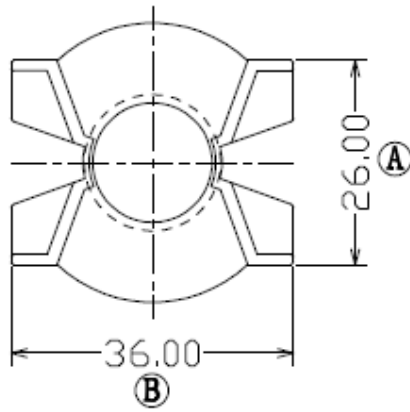




DRAFTED BY	付志良	TOLERANCE		ANGLR: $\pm 1^\circ$	MODEL NAME: PQ-3535V(6+6)PIN	
CHECKED BY	吴志权	0 <math><L \le 4</math> $\pm 0.1$ 4 <math><L \le 16</math> $\pm 0.2$ 16 <math><L \le 63</math> $\pm 0.3$	Pin pitch $\pm 0.20$	UNIT:MM	MATERIAL: PHENOLIC	UL REC: UL 94V-0
 盱眙欧歌电子有限公司 XUYI OUGE ELECTRONIC CO.,LTD. TEL: 0086-760-22286356    FAX:0086-760-22286951 Email: sales@ougedianzi.com				SCALE: 1/1	TERMINAL MAT:CP WIRE	PIN TENSION LOAD: 1.0 KGS MIN
					DATE: 2014.03.28	DRAWING NO:

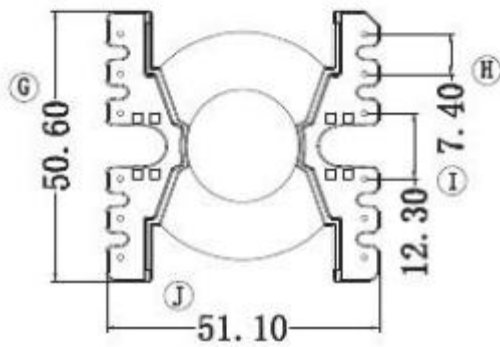
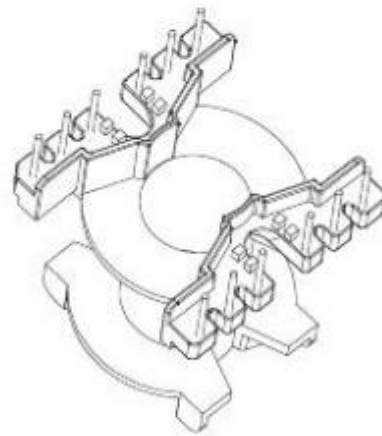
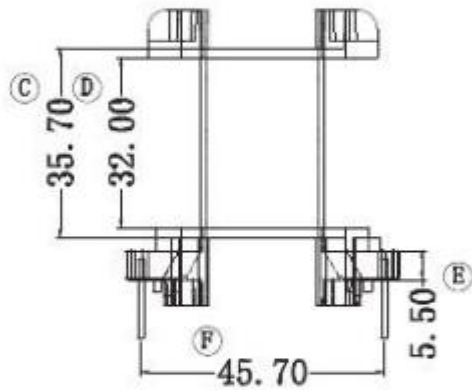
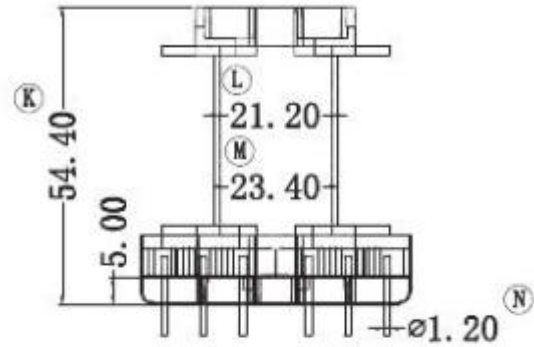
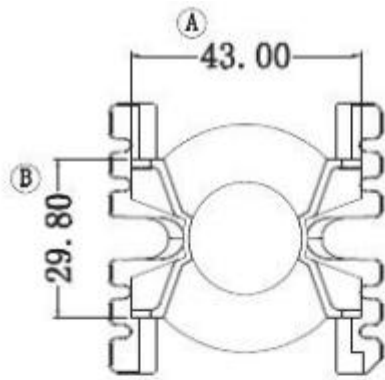



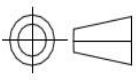
DRAFTED BY	付志良	TOLERANCE		ANGLR: $\pm 1^\circ$	MODEL NAME: PQ-4040V(6+6)PIN	
CHECKED BY	吴志权	0<L≤4 ±0.1 4<L≤16 ±0.2 16<L≤63 ±0.3	Pin pitch ±0.20	UNIT:MM	MATERIAL: PHENOLIC	UL REC: UL 94V-0
 盱眙欧歌电子有限公司 XUYI OUGE ELECTRONIC CO.,LTD. TEL: 0086-760-22286356    FAX:0086-760-22286951 Email: sales@ougedianzi.com				SCALE: 1/1	TERMINAL MAT:CP WIRE	PIN TENSION LOAD: 1.0 KGS MIN
					DATE: 2014.03.28	DRAWING NO:

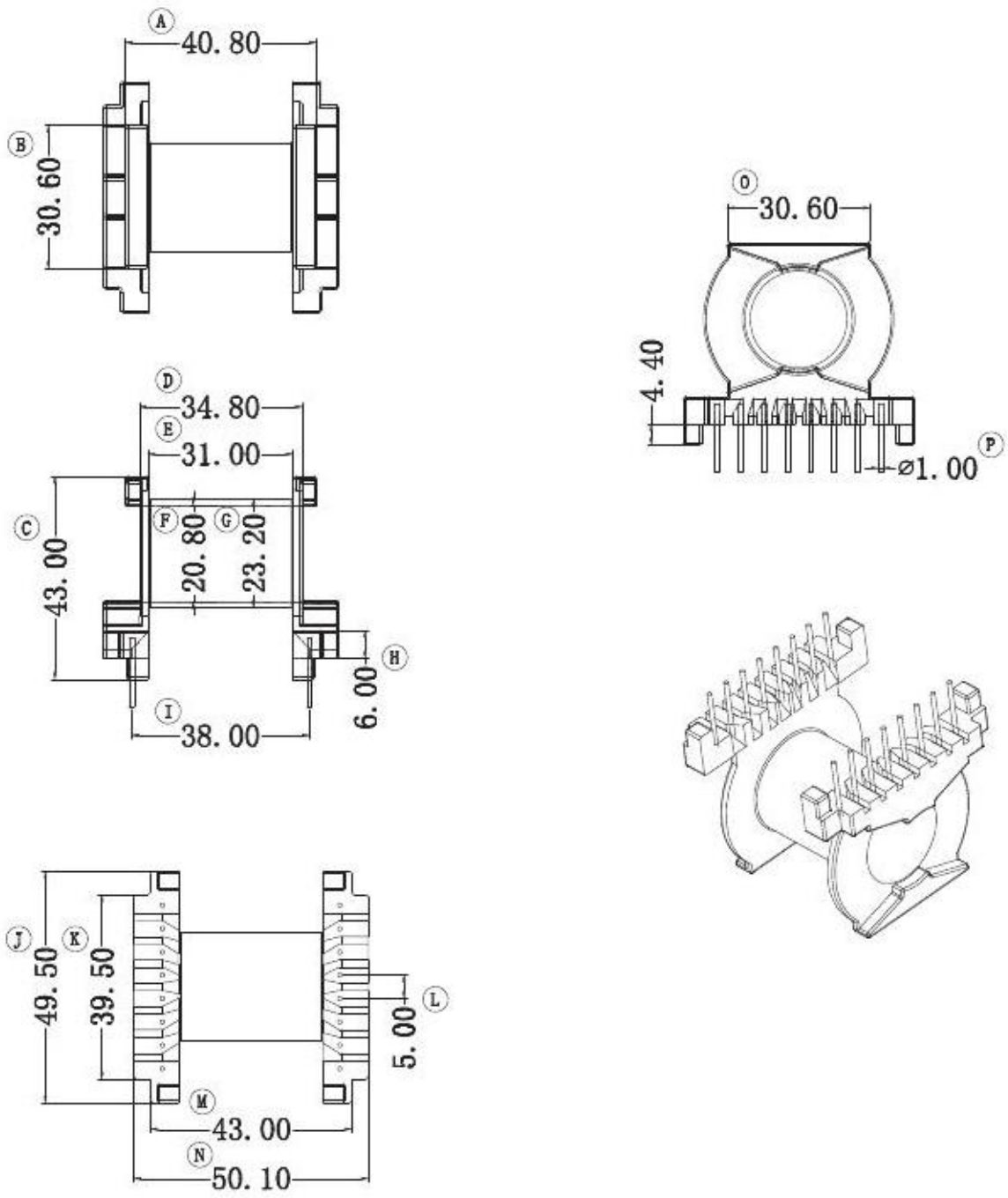



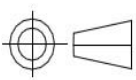
DRAFTED BY	付志良	TOLERANCE		ANGLR: ±1°	MODEL NAME: PQ-4025V(6+6)PIN	
CHECKED BY	吴志权	0<L≤4 ±0.1 4<L≤16 ±0.2 16<L≤63 ±0.3	Pin pitch ±0.20	UNIT:MM	MATERIAL: PHENOLIC	UL REC: UL 94V-0
<p>盱眙欧歌电子有限公司 XUYI OUGE ELECTRONIC CO.,LTD. TEL: 0086-760-22286356 FAX:0086-760-22286951 Email: sales@ougedianzi.com</p>				SCALE: 1/1	TERMINAL MAT:CP WIRE	PIN TENSION LOAD: 1.0 KGS MIN
					DATE: 2014.03.28	DRAWING NO:





DRAFTED BY	付志良	TOLERANCE		ANGLR: ±1°	MODEL NAME: PQ-5001V(6+6)PIN	
CHECKED BY	吴志权	0<L≤4 ±0.1 4<L≤16 ±0.2 16<L≤63 ±0.3	Pin pitch ±0.20	UNIT:MM	MATERIAL: PHENOLIC	UL REC: UL 94V-0
 盱眙欧歌电子有限公司 XUYI OUGE ELECTRONIC CO.,LTD. TEL: 0086-760-22286356 FAX:0086-760-22286951 Email: sales@ougedianzi.com				SCALE: 1/1	TERMINAL MAT:CP WIRE	PIN TENSION LOAD: 1.0 KGS MIN
					DATE: 2014.03.28	DRAWING NO:



DRAFTED BY	付志良	TOLERANCE		ANGLR: ±1°	MODEL NAME: PQ5050 H (8+8)PIN	
CHECKED BY	吴志权	0<L≤4 ±0.1 4<L≤16 ±0.2 16<L≤63 ±0.3	Pin pitch ±0.20	UNIT:MM	MATERIAL: PHENOLIC	UL REC: UL 94V-0
 盱眙欧歌电子有限公司 XUYI OUGE ELECTRONIC CO.,LTD. TEL: 0086-760-22286356    FAX:0086-760-22286951 Email: sales@ougedianzi.com				SCALE: 1/1	TERMINAL MAT:CP WIRE	PIN TENSION LOAD: 1.0 KGS MIN
					DATE: 2015.09.30	DRAWING NO: