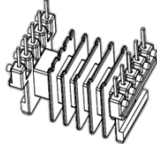
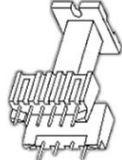
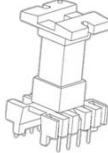
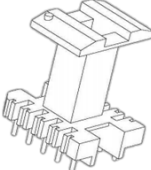
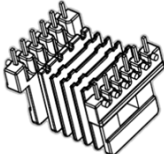
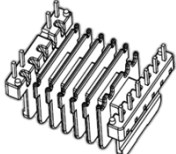
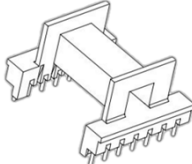
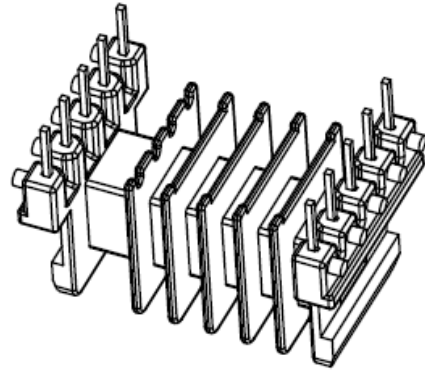
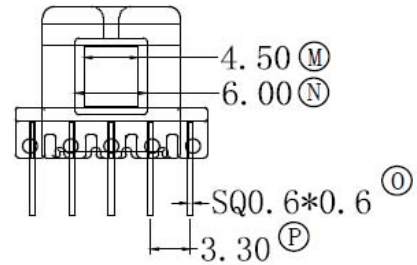
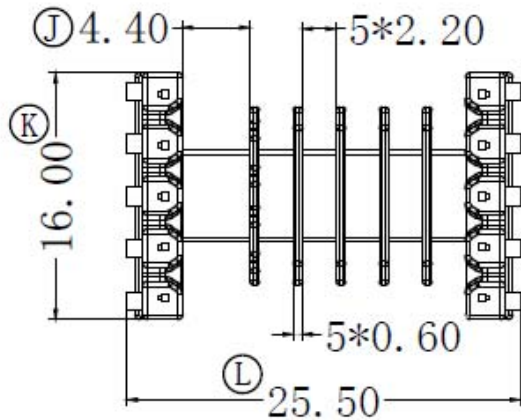
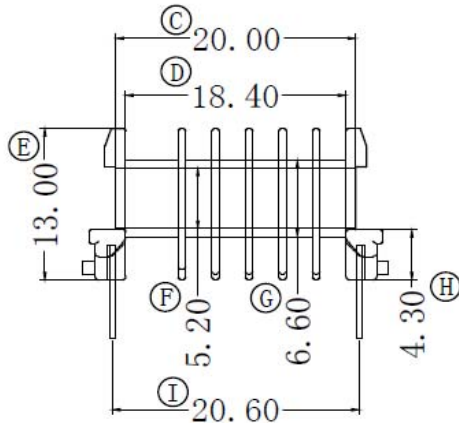
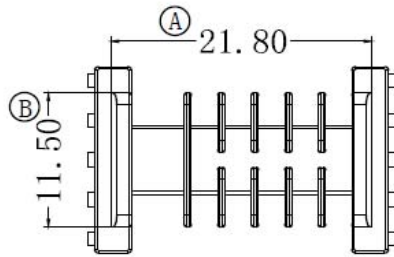

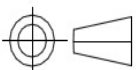
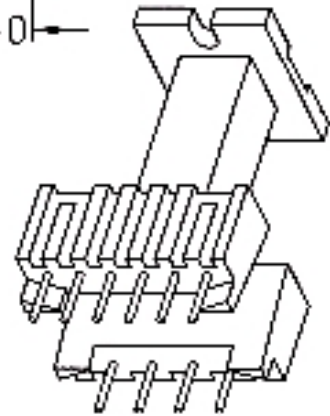
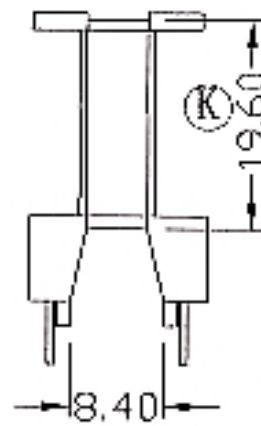
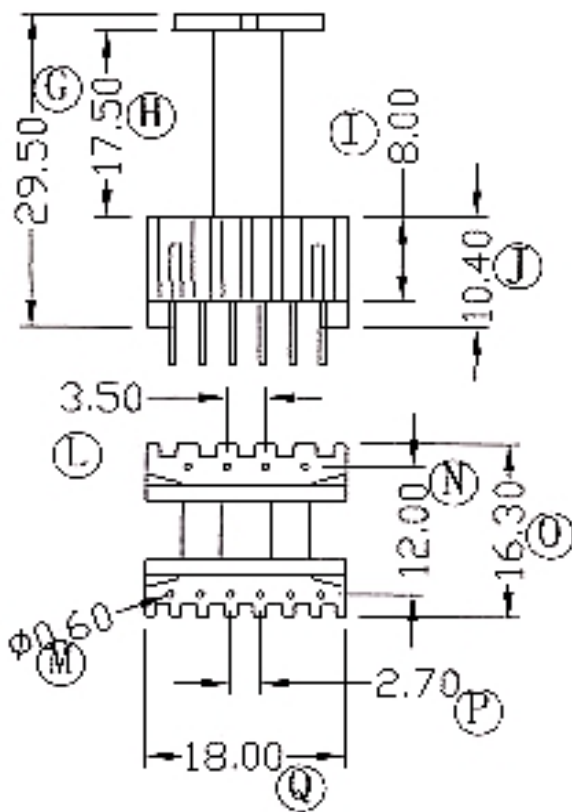
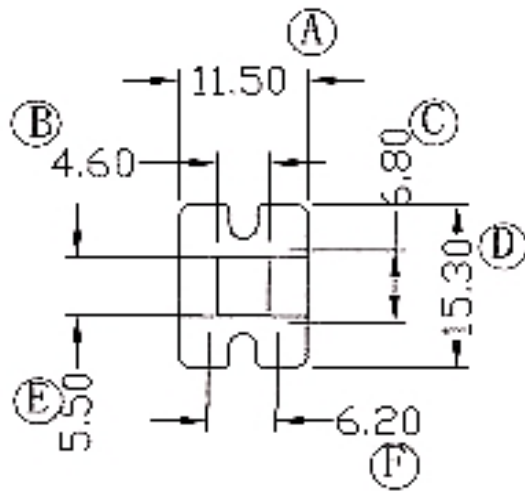

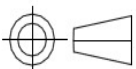


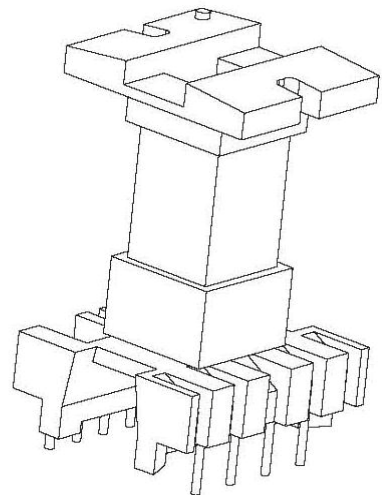
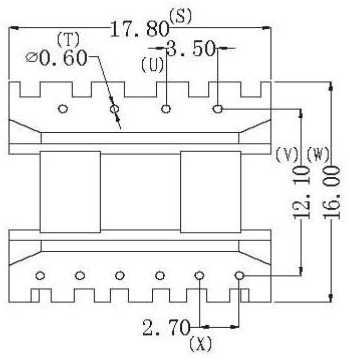
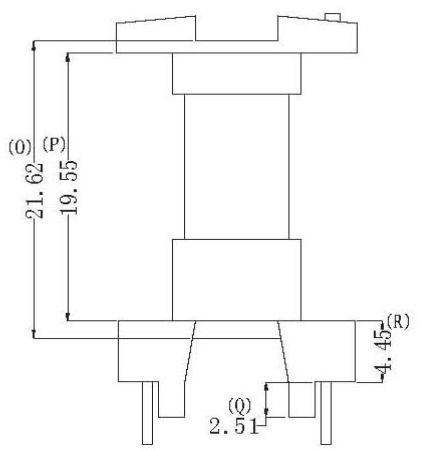
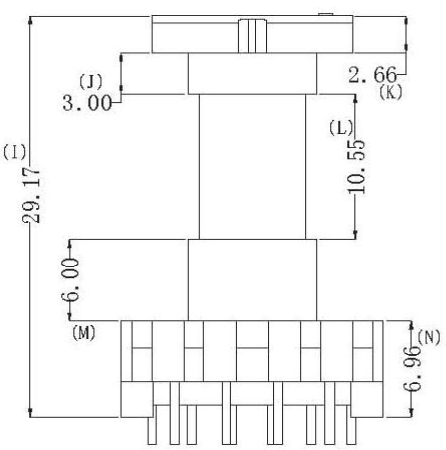
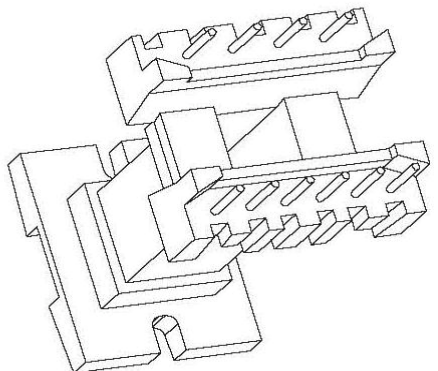
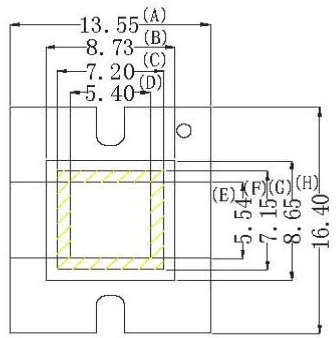
OUGE				EEL Bobbin Type	
ITEM NO	DESCRIPTION	PIN CIRCUIT	PIN:PIN	ROW:ROW	PHOTO
EEL1601	EEL16 Horizontal 6Sections	5X5	3.3	20.6	
EEL1610	EEL16 Vertical	4X6	2.7/3.5	12	
EEL1910	EEL19 Vertical	4X6	2.7/3.5	12.1	
EEL2205	EEL22 Vertical	5X5	4	10.2	
EEL2201	EEL22 Horizontal 6Sections	6X6	3.2	23.1	
EEL2501	EEL25 Horizontal 7Sections	4X6	3.7/4.0	28.0	
EEL2515	EEL25 Horizontal	7X7	4	27	


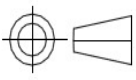


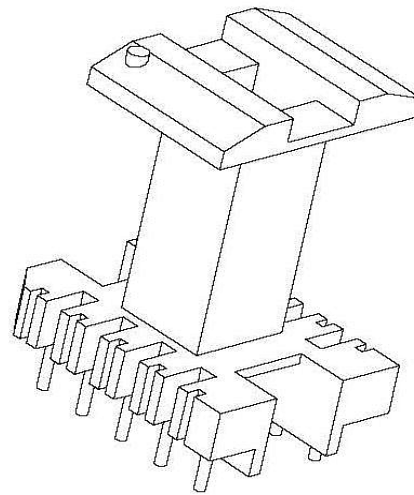
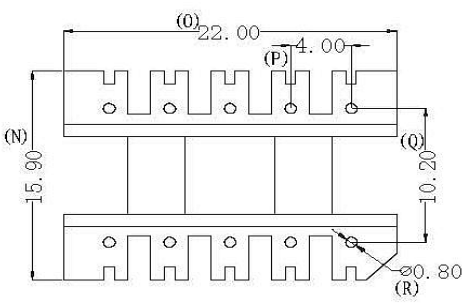
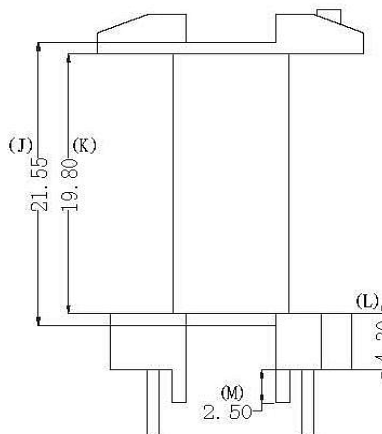
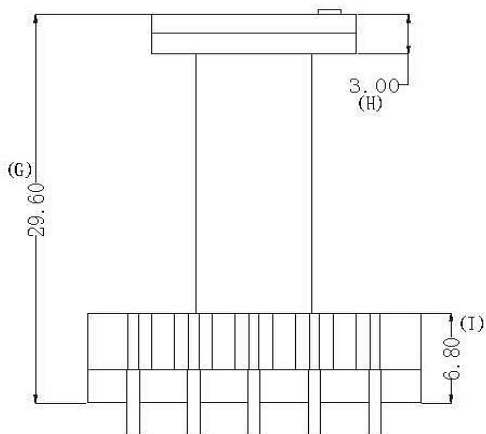
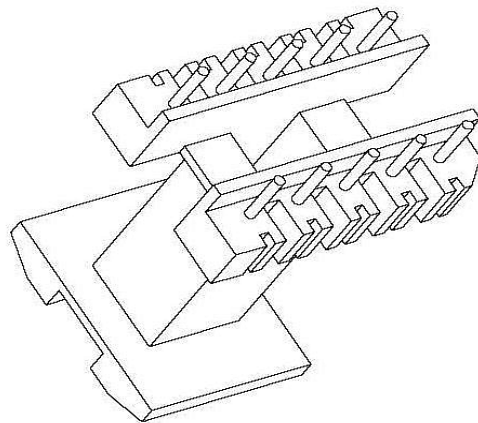
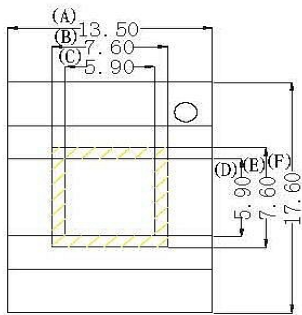
DRAFTED BY	付志良	TOLERANCE		ANGLR: ±1°	MODEL NAME: EEL-16H(5+5) PIN	
CHECKED BY	吴志权	0<L≤4 ±0.1 4<L≤16 ±0.2 16<L≤63 ±0.3	Pin pitch ±0.20	UNIT:MM	MATERIAL: PBT	UL REC: UL 94V-0
 盱眙欧歌电子有限公司 XUYI OUGE ELECTRONIC CO.,LTD. TEL: 0086-760-22286356 F AX:0086-760-22286951 Email: sales@ougedianzi.com				SCALE: 1/1	TERMINAL MAT:CP WIRE	PIN TENSION LOAD: 1.0 KGS MIN
					DATE: 2014.03.28	DRAWING NO:



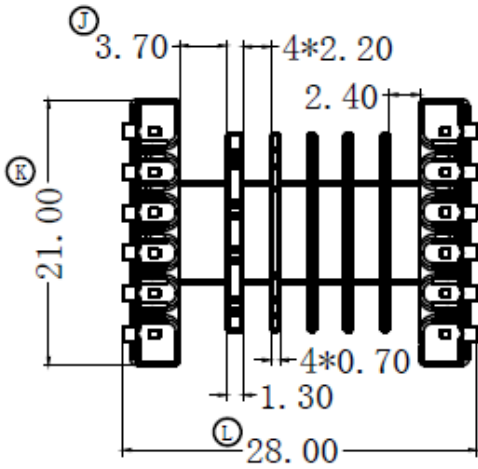
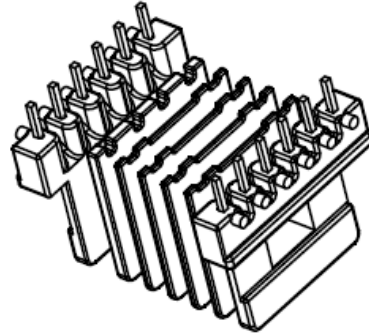
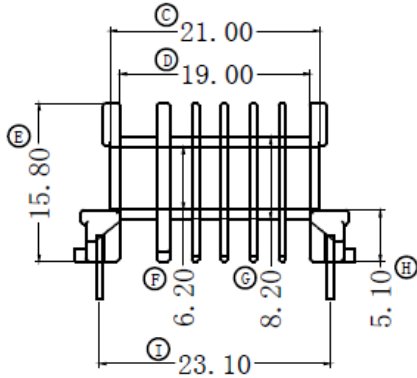
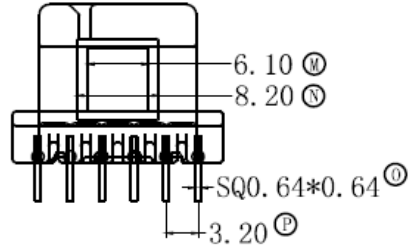
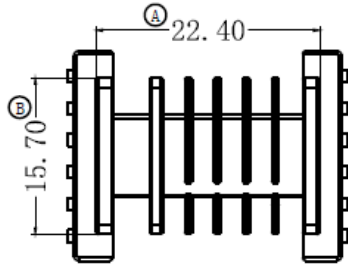
DRAFTED BY	付志良	TOLERANCE		ANGLR: ±1°	MODEL NAME: EEL-16V(4+6) PIN	
CHECKED BY	吴志权	0<L≤4 ±0.1 4<L≤16 ±0.2 16<L≤63 ±0.3	Pin pitch ±0.20	UNIT:MM	MATERIAL: PHENOLIC	UL REC: UL 94V-0
 盱眙欧歌电子有限公司 XUYI OUGE ELECTRONIC CO.,LTD. TEL: 0086-760-22286356 F AX:0086-760-22286951 Email: sales@ougedianzi.com				SCALE: 1/1	TERMINAL MAT:CP WIRE	PIN TENSION LOAD: 1.0 KGS MIN
					DATE: 2014.03.28	DRAWING NO:


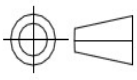


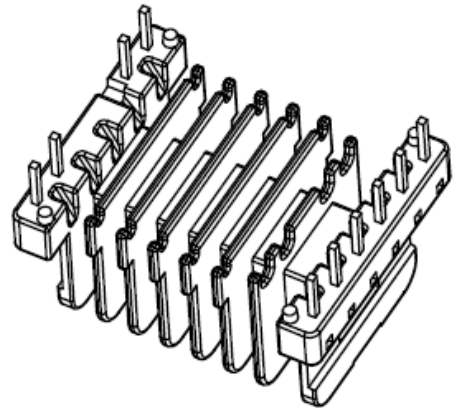
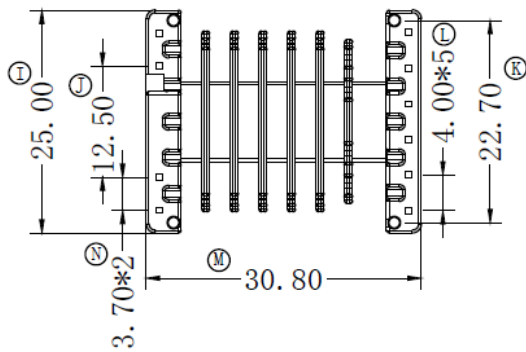
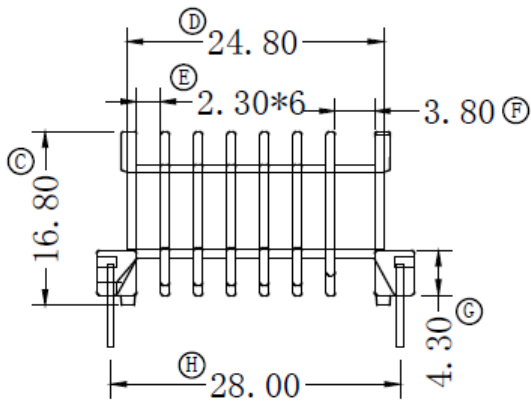
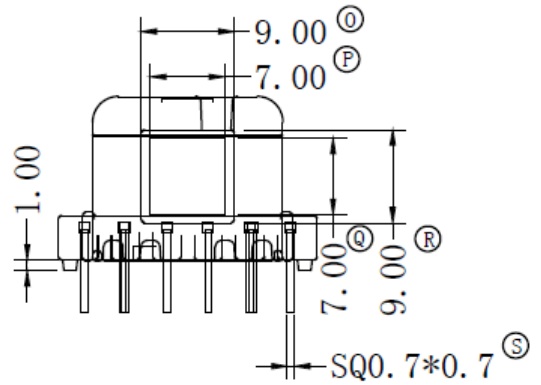
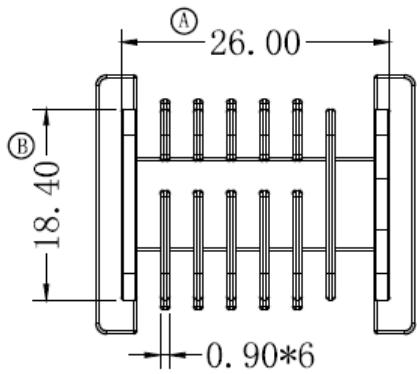
DRAFTED BY	付志良	TOLERANCE		ANGLR: ±1°	MODEL NAME: EEL-19V(4+6) PIN	
CHECKED BY	吴志权	0<L≤4 ±0.1 4<L≤16 ±0.2 16<L≤63 ±0.3	Pin pitch ±0.20	UNIT:MM	MATERIAL: PHENOLIC	UL REC: UL 94V-0
 盱眙欧歌电子有限公司 XUYI OUGE ELECTRONIC CO.,LTD. TEL: 0086-760-22286356 F AX:0086-760-22286951 Email: sales@ougedianzi.com				SCALE: 1/1	TERMINAL MAT:CP WIRE	PIN TENSION LOAD: 1.0 KGS MIN
					DATE: 2014.03.28	DRAWING NO:


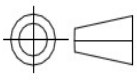


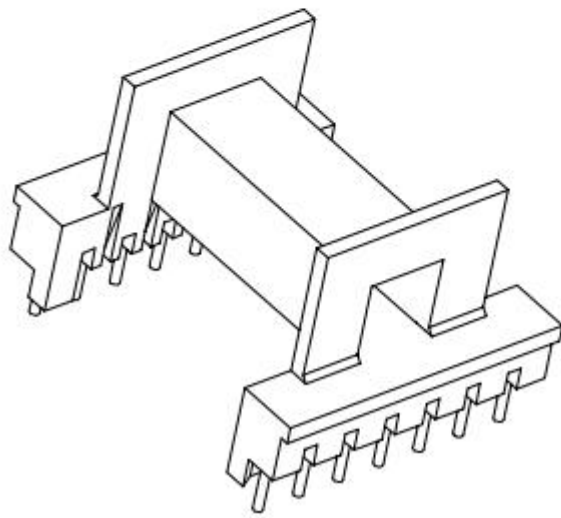
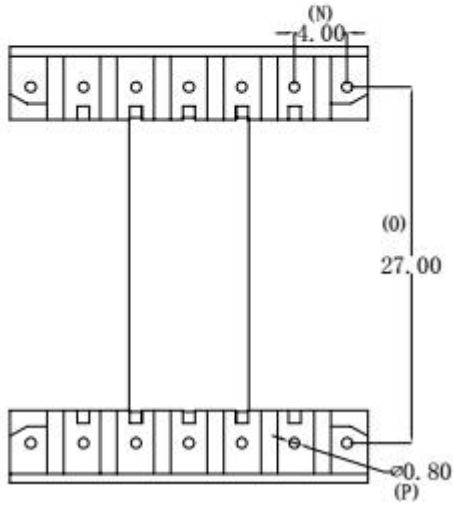
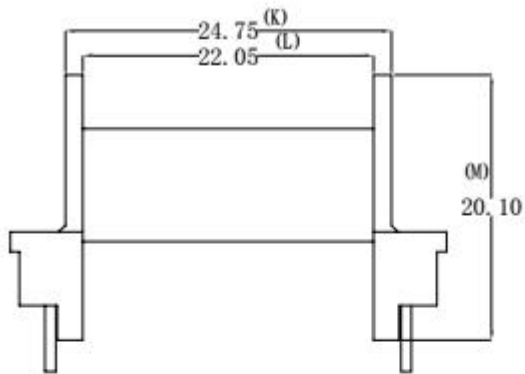
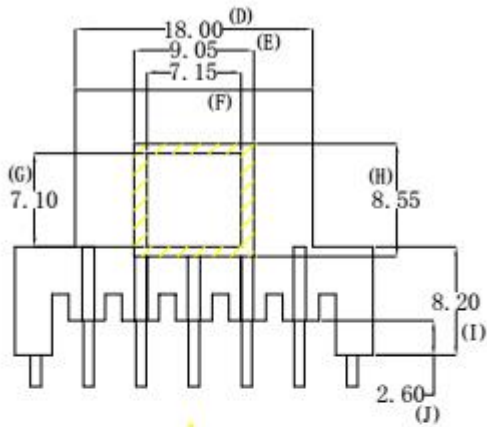
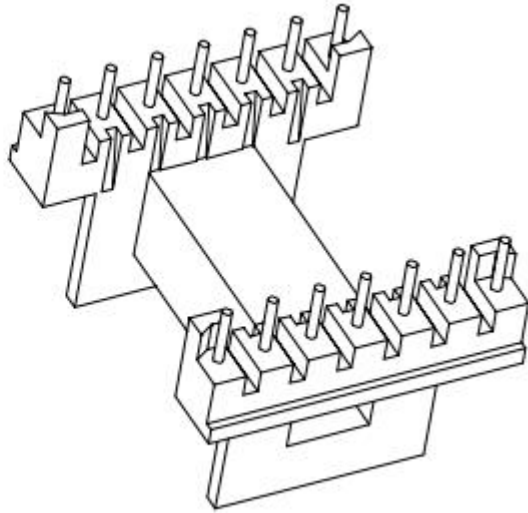
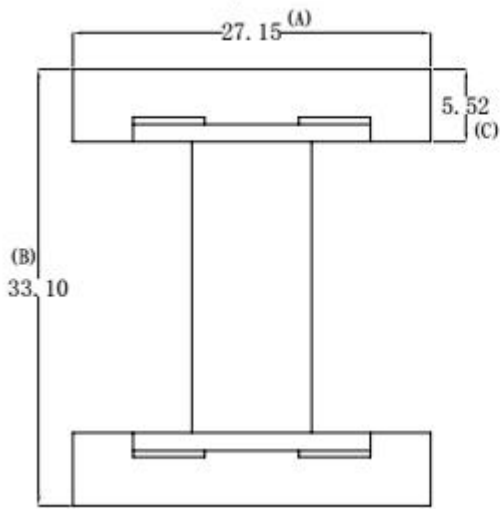
DRAFTED BY	付志良	TOLERANCE		ANGLR: ±1°	MODEL NAME: EEL-22V(5+5) PIN	
CHECKED BY	吴志权	0<L≤4 ±0.1 4<L≤16 ±0.2 16<L≤63 ±0.3	Pin pitch ±0.20	UNIT:MM	MATERIAL: PHENOLIC	UL REC: UL 94V-0
盱眙欧歌电子有限公司 XUYI OUGE ELECTRONIC CO.,LTD. TEL: 0086-760-22286356      F AX:0086-760-22286951 Email: sales@ougedianzi.com				SCALE: 1/1	TERMINAL MAT:CP WIRE	PIN TENSION LOAD: 1.0 KGS MIN
					DATE: 2014.03.28	DRAWING NO:


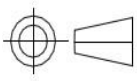


DRAFTED BY	付志良	TOLERANCE		ANGLR: ±1°	MODEL NAME: EEL-22H(6+6) PIN	
CHECKED BY	吴志权	0<L≤4 ±0.1 4<L≤16 ±0.2 16<L≤63 ±0.3	Pin pitch ±0.20	UNIT:MM	MATERIAL: PET	UL REC: UL 94V-0
 盱眙欧歌电子有限公司 XUYI OUGE ELECTRONIC CO.,LTD. TEL: 0086-760-22286356    F AX:0086-760-22286951 Email: sales@ougedianzi.com				SCALE: 1/1	TERMINAL MAT:CP WIRE	PIN TENSION LOAD: 1.0 KGS MIN
					DATE: 2014.03.28	DRAWING NO:



DRAFTED BY	付志良	TOLERANCE		ANGLR: ±1°	MODEL NAME: EEL-25H(4+6) PIN	
CHECKED BY	吴志权	0<L≤4 ±0.1 4<L≤16 ±0.2 16<L≤63 ±0.3	Pin pitch ±0.20	UNIT:MM	MATERIAL: PBT	UL REC: UL 94V-0
 盱眙欧歌电子有限公司 XUYI OUGE ELECTRONIC CO.,LTD. TEL: 0086-760-22286356    F AX:0086-760-22286951 Email: sales@ougedianzi.com				SCALE: 1/1	TERMINAL MAT:CP WIRE	PIN TENSION LOAD: 1.0 KGS MIN
					DATE: 2014.03.28	DRAWING NO:



DRAFTED BY	付志良	TOLERANCE		ANGLR: ±1°	MODEL NAME: EEL-25H(7+7) PIN	
CHECKED BY	吴志权	0<L≤4 ±0.1 4<L≤16 ±0.2 16<L≤63 ±0.3	Pin pitch ±0.20	UNIT:MM	MATERIAL: PHENOLIC	UL REC: UL 94V-0
 盱眙欧歌电子有限公司 XUYI OUGE ELECTRONIC CO.,LTD. TEL: 0086-760-22286356 F AX:0086-760-22286951 Email: sales@ougedianzi.com				SCALE: 1/1	TERMINAL MAT:CP WIRE	PIN TENSION LOAD: 1.0 KGS MIN
					DATE: 2014.03.28	DRAWING NO: