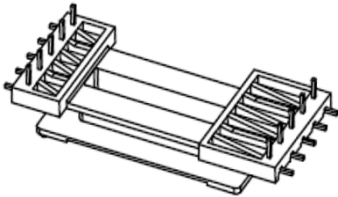
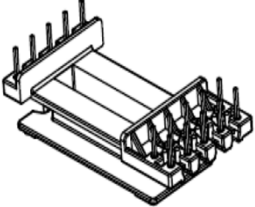
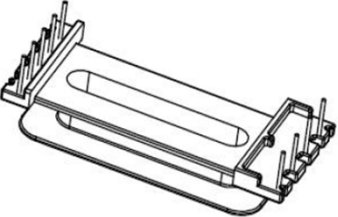
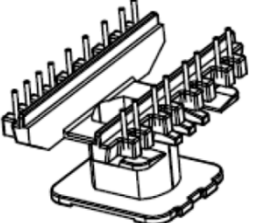
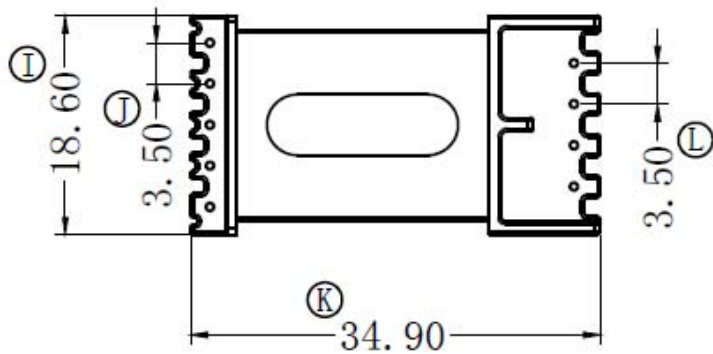
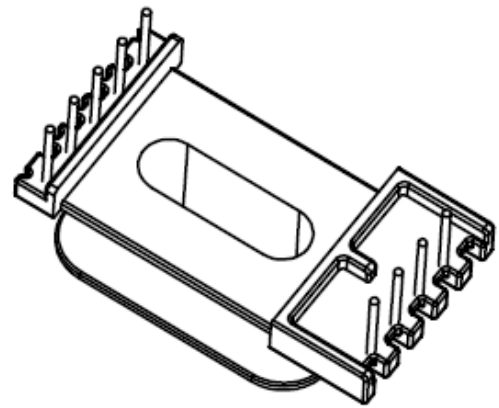
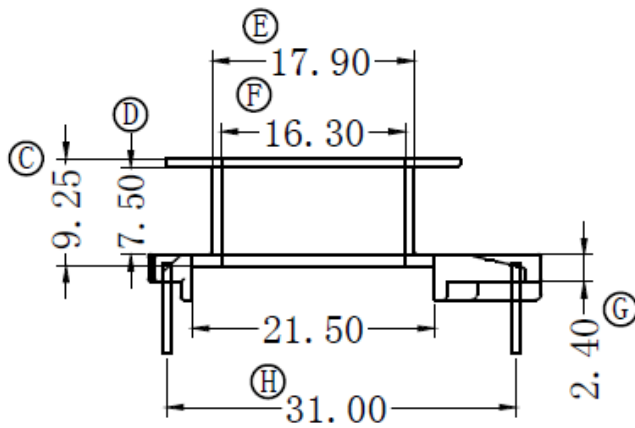
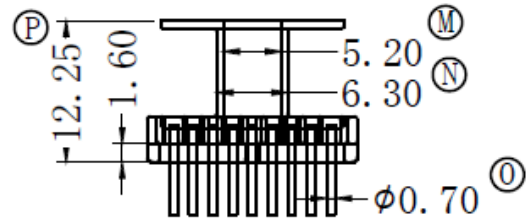
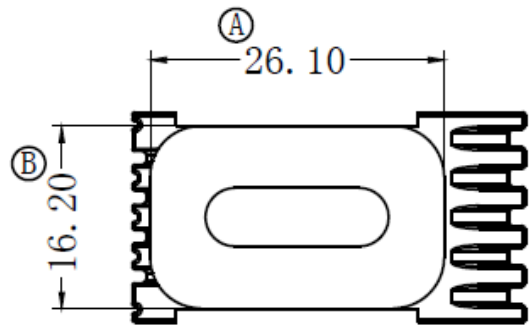



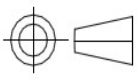
OUGE

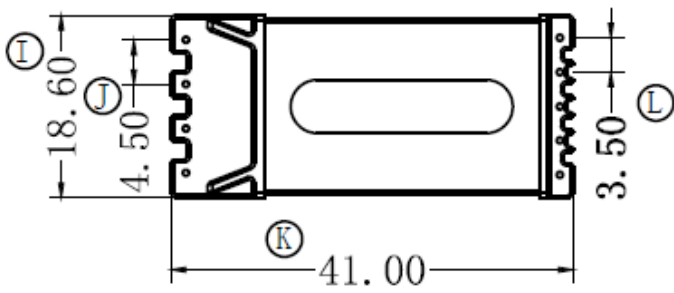
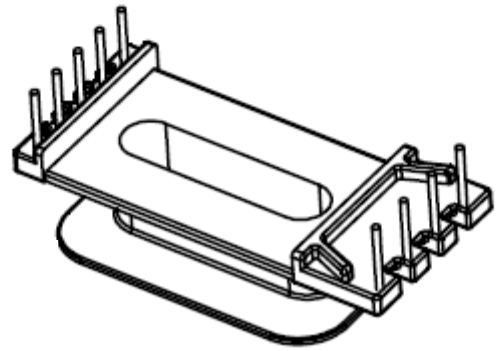
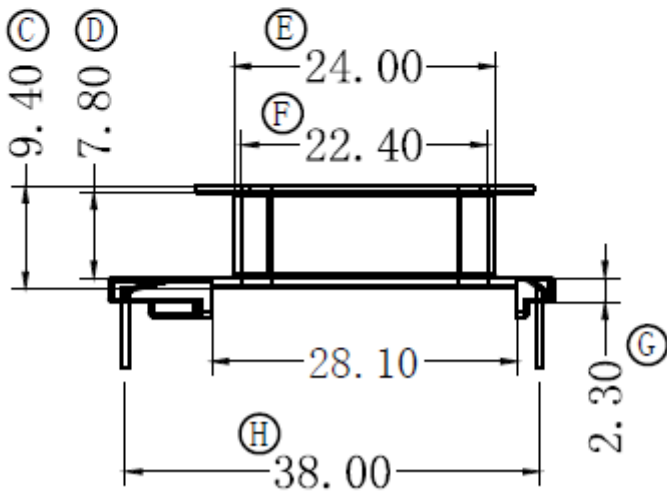
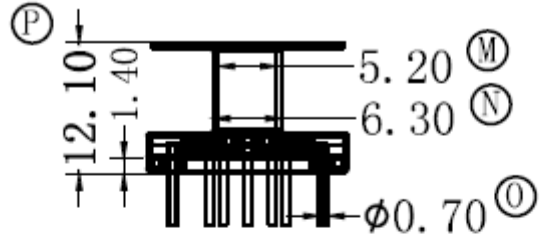
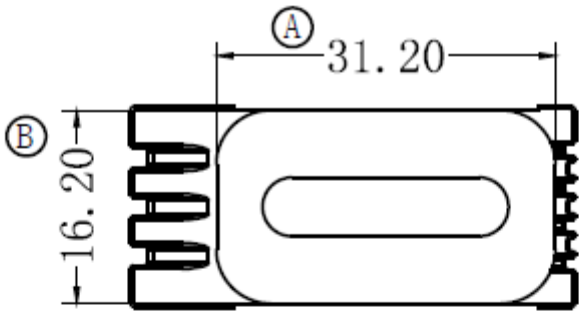
ED Bobbin Type


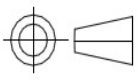
ITEM NO	DESCRIPTION	PIN CIRCUIT	PIN:PIN	ROW:ROW	PHOTO
ED2021	ED2021 DIP	5X4	3.5	31.0	
ED2027	ED2027 DIP	5X4	3.5	38.0	
EDR2037	ED2037 DIP	5X4	3.5/4.5	48.0	
ED2037-1	ED2037-1 DIP	5X4	3.5/4.5	48.0	
ED2514	ED2514 DIP	5X5	5.0	53.2	

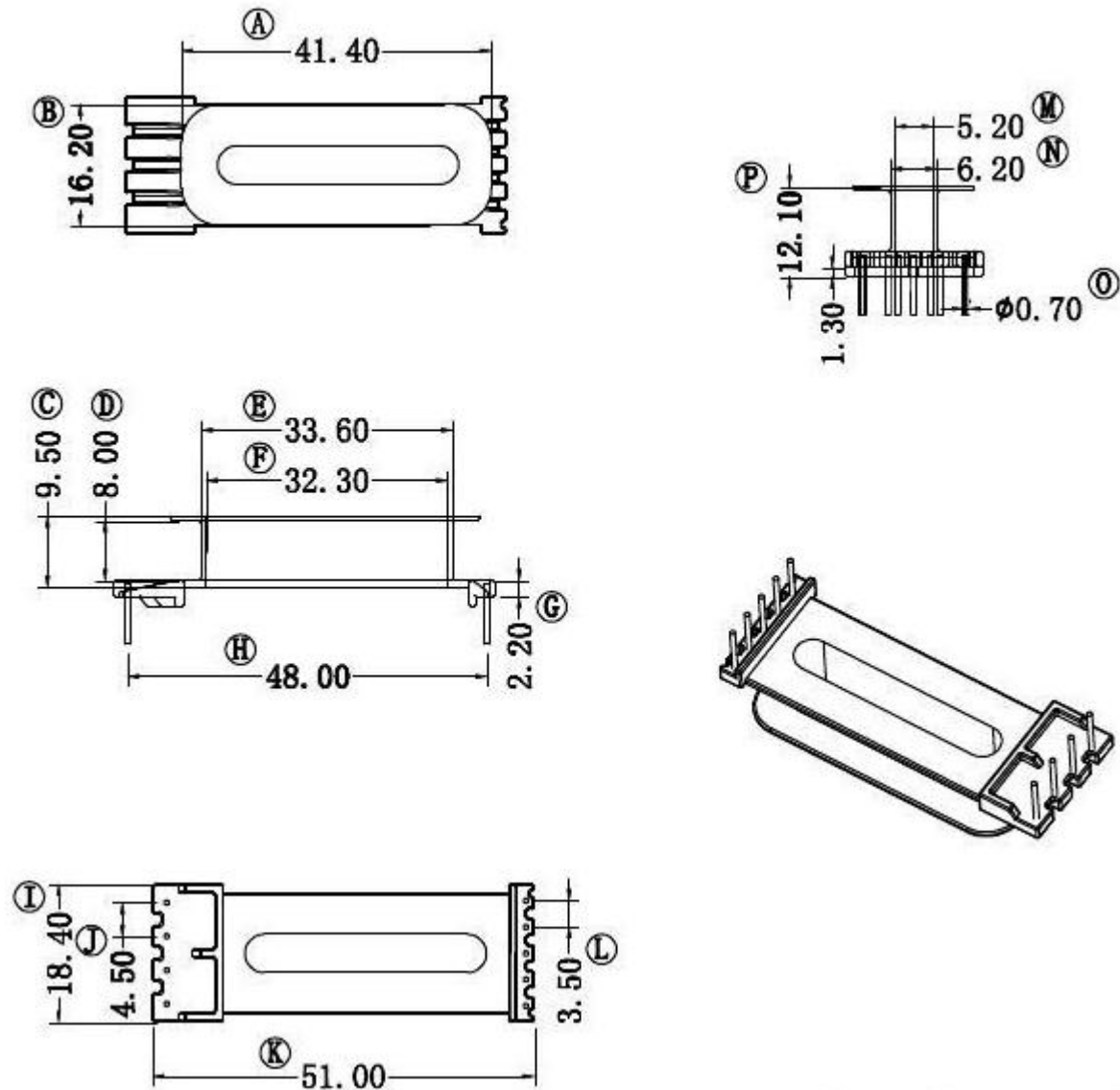
ITEM NO	DESCRIPTION	PIN CIRCUIT	PIN:PIN	ROW:ROW	PHOTO
ED2630	ED2630 DIP	5X5X5	5.0*4/5.0*8	47.0	
EDR2642	ED2642 DIP	5X4	5/6.5	54.0	
ED2820	ED2820 DIP	9X8	3.5*8/5.0*3/5.5*4	20.0	


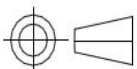


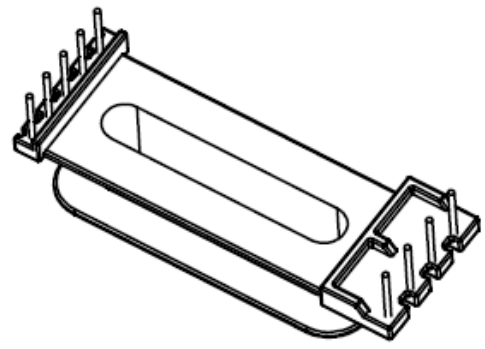
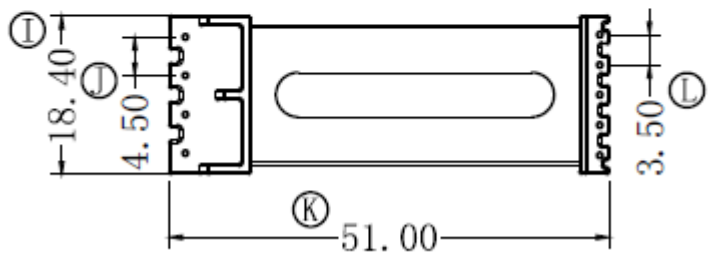
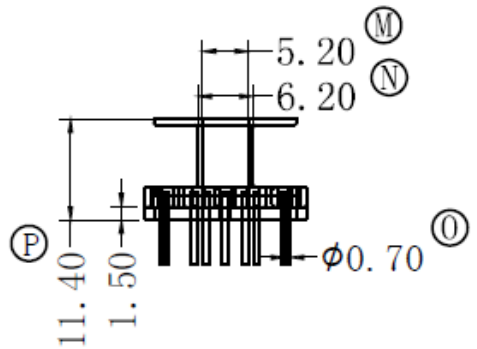
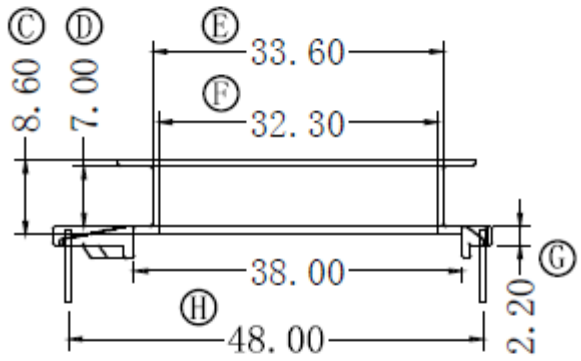
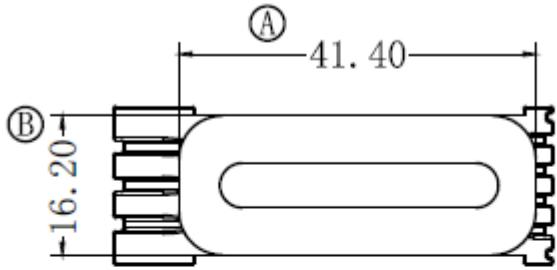
DRAFTED BY	付志良	TOLERANCE		ANGLR: ±1°	MODEL NAME: ED-2021 (5+4) PIN	
CHECKED BY	吴志权	0<L≤4 ±0.1 4<L≤16 ±0.2 16<L≤63 ±0.3	Pin pitch ±0.20	UNIT:MM	MATERIAL: PHENOLIC	UL REC: UL 94V-0
 盱眙欧歌电子有限公司 XUYI OUGE ELECTRONIC CO.,LTD. TEL: 0086-760-22286356 FAX:0086-760-22286951 Email: sales@ougedianzi.com				SCALE: 1/1	TERMINAL MAT:CP WIRE	PIN TENSION LOAD: 1.0 KGS MIN
					DATE: 2018.05	DRAWING NO:


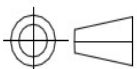


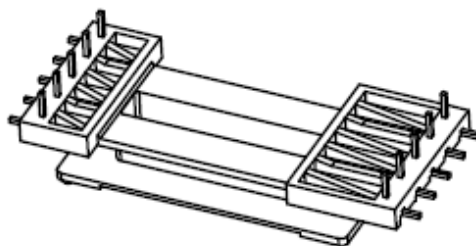
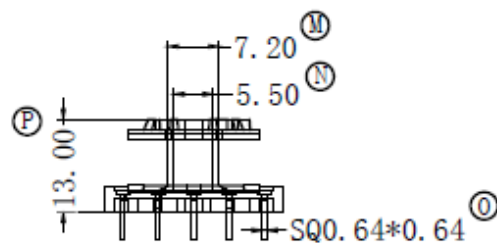
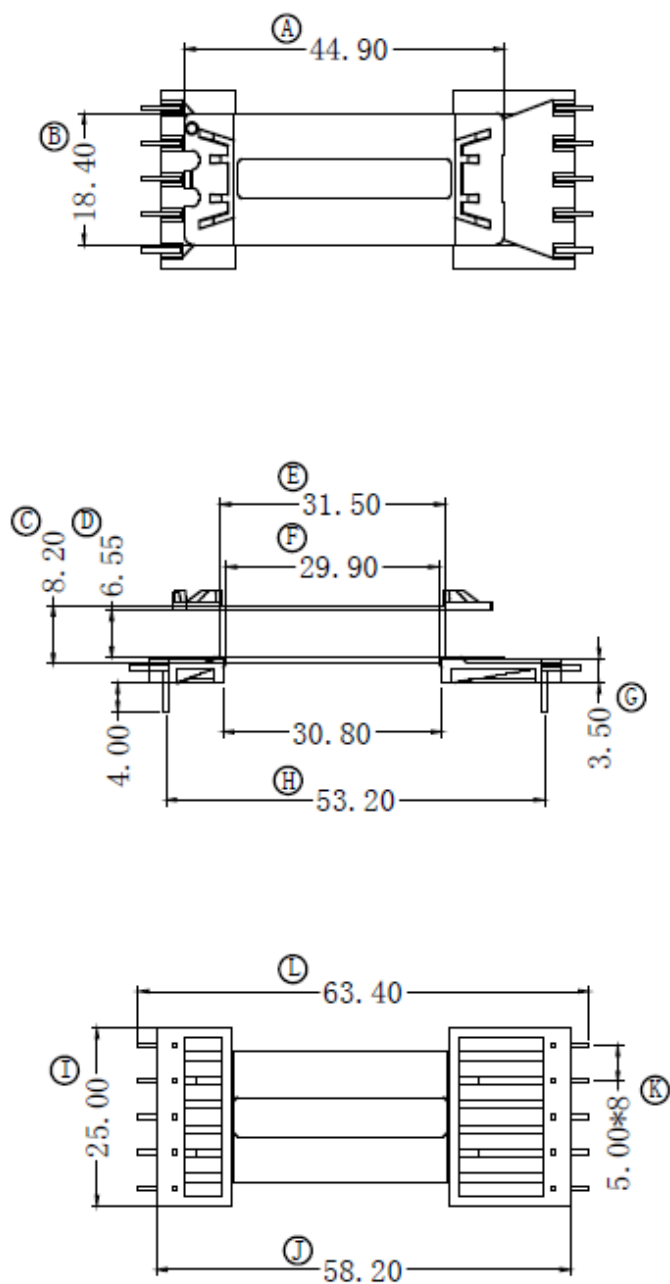
DRAFTED BY	付志良	TOLERANCE		ANGLR: ±1°	MODEL NAME: ED-2027 (5+4) PIN		
CHECKED BY	吴志权	0<L≤4 ±0.1 4<L≤16 ±0.2 16<L≤63 ±0.3	Pin pitch ±0.20	UNIT:MM	MATERIAL: PHENOLIC	UL REC: UL 94V-0	
 盱眙欧歌电子有限公司 XUYI OUGE ELECTRONIC CO.,LTD. TEL: 0086-760-22286356 FAX:0086-760-22286951 Email: sales@ougedianzi.com				SCALE: 1/1	TERMINAL MAT:CP WIRE	PIN TENSION LOAD: 1.0 KGS MIN	
					DATE: 2018.05	DRAWING NO:	REV. A


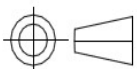


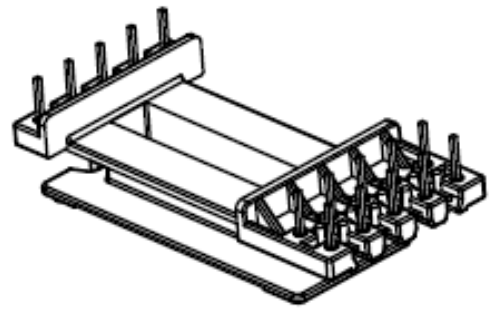
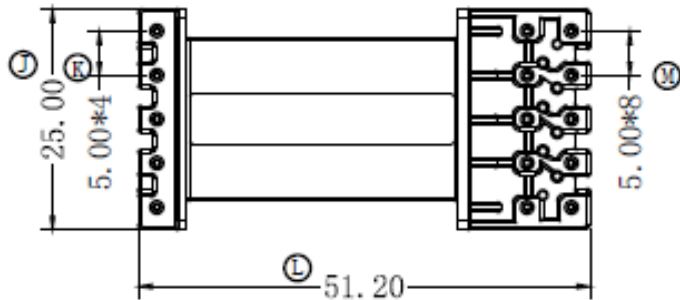
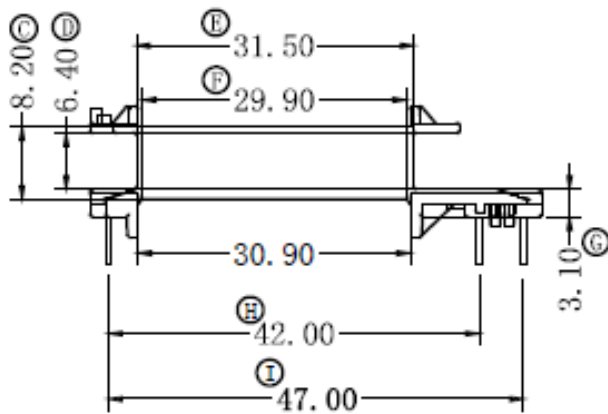
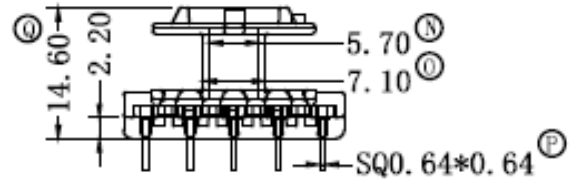
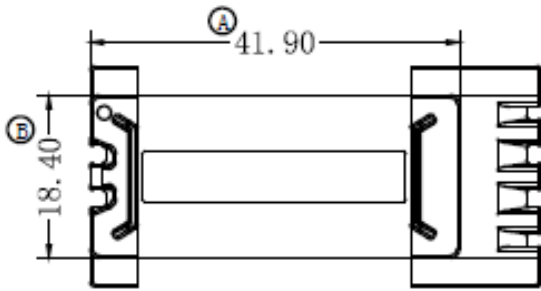
DRAFTED BY	付志良	TOLERANCE		ANGLR: ±1°	MODEL NAME: EDR-2037 (5+4) PIN	
CHECKED BY	吴志权	0<L≤4 ±0.1 4<L≤16 ±0.2 16<L≤63 ±0.3	Pin pitch ±0.20	UNIT:MM	MATERIAL: PHENOLIC	UL REC: UL 94V-0
 盱眙欧歌电子有限公司 XUYI OUGE ELECTRONIC CO.,LTD. TEL: 0086-760-22286356 FAX:0086-760-22286951 Email: sales@ougedianzi.com				SCALE: 1/1	TERMINAL MAT:CP WIRE	PIN TENSION LOAD: 1.0 KGS MIN
					DATE: 2018.05	DRAWING NO:


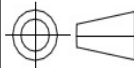


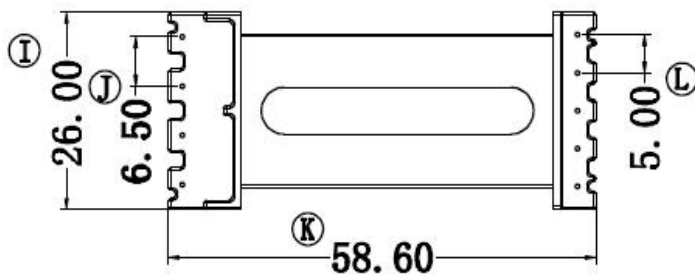
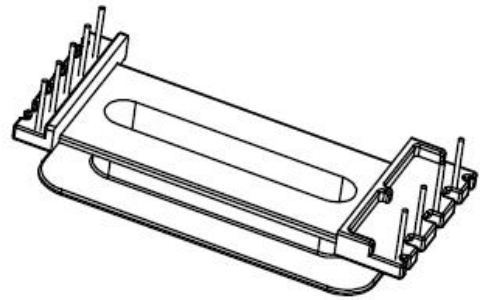
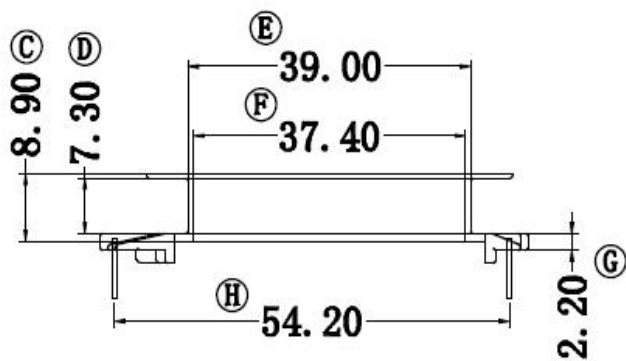
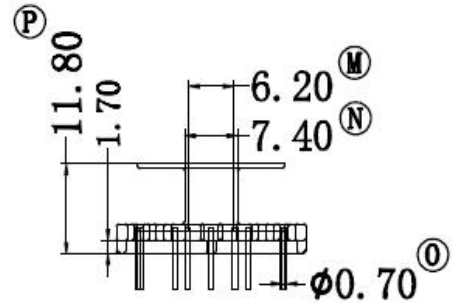
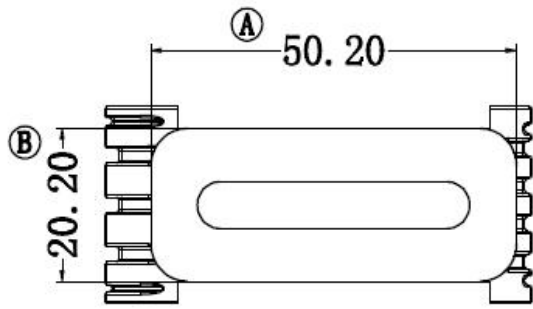
DRAFTED BY	付志良	TOLERANCE		ANGLR: ±1°	MODEL NAME: ED-2037-1 (5+4) PIN		
CHECKED BY	吴志权	0<L≤4 ±0.1 4<L≤16 ±0.2 16<L≤63 ±0.3	Pin pitch ±0.20	UNIT:MM	MATERIAL: PHENOLIC	UL REC: UL 94V-0	
 盱眙欧歌电子有限公司 XUYI OUGE ELECTRONIC CO.,LTD. TEL: 0086-760-22286356 FAX:0086-760-22286951 Email: sales@ougedianzi.com				SCALE: 1/1	TERMINAL MAT:CP WIRE	PIN TENSION LOAD: 1.0 KGS MIN	
					DATE: 2018.05	DRAWING NO:	REV. A



DRAFTED BY	付志良	TOLERANCE		ANGLR: ±1°	MODEL NAME: ED-2514 (5+4) PIN	
CHECKED BY	吴志权	0<L≤4 ±0.1 4<L≤16 ±0.2 16<L≤63 ±0.3	Pin pitch ±0.20	UNIT:MM	MATERIAL: PHENOLIC	UL REC: UL 94V-0
 盱眙欧歌电子有限公司 XUYI OUGE ELECTRONIC CO.,LTD. TEL: 0086-760-22286356 FAX:0086-760-22286951 Email: sales@ougedianzi.com				SCALE: 1/1	TERMINAL MAT:CP WIRE	PIN TENSION LOAD: 1.0 KGS MIN
					DATE: 2018.05	DRAWING NO:



DRAFTED BY	付志良	TOLERANCE		ANGLR: ±1°	MODEL NAME: ED-2630 (5+5+5) PIN	
CHECKED BY	吴志权	0<L≤4 ±0.1 4<L≤16 ±0.2 16<L≤63 ±0.3	Pin pitch ±0.20	UNIT:MM	MATERIAL: PHENOLIC	UL REC: UL 94V-0
 盱眙欧歌电子有限公司 XUYI OUGE ELECTRONIC CO.,LTD. TEL: 0086-760-22286356 FAX:0086-760-22286951 Email: sales@ougedianzi.com				SCALE: 1/1	TERMINAL MAT:CP WIRE	PIN TENSION LOAD: 1.0 KGS MIN
					DATE: 2018.05	DRAWING NO:

DRAFTED
BY

付志良

TOLERANCE

ANGLR:
 $\pm 1^\circ$

MODEL NAME:

EDR-2642 V(4+5) PIN

CHECKED
BY

吴志权

 $0 < L \leq 4 \pm 0.1$
 $4 < L \leq 16 \pm 0.2$
 $16 < L \leq 63 \pm 0.3$
Pin pitch
 ± 0.20

UNIT:MM

MATERIAL:

PHENOLIC

UL REC:

UL 94V-0



盱眙欧歌电子有限公司

XUYI OUGE ELECTRONIC CO.,LTD.

TEL: 0086-760-22286356

FAX:0086-760-22286951

Email: sales@ougedianzi.com

SCALE:

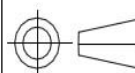
1/1

TERMINAL

MAT:CP WIRE

PIN TENSION LOAD:

1.0 KGS MIN



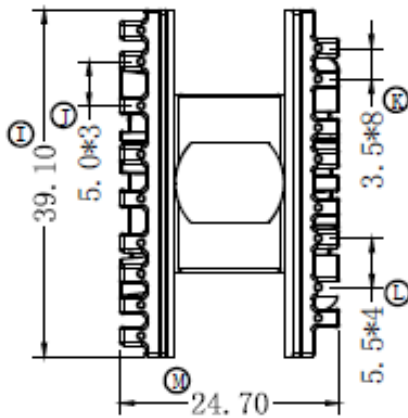
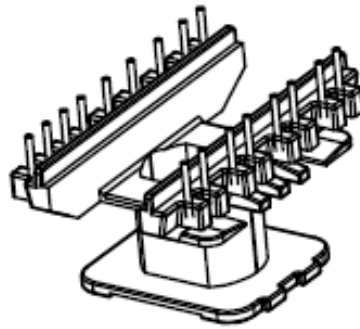
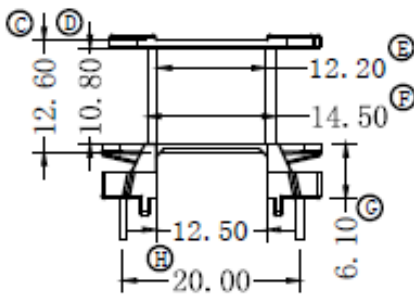
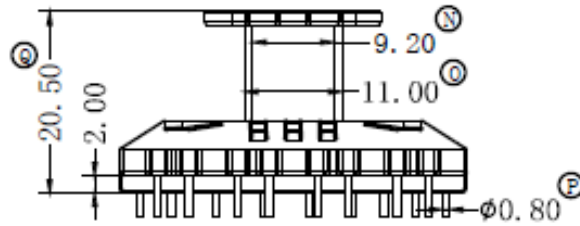
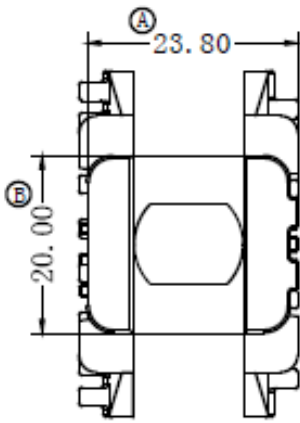
DATE:


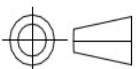
2018.05

DRAWING

NO:

REV. A



DRAFTED BY	付志良	TOLERANCE		ANGLR: ±1°	MODEL NAME: ED-2820 (9+8) PIN	
CHECKED BY	吴志权	0<L≤4 ±0.1 4<L≤16 ±0.2 16<L≤63 ±0.3	Pin pitch ±0.20	UNIT:MM	MATERIAL: PHENOLIC	UL REC: UL 94V-0
 盱眙欧歌电子有限公司 XUYI OUGE ELECTRONIC CO.,LTD. TEL: 0086-760-22286356 FAX:0086-760-22286951 Email: sales@ougedianzi.com				SCALE: 1/1	TERMINAL MAT:CP WIRE	PIN TENSION LOAD: 1.0 KGS MIN
					DATE: 2018.05	DRAWING NO: