

RM CORE

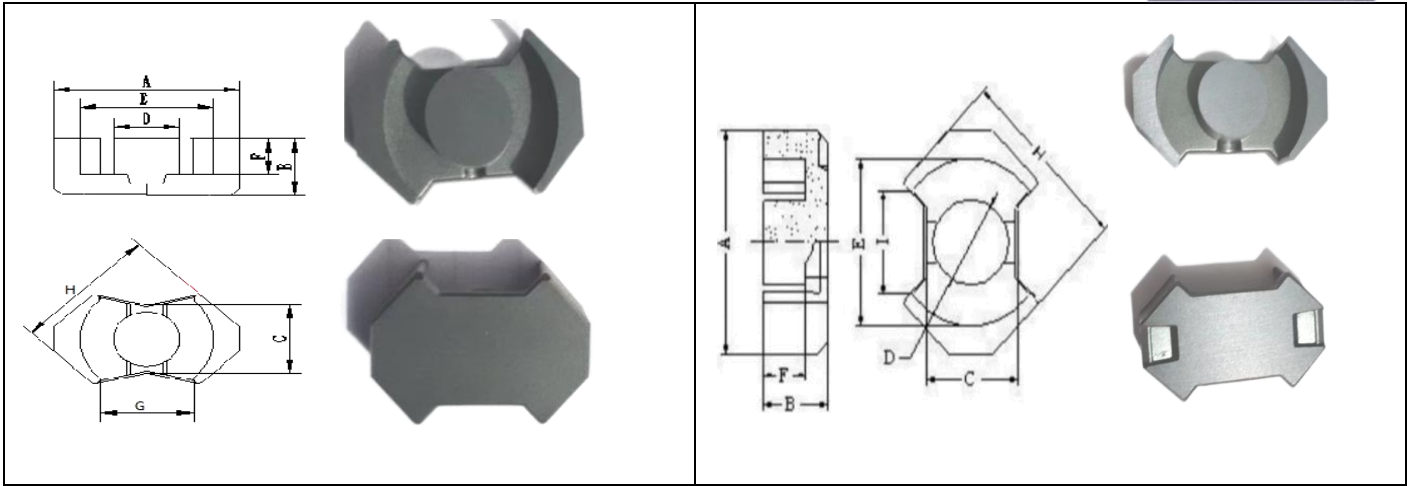


Fig 1

Fig 2

尺寸Size 型号 Type	标准号	图形	A	B	C	D	E	F	G	H	I
	P/N	Fig	mm	mm	mm	mm	mm	mm	mm	mm	mm
RM10/18.7	RM003	1	27.85±0.45	9.35±0.15	13.20±0.35	10.70±0.35	21.75±0.45	6.55±0.15	14.60±0.45	24.20±0.45	-
RM10/19.3B	RM008	2	28.80+0.7/-0.3	9.65±0.15	13.40±0.30	10.65±0.20	22.40min	6.55±0.15	-	24.8±0.40	16.20min
RM6/13.3	RM001	1	18.30±0.30	6.65±0.15	8.10±0.30	6.20±0.20	13.20min	4.65±0.15	9.60min	15.30±0.30	-
RM7/14.3	RM002	1	20.10±0.35	7.15±0.15	11.00±0.30	7.10±0.25	15.55±0.35	4.70±0.15	11.90±0.35	16.90±0.35	-
RM8/16.6	RM004	1	22.75±0.45	8.30±0.15	10.80±0.35	8.40±0.35	17.50±0.45	5.85±0.15	11.80±0.45	19.35±0.45	-
PM18/17.6	PM001	1	17.65±0.30	8.80±0.15	7.00±0.20	6.65±0.20	14.80±0.25	7.05±0.15	10.50min	-	-

RM CORE

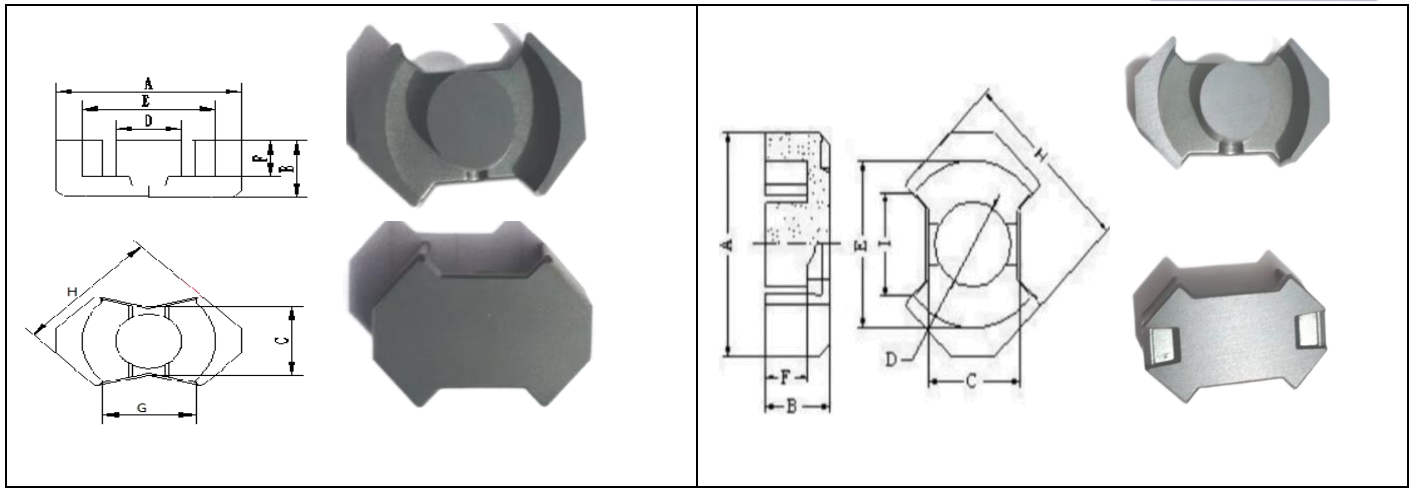


Fig 1

Fig 2

尺寸Size 型号 Type	标准号	图形	Le	Ae	Ve	OGP44	
	P/N	Fig	mm	mm ²	mmm ³	AL	
RM10/18.7	RM003	1	45.2	95.6	4320.8	4000	
RM10/19.3B	RM008	2	50.02	89.09	4455.9	4000	
RM6/13.3	RM001	1	30.5	35.98	1085.99	2300	
RM7/14.3	RM002	1	32.8	43.6	1430	2600	
RM8/16.6	RM004	1	38.8	61	2361.5	3000	
PM18/17.6	PM001	1	45.94	34.73	1595.6	2000	

**CUSTOMIZED PRODUCT ARE ACCEPTABLE
WELCOME TO CONTACT US
www.ougedianzi.com**