

ENGINEERING TO BE OUTSTANDING
ONE-STOP SOLUTION FOR REFRIGERATION EQUIPMENTS



Luther-bach Heat Exchanger Co.,Ltd

Add.: No.1788 Xianhu Road, Shengzhou City, Shaoxing City,
Zhejiang Province, China

Tel: +86-574-87683926

Fax: +86-574-87683927

Mobile: +86 183 6823 8236 +86 138 5839 9959

Email: lb@luther-bach.com lb18@luther-bach.com

Web: www.luther-bach.com



LUTHER-BACH HEAT EXCHANGER CO.,LTD

COLD CHAIN EQUIPMENT SOLUTION PROVIDER

2023 VERSION



COLD CHAIN EQUIPMENT SOLUTION PROVIDER
LUTHER-BACH HEAT EXCHANGER CO.,LTD

WELCOME TO LUTHER-BACH

Luther-bach Heat Exchanger, was founded in 1990, belonging to the commercial refrigeration and refrigeration equipment industry in the refrigeration industry. It is a comprehensive industrial company specialized in researching, manufacturing and trading refrigeration equipment. The company produces and sells condensers, Machine, semi-sealed, all sealed cold compression condensing units, large and medium-sized parallel units, and contractors for the cold storage project.

After nearly 30 years of development, the company has become an important supplier of cold chain refrigeration equipment in China with a building area of 100,000 square and an annual production capacity of 500,000 sets of refrigeration equipment and various kinds of refrigeration equipment and products. The solutions provided have gained widespread industry acceptance and trust.

Luther-Bach company is a national high-tech enterprise, China Warehousing Association member units, responsible for and participated in the national standard "cooling air cooler" (GB / T25129-2010) formulation. The combined cold storage produced by the Company has become the agricultural machinery promotion product designated by the Ministry of Agriculture and Zhejiang Provincial Department of Agriculture. The agricultural cold storage project below 1,000 cubic can be subsidized by the local government according to the government.

Luther-Bach company focused on product frequency conversion, low energy efficient refrigeration technology research and application in this field has 38 core inventions, utility model patents, won the China Machinery Industry Science and Technology Award two prize, in food preservation, preservation, Shelf-friendly technology in the industry. Companies and tertiary institutions and research institutes in the biological samples cryogenic preservation, ultra-low temperature crushing project, marine cryogenic deep processing and preservation of complete sets of cold-chain technology, refrigerant refrigerant and green refrigerant technology for a wide range of research carried out And application, together to create low-temperature technology and engineering production, learning, research base.

"Advocate energy conservation, environmental protection, sharing ideas." Luther-Bach in the future development of the company will actively respond to the national call for energy-saving emission reduction, comply with the global requirements for low-carbon life, closely around the country's "agricultural cold chain logistics development plan" Courage to innovate, keep improving, ensure product quality, keep accelerating product technology upgrade.

International Authoritative Certification
Professional Quality Guarantee



Contents

LES/LESL Dual Discharge Air-coolers	02-04
LEDE Cabinets Air-coolers	05-05
LED Standard Air-coolers	06-14
LEDS Water Defrosting Air-coolers	15-16
LCH H Type Air Cooled Condenser	19-22
LCU Box Type U Shape Air Cooled Condenser	23-23
LCF Flat-Plate Air Cooled Condensers	24-27
LCV/LCVB V Type Air Cooled Condensers	28-30
Hermetic Compressor Outdoor Box Type Condensing Unit	32-33
Hermetic Compressor Indoor Air Cooled Units	34-39
Hermetic Compressor Water Cooled Units	40-43
Semi-Hermetic Compressor Air Cooled Units	44-46
Semi-Hermetic Compressor Water Cooled Units	47-48
Two-stage Semi-Hermetic Compressor Air Cooled Units	49-50
Two-stage Semi-hermetic Compressor Water Cooled Units	51-52
Piston Compressor Parallel Units	53-61
Screw Compressor Units	62-75

More Food Health
More Quality Assurance

AIR-COOLER SERIES



Dual Discharge Air-cooler



Products features

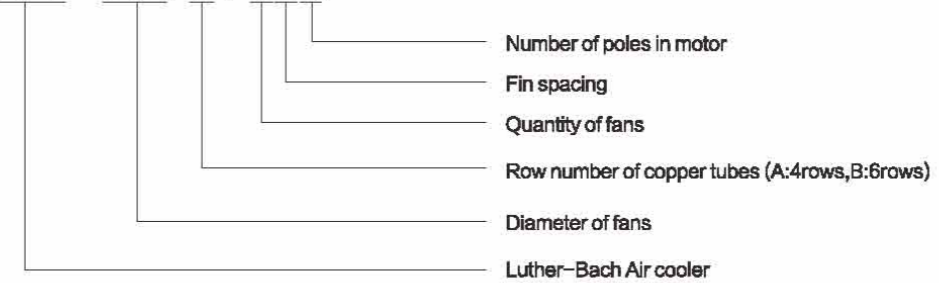
LE series dual discharge air-cooler is one kind of storage cooling equipment used in food operating and processing workshops. Air comes out on two directions, and air supply is soft. Therefore, it is applicable to about 8℃ cold storages. If the room temperature below 8℃, need to install defrosting heater.

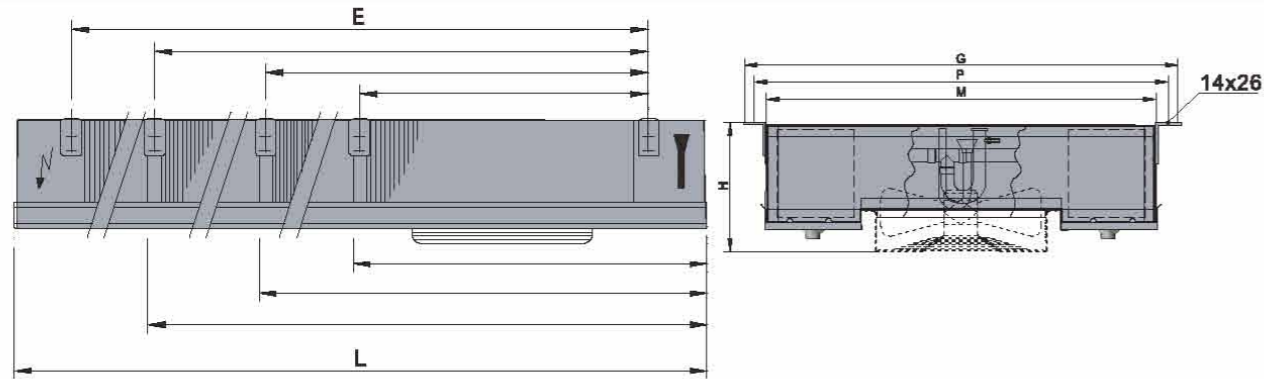
This series product is equipped with features as follows

- The shell is made of aluminum plate; sprayed plastic surface is anti-corrosive, and its appearance is handsome.
- Coiled pipes are mechanical expanding tubes in staggered arrangement; therefore, copper tubes and aluminum she ets are combined closely and ensure good effect of heat exchange.
- External rotor motor realizes bilateral air blowing, soft air supply and low noise.
- For special-purpose products, please contact sales agencies of Luther-Bach.

Model description:

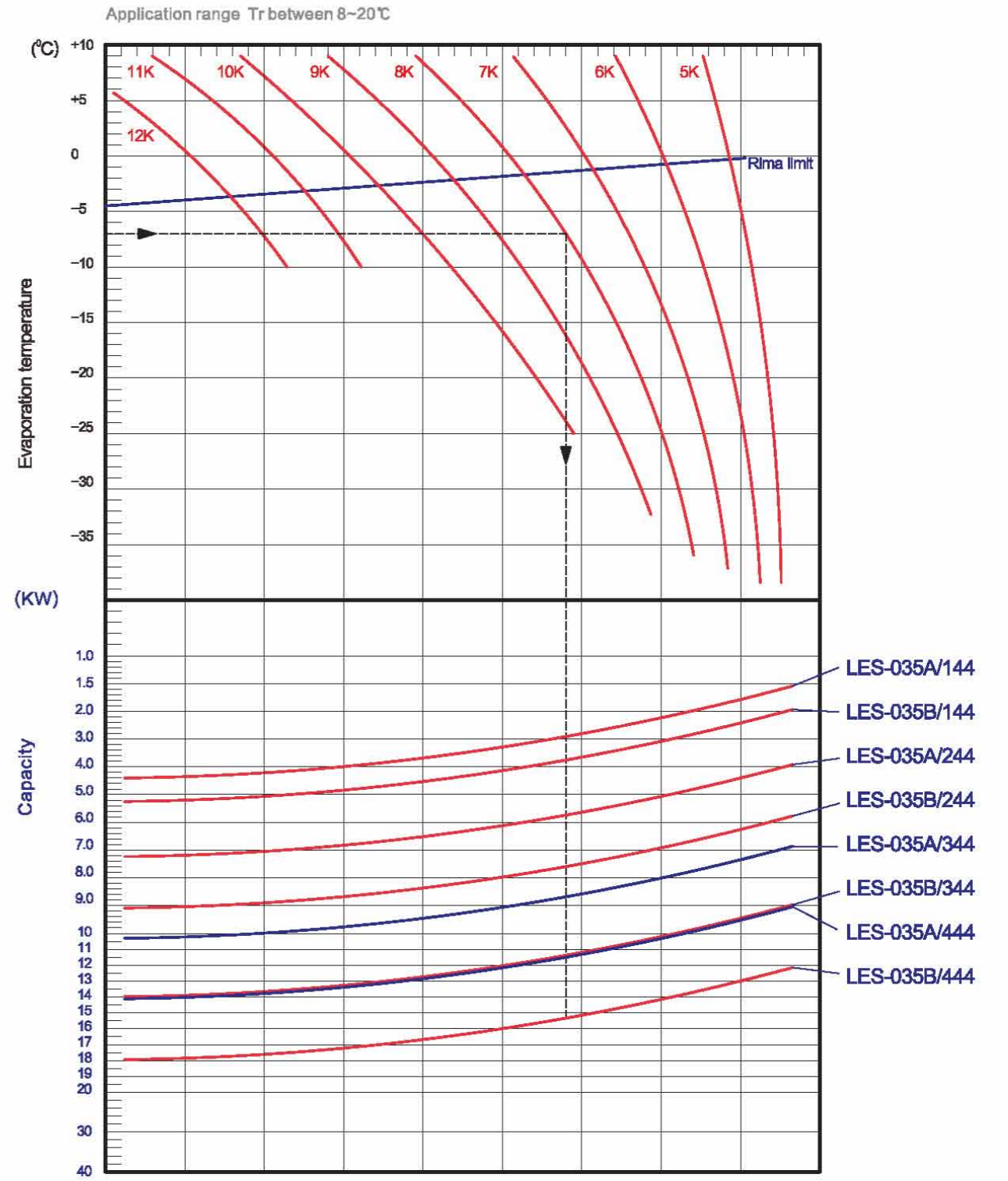
LE - 035 B / 444



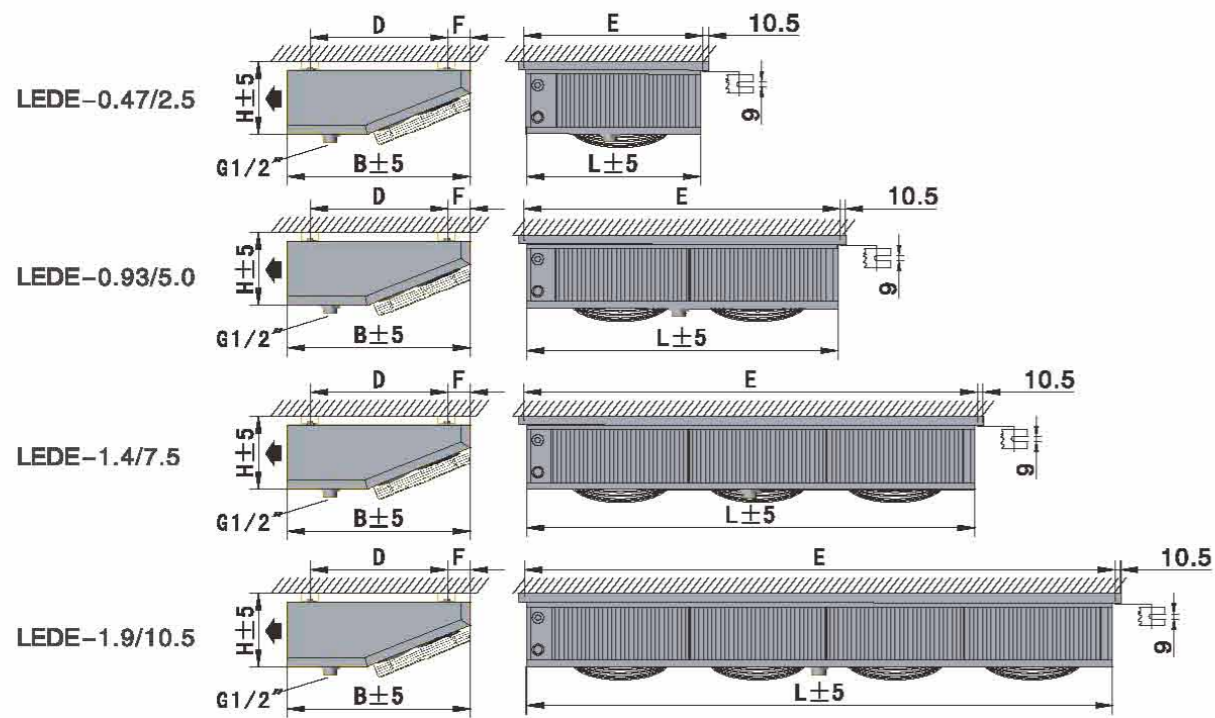


型号 Model	换热面积 Heat-exchange Area Δt=6K m ²	制冷量 Refrigerating capacity Temperature of storage 0°C KW	风机 Fan								尺寸 Dimensions						接口 Coupling		重量 Weight Kg	铜管直径 Diameter of copper tube Φ9.52 L	备注 Notes
			风量 Air volume m ³ /h	静压 Static pressure Pa	风机数量 Quantity of Fans N	风量 Air volume m ³ /h	噪音 Noise db(A)	射程 Range m	电机额定参数 (四级) Rated parameters of motor(Quadruple) W A	L	E	G	P	M	H	进口 Inlet mm	出口 Outlet mm				
																		风量 Air volume m ³ /h			
LES-035A/144	13.5	2.86	350	40	1	2000	64	2×6	129	0.4A/380V	905	660	950	900	850	300	12	19	31	2.3	
LES-035B/144	20.2	3.76	350	40	1	2000	64	2×5	129	0.4A/380V	905	660	950	900	850	300	16	19	35	3.4	
LES-035A/244	26.3	5.74	350	40	2	2×2000	67	2×6 2×129	0.4A/380V	1505	1260	950	900	850	300	16	28	56	4.3	用外转 子电机 和可提 供非标 设计	
LES-035B/244	39.5	7.58	350	40	2	2×2000	67	2×5 2×129	0.4A/380V	1505	1260	950	900	850	300	16	28	67	6.4		
LES-035A/344	39.2	8.64	350	40	3	3×2000	69	2×6 3×129	0.4A/380V	2105	1860	950	900	850	300	16	28	81	6.2		
LES-035B/344	58.7	11.40	350	40	3	3×2000	69	2×5 3×129	0.4A/380V	2105	1860	950	900	850	300	16	28	91	9.3		
LES-035A/444	52.0	11.49	350	40	4	4×2000	70	2×6 4×129	0.4A/380V	2705	2460	950	900	850	300	16	28	106	8.2		
LES-035B/444	78.0	15.32	350	40	4	4×2000	70	2×5 4×129	0.4A/380V	2705	2460	950	900	850	300	16	28	130	12.3		

型号 Model	换热面积 Heat-exchange Area Δt=6K m ²	制冷量 Refrigerating capacity Temperature of storage 0°C KW	风机 Fan								尺寸 Dimensions						接口 Coupling		重量 Weight Kg	铜管直径 Diameter of copper tube Φ9.52 L	备注 Notes
			风量 Air volume m ³ /h	静压 Static pressure Pa	风机数量 Quantity of Fans N	风量 Air volume m ³ /h	噪音 Noise db(A)	射程 Range m	电机额定参数 (四级) Rated parameters of motor(Quadruple) W A	L	E	G	P	M	H	进口 Inlet mm	出口 Outlet mm				
																		风量 Air volume m ³ /h			
LESL-60	60	12.6	400	60	2	2×3100	70	2×5 2×180	0.47A/380V	1380	1140	1004	963	900	385	16	25	75	9.5		
LESL-80	80	16.8	400	60	3	3×3100	72	2×5 3×180	0.47A/380V	1810	1540	1004	963	900	385	19	32	100	12.7		
LESL-100	100	21	400	60	3	3×3100	72	2×5 3×180	0.47A/380V	2110	1840	1004	963	900	385	19	32	115	15.1	用外转 子电机 和可提 供非标 设计	
LESL-120	120	25.2	400	60	4	4×3100	73	2×5 4×180	0.47A/380V	2510	2240	1004	963	900	385	19	35	130	18.2		
LESL-140	140	29.4	400	60	4	4×3100	73	2×5 4×180	0.47A/380V	2830	2560	1004	963	900	385	19	35	148	20.8		
LESL-160	160	36.6	450	60	3	3×4500	74	2×6 3×250	0.55A/380V	2620	2350	1154	1113	1050	385	19	35	144	23.9		
LESL-180	180	37.8	450	60	4	4×4500	75	2×6 4×250	0.55A/380V	2910	2640	1154	1113	1050	385	25	42	186	26.8		
LESL-210	210	44.1	450	60	5	5×4500	76	2×6 5×250	0.55A/380V	3310	3040	1154	1113	1050	385	25	42	202	30.7		



Technical Parameters of Dual discharge Air-cooler



型号 Model	产冷量 Refrigerating capacity		蒸发面积 Evaporating area	风机 Fan								冷媒进/出管 Inlet/Outlet of Refrigerant Tube		电热融霜 Electrical Heater	备注 Note	
	柜温 Temperature of cabinet +2℃ Δt=8K	柜温 Temperature of cabinet -5℃ Δt=8K		风量 Air volume	射程 Range	排管容积 Volume of staggered pipe	风扇直径 Diameter of fan	数量 Quantity	电压 Voltage	转速 Speed of rotation	功率 Power	电流 Electric current	进液口 Liquid inlet φ	回气口 Air return vent φ		220/50Hz 功率 Power
	W	W		m³/h	m	dm³	mm	N	V	PRM	W	A	mm	mm		W
LEDE-0.47/2.5	465	372	2.75	400	4	0.7	φ200	1	230±10%	1300	29	0.20	10	14	300	
LEDE-0.93/5.0	930	744	5.2	800	4	1.3	φ200	2		1300	29	0.20	10	14	600	
LEDE-1.4/7.5	1395	1116	7.4	1200	4	1.9	φ200	3		1300	29	0.20	10	14	900	
LEDE-1.9/10.5	1855	1465	10.5	1600	4	2.7	φ200	4		1300	29	0.20	10	14	1200	

型号 Model	冷柜内容积 Internal volume of refrigerator	柜温 Temperature of cabinet	制冷机组功率 Power of refrigerating unit of cabinet	电源 Power supply	安装尺寸 Mounting dimensions						
	m³	℃	HP		长L mm	宽B mm	高H mm	A mm	D mm	E mm	F mm
LEDE-0.47/2.5	0.3-0.4	0~10	1/3	220	380	400	160	475	300	394	50
		-20	1								
LEDE-0.93/5.0	0.5	0~+5	1/2	220	680	400	160	775	300	694	50
		0~20	3/4								
		-20	1.5								
LEDE-1.4/7.5	1.0	0~+5	1	220	980	400	160	1075	300	994	50
		0	3/4								
		-20	2								
LEDE-1.9/10.5	1.5	0~+5	1.5	220	1280	400	160	1375	300	1294	50
		0	1								



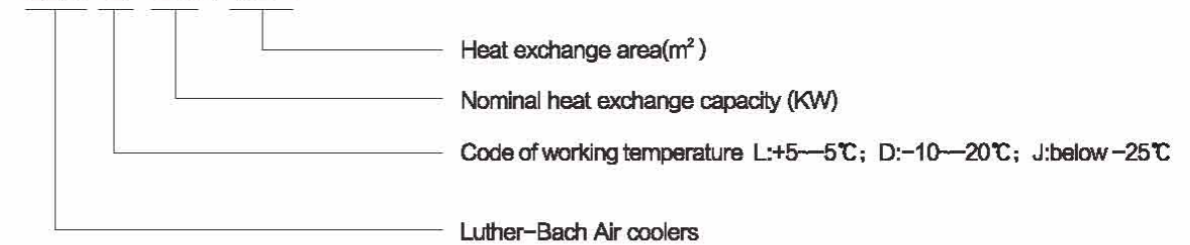
Products features

LED-series Air-cooler is one kind of storage cooling equipment used in freon refrigerating, according to applicable temperature, there are 3 series including LEDL, LEED and LEDJ, which can be used at different storage temperatures. LEDL type air-cooler is mainly applicable to about 0℃ fresh-preserved storages; LEED type air-cooler is mainly applicable to about -18℃ cold storages; LEDJ type cooling fan is mainly applicable to quick-freezing storages below -25℃.

This series product is equipped with features as follows

- This kind of air-cooler is specially designed for preservation, refrigeration and cold storages;
- The shell is made of quality steel plate; sprayed plastic surface is anti-corrosive, and its appearance is handsome;
- Coiled pipes are mechanical expanding tubes in staggered arrangement; therefore, copper tubes and aluminum sheets are combined closely, and ensure good effect of heat exchange.
- Electrical heating tubes made of good stainless steel are distributed evenly in coiled pipes, and thus ensure excellent defrosting effect. electrical heating tubes are defrosted by closely connecting electrical aluminum bushing and holes of fins as a result, heat is dissipated easily, and thus fan boasts long service life.
- The design width of this cooling fan is reasonable, space between fan blade and aluminum fin is larger than 1/3 diameter of fan blade in order to ensure sufficient effective air volume;
- Long-distance air supply ducts can be used according to customers' requirements;
- For special-purpose products, please contact agencies of Luther-Bach.

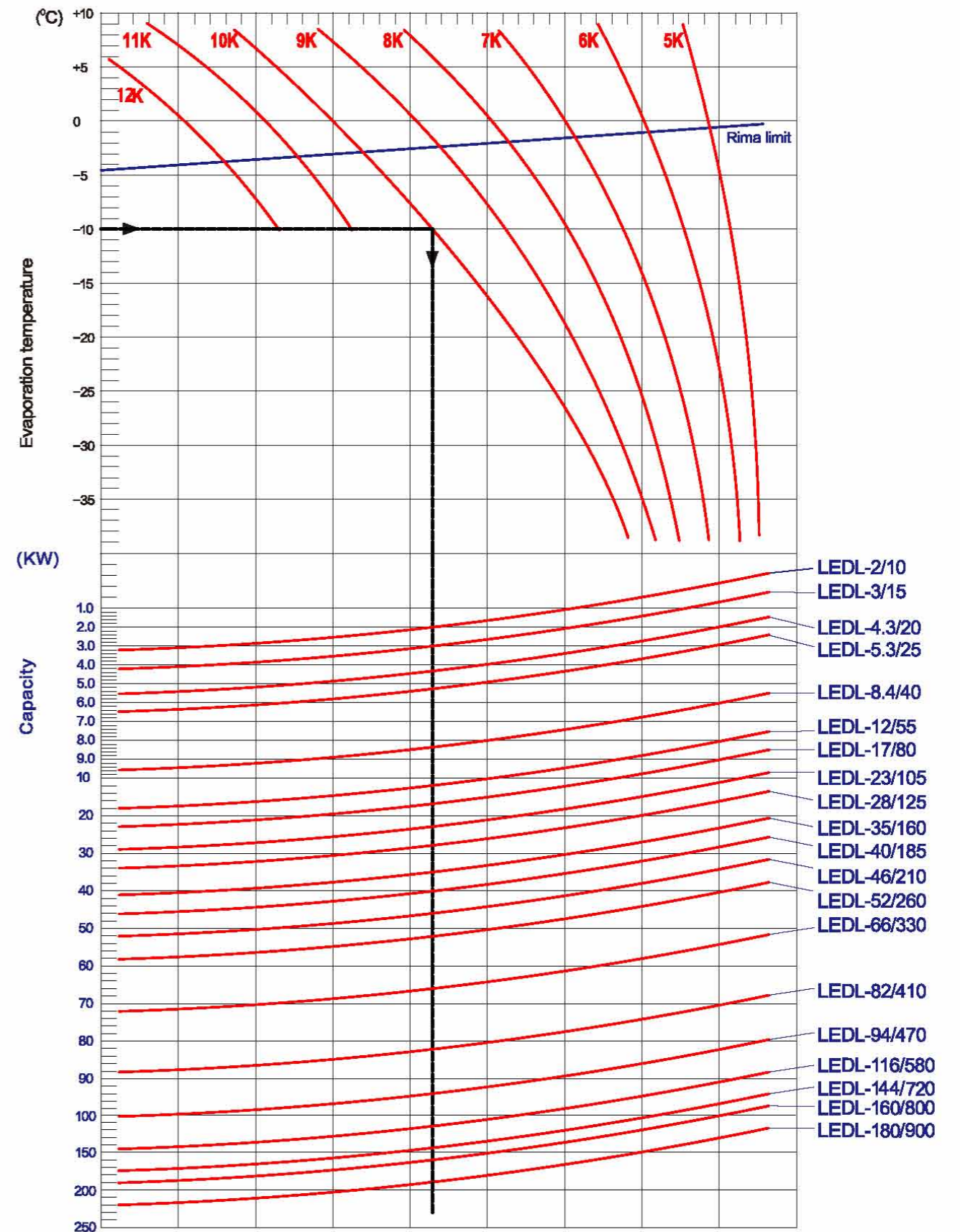
LED L - 28 / 125



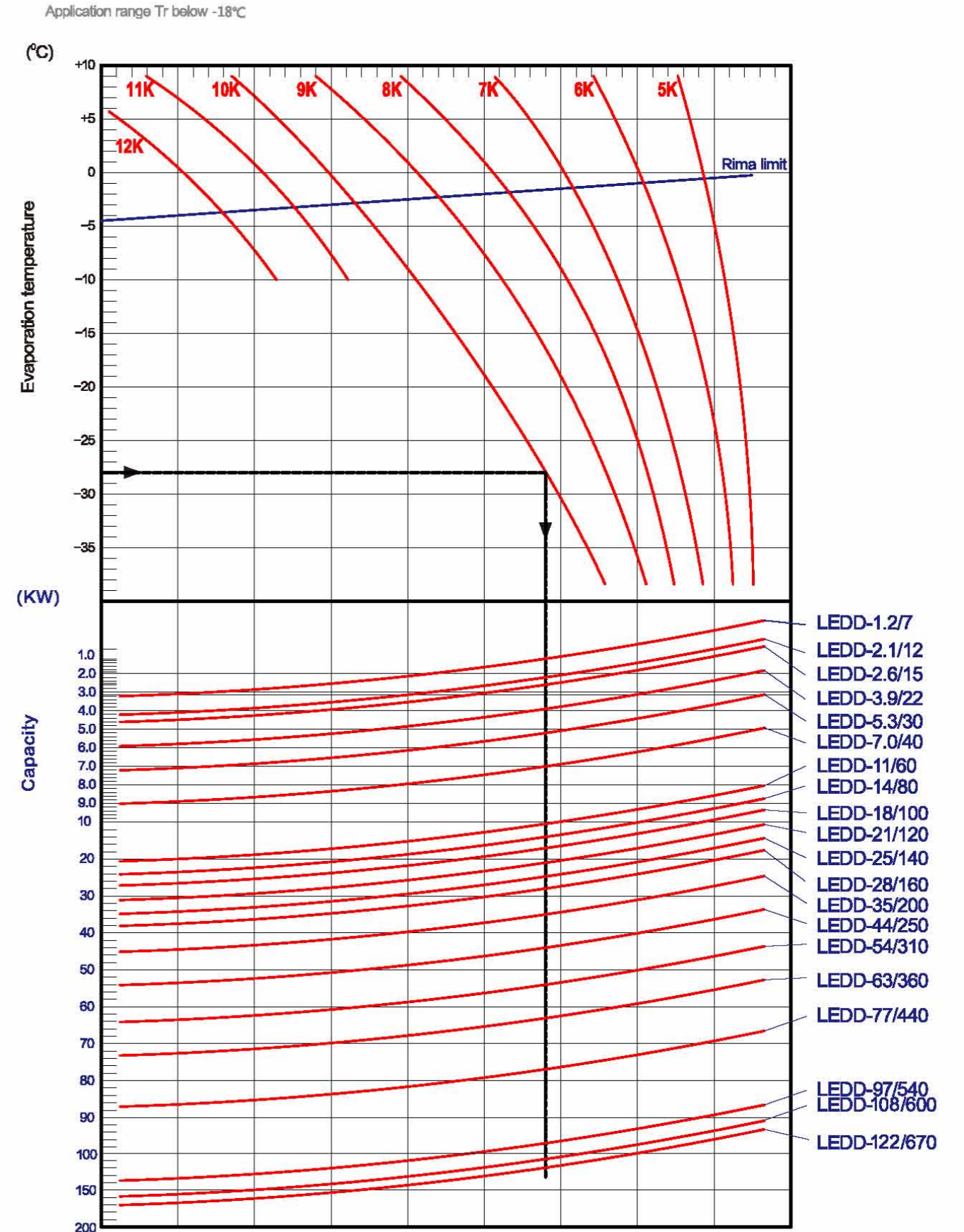
*When Tr=25°C and Δt=10°C, R134a energy should multiply correction factor f, that is QoR134a=QoR22 X f.

型号 Model	产冷量 Refrigerating capacity	名义面积 Nominal area	管容 Volume	冷媒进/出管 Inlet/Outlet of Refrigerant Tube	风机 Fan							电热融霜 Electrical Heater		备注 Note
					风量 Air volume	静压 Static Pressure	数量 Quantity	风扇 直径 Diameter of fan	电压 Voltage	功率 Power	射程 Range	翅片 融霜 功率 Power of defrosting in Fine	接水盘 功率 Power of defrosting in Drain Pan	
	库温0°C Δt=10°C Temperature of Storage 0°C	W	m ²	L	mm	m ³ /h	Pa	N	mm	V	W	m	W	
高温片距: 4.5mm High-temperature fin space 4.5mm														
LEDL-2/10	2000	10	1.4	Φ12/Φ14	1160	60	1	300	380	75	8	500	500	
LEDL-3/15	3000	15	1.8	Φ12/Φ14	2320	60	2	300	380	2×75	8	900	900	
LEDL-4.3/20	4260	20	2.7	Φ12/Φ16	2320	60	2	300	380	2×75	8	900	900	
LEDL-5.3/25	5325	25	3.5	Φ12/Φ16	3480	60	3	300	380	3×75	8	1200	1200	
LEDL-8.4/40	8400	40	5.8	Φ16/Φ25	6200	60	2	400	380	2×180	10	1000	1000	
LEDL-12/55	11550	55	7.6	Φ16/Φ25	6200	60	2	400	380	2×180	10	1200	1200	
LEDL-17/80	16800	80	10.1	Φ19/Φ32	10600	80	2	500	380	2×449	15	2800	1400	
LEDL-23/105	23200	105	13.5	Φ19/Φ32	10600	80	2	500	380	2×449	15	4200	1400	
LEDL-28/125	27600	125	17.3	Φ19/Φ38	15900	80	3	500	380	3×449	15	4800	1600	
LEDL-35/160	34640	160	19.6	Φ19/Φ38	15900	80	3	500	380	3×449	15	5100	1700	用外转子 电机即可提 供非标设计
LEDL-40/185	40320	185	22.7	Φ25/Φ42	21200	80	4	500	380	4×449	15	6000	2000	
LEDL-46/210	46080	210	25.8	Φ25/Φ42	21200	80	4	500	380	4×449	15	6600	2200	
LEDL-52/260	52000	260	32.2	Φ25/Φ50	21200	80	4	500	380	4×449	15	6600	2200	
LEDL-66/330	66000	330	41.9	Φ25/Φ50	28000	100	4	550	380	4×670	15	11000	2200	
LEDL-82/410	82000	410	51.6	Φ25/Φ50	24600	120	4	600	380	3×825	17	13600	1700	
LEDL-94/470	94000	470	62.2	Φ25/Φ54	26700	120	3	630	380	3×937	17	16000	2000	
LEDL-116/580	116000	580	72.8	Φ28/Φ54	26700	120	3	630	380	3×937	17	17600	2200	
LEDL-144/720	144000	720	87	Φ28/Φ54	35600	120	4	630	380	4×937	17	22400	2800	
LEDL-160/800	160000	800	97	Φ32/Φ67	35600	120	4	630	380	4×937	17	22400	2800	
LEDL-180/900	180000	900	109	Φ32/Φ67	41000	120	5	600	380	5×825	17	39200	2800	

Application range Tr between 0~20°C

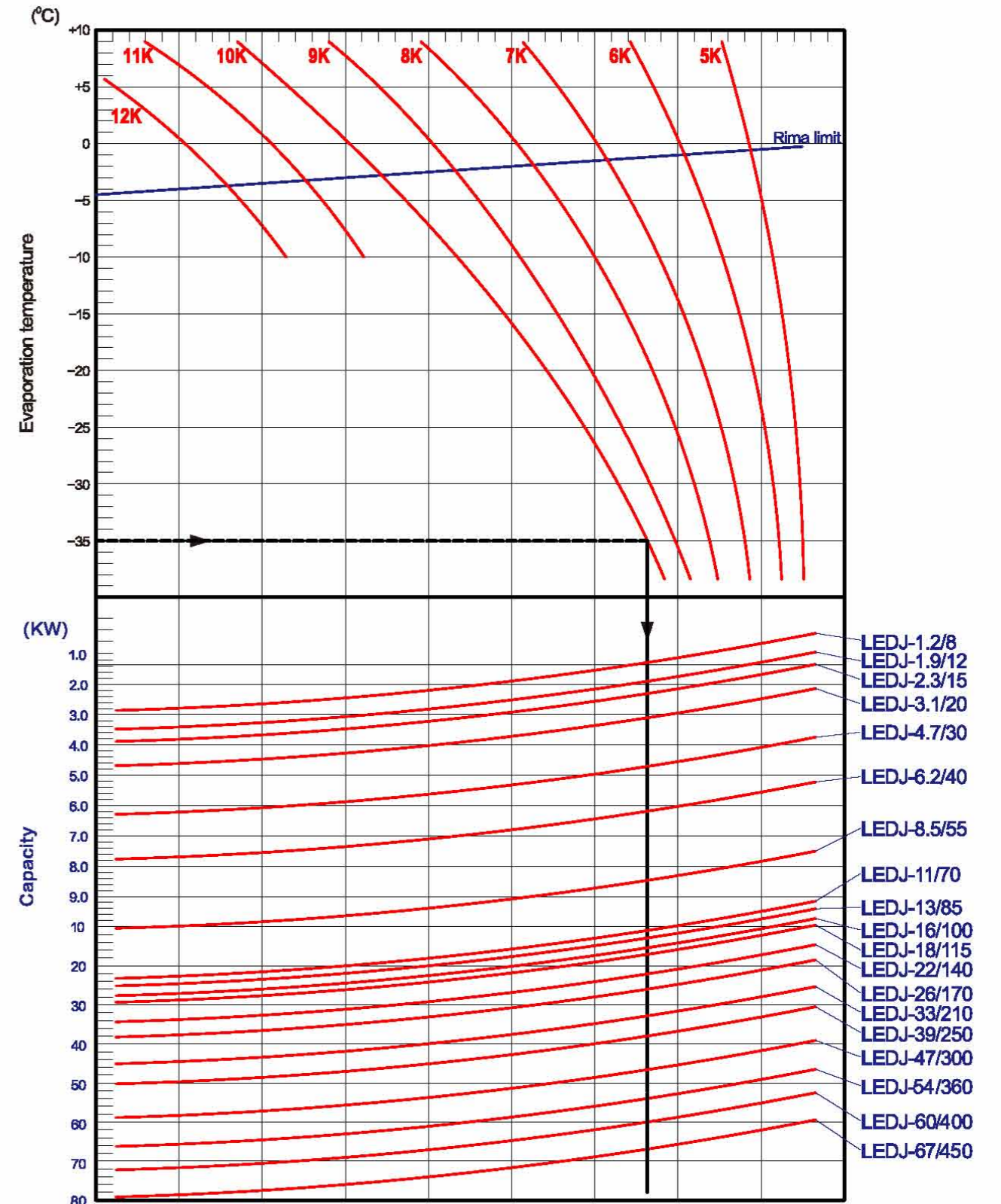


型号 Model	产冷量 Refrigerating capacity	名义面积 Nominal area	管容 Volume	冷媒进/出管 Inlet/Outlet of Refrigerant Tube	风机 Fan							电热融霜 Electrical Heater		备注 Note
	库温-18°C △t=10°C Temperature of Storage -18°C				风量 Air volume	静压 Static Pressure	数量 Quantity	风扇直径 Diameter of fan	电压 Voltage	功率 Power	射程 Range	融霜功率 Power of defrosting in Fan	接水盘功率 Power of defrosting in Drain Pan	
中温片距: 6mm Medium-temperature fin space 6mm														
LEDD-1.2/7	1225	7	1.4	Φ12/Φ14	1160	60	1	300	380	75	8	1000	500	
LEDD-2.1/12	2100	12	1.8	Φ12/Φ14	2320	60	2	300	380	2×75	8	900	900	
LEDD-2.6/15	2625	15	2.7	Φ12/Φ16	2320	60	2	300	380	2×75	8	1800	900	
LEDD-3.9/22	3850	22	3.5	Φ12/Φ16	3480	60	3	300	380	3×75	8	2400	1200	
LEDD-5.3/30	5250	30	5.8	Φ16/Φ25	6200	60	2	400	380	2×180	10	2000	1000	
LEDD-7.0/40	7000	40	7.6	Φ16/Φ25	6200	60	2	400	380	2×180	10	2400	1200	
LEDD-11/60	10500	60	10.1	Φ19/Φ32	10600	80	2	500	380	2×449	15	4200	1400	
LEDD-14/80	14000	80	13.5	Φ19/Φ32	10600	80	2	500	380	2×449	15	7000	1400	
LEDD-18/100	17500	100	17.3	Φ19/Φ38	15900	80	3	500	380	3×449	15	8000	1600	
LEDD-21/120	21000	120	19.6	Φ19/Φ38	15900	80	3	500	380	3×449	15	8500	1700	用外转子电机和可提供非标设计
LEDD-25/140	24500	140	22.7	Φ25/Φ42	21200	80	4	500	380	4×449	15	10000	2000	
LEDD-28/160	28000	160	25.8	Φ25/Φ42	21200	80	4	500	380	4×449	15	11000	2200	
LEDD-35/200	35000	200	32.2	Φ25/Φ50	21200	80	4	500	380	4×449	15	11000	2200	
LEDD-44/250	43750	250	41.9	Φ25/Φ50	28000	100	4	550	380	4×670	15	17600	2200	
LEDD-54/310	54250	310	51.6	Φ25/Φ50	24600	120	3	600	380	3×825	17	18700	1700	
LEDD-63/360	63000	360	62.2	Φ25/Φ54	26700	120	3	630	380	3×937	17	22000	2000	
LEDD-77/440	77000	440	72.8	Φ28/Φ54	26700	120	3	630	380	3×937	17	24200	2200	
LEDD-97/540	97200	540	87	Φ28/Φ54	35600	120	4	630	380	4×937	17	30800	2800	
LEDD-108/600	108000	600	97	Φ32/Φ67	35600	120	4	630	380	4×937	17	30800	2800	
LEDD-122/670	122000	670	109	Φ32/Φ67	41000	120	5	600	380	5×825	17	39200	2800	



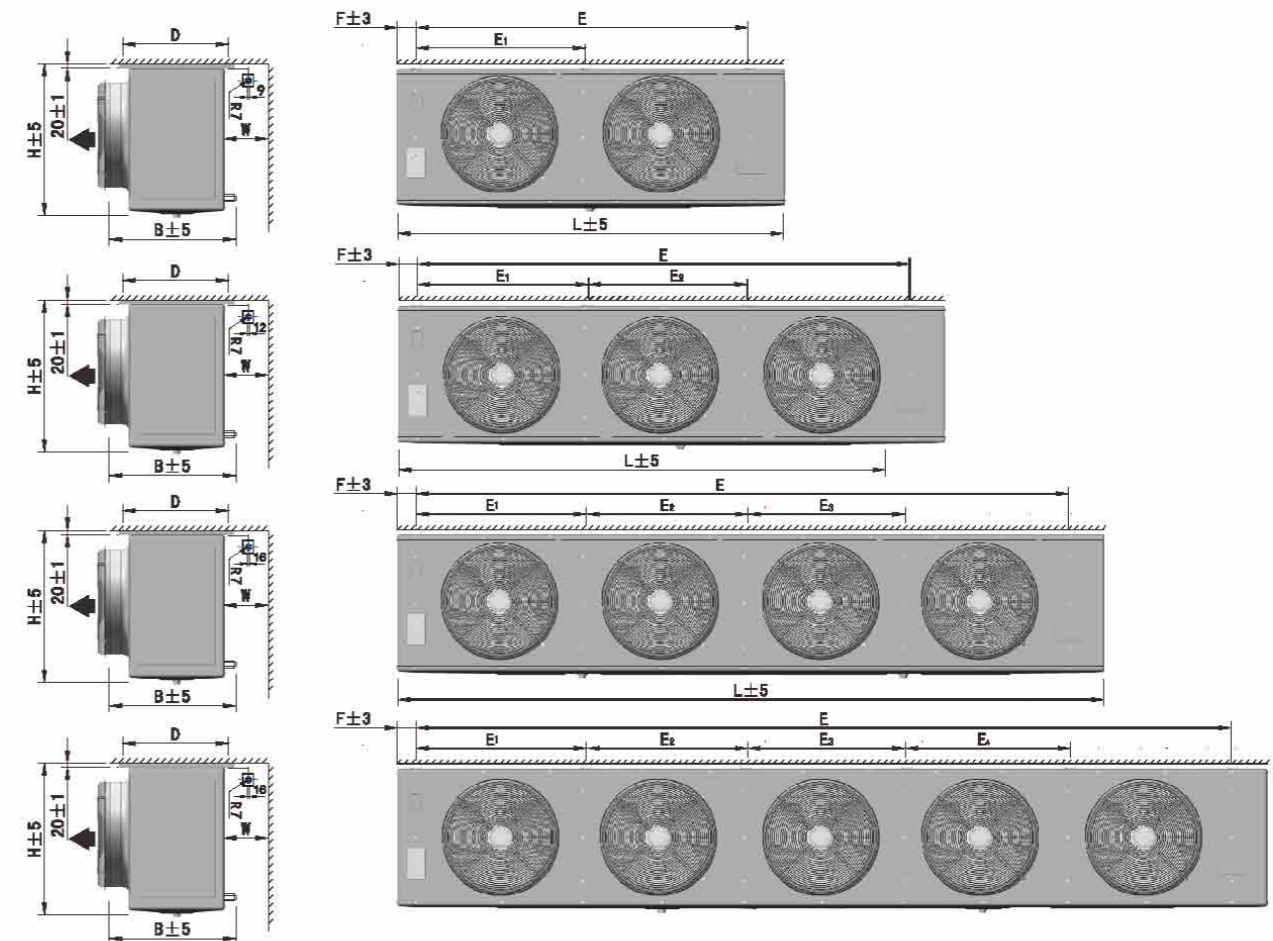
型号 Model	产冷量 Refrigerating capacity 库温-25°C Δt=10°C Temperature of Storage-26°C	名义面积 Nominal area	管容 Volume	冷媒进/出管 Inlet/Outlet of Refrigerant Tube	风机 Fan							电热融霜 Electrical Heater		备注 Notes
					风量 Air volume	静压 Static Pressure	数量 Quantity	风扇直径 Diameter of fan	电压 Voltage	功率 Power	射程 Range	翅片融霜功率 Power of defrosting in Fins	接水盘功率 Power of defrosting in Drain Pan	
					m³/h	Pa	N	mm	V	W	m	W	W	
低温片距:9.0mm Low-temperature fin space 9.0mm														
LEDJ-1.2/8	1240	8	1.8	Φ12/Φ14	2320	60	2	300	380	2×75	8	900	900	
LEDJ-1.9/12	1860	12	2.7	Φ12/Φ16	2320	60	2	300	380	2×75	8	1800	900	
LEDJ-2.3/15	2325	15	3.5	Φ12/Φ16	3480	60	3	300	380	3×75	8	2400	1200	
LEDJ-3.1/20	3100	20	5.8	Φ16/Φ25	6200	60	2	400	380	2×180	10	2000	1000	
LEDJ-4.7/30	4650	30	7.6	Φ16/Φ25	6200	60	2	400	380	2×180	10	2400	1200	
LEDJ-6.2/40	6200	40	10.1	Φ19/Φ32	10600	80	2	500	380	2×449	15	4200	1400	
LEDJ-8.5/55	8525	55	13.5	Φ19/Φ32	10600	80	2	500	380	2×449	15	7000	1400	
LEDJ-11/70	10850	70	17.3	Φ19/Φ38	15900	80	3	500	380	3×449	15	8000	1600	
LEDJ-13/85	13175	85	19.6	Φ19/Φ38	15900	80	3	500	380	3×449	15	8500	1700	
LEDJ-16/100	15500	100	22.7	Φ25/Φ42	21200	80	4	500	380	4×449	15	10000	2000	用外转子电机和非标设计
LEDJ-18/115	17825	115	25.8	Φ25/Φ42	21200	80	4	500	380	4×449	15	11000	2200	
LEDJ-22/140	21700	140	32.2	Φ25/Φ50	21200	80	4	500	380	4×449	15	11000	2200	
LEDJ-26/170	26350	170	41.9	Φ25/Φ50	28000	100	4	550	380	4×670	15	17600	2200	
LEDJ-33/210	32550	210	51.6	Φ25/Φ50	24600	120	3	600	380	3×825	17	18700	1700	
LEDJ-39/250	38750	250	62.2	Φ25/Φ54	26700	120	3	630	380	3×937	17	22000	2000	
LEDJ-47/300	46500	300	72.8	Φ28/Φ54	26700	120	3	630	380	3×937	17	24200	2200	
LEDJ-54/360	54000	360	87	Φ28/Φ54	35600	120	4	630	380	4×937	17	30800	2800	
LEDJ-60/400	60000	400	97	Φ32/Φ67	35600	120	4	630	380	4×937	17	30800	2800	
LEDJ-67/450	67500	450	109	Φ32/Φ67	41000	120	5	600	380	5×825	17	39200	2800	

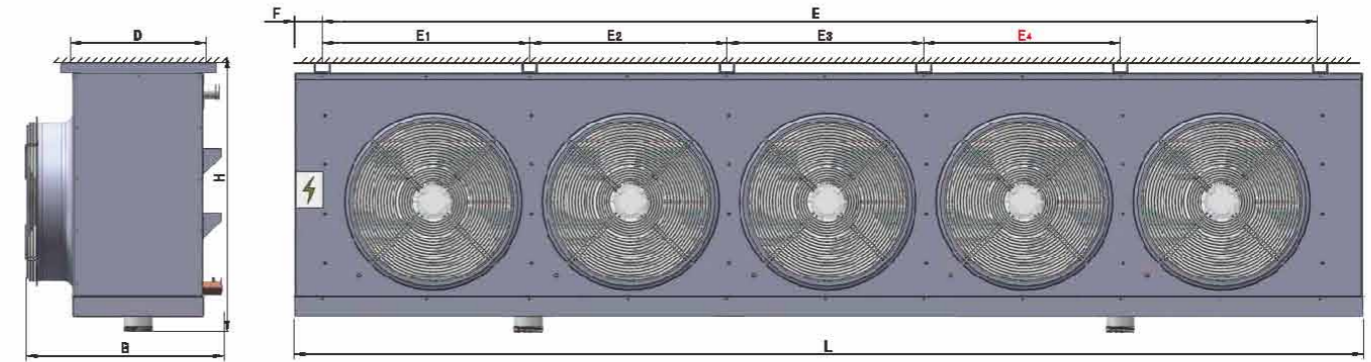
Application range Tr below -25°C



型号 Model	长 Length	宽 Width	高 Height	吊顶安装孔位置尺寸 position dimension of suspended-ceiling mounting hole						排水接管外径 External diameter of connecting drain pipe	间距 Space W
	L	B	H	D	E	E ₁	E ₂	E ₃	F		
LEDL-2/10	730	450	353	340	510				105	G1"	300
LEDD-1.2/7											
LEDL-3/15											
LEDD-2.1/12	1280	450	353	340	1060				105	G1"	300
LEDJ-1.2/8											
LEDL-4.3/20											
LEDD-2.6/15	1280	450	353	340	1060				105	G1"	300
LEDJ-1.9/12											
LEDL-5.3/25											
LEDD-3.9/22	1580	450	353	340	1360				105	G1"	300
LEDJ-2.3/15											
LEDL-8.4/40											
LEDD-5.3/30	1390	560	393	380	1110				125	G1"	350
LEDJ-3.1/20											
LEDL-12/55											
LEDD-7.0/40	1760	560	393	380	1480				125	G1"	350
LEDJ-4.7/30											
LEDL-17/80											
LEDD-11/60	1930	680	525	510	1650	840			125	G1"	400
LEDJ-6.2/40											
LEDL-23/105											
LEDD-14/80	1930	680	525	510	1650	840			125	G1"	450
LEDJ-8.5/55											
LEDL-28/125											
LEDD-18/100	2430	680	525	510	2150	740	700		125	G1"	450
LEDJ-11/70											
LEDL-35/160											
LEDD-21/120	2730	680	525	510	2450	840	800		125	G1"	500
LEDJ-13/85											
LEDL-40/185											
LEDD-25/140	3130	680	525	510	2850	740	700	700	125	G1"	500
LEDJ-16/100											
LEDL-46/210											
LEDD-28/160	3530	680	525	510	3250	840	800	800	125	G1.5"	500
LEDJ-18/115											
LEDL-52/260											
LEDD-35/200	3530	680	525	580	3250	840	800	800	125	G1.5"	500
LEDJ-22/140											
LEDL-66/330											
LEDD-44/250	3530	750	720	586	3250	840	800	800	125	G1.5"	610
LEDJ-26/170											
LEDL-82/410											
LEDD-54/310	2750	890	880	686	2450	840	800	810	125	G1.5"	610
LEDJ-33/210											

型号 Model	长 Length	宽 Width	高 Height	吊顶安装孔位置尺寸 position dimension of suspended-ceiling mounting hole						排水接管外径 External diameter of connecting drain pipe	间距 Space W	
	L	B	H	D	E	E ₁	E ₂	E ₃	E ₄			F
LEDL-94/470												
LEDD-63/360	3050	890	935	686	2750	940	900	910		125	G1.5"	630
LEDJ-39/250												
LEDL-116/580												
LEDD-77/440	3350	890	985	686	3050	1040	1000	1010		125	G2.0"	630
LEDJ-47/300												
LEDL-144/720												
LEDD-97/540	3950	890	985	686	3650	940	900	900		125	2-G2.0	630
LEDJ-54/360												
LEDL-160/800												
LEDD-108/600	3950	890	1085	686	3650	940	900	900		125	2-G2.0	630
LEDJ-60/400												
LEDL-180/900												
LEDD-122/670	3950	990	985	786	3650	760	720	720	720	125	2-G2.0	630
LEDJ-67/450												





Products features

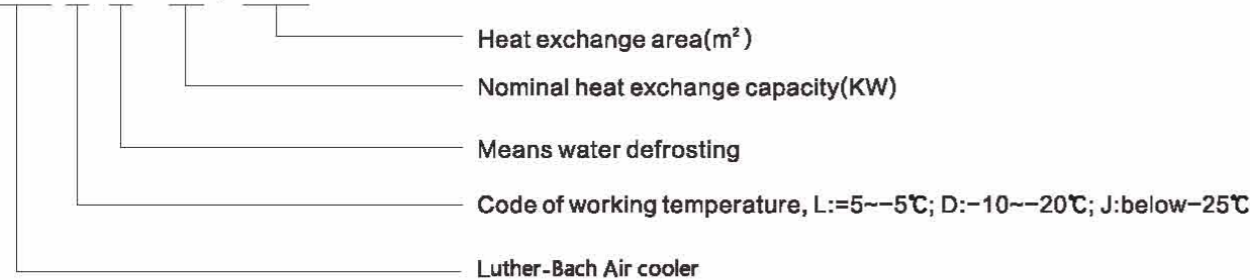
Water-defrosting air-cooler is one kind of cooling equipment used in those cold storages where electrical defrosting is not applicable, or quick defrosting is LEDLS-46/210 required, according to applicable temperature. There are 3 series including LEDLS, LEDDS, LEDJS, which are applicable to about 0° C, -18°C and -25°C cold storages respectively.

This series product is equipped with features as follows

- The shell is made of quality steel plate; plastic-sprayed surface is anti-corrosive, and its appearance is handsome.
- Coiled pipes are mechanical expanding tubes in staggered and paralleled arrangement; therefore, copper tubes and fins are combined closely and ensure good effect of heat exchange.
- Water defrosting realizes quick defrosting, good effect and less energy consumption.
- Long-distance air supply or explosion-proof motors can be used according to customers' requirements.

型号说明 Model description:

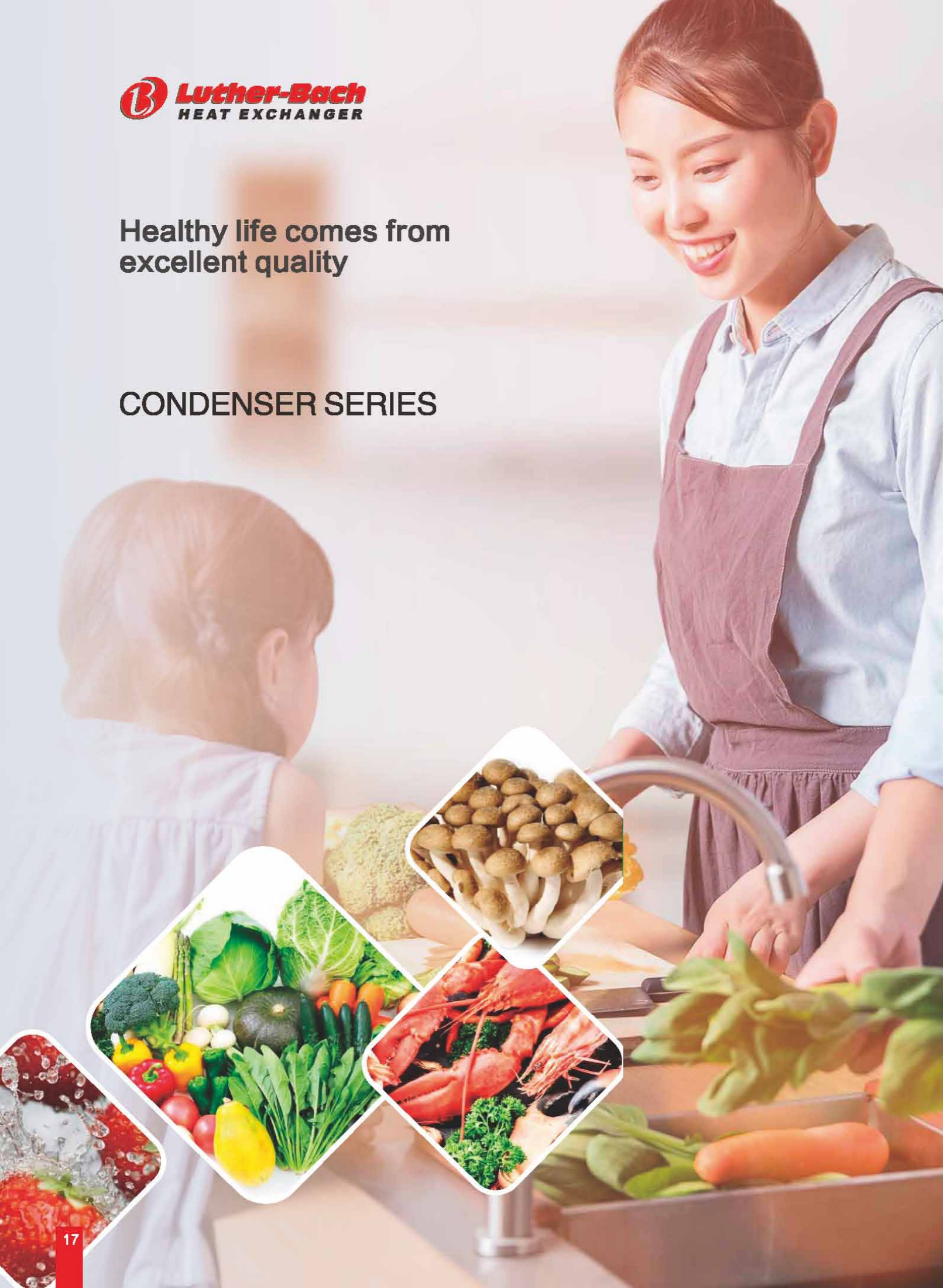
LED D S - 33 / 160



型号 Model	长 Length	宽 Width	高 Height	吊顶安装孔位置尺寸 position dimension of suspended-ceiling mounting hole							进出管径 caliber of inlet and outlet tubes	
	L	B	H	D	E	E ₁	E ₂	E ₃	E ₄	F	进水 water inflow	出水 water outflow
LEDLS-17/80												
LEDDS-11/60												
LEDJS-6.2/40	1920	690	825	525	1650	840				95	G1.5'	G3'
LEDLS-23/105												
LEDDS-14/80												
LEDJS-8.5/55												
LEDLS-28/125												
LEDDS-18/100	2420	690	825	525	2150	740	700			95	G2'	G3'
LEDJS-11/70												
LEDLS-35/160												
LEDDS-21/120	2720	690	825	525	2450	840	800			95	G2'	G3'
LEDJS-13/85												
LEDLS-40/185												
LEDDS-25/140	3120	690	825	525	2850	740	700	700	700	95	2-G1.0'	G3'
LEDJS-16/100												
LEDLS-46/210												
LEDDS-28/160	3520	690	825	525	3250	840	800	800	800	95	2-G1.5'	G3'
LEDJS-18/115												
LEDLS-52/260												
LEDDS-35/200	3520	760	825	595	3250	840	800	800	800	95	2-G1.5'	G3'
LEDJS-22/140												
LEDLS-66/330												
LEDDS-44/250	3520	760	825	595	3250	840		800	800	95	2-G1.5'	G3'
LEDJS-26/170												
LEDLS-82/410												
LEDDS-54/310	2720	690	1060	686	2450	840	800	800	800	95	2-G1.5'	G4'
LEDJS-33/210												
LEDLS-94/470												
LEDDS-63/360	3020	890	1120	686	2750	940	900			95	2-G2.0'	G4'
LEDJS-39/250												
LEDLS-116/580												
LEDDS-77/440	3320	890	1170	686	3050	1040	1000			95	2-G2.0'	G4'
LEDJS-47/300												
LEDLS-144/720												
LEDDS-97/540	3920	890	1170	686	3650	940	900	900		95	2-G2.0'	2-G4'
LEDJS-54/360												
LEDLS-160/800												
LEDDS-108/600	3920	890	1270	686	3650	940	900	900		95	2-G2.0'	2-G4'
LEDJS-60/400												
LEDLS-180/900												
LEDDS-122/670	3920	990	1170	786	3650	760	720	720	720	95	2-G2.0'	2-G4'
LEDJS-67/450												

Healthy life comes from excellent quality

CONDENSER SERIES



Air- Cooled Condenser



Products features

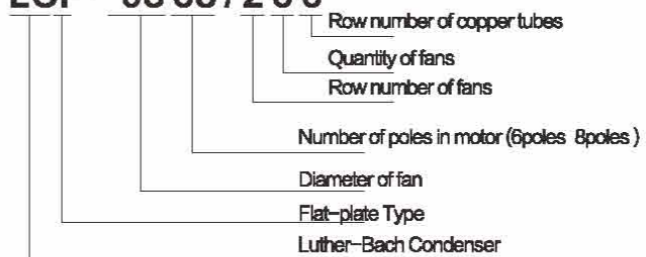
Air-cooled condenser is a radiator in freon refrigerating equipment, which used in air cooling. air-cooled condensers has 4 types, including LCH type, LCV type, LCVB type and LCF type. LCH type makes use of lateral air blows; LCV type and LCVB type and LCU type are top air blows; LCF type is horizontal air blows.

This series product is equipped with features as follows

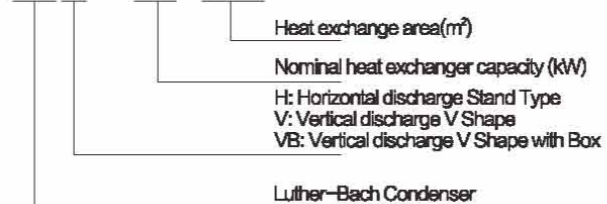
- The shell is made of quality steel plate;sprayed plastic surface is anti-corrosive, and its appearance is handsome.
- Coiled pipes are mechanical expanding tubes in staggered arrangement; therefore,copper tubes and fins are Combined closely,and ensure good effect of heat exchange.
- This product has passed 2.5 mpa air-tightness test and treatment of system waste.
- It is applicable to such refrigerant as R22,R134a,R404a and R407c,etc.
- All LCH type condensers use motors that boast large air volume and low rotating speed.therefore,the condensers have low noise and nice appearance,and can be widely used in those refrigerating equipment that have strict requirements of noise.
- LCV type condensers have low noise motors,large windward sides and favorable heat exchanging effect.They are widely used in relatively large condensing units.

Model description:

LCF - 08 68 / 2 6 6

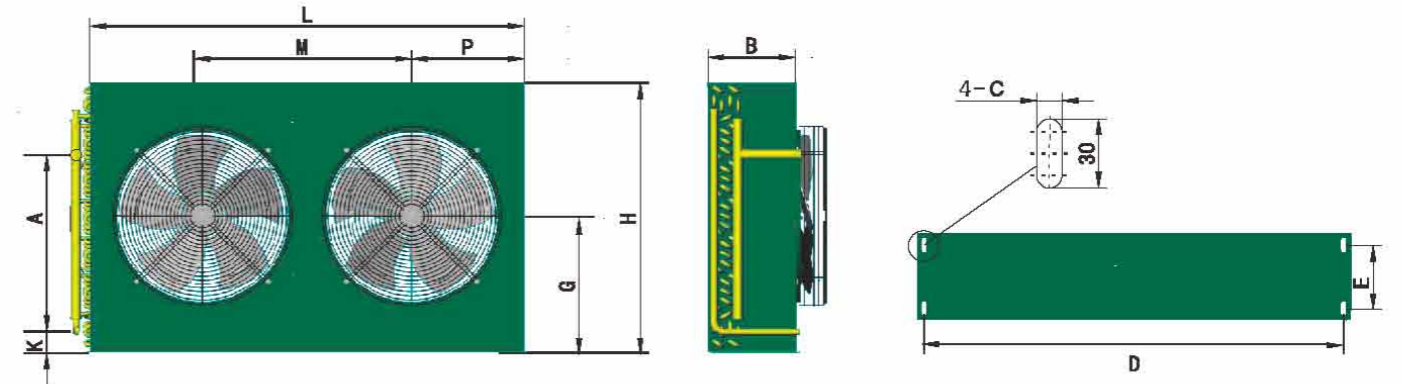


LCV - 39/110





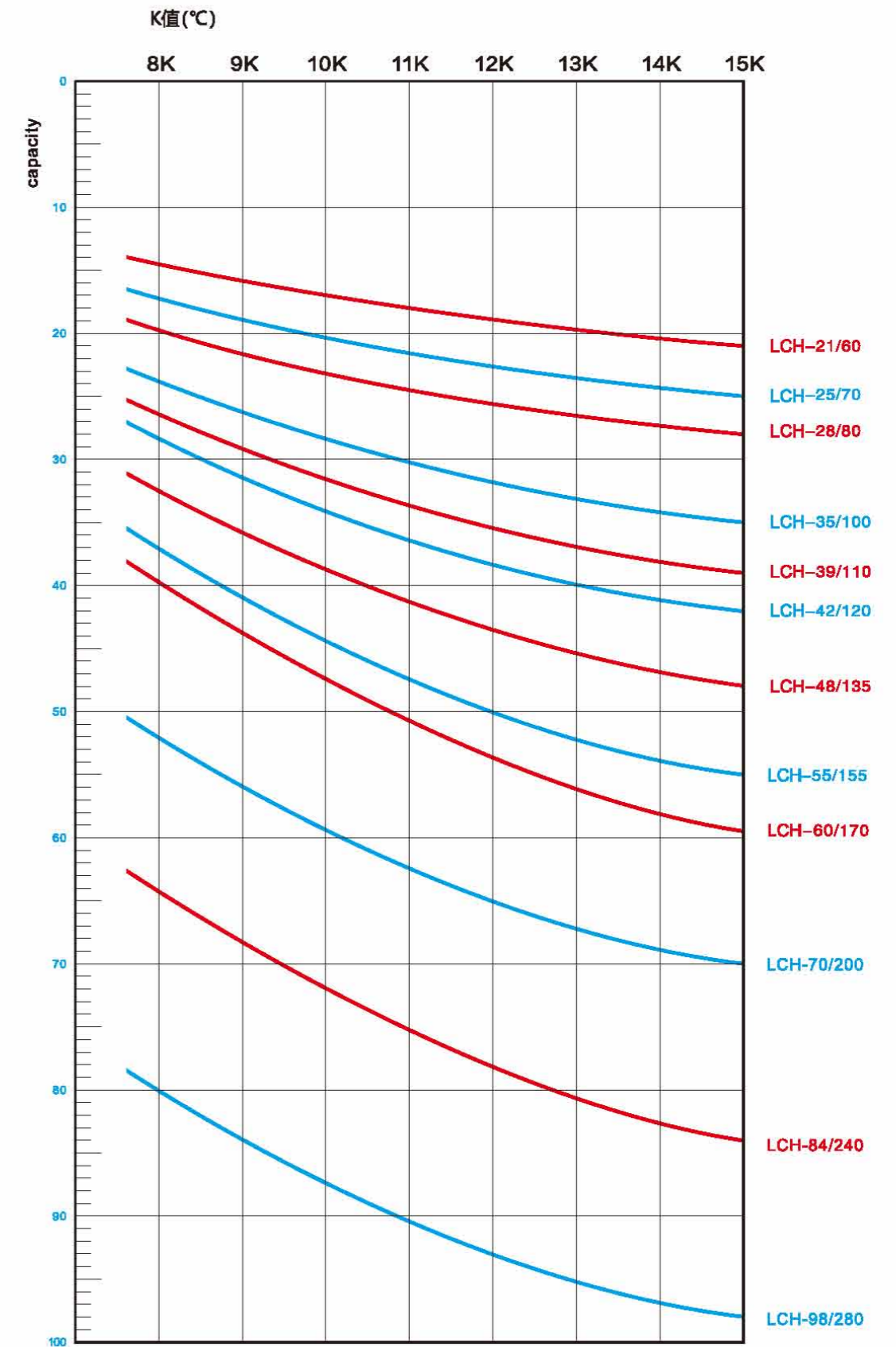
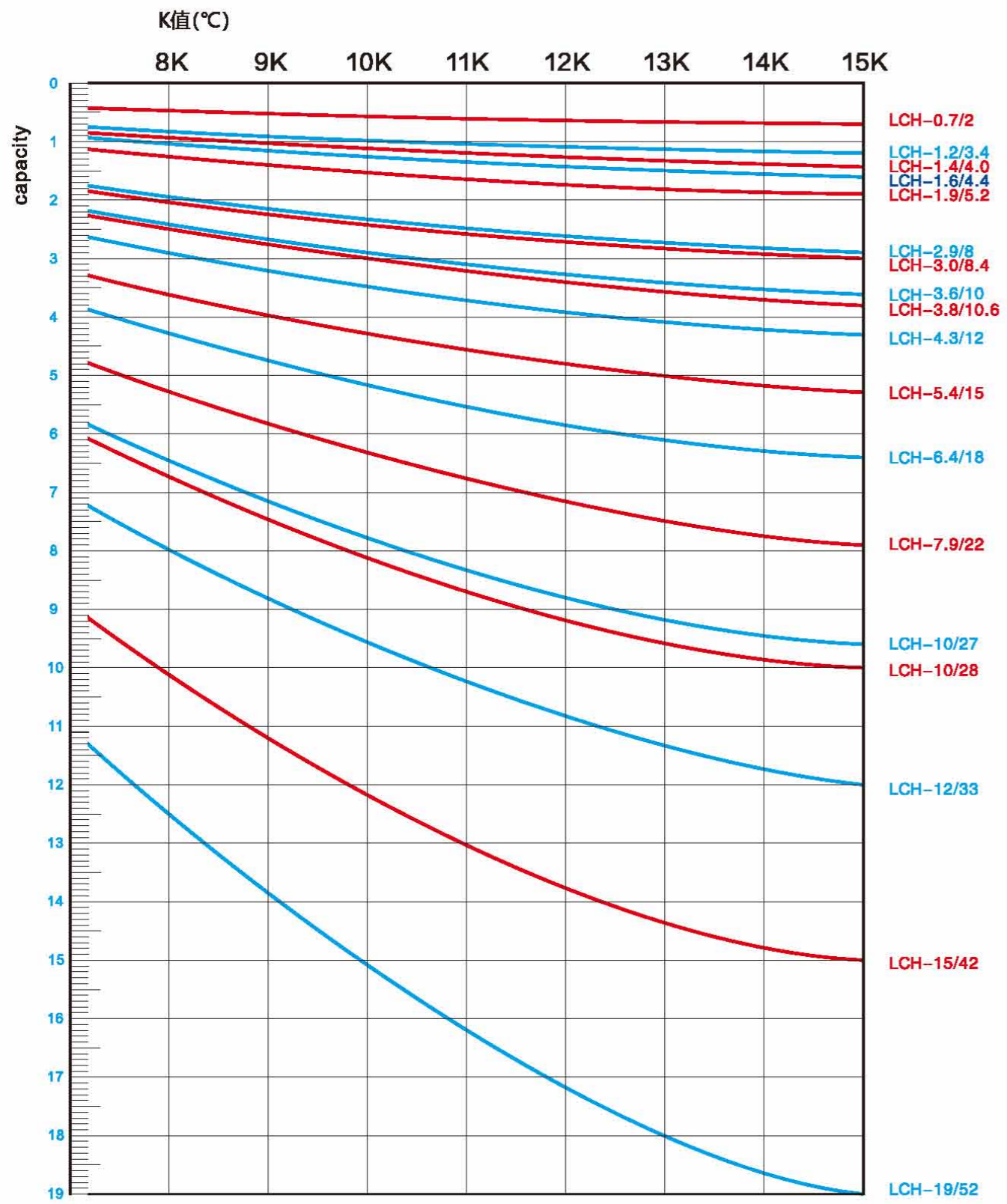
- Heat-exchanging coiled pipes are highly efficient, clean and dry
- Punched holes of aluminum fins are extending along "L" row. After tube expansion, they are connected closely, and thus ensure high efficiency of heat exchange.
- The design width of this condenser is reasonable, space between fan blade and aluminum fin is larger than 1/3 diameter of fan blade, in order to ensure sufficient windward area.
- After plastic-sprayed treatment, the shell is anti-corrosive and durable.
- For special-purpose products, please contact sales agencies of Luther-Bach.

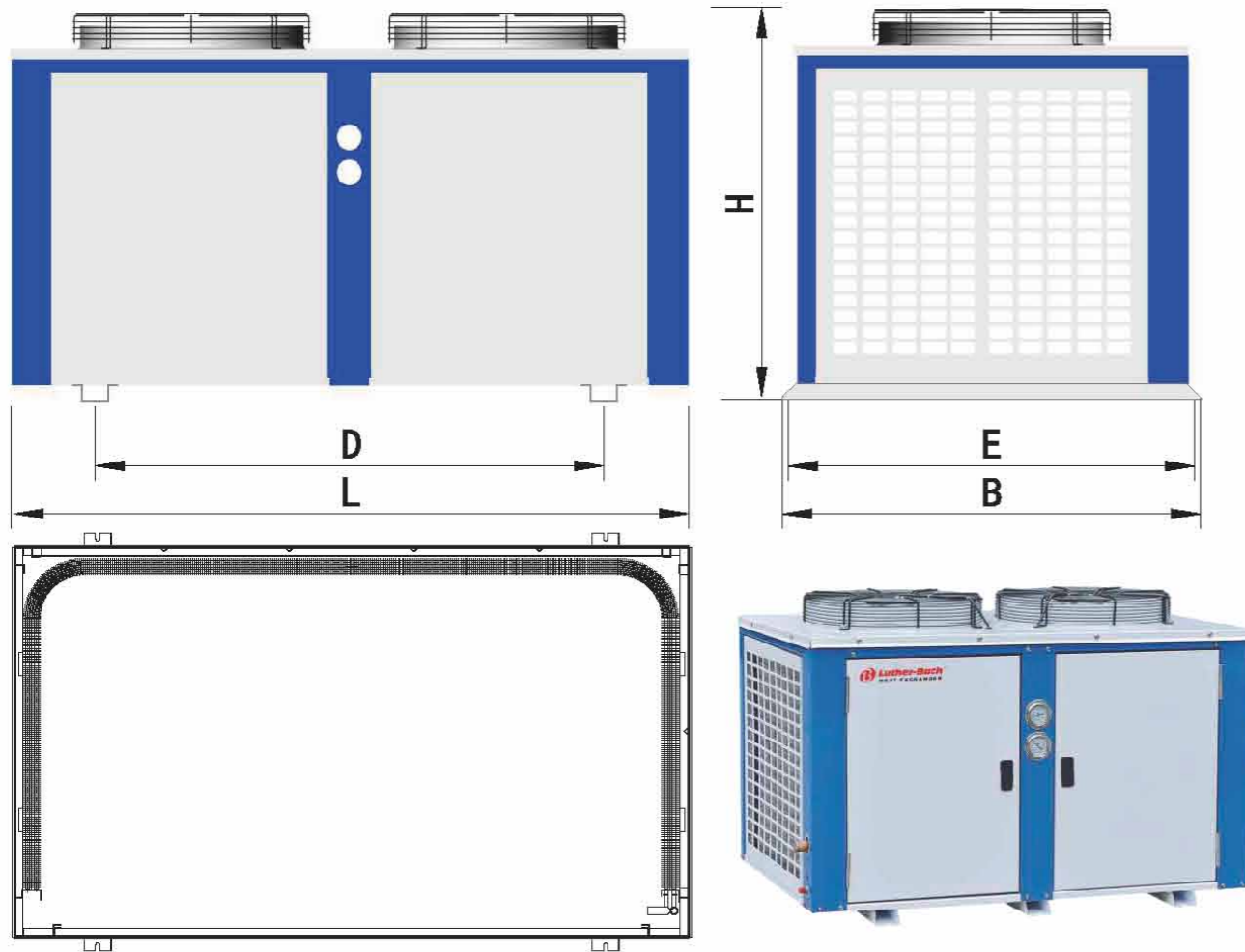


型号 Model	主要参数 Main parameters		风机 Fan						接口管径 Connection Size		备注 Notes
	排热量 $\Delta t=15K(KW)$ Heat removal capacity	冷凝面积 Condensing area	风叶直径 Diameter of fan blades	数量 Quantity	总风量 Total air volume	静压 Static pressure	功率 Power	电压 Voltage	进口 Inlet	出口 Outlet	
	W	m ²	Φmm	N	m ³ /h	Pa	W	V	Φmm	Φmm	
LCH-0.7/2	710	2.0	200	1	430	0	40	220	10	10	
LCH-1.2/3.4	1217	3.4	200	1	430	0	40	220	10	10	
LCH-1.4/4.0	1440	4.0	200	1	430	0	40	220	10	10	
LCH-1.6/4.4	1586	4.4	250	1	500	40	50	220	10	10	
LCH-1.9/5.2	1856	5.2	300	1	1500	40	75	220	10	10	
LCH-2.9/8	2864	8.0	300	1	1500	40	75	220	12	12	
LCH-3.0/8.4	3007	8.4	300	1	1500	40	75	220	12	12	
LCH-3.8/10.6	3816	10.6	300	1	1500	40	75	220	12	12	
LCH-3.6/10	3550	10	350	1	1750	60	129	380	16	12	
LCH-4.3/12	4296	12	350	1	1750	60	129	380	16	12	
LCH-5.4/15	5355	15	350	1	1750	60	129	380	16	12	
LCH-6.4/18	6408	18	400	1	3100	60	180	380	16	12	
LCH-7.9/22A	7876	22	400	1	3100	60	180	380	16	12	
LCH-10/27	9610	27	400	1	3100	60	180	380	19	16	
LCH-7.9/22B	7876	22	350	2	3500	60	2×129	380	16	12	
LCH-10/28	9968	28	350	2	3500	60	2×129	380	19	14	
LCH-12/33	11880	33	400	2	6200	60	2×180	380	19	14	
LCH-15/42	15036	42	400	2	6200	60	2×180	380	19	16	
LCH-19/52	18668	52	400	2	6200	60	2×180	380	19	16	
LCH-21/60	21360	60	450	2	9000	60	2×250	380	22	19	
LCH-25/70	24640	70	450	2	9000	60	2×250	380	25	19	
LCH-28/80	28240	80	450	2	9000	60	2×250	380	25	19	
LCH-35/100	35400	100	500	2	10600	80	2×449	380	25	19	
LCH-39/110	39050	110	500	2	10600	80	2×449	380	32	19	
LCH-42/120	42240	120	550	2	14800	80	2×670	380	32	19	
LCH-48/135	47799	135	550	2	14800	80	2×670	380	32	19	
LCH-55/155	55025	155	600	2	18200	80	2×825	380	32	22	
LCH-60/170	59500	170	600	2	18200	80	2×825	380	32	22	
LCH-21/60	21360	60	350	4	7000	60	4×129	380	22	16	
LCH-25/70	24640	70	400	4	12400	60	4×180	380	28	19	
LCH-28/80	28240	80	400	4	12400	60	4×180	380	25	19	
LCH-35/100	35400	100	400	4	12400	60	4×180	380	25	19	
LCH-39/110	39050	110	400	4	12400	60	4×180	380	25	19	
LCH-42/120	42240	120	400	4	12400	60	4×180	380	28	19	
LCH-47/135	47250	135	400	4	12400	60	4×180	380	32	19	
LCH-53/150	53220	150	450	4	16400	60	4×250	380	28	22	
LCH-59/170	59500	170	450	4	16400	60	4×250	380	32	22	
LCH-70/200	70000	200	500	4	21200	80	4×449	380	32	22	
LCH-84/240	84000	240	550	4	29600	80	4×670	380	38	25	
LCH-98/280	98000	280	550	4	29600	80	4×670	380	38	25	

用外转子和电机可提供非标设计

型号 Model	铜管 Copper tubes	外型尺寸 Dimensions			安装尺寸 Mounting dimensions			接口尺寸 Coupling dimensions		风扇排列尺寸 Dimensions of fan arrangement		
	排数×环数 Row number×Number of rings	L	B	H	D	E	C	A	K	G	P	M
	N×W	mm	mm	mm	mm	mm	mm	mm	mm	mm	mm	mm
LCH-0.7/2	2×4	250	120	240	275	70	9	200	24	115	125	
LCH-1.2/3.4	3×4	250	120	240	275	70	9	200	24	115	125	
LCH-1.4/4.0	3×4.5	300	120	255	300	90	7	225	24	128	150	
LCH-1.6/4.4	3×5	325	120	290	350	70	7	250	24	140	162	
LCH-1.9/5.2	3×6	370	130	340	370	100	7	290	25	170	185	
LCH-2.9/8	4×6	370	150	340	370	120	7	290	25	170	185	
LCH-3.0/8.4	3×6	450	170	350	475	120	9	275	44	175	225	
LCH-3.8/10.6	4×6	450	170	350	475	120	9	275	44	175	225	
LCH-3.6/10	3×8	450	170	420	455	140	7	375	30	210	225	
LCH-4.3/12	4×8	440	180	420	430	130	9	320	50	210	220	
LCH-5.4/15	4×9	490	180	470	480	130	9	370	50	235	245	
LCH-6.4/18	4×10	530	180	520	520	130	11	420	50	260	265	
LCH-7.9/22A	5×10	530	200	520	520	150	11	420	50	260	265	
LCH-10/27	6×9	590	240	470	580	190	11	425	35	340	295	
LCH-7.9/22B	4×8	810	180	420	800	130	11	320	50	210	210	390
LCH-10/28	4×9	890	180	470	880	130	11	420	50	260	230	430
LCH-12/33	4×10	940	180	520	930	130	11	420	50	260	245	450
LCH-15/42	5×10	940	200	520	930	150	11	420	50	260	245	450
LCH-19/52	5×12	940	200	620	930	150	11	500	50	310	245	450
LCH-21/60	5×12	1160	240	620	1150	170	11	500	50	310	300	560
LCH-25/70	4×14	1160	240	720	1150	190	11	500	50	360	300	560
LCH-28/80	4×16	1160	240	820	1150	190	11	500	50	410	300	560
LCH-35/100	4×17	1350	260	870	1340	210	11	500	50	435	345	660
LCH-39/110	4×18	1350	260	920	1340	210	11	500	50	460	345	660
LCH-42/120	4×20	1350	260	1020	1340	210	11	500	50	510	345	660
LCH-48/135	5×18	1350	260	920	1340	210	11	500	50	460	345	660
LCH-55/155	5×20	1400	300	1020	1390	250	11	500	50	510	360	680
LCH-60/170	5×22	1400	300	1120	1390	250	11	500	50	560	360	680
LCH-21/60	4×18	890	180	920	880	130	11	530	50	230	230	425
LCH-25/70	4×20	940	180	1020	930	130	11	530	50	255	240	460
LCH-28/80	5×18	940	200	920	930	150	11	530	50	230	240	460
LCH-35/100	6×20	940	220	1020	930	170	11	530	50	255	240	460
LCH-39/110	6×20	1040	220	1020	1030	170	11	530	50	255	270	500
LCH-42/120	6×24	940	220	1220	930	170	11	610	50	305	245	450
LCH-47/135	6×24	1040	220	1220	1030	170	11	530	50	305	265	510
LCH-53/150	6×24	1180	240	1220	1170	190	11	530	50	305	305	570
LCH-59/170	5×26	1190	300	1320	1180	250	11	610	50	330	287.5	575
LCH-70/200	6×26	1340	300	1320	1330	250	11	610	50	330	345	650
LCH-84/240	5×26	1740	300	1320	1730	250	11	650	50	335	445	850
LCH-98/280	6×26	1767	300	1320	1757	250	11	630	50	335	453.5	860



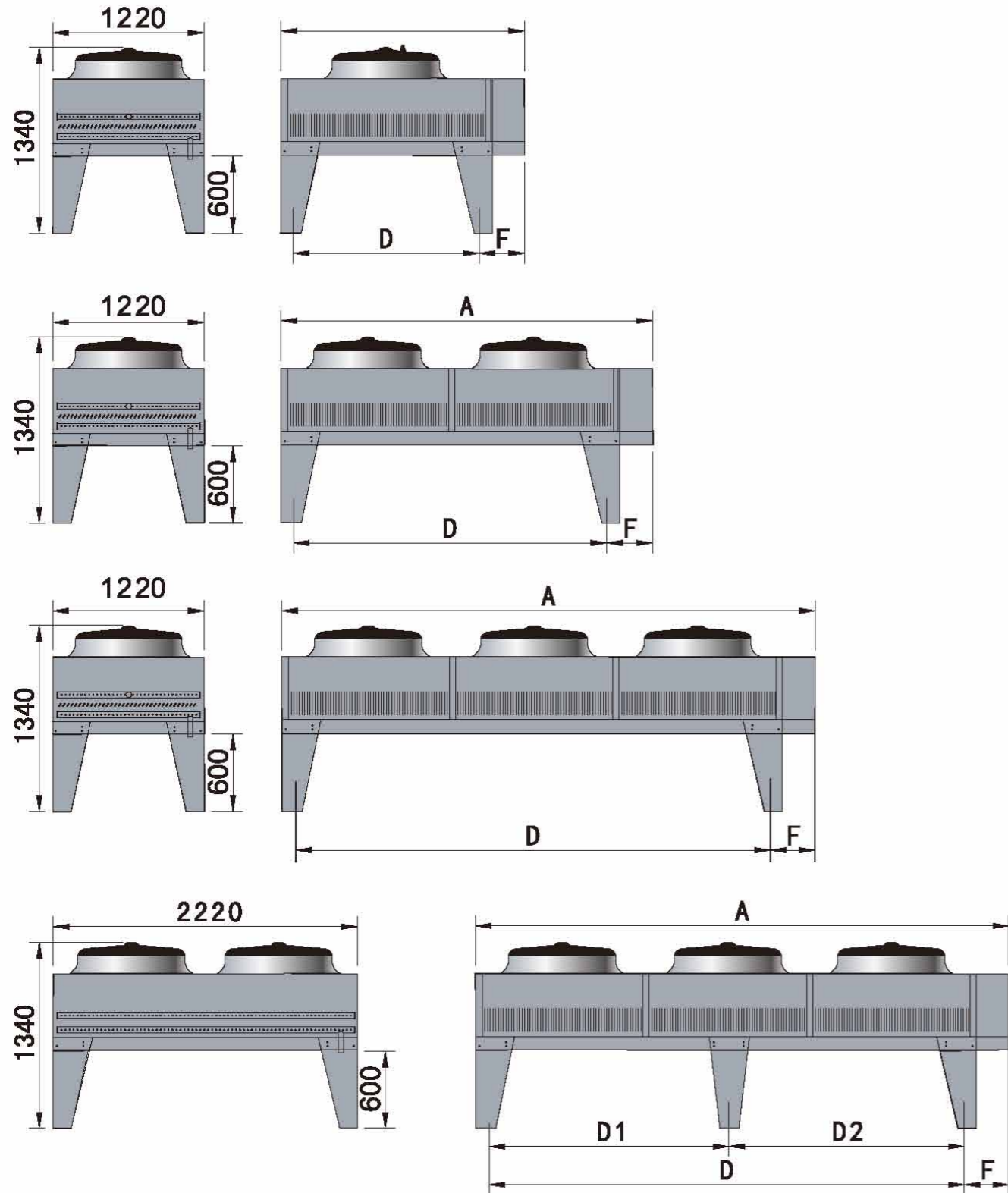


型号 Model	电机接线 Wiring of motor	冷凝热量 Condenser heat exchanger capacity	空气流量 Air flow	风机转速 Rotating speed of fan	总功率 Total Power	总电流 Total Current	声压级(10m) 10m sound pressure level(10m)	管接口 Connecting tube	
		$\Delta t=15(KW)$	m ³ /h	r/min	W	A	In/out(mm)	dB(A)	
单风机 Single fan	086/116	三角Triangle	66	18660	890	1800	3.8	52	42/35
		Y型Y type	60	14140	660	1150	2.2	46	
	088/116	三角Triangle	58	14770	670	800	1.95	45	42/35
		Y型Y type	48	12200	670	490	1.0	41	
双风机 Double fan	086/125	三角Triangle	109	39000	890	3600	7.6	54	42/35
		Y型Y type	99	29680	660	3600	7.6	48	
	088/125	三角Triangle	96	30120	670	1600	3.9	47	42/35
		Y型Y type	79	24920	670	1600	3.9	43	
	086/126	三角Triangle	132	37320	890	2300	4.4	54	54/42
		Y型Y type	120	28280	660	2300	4.4	48	
	088/126	三角Triangle	116	24400	670	980	2	47	54/42
		Y型Y type	96	45180	670	980	2	43	
三风机 Triple fan	086/135	三角Triangle	165	58500	890	5400	11.4	56	54/42
		Y型Y type	150	44520	660	5400	11.4	50	
	088/135	三角Triangle	145	37380	670	2400	5.85	49	54/42
		Y型Y type	120	44310	670	2400	5.85	45	
	086/136	三角Triangle	198	55980	890	3450	6.6	56	54/42
		Y型Y type	180	42420	660	3450	6.6	50	
	088/136	三角Triangle	174	36600	510	2400	3	49	54/42
		Y型Y type	144	56080	510	1470	3	45	
四风机 Fourfold fan	086/146	三角Triangle	264	74640	890	7200	15.2	57	67/54
		Y型Y type	240	56560	660	4600	8.8	51	
	088/146	三角Triangle	232	48800	510	1470	7.8	50	67/54
		Y型Y type	192	88740	510	3200	4	46	
	086/265	三角Triangle	330	115070	890	10800	22.8	59	2×67/54
		Y型Y type	300	87100	660	10800	13.2	53	
六风机 Sixfold fan	088/265	三角Triangle	290	70750	510	1960	11.7	52	2×67/54
		Y型Y type	240	86000	510	4800	11.7	48	
	086/266	三角Triangle	396	109620	890	6900	22.8	59	2×67/54
		Y型Y type	360	79020	660	6900	13.2	53	
	088/266	三角Triangle	348	67330	510	4800	6	52	2×67/54
		Y型Y type	288	29540	510	2940	6	48	

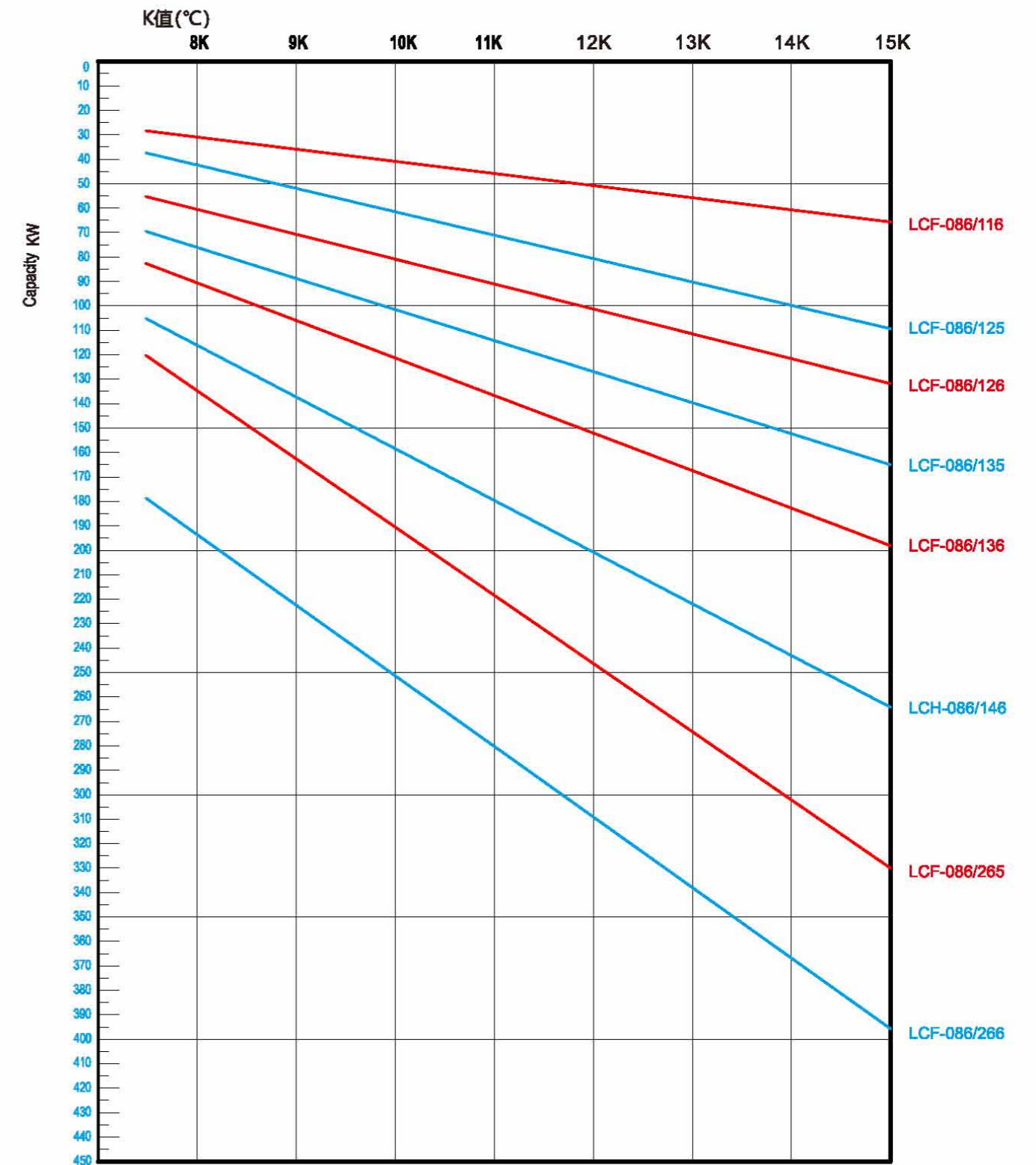
型号 Model	排热量 $\Delta t=10(KW)$ Heat removal capacity	换热面积 Heat-exchange area	风机 Fan						进气管 直径 Diameter of inlet tube	出气管 直径 Diameter of outlet tube	外型尺寸 Dimensions			安装尺寸 Mounting dimensions		备注 Notes
			静压 Static pressure	数量 Quantity	风叶直径 Diameter of fan blade	风量 Air volume	功率 Power	电压 Voltage			L	B	H	D	E	
LCU-10/28	9968	28	60	1	Φ450	4500	250	380	19	14	850	670	710	510	820	用外 转 子 电 机 和 可 提 供 非 标 设 计
LCU-12/33	11880	33	60	1	Φ450	4500	250	380	19	14	850	670	710	510	820	
LCU-15/42	15036	42	60	1	Φ500	5600	449	380	19	16	900	770	710	610	870	
LCU-18/50	17950	50	80	1	Φ550	5600	670	380	22	16	900	770	920	610	870	
LCU-21/60	21360	60	80	1	Φ550	5600	670	380	22	16	900	770	920	610	870	
LCU-25/70	24640	70	80	1	Φ550	5600	670	380	22	16	900	770	1020	610	870	
LCU-28/80	28240	80	60	2	Φ450	2×4100	2×290	380	22	16	1330	850	910	900	820	
LCU-31/90	30500	90	80	2	Φ500	2×5300	2×449	380	22	16	1330	950	910	900	920	
LCU-35/100	35400	100	80	2	Φ500	2×5300	2×449	380	22	16	1330	950	1010	900	920	
LCU-39/110	39050	110	80	2	Φ500	2×5300	2×449	380	22	16	1480	950	1010	1050	920	
LCU-42/120	42240	120	80	2	Φ550	2×7400	2×670	380	25	19	1730	1050	1020	1300	1020	
LCU-46/130	46028	130	80	2	Φ550	2×7400	2×670	380	25	19	1730	1050	1020	1300	1020	

常用数据 frequently-used data									
风机直径Diameter of fan		1×800	2×800	2×800	3×800	3×800	4×800	6×800	6×800
换热面积Heat-exchange area	m ²	200	330	400	500	600	800	1000	1200
内容积Internal volume	L	19	31	38	46	55	73	92	110
毛重Gross weight	kg	182	308	326	470	497	646	860	910
A	mm	1600	2900	2900	4200	4200	5500	4200	4200
D	mm	1250	2550	2550	3850	3850	5150	3850	3850
D1	mm							1925	1925
D2	m ²							1925	1925

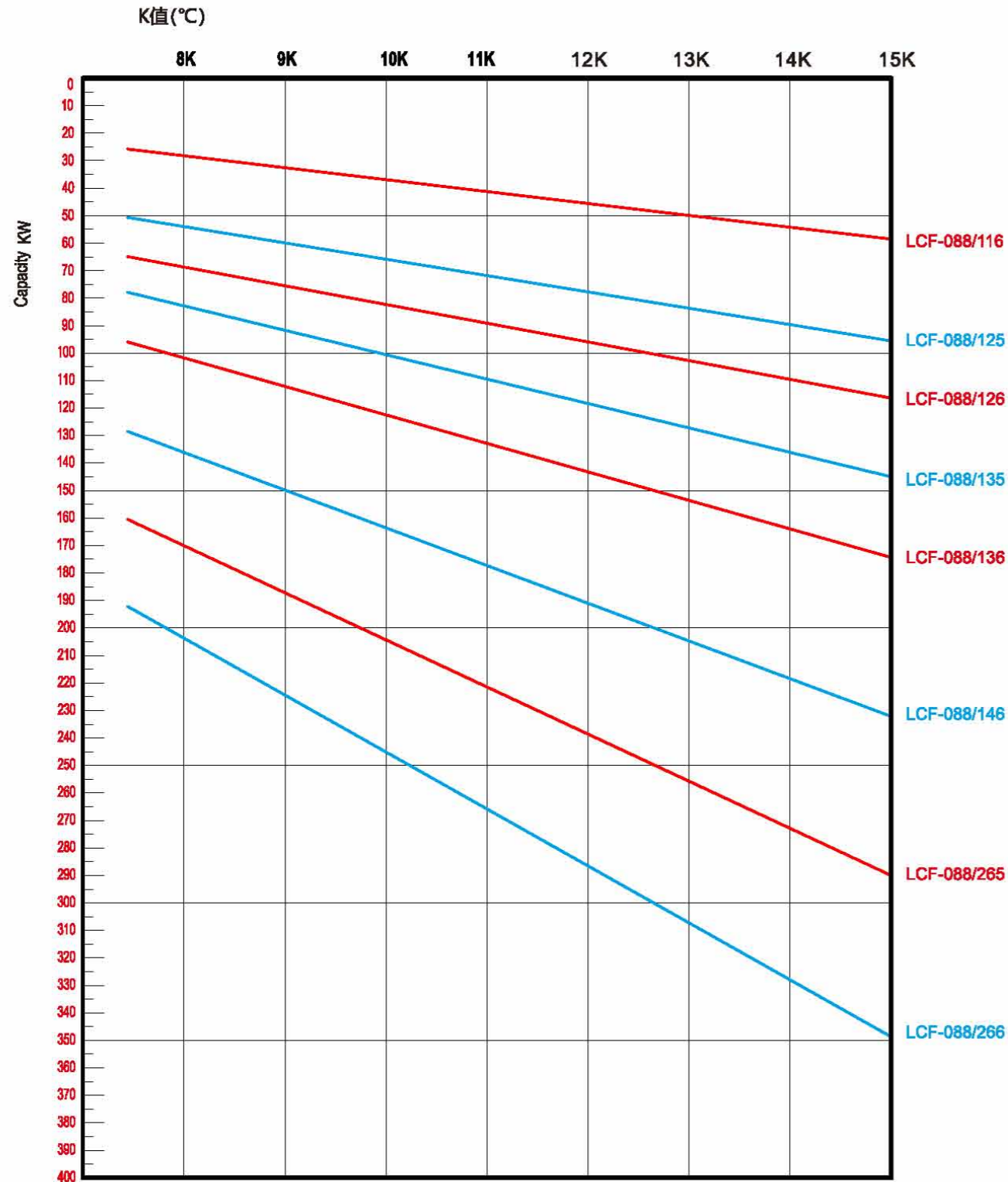
- Absorb advanced technology of famous European and American brands, specialized design for commercial freezers and air conditioning equipment; and air conditioning equipment;
- Highly efficient heat-exchanging coiled pipes;
- Imported external rotor fans with large air volume, low noise and less power consumption;
- The shell is made of quality galvanized plate; plastic-sprayed surface is anti-corrosive and durable;
- For special-purpose products, please contact sales agencies of Lucher-Bach.



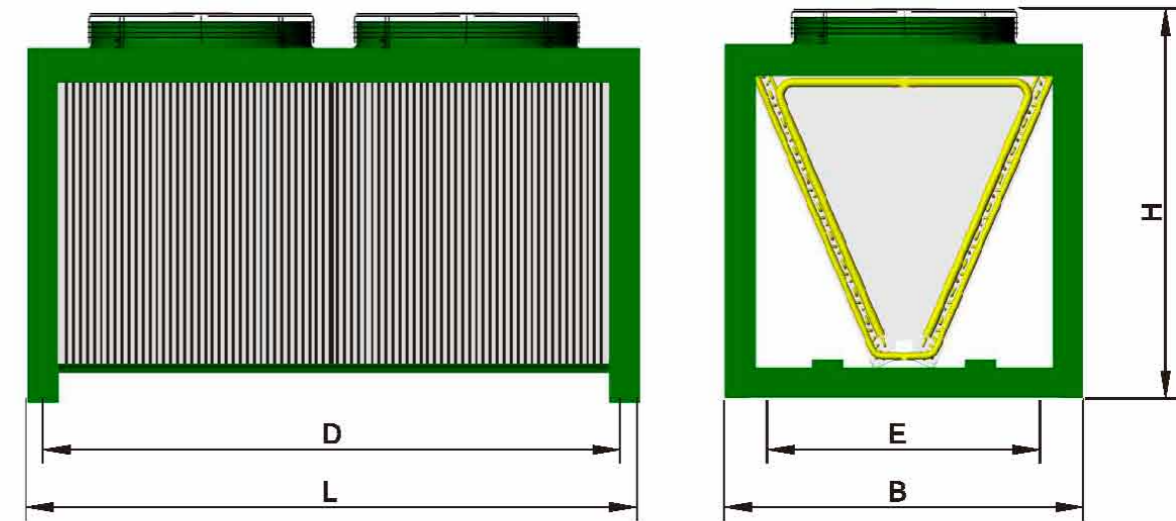
LCF Type Condenser



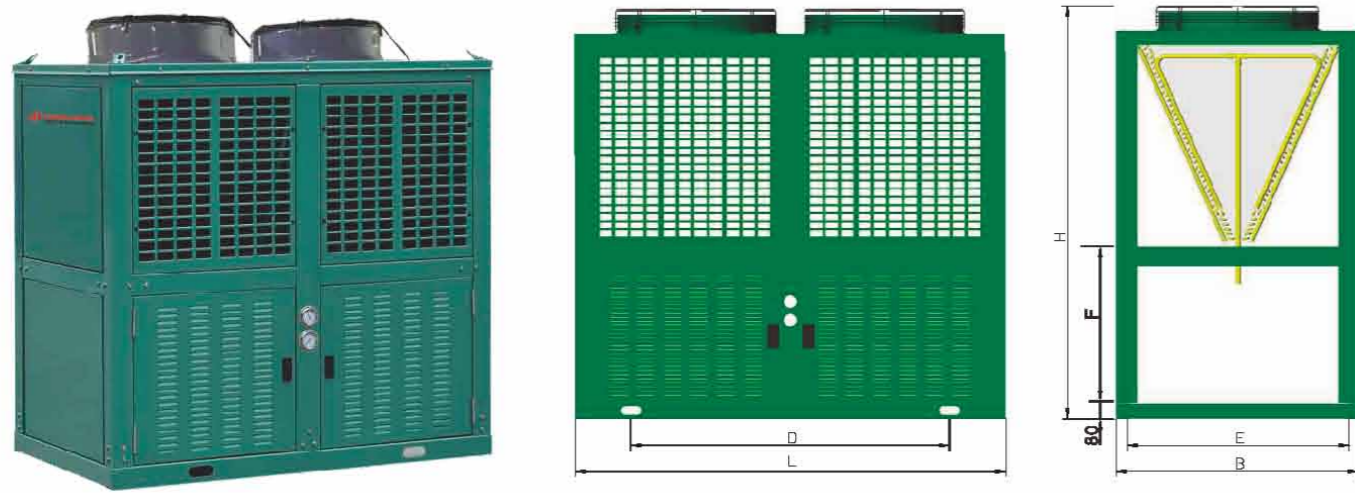
LCF Type Condenser



型号 Model	排热量 Δt=15k(KW) Heat removal capacity	换热面积 Heat-exchange area	风机 Fan						进气管 直径 Diameter of inlet tube	出气管 直径 Diameter of outlet tube	外型尺寸 Dimensions			安装尺寸 Connection Size		备注 Notes
			数量 Quantity	风叶直径 Diameter of fan blade	风量 Air volume	静压 Static pressure	功率 Power	电压 Voltage			L	B	H	D	E	
LCV-25/72	24840	72	1	φ550	7400	80	670	380	22	16	1050	900	1015	600	850	用 外 转 子 电 机 和 可 提 供 非 标 设 计
LCV-30/87	30102	87	1	φ600	9100	80	825	380	25	16	1200	950	1040	600	900	
LCV-39/110	39050	110	2	φ500	2×5300	60	2×449	380	25	16	1500	900	1010	800	850	
LCV-45/130	44850	130	2	φ550	2×7400	80	2×670	380	28	19	1720	900	1015	950	850	
LCV-55/155	55025	155	2	φ550	2×7400	80	2×670	380	28	19	1650	1000	1115	950	950	
LCV-64/185	63825	185	2	φ600	2×9100	80	2×825	380	28	22	1800	1050	1230	1100	1000	
LCV-73/210	72660	210	2	φ630	2×9900	80	2×937	380	32	22	1870	1100	1330	1100	1050	
LCV-83/240	82800	240	3	φ550	3×7400	80	3×670	380	32	22	2500	1000	1115	1800	950	
LCV-93/270	93420	270	3	φ600	3×9100	80	3×825	380	35	25	2700	1000	1140	2000	950	
LCV-104/300	103800	300	3	φ630	3×9900	80	3×937	380	35	25	2770	1050	1230	2000	1000	
LCV-111/320	111040	320	3	φ630	3×9900	80	3×937	380	38	25	2900	1050	1230	2200	1000	
LCV-125/360	124560	360	3	φ630	3×12700	80	3×1442	380	42	28	2900	1100	1335	2200	1050	
LCV-138/400	138400	400	4	φ630	4×9900	80	4×937	380	42	28	3550	1050	1230	2850	1000	
LCV-166/480	165600	480	4	φ630	4×12700	80	4×1442	380	54	28	3800	1100	1335	3100	1050	

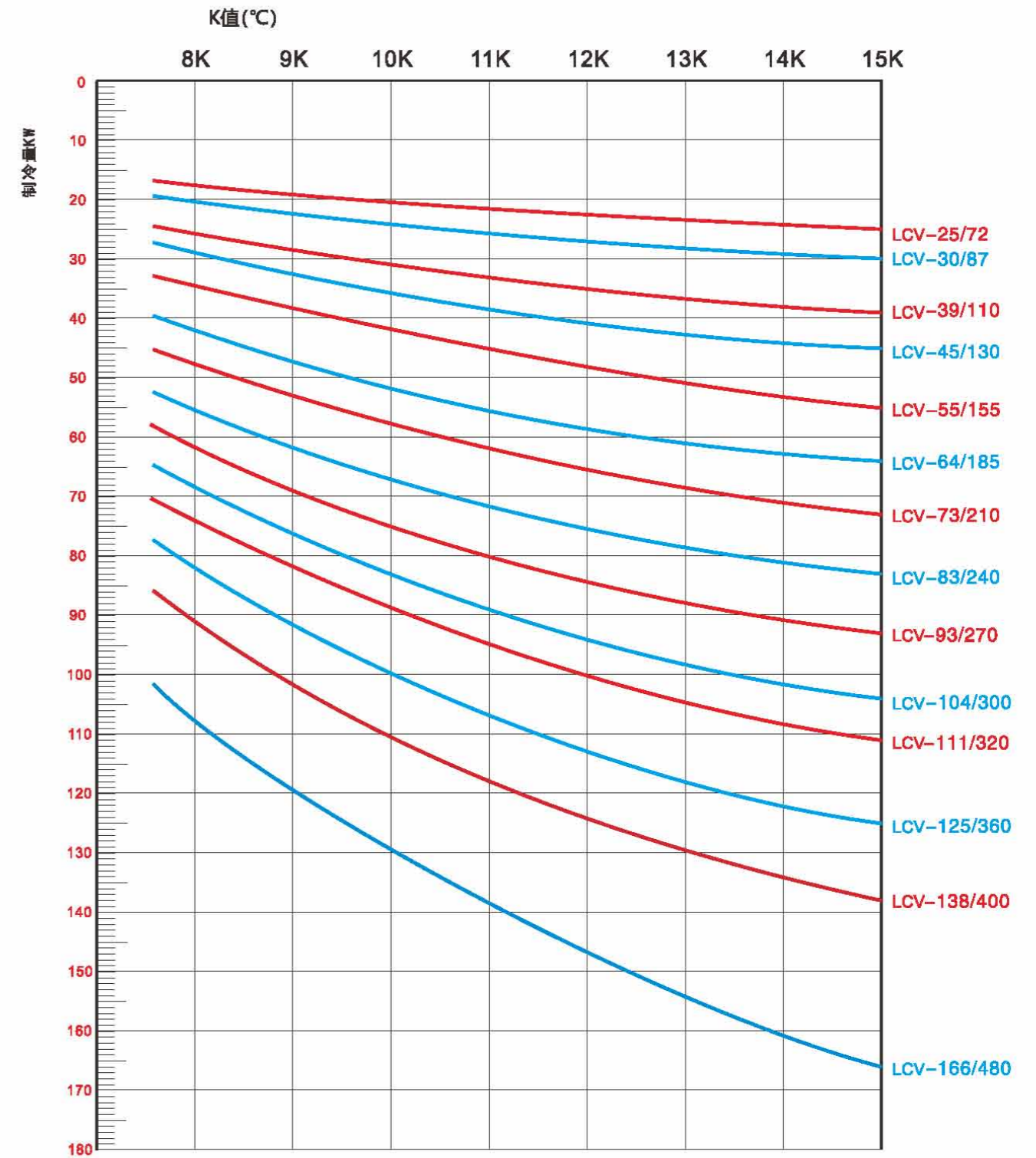


- Absorb advanced technology of famous European and American brands, specialized design for commercial freezers and air conditioning equipment;
- Highly efficient heat-exchanging coiled pipes;
- High quality galvanized sheet with plastic coating treatment, the shell is anti-corrosive and durable;
- For special-purpose products, please contact sales agencies of Lucher-Bach.



型号 Model	排热量 Δt=16(KW) Heat removal capacity	换热面积 Heat-exchange area	风机 Fan						进气管 直径 Diameter of Inlet tube	出气管 直径 Diameter of Outlet tube	外型尺寸 Dimensions				安装尺寸 Connection Size		备注 Notes
			数量 Quantity	风叶直径 Diameter of fan blade	风量 Air volume	静压 Static pressure	功率 Power	电压 Voltage			L	B	H	F	D	E	
LCVB-25/72	24840	72	1	Φ550	7400	80	670	380	22	16	1020	900	1660	650	600	850	用 外 转 子 电 机 和 可 提 供 非 标 设 计
LCVB-30/87	30102	87	1	Φ600	9100	80	825	380	25	16	1200	950	1685	650	600	900	
LCVB-39/110	39050	110	2	Φ500	2×5300	80	2×449	380	25	16	1500	900	1655	650	800	850	
LCVB-45/130	44850	130	2	Φ550	2×7400	80	2×670	380	28	19	1650	900	1660	650	950	850	
LCVB-55/155	55025	155	2	Φ550	2×7400	80	2×670	380	28	19	1650	1000	1855	750	950	950	
LCVB-64/185	63825	185	2	Φ600	2×9100	80	2×825	380	28	22	1800	1050	1970	750	1100	1000	
LCVB-73/210	72660	210	2	Φ630	2×9900	80	2×937	380	32	22	1800	1100	2070	750	1100	1050	
LCVB-83/240	82800	240	3	Φ550	3×7400	80	3×670	380	32	22	2500	1000	1950	750	1800	950	
LCVB-93/270	93420	270	3	Φ600	3×9100	80	3×825	380	35	25	2700	1000	1975	750	2000	950	
LCVB-104/300	103800	300	3	Φ630	3×9900	80	3×937	380	35	25	2700	1050	2145	750	2000	1000	
LCVB-111/320	111040	320	3	Φ630	3×9900	80	3×937	380	38	25	2900	1050	1975	750	2200	1000	
LCVB-125/360	124560	360	3	Φ630	3×12700	80	3×1442	380	42	28	2900	1100	2070	750	2200	1050	
LCVB-138/400	138400	400	4	Φ630	4×9900	80	4×937	380	42	28	3550	1050	1975	750	2850	1000	
LCVB-166/480	165600	480	4	Φ630	4×12700	80	4×1442	380	54	28	3800	1100	2070	750	3100	1050	

LCV Type Condenser



Quick Frozen Leads
and Enjoys a Healthy Life

CONDENSING UNIT SERIES



Hermetic Outdoor Condensing Unit



Products features

- Select international brand compressor, good quality, high reliability, low noise and high efficiency.
- Adopt copper tubes and aluminum fins condensers, efficiency of heat exchange and long service life.

Model description:

LUW5CBFGS

- symbolized two-stage
- Working temperature G-high Z-medium D-low
- Cooling mode F-air-cooled Water-cooled is not shown
- Compressor B-semi-hermetic Q-hermetic
- C:Copeland B:Bitzer Y:Invotech H:Hanbell
- Nominal power
- W-outdoor N-indoor
- Luther-Bach condensing units

机组型号 Model of units		LUW2CQFZG LUW2.5CQFZG LUW3CQFZG LUW3.5CQFZG LUW4CQFZG LUW5CQFZG LUW6CQFZG							
适用蒸发温度(°C) Applicable Temperature(°C)		+10--15°C							
制冷剂 Refrigerant		R22							
电源 Power supply		220V/380V50Hz				380V50Hz			
冷凝器 Condenser	风机数量(只) Quantity of Fan(piece)	1	1	1	1	2	2	2	
	风量(m³/h) Air volume(m³/h)	1×3200	1×3200	1×3200	1×3200	2×3200	2×3200	2×3200	
	风机功率(W) Power of Fan(W)	1×60	1×60	1×60	1×60	2×60	2×60	2×60	
压缩机组制冷量 Refrigerating capacity of compressor units	蒸发温度 +5°C Evaporating Temperature +5°C	制冷量(W) Cooling capacity	5190	6000	7110	8410	11000	12510	15210
		电功率(W) Power	1820	2110	2590	2950	3300	4260	5080
	蒸发温度 -5°C Evaporating Temperature -5°C	制冷量(W) Cooling capacity	4050	4190	5840	5760	7300	9270	11600
		电功率(W) Power	1860	1920	2530	2640	2980	3780	4680
	蒸发温度 -12°C Evaporating Temperature -12°C	制冷量(W) Cooling capacity	2930	3230	4050	4520	5450	6880	8790
		电功率(W) Power	1890	2070	2530	2690	2790	3400	4230
接口 Coupling	出液管接口 Tube coupling	3/8"	3/8"	3/8"	3/8"	1/2"	1/2"	1/2"	
	吸气管接口 Suction coupling	5/8"	5/8"	5/8"	5/8"	3/4"	3/4"	3/4"	
外形尺寸 Overall dimensions	长(L) mm Length	1010	1010	1010	1010	1010	1010	1010	
	宽(B) mm Width	410	410	410	410	410	410	410	
	高(H) mm Height	855	855	855	855	1245	1245	1245	
安装尺寸 Mounting dimensions	长(D) mm Length	580	580	580	580	580	580	580	
	宽(E) mm Width	380	380	380	380	380	380	380	

机组标准配置: 压缩机、冷凝器、储液器、压控、压力表、过滤器、电磁阀、接线端子等。
Standard configuration of units: compressor, condenser, liquid receiver, pressure controller, pressure gauge, filter, solenoid valve and wiring box, etc.

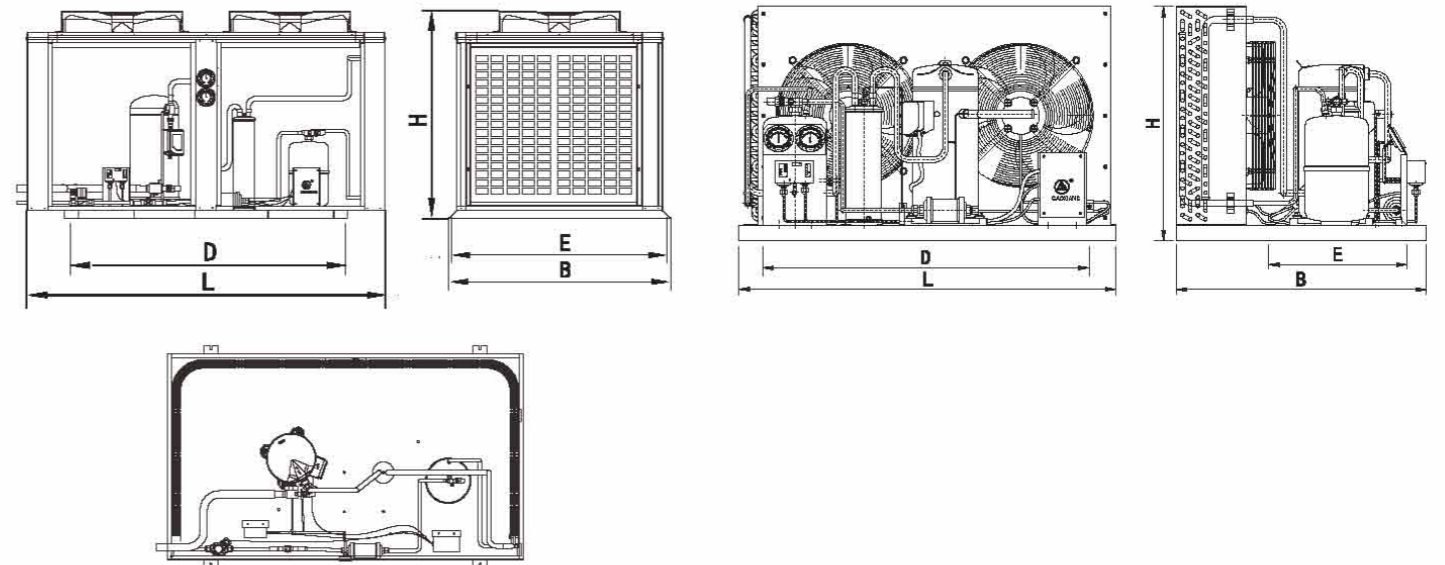


机组型号 Model of units		LUW2CQFZG LUW2.5CQFZG LUW3CQFZG LUW3.5CQFZG LUW4CQFZG LUW5CQFZG LUW6CQFZG							
适用蒸发温度(°C) Applicable Temperature(°C)		+10--15°C							
制冷剂 Refrigerant		R404A							
电源 Power supply		220V/380V50Hz				380V50Hz			
冷凝器 Condenser	风机数量(只) Quantity of Fan(piece)	1	1	1	1	2	2	2	
	风量(m³/h) Air volume(m³/h)	1×3200	1×3200	1×3200	1×3200	2×3200	2×3200	2×3200	
	风机功率(W) Power of Fan(W)	1×60	1×60	1×60	1×60	2×60	2×60	2×60	
压缩机组制冷量 Refrigerating capacity of compressor units	蒸发温度 +5°C Evaporating Temperature +5°C	制冷量(W) Cooling capacity	5270	5960	7910	8900	10450	12250	13400
		电功率(W) Power	1920	2090	3020	3120	4100	5440	6130
	蒸发温度 -5°C Evaporating Temperature -5°C	制冷量(W) Cooling capacity	3750	4190	5100	6270	7000	8850	10100
		电功率(W) Power	1990	1920	3100	3200	3900	4700	5820
	蒸发温度 -12°C Evaporating Temperature -12°C	制冷量(W) Cooling capacity	2920	3230	4100	4830	5600	7200	8060
		电功率(W) Power	1910	2070	2980	3220	3700	4480	5370
接口 Coupling	出液管接口 Tube coupling	3/8"	3/8"	3/8"	3/8"	1/2"	1/2"	1/2"	
	吸气管接口 Suction coupling	5/8"	5/8"	5/8"	5/8"	3/4"	3/4"	3/4"	
外形尺寸 Overall dimensions	长(L) mm Length	1010	1010	1010	1010	1010	1010	1010	
	宽(B) mm Width	410	410	410	410	410	410	410	
	高(H) mm Height	855	855	855	855	1245	1245	1245	
安装尺寸 Mounting dimensions	长(D) mm Length	580	580	580	580	580	580	580	
	宽(E) mm Width	380	380	380	380	380	380	380	

机组标准配置: 压缩机、冷凝器、储液器、压控、压力表、过滤器、电磁阀、接线端子等。
Standard configuration of units: compressor, condenser, liquid receiver, pressure controller, pressure gauge, filter, solenoid valve and wiring box, etc.

Medium and High Temperature Air-cooled Condensing Unit 涡旋系列 Scroll Series

Medium and Low Temperature Air-cooled Condensing Unit 涡旋系列 Scroll Series



Note:

- Cooling capacity in the form is calculated when the ambient temperature is 32°C.
- Configuration can be added according to customers' requirements.

机组型号 Model of units		L UW7	L UW8	L UW10	L UW12	L UW13	L UW15	L UW20	L UW22	L UW25	L UW30	
适用蒸发温度(°C) Applicable Temperature(°C)		+10—12°C										
制冷剂 Refrigerant		R22										
电源 Power supply		380V50Hz										
冷凝器 Condenser	风机数量(只) Quantity of Fan(piece)	1	1	2	2	2	2	2	2	2	3	
	风量(m³/h) Air volume(m³/h)	5300	5300	2×5300	2×5300	2×7400	2×7400	2×7400	2×9100	2×9900	3×7400	
	风机功率(W) Power of Fan(W)	449	449	2×449	2×449	2×670	2×670	2×670	2×825	2×937	3×670	
压缩机组制冷量 Refrigerating capacity of compressor units	蒸发温度 +10°C Evaporating Temperature +10°C	制冷量(W) Cooling capacity	24564	31500	33800	39652	47650	52762	61971	77859	94640	
		电功率(W) Power	7700	8100	9700	11950	14000	14260	16748	21043	25578	
	蒸发温度 +5°C Evaporating Temperature +5°C	制冷量(W) Cooling capacity	17150	20100	29200	32000	34200	39400	44647	52210	65172	80306
		电功率(W) Power	5720	7690	8020	9500	11050	13700	14050	15821	19749	24335
	蒸发温度 -5°C Evaporating Temperature -5°C	制冷量(W) Cooling capacity	11660	15300	21500	23000	24500	28200	30626	36330	44482	56304
		电功率(W) Power	5350	7130	7320	9200	9970	12250	13032	15459	18928	23959
蒸发温度 -12°C Evaporating Temperature -12°C	制冷量(W) Cooling capacity	9450	12150	16550	17000	18500	21200	22181	26983	32899	42016	
	电功率(W) Power	5110	6780	7100	7300	9320	11450	12322	14990	18277	23342	
接口 Coupling	出液管接口 Tube coupling	1/2"	1/2"	5/8"	5/8"	5/8"	5/8"	3/4"	3/4"	7/8"	7/8"	
	吸气管接口 Suction coupling	7/8"	1-1/8"	1-1/8"	1-3/8"	1-3/8"	1-3/8"	1-5/8"	1-5/8"	1-5/8"	1-5/8"	
外形尺寸 Overall dimensions	长(L) mm Length	900	900	1330	1330	1480	1730	1600	1700	1750	2200	
	宽(B) mm Width	770	770	950	950	950	1050	1000	1000	1000	1000	
	高(H) mm Height	920	710	910	1010	1010	1020	1650	1780	1880	1780	
安装尺寸 Mounting dimensions	长(D) mm Length	610	610	900	900	1050	1300	900	1000	1050	1500	
	宽(E) mm Width	870	870	920	920	920	1020	920	920	920	920	

机组标准配置: 压缩机、冷凝器、储液器、压控、压力表、过滤器、电磁阀、接线盒等。
Standard configuration of units: compressor, condenser, liquid receiver, pressure controller, pressure gauge, filter, solenoid valve and wiring box, etc.

机组型号 Model of units		L UN2CQFZG	L UN3CQFZG	L UN4CQFZG	L UN5CQFZG	L UN6CQFZG	
适用蒸发温度(°C) Applicable Temperature(°C)		-5—20°C					
制冷剂 Refrigerant		R404A					
电源 Power supply		220V/380V50Hz		380V50Hz			
冷凝器 Condenser	风机数量(只) Quantity of Fan(piece)	1	1	2	2	2	
	风量(m³/h) Air volume(m³/h)	1×1750	1×3100	2×3100	2×3100	2×3100	
	风机功率(W) Power of Fan(W)	129	180	2×180	2×180	2×180	
压缩机组制冷量 Refrigerating capacity of compressor units	蒸发温度 -5°C Evaporating Temperature -5°C	制冷量(W) Cooling capacity	3790	5000	7000	8300	10950
		电功率(W) Power	2000	3100	3900	4800	5640
	蒸发温度 -15°C Evaporating Temperature -15°C	制冷量(W) Cooling capacity	2880	3580	4800	6000	7580
		电功率(W) Power	1950	2900	3770	4850	5400
	蒸发温度 -20°C Evaporating Temperature -20°C	制冷量(W) Cooling capacity	2030	3180	3800	5300	6060
电功率(W) Power		1900	2810	3650	4700	5210	
接口 Coupling	出液管接口 Tube coupling	3/8"	3/8"	1/2"	1/2"	1/2"	
	吸气管接口 Suction coupling	3/4"	3/4"	7/8"	7/8"	7/8"	
外形尺寸 Overall dimensions	长(L) mm Length	600	600	1010	1010	1010	
	宽(B) mm Width	700	700	710	710	710	
	高(H) mm Height	520	570	570	570	670	
安装尺寸 Mounting dimensions	长(D) mm Length	550	550	960	960	960	
	宽(E) mm Width	420	420	420	420	420	

机组标准配置: 压缩机、冷凝器、储液器、压控、压力表、过滤器、电磁阀、接线盒等。
Standard configuration of units: compressor, condenser, liquid receiver, pressure controller, pressure gauge, filter, solenoid valve and wiring box, etc.

机组型号 Model of units		L UW7	L UW8	L UW10	L UW13	L UW15	L UW20	L UW22	L UW25	L UW30	
适用蒸发温度(°C) Applicable Temperature(°C)		+10—20°C									
制冷剂 Refrigerant		R404A									
电源 Power supply		380V50Hz									
冷凝器 Condenser	风机数量(只) Quantity of Fan(piece)	1	1	2	2	2	2	2	2	3	
	风量(m³/h) Air volume(m³/h)	5300	5300	2×5300	2×7400	2×7400	2×7400	2×9100	2×9900	3×7400	
	风机功率(W) Power of Fan(W)	449	449	2×449	2×670	2×670	2×670	2×825	2×937	3×670	
压缩机组制冷量 Refrigerating capacity of compressor units	蒸发温度 +10°C Evaporating Temperature +10°C	制冷量(W) Cooling capacity	25270	33440	41040	49875	52762	63084	78982	97428	
		电功率(W) Power	7921	10482	12865	18000	14260	19116	23933	29523	
	蒸发温度 +5°C Evaporating Temperature +5°C	制冷量(W) Cooling capacity	17640	19950	28300	32500	37300	44647	53636	56764	70076
		电功率(W) Power	5880	7670	9550	12850	15850	13529	20629	21832	26952
	蒸发温度 -5°C Evaporating Temperature -5°C	制冷量(W) Cooling capacity	12510	14650	20700	24000	27500	30626	31832	39854	49201
		电功率(W) Power	5740	7060	8840	11750	14450	13032	16753	20976	26895
蒸发温度 -12°C Evaporating Temperature -12°C	制冷量(W) Cooling capacity	9630	11400	16150	18800	21400	22181	21813	27305	33708	
	电功率(W) Power	5210	6690	8410	11100	13650	12322	16157	20226	24969	
接口 Coupling	出液管接口 Tube coupling	1/2"	1/2"	5/8"	5/8"	5/8"	5/8"	3/4"	7/8"	7/8"	
	吸气管接口 Suction coupling	7/8"	1-1/8"	1-1/8"	1-3/8"	1-3/8"	1-5/8"	1-5/8"	1-5/8"	1-5/8"	
外形尺寸 Overall dimensions	长(L) mm Length	900	900	1330	1480	1730	1600	1700	1750	2200	
	宽(B) mm Width	770	770	950	950	1050	1000	1000	1000	1000	
	高(H) mm Height	920	710	910	1010	1020	1650	1780	1880	1780	
安装尺寸 Mounting dimensions	长(D) mm Length	610	610	900	1050	1300	900	1000	1050	1500	
	宽(E) mm Width	870	870	920	920	1020	920	920	920	920	

机组标准配置: 压缩机、冷凝器、储液器、压控、压力表、过滤器、电磁阀、接线盒等。
Standard configuration of units: compressor, condenser, liquid receiver, pressure controller, pressure gauge, filter, solenoid valve and wiring box, etc.

机组型号 Model of units		L UN8CQFZG	L UN9CQFZG	L UN10CQFZG	L UN13CQFZG	L UN15CQFZG	
适用蒸发温度(°C) Applicable Temperature(°C)		-5—20°C					
制冷剂 Refrigerant		R404A					
电源 Power supply		380V50Hz					
冷凝器 Condenser	风机数量(只) Quantity of Fan(piece)	2	2	2	2	2	
	风量(m³/h) Air volume(m³/h)	2×4500	2×4500	2×4500	2×6100	2×7200	
	风机功率(W) Power of Fan(W)	2×250	2×250	2×250	2×449	2×670	
压缩机组制冷量 Refrigerating capacity of compressor units	蒸发温度 -5°C Evaporating Temperature -5°C	制冷量(W) Cooling capacity	14200	16450	19550	22000	26900
		电功率(W) Power	7580	8190	9370	12900	14750
	蒸发温度 -15°C Evaporating Temperature -15°C	制冷量(W) Cooling capacity	9900	11700	14400	15500	18100
		电功率(W) Power	6940	7560	8890	11700	13600
	蒸发温度 -20°C Evaporating Temperature -20°C	制冷量(W) Cooling capacity	7950	9670	11450	12150	15010
电功率(W) Power		6650	7270	8190	10600	13150	
接口 Coupling	出液管接口 Tube coupling	1/2"	5/8"	5/8"	5/8"	5/8"	
	吸气管接口 Suction coupling	1-1/8"	1-1/8"	1-1/8"	1-3/8"	1-3/8"	
外形尺寸 Overall dimensions	长(L) mm Length	1250	1250	1250	1420	1420	
	宽(B) mm Width	810	810	810	850	850	
	高(H) mm Height	680	780	880	980	1080	
安装尺寸 Mounting dimensions	长(D) mm Length	1180	1180	1180	1380	1380	
	宽(E) mm Width	520	520	520	500	500	

机组标准配置: 压缩机、冷凝器、储液器、压控、压力表、过滤器、电磁阀、接线盒等。
Standard configuration of units: compressor, condenser, liquid receiver, pressure controller, pressure gauge, filter, solenoid valve and wiring box, etc.

Note:

- Cooling capacity in the form is calculated when the ambient temperature is 32°C.
- Configuration can be added according to customers' requirements.

Note:

- Cooling capacity in the form is calculated when the ambient temperature is 32°C.
- Configuration can be added according to customers' requirements.

机组型号 Model of units		LUW2	LUW2.5	LUW3	LUW3.5	LUW4	LUW5	LUW6	LUW7
适用蒸发温度(°C) Applicable Temperature(°C)		-5--30°C							
制冷剂 Refrigerant		R22							
电源 Power supply		220V/380V50Hz				380V50Hz			
冷凝器 Condenser	风机数量(只) Quantity of Fan(piece)	1	1	1	1	2	2	2	1
	风量(m³/h) Air volume(m³/h)	1×3200	1×3200	1×3200	1×3200	2×3200	2×3200	2×3200	1×5300
	风机功率(W) Power of Fan(W)	1×60	1×60	1×60	1×60	2×60	2×60	2×60	1×449
压缩机组制冷量 Refrigerating capacity of compressor units	蒸发温度 Evaporating Temperature -5°C	3780	4530	5060	6370	8150	9170	11110	12420
	制冷量(W) Cooling capacity	1830	2040	2280	2820	3400	4010	4780	5410
	蒸发温度 Evaporating Temperature -10°C	3110	3760	4150	5270	6720	7600	9240	10350
	制冷量(W) Cooling capacity	1830	2030	2260	2760	3440	3890	4710	5280
	蒸发温度 Evaporating Temperature -20°C	2070	2550	2750	3550	4540	5150	6240	6980
	制冷量(W) Cooling capacity	1770	1980	2200	2640	3250	3640	4400	4870
接口 Coupling	出液管接口 Tube coupling	3/8"	3/8"	3/8"	3/8"	1/2"	1/2"	1/2"	1/2"
	吸气管接口 Suction coupling	5/8"	5/8"	5/8"	5/8"	3/4"	3/4"	3/4"	1-1/8"
外形尺寸 Overall dimensions	长(L) mm Length	1010	1010	1010	1010	1010	1010	1010	900
	宽(B) mm Width	410	410	410	410	410	410	410	770
	高(H) mm Height	855	855	855	855	1245	1245	1245	920
安装尺寸 Mounting dimensions	长(D) mm Length	580	580	580	580	580	580	580	610
	宽(E) mm Width	380	380	380	380	380	380	380	870

机组标准配置: 压缩机、冷凝器、储液器、压控、压力表、过滤器、电磁阀、接线端子等。
Standard configuration of units: compressor, condenser, liquid receiver, pressure controller, pressure gauge, filter, solenoid valve and wiring box etc.

机组型号 Model of units		LUW2	LUW2.5	LUW3	LUW3.5	LUW4	LUW5	LUW6	LUW7
适用蒸发温度(°C) Applicable Temperature(°C)		-5--30°C							
制冷剂 Refrigerant		R404A							
电源 Power supply		220V/380V50Hz				380V50Hz			
冷凝器 Condenser	风机数量(只) Quantity of Fan(piece)	1	1	1	1	2	2	2	1
	风量(m³/h) Air volume(m³/h)	1×3200	1×3200	1×3200	1×3200	2×3200	2×3200	2×3200	1×5300
	风机功率(W) Power of Fan(W)	1×60	1×60	1×60	1×60	2×60	2×60	2×60	1×449
压缩机组制冷量 Refrigerating capacity of compressor units	蒸发温度 Evaporating Temperature -5°C	3910	4710	5230	6660	8560	9500	11600	12940
	制冷量(W) Cooling capacity	2020	2250	2530	2960	3850	4340	5380	5920
	蒸发温度 Evaporating Temperature -10°C	3220	3920	4370	5530	7120	7920	9700	10840
	制冷量(W) Cooling capacity	2010	2200	2490	2930	3770	4240	5230	5730
	蒸发温度 Evaporating Temperature -20°C	2140	2640	2980	3790	4780	5450	6650	7410
	制冷量(W) Cooling capacity	1950	2140	2450	2860	3540	3910	4830	5340
接口 Coupling	出液管接口 Tube coupling	3/8"	3/8"	3/8"	3/8"	1/2"	1/2"	1/2"	1/2"
	吸气管接口 Suction coupling	5/8"	5/8"	5/8"	5/8"	3/4"	3/4"	3/4"	1-1/8"
外形尺寸 Overall dimensions	长(L) mm Length	1010	1010	1010	1010	1010	1010	1010	900
	宽(B) mm Width	410	410	410	410	410	410	410	770
	高(H) mm Height	855	855	855	855	1245	1245	1245	920
安装尺寸 Mounting dimensions	长(D) mm Length	580	580	580	580	580	580	580	610
	宽(E) mm Width	380	380	380	380	380	380	380	870

机组标准配置: 压缩机、冷凝器、储液器、压控、压力表、过滤器、电磁阀、接线端子等。
Standard configuration of units: compressor, condenser, liquid receiver, pressure controller, pressure gauge, filter, solenoid valve and wiring box etc.

Note:

- Cooling capacity in the form is calculated when the ambient temperature is 32°C.
- Configuration can be added according to customers' requirements.

机组型号 Model of units		LUW4	LUW5	LUW6	LUW8	LUW10	LUW12	LUW15	LUW18	LUW25	LUW30	LUW40
适用蒸发温度(°C) Applicable Temperature(°C)		0°C--40°C										
制冷剂 Refrigerant		R22										
电源 Power supply		380V50Hz										
冷凝器 Condenser	风机数量(只) Quantity of Fan(piece)	1	1	1	1	1	2	2	2	2	3	3
	风量(m³/h) Air volume(m³/h)	5000	5300	1×5300	1×5300	1×5300	2×4500	2×5300	2×7400	2×9900	3×7400	3×9900
	风机功率(W) Power of Fan(W)	290	449	1×449	1×449	1×449	2×250	2×449	2×670	2×937	3×670	3×937
压缩机组制冷量 Refrigerating capacity of compressor units	蒸发温度 Evaporating Temperature 0°C	10000	13680	14440								
	制冷量(W) Cooling capacity	3560	4800	5730								
	蒸发温度 Evaporating Temperature -10°C	7530	9950	11080	14440	17100	19500	23460		39020	51870	56510
	制冷量(W) Cooling capacity	3570	4560	5220	6910	7800	8870	10660		17900	23577	25690
	蒸发温度 Evaporating Temperature -20°C	5390	6990	7950	9840	11730	13430	16100	19040	27770	36969	40160
	制冷量(W) Cooling capacity	3410	4480	4850	6310	7240	8280	10100	11990	16530	23105	25100
接口 Coupling	出液管接口 Tube coupling	3/8"	1/2"	1/2"	1/2"	5/8"	5/8"	5/8"	5/8"	7/8"	7/8"	1-1/8"
	吸气管接口 Suction coupling	7/8"	7/8"	7/8"	7/8"	7/8"	1-3/8"	1-3/8"	1-3/8"	1-5/8"	1-5/8"	1-5/8"
外形尺寸 Overall dimensions	长(L) mm Length	850	900	900	900	900	1330	1330	1730	1750	2200	2890
	宽(B) mm Width	670	770	770	770	770	850	950	1050	1000	1000	1000
	高(H) mm Height	710	710	920	920	1020	910	1010	1020	1880	1780	1780
安装尺寸 Mounting dimensions	长(D) mm Length	510	610	610	610	610	900	900	1300	1050	1500	2190
	宽(E) mm Width	820	870	870	870	870	820	920	1020	920	920	920

机组标准配置: 压缩机、冷凝器、储液器、压控、压力表、过滤器、电磁阀、接线端子等。
Standard configuration of units: compressor, condenser, liquid receiver, pressure controller, pressure gauge, filter, solenoid valve and wiring box etc.

机组型号 Model of units		LUW4	LUW5	LUW6	LUW8	LUW10	LUW12	LUW15	LUW18	GXW20	LUW25	LUW30	LUW40
适用蒸发温度(°C) Applicable Temperature(°C)		0°C--40°C											
制冷剂 Refrigerant		R404A											
电源 Power supply		380V50Hz											
冷凝器 Condenser	风机数量(只) Quantity of Fan(piece)	1	1	1	1	1	2	2	2	2	2	3	3
	风量(m³/h) Air volume(m³/h)	5000	5300	1×5300	1×5300	1×5300	2×4100	2×5300	2×7400	2×8720	3×9900	3×7400	3×9900
	风机功率(W) Power of Fan(W)	290	449	1×449	1×449	1×449	2×290	2×449	2×670	2×600	2×937	3×670	2×937
压缩机组制冷量 Refrigerating capacity of compressor units	蒸发温度 Evaporating Temperature 0°C	12600	14220	17750									
	制冷量(W) Cooling capacity	3940	4990	6310									
	蒸发温度 Evaporating Temperature -10°C	9130	10690	12920	15730	18354	21710	26400			45590	60638	64710
	制冷量(W) Cooling capacity	3810	4900	5980	7410	8646	9930	12100			20900	27815	29410
	蒸发温度 Evaporating Temperature -20°C	6460	7670	9290	11630	13570	15870	19320	21890	25882	32360	43030	46840
	制冷量(W) Cooling capacity	3650	4920	5600	6860	7950	9070	11060	12860	15228	21570	25311	28650
接口 Coupling	出液管接口 Tube coupling	3/8"	1/2"	1/2"	1/2"	5/8"	5/8"	5/8"	5/8"	3/4"	7/8"	7/8"	1-1/8"
	吸气管接口 Suction coupling	7/8"	7/8"	7/8"	7/8"	7/8"	1-5/8"	1-5/8"	1-5/8"	1-3/8"	1-5/8"	1-5/8"	1-5/8"
外形尺寸 Overall dimensions	长(L) mm Length	850	900	900	900	900	1330	1330	1730	1600	1750	2200	2890
	宽(B) mm Width	670	770	770	770	770	850	950	1050	1000	1000	1000	1000
	高(H) mm Height	710	710	920	920	1020	910	1010	1020	1650	1880	1780	1780
安装尺寸 Mounting dimensions	长(D) mm Length	510	610	610	610	610	900	900	1300	900	1050	1500	2190
	宽(E) mm Width	820	870	870	870	870	820	920	1020	920	920	920	920

机组标准配置: 压缩机、冷凝器、储液器、压控、压力表、过滤器、电磁阀、接线端子等。
Standard configuration of units: compressor, condenser, liquid receiver, pressure controller, pressure gauge, filter, solenoid valve and wiring box etc.

Note:

- Cooling capacity in the form is calculated when the ambient temperature is 32°C.
- Configuration can be added according to customers' requirements.

机组型号 Model of units		LUN3CQFZD	LUN3.5CQFZD	LUN5CQFZD	LUN6CQFZD	LUN7.5CQFZD	
适用蒸发温度(°C) Applicable Temperature(°C)		-20~40°C					
制冷剂 Refrigerant		R22					
电源 Power supply		380V50Hz					
冷凝器 Condenser	风机数量(只) Quantity of Fan(piece)	1	2	2	2	2	
	风量(m³/h) Air volume(m³/h)	1×3100	2×1750	2×3100	2×3100	2×4100	
	风机功率(W) Power of Fan(W)	1×180	2×129	2×180	2×180	2×290	
压缩机组制冷量 Refrigerating capacity of compressor units	蒸发温度 Evaporating Temperature -20°C	制冷量(W) Cooling capacity	3280	4190	5700	6800	8300
		电功率(W) Power	2300	2600	3800	4600	5870
	蒸发温度 Evaporating Temperature -30°C	制冷量(W) Cooling capacity	2200	2850	3910	4600	5770
		电功率(W) Power	2100	2300	3400	4200	5110
	蒸发温度 Evaporating Temperature -40°C	制冷量(W) Cooling capacity	1450	1800	2500	2900	3820
		电功率(W) Power	1900	2100	3100	3900	4200
接口 Coupling	出液管接口 Tube coupling	3/8"	3/8"	1/2"	1/2"	1/2"	
	吸气管接口 Suction coupling	3/4"	3/4"	7/8"	7/8"	1-1/8"	
外形尺寸 Overall dimensions	长(L) mm Length	600	950	1010	1010	1250	
	宽(B) mm Width	700	650	710	710	810	
	高(H) mm Height	580	520	570	670	680	
安装尺寸 Mounting dimensions	长(D) mm Length	550	900	960	960	1180	
	宽(E) mm Width	420	370	420	420	520	

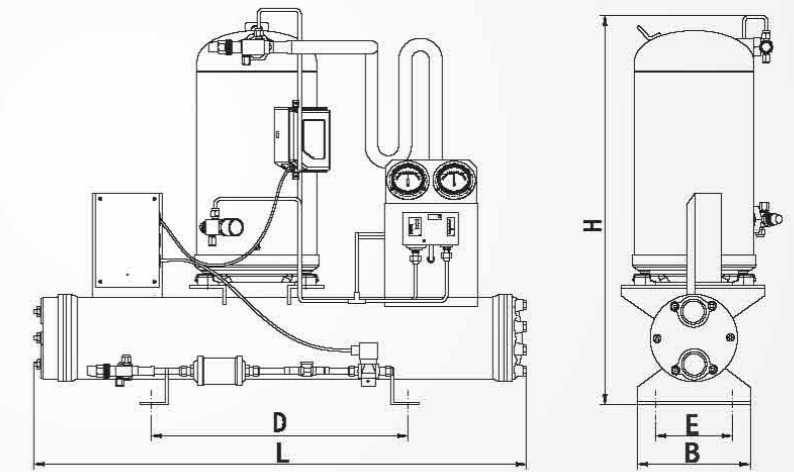
机组标准配置: 压缩机、冷凝器、储液器、压控、压力表、过滤器、电磁阀、接线盒等。
Standard configuration of units: compressor, condenser, liquid receiver, pressure controller, pressure gauge, filter, solenoid valve and wiring box, etc.

机组型号 Model of units		LUN3CQFZD	LUN3.5CQFZD	LUN5CQFZD	LUN6CQFZD	LUN8CQFZD	
适用蒸发温度(°C) Applicable Temperature(°C)		-20~40°C					
制冷剂 Refrigerant		R404A					
电源 Power supply		380V50Hz					
冷凝器 Condenser	风机数量(只) Quantity of Fan(piece)	1	2	2	2	2	
	风量(m³/h) Air volume(m³/h)	1×3100	2×1750	2×3100	2×3100	2×4100	
	风机功率(W) Power of Fan(W)	1×180	2×129	2×180	2×180	2×290	
压缩机组制冷量 Refrigerating capacity of compressor units	蒸发温度 Evaporating Temperature -20°C	制冷量(W) Cooling capacity	3100	4000	5300	6600	8300
		电功率(W) Power	2200	2700	3900	4500	6050
	蒸发温度 Evaporating Temperature -30°C	制冷量(W) Cooling capacity	2190	2800	3800	4700	5950
		电功率(W) Power	2000	2500	3400	4000	5290
	蒸发温度 Evaporating Temperature -40°C	制冷量(W) Cooling capacity	1400	1900	2500	3100	3800
		电功率(W) Power	1900	2300	2900	3600	4580
接口 Coupling	出液管接口 Tube coupling	3/8"	3/8"	1/2"	1/2"	1/2"	
	吸气管接口 Suction coupling	3/4"	3/4"	7/8"	7/8"	1-1/8"	
外形尺寸 Overall dimensions	长(L) mm Length	600	950	1010	1010	1250	
	宽(B) mm Width	700	650	710	710	810	
	高(H) mm Height	580	520	570	670	680	
安装尺寸 Mounting dimensions	长(D) mm Length	550	900	960	960	1180	
	宽(E) mm Width	420	370	420	420	520	

机组标准配置: 压缩机、冷凝器、储液器、压控、压力表、过滤器、电磁阀、接线盒等。
Standard configuration of units: compressor, condenser, liquid receiver, pressure controller, pressure gauge, filter, solenoid valve and wiring box, etc.

Note:

- Cooling capacity in the form is calculated when the ambient temperature is 32°C.
- Configuration can be added according to customers' requirements.

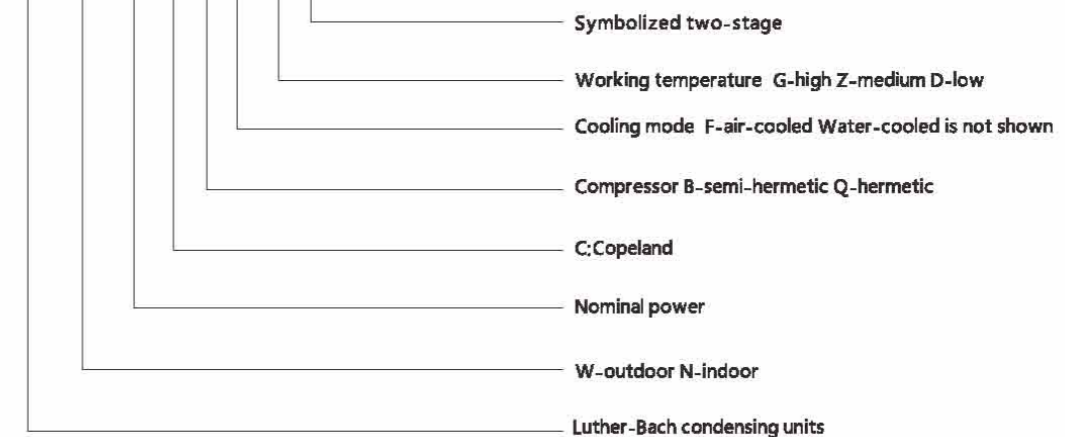


Products features

- Select international brand compressor, good quality, high reliability, low noise and high efficiency.
- Adopt high efficiency shell and tube water-cooled condenser, boast high efficiency of heat exchange and long service life.

型号说明 Model description:

LUW10CBFGS



机组型号 Model of units		LUN5CQZG	LUN6CQZG	LUN8CQZG	LUN9CQZG	LUN10CQZG	LUN12CQZG	
适用蒸发温度(°C) Applicable Temperature(°C)		+10~-12°C						
制冷剂 Refrigerant		R22						
电源 Power supply		380V50Hz						
冷凝器 Condenser	形式 Form	壳管式冷凝器 Shell and tube Condenser						
	额定水流量(m³/h) Rated Water Flow	3.1	3.7	4.9	5.5	6.3	7.2	
压缩机组制冷量 Refrigerating capacity of compressor units	接管规格 Connection Size		1 1/2	1 1/2	1 1/2	1 1/2	1 1/2	1 1/2
	蒸发温度 Evaporating Temperature +10°C	制冷量(W) Cooling capacity	16100	19412	25760	28888	33856	38640
		电功率(W) Power	3744	4514	5990	6718	7873	8986
	蒸发温度 Evaporating Temperature +5°C	制冷量(W) Cooling capacity	12750	15900	21800	25100	31200	35000
		电功率(W) Power	3290	3810	4960	5550	6530	7410
	蒸发温度 Evaporating Temperature -5°C	制冷量(W) Cooling capacity	9290	11850	15750	18300	22500	24900
电功率(W) Power		3150	3760	4880	5410	6360	7220	
蒸发温度 Evaporating Temperature -12°C	制冷量(W) Cooling capacity	7110	9320	12000	14250	17400	18700	
	电功率(W) Power	3100	3710	4880	5340	6270	7100	
接口 Coupling	出液管接口 Tube coupling	1/2"	1/2"	1/2"	5/8"	5/8"	5/8"	
	吸气管接口 Suction coupling	7/8"	7/8"	1-1/8"	1-1/8"	1-1/8"	1-3/8"	
外形尺寸 Overall dimensions	长(L) mm Length	972	972	972	1162	1162	1162	
	宽(B) mm Width	350	450	450	450	450	450	
	高(H) mm Height	726	726	746	875	875	875	
安装尺寸 Mounting dimensions	长(D) mm Length	500	500	500	600	600	600	
	宽(E) mm Width	300	380	380	380	380	380	

机组标准配置: 压缩机、壳管式冷凝器、压控、压力表、过滤器、电磁阀、接线盒等。
Standard configuration of units: compressor, scroll and tube condenser, pressure controller, pressure gauge, filter, solenoid valve and wiring box, etc.

机组型号 Model of units		LUN13CQZG	LUN15CQZG	LUN20CQZG	LUN22CQZG	LUN25CQZG	LUN30CQZG	
适用蒸发温度(°C) Applicable Temperature(°C)		+10~-12°C						
制冷剂 Refrigerant		R22						
电源 Power supply		380V50Hz						
冷凝器 Condenser	形式 Form	壳管式冷凝器 Shell and tube Condenser						
	额定水流量(m³/h) Rated Water Flow	8.1	9.1	12	13	14	17	
压缩机组制冷量 Refrigerating capacity of compressor units	接管规格 Connection Size		1 1/2	1 1/2	2	2	2	2
	蒸发温度 Evaporating Temperature +10°C	制冷量(W) Cooling capacity	41580	50230	55356	64970	81585	98817
		电功率(W) Power	9669	11681	12581	14766	18542	22458
	蒸发温度 Evaporating Temperature +5°C	制冷量(W) Cooling capacity	38000	42800	46892	54694	68466	83922
		电功率(W) Power	8380	12150	12023	14024	17555	21518
	蒸发温度 Evaporating Temperature -5°C	制冷量(W) Cooling capacity	26500	30000	32420	38226	47021	59211
电功率(W) Power		8180	10800	11179	13181	16214	20417	
蒸发温度 Evaporating Temperature -12°C	制冷量(W) Cooling capacity	19500	21300	23975	28961	35272	45006	
	电功率(W) Power	8000	10050	10897	13164	16033	20457	
接口 Coupling	出液管接口 Tube coupling	5/8"	5/8"	5/8"	3/4"	7/8"	7/8"	
	吸气管接口 Suction coupling	1-3/8"	1-3/8"	1-5/8"	1-5/8"	1-5/8"	1-5/8"	
外形尺寸 Overall dimensions	长(L) mm Length	1162	1162	1162	1360	1360	1360	
	宽(B) mm Width	450	450	500	500	500	500	
	高(H) mm Height	875	875	781	781	781	781	
安装尺寸 Mounting dimensions	长(D) mm Length	600	600	600	800	800	800	
	宽(E) mm Width	380	380	400	400	400	400	

机组标准配置: 压缩机、壳管式冷凝器、压控、压力表、过滤器、电磁阀、接线盒等。
Standard configuration of units: compressor, scroll and tube condenser, pressure controller, pressure gauge, filter, solenoid valve and wiring box, etc.

Note:
● Cooling capacity in the form is calculated when the condensing temperature is 40°C.
● Configuration can be added according to customers' requirements.

机组型号 Model of units		LUN5CQZG	LUN6CQZG	LUN8CQZG	LUN9CQZG	LUN10CQZG	LUN13CQZG	
适用蒸发温度(°C) Applicable Temperature(°C)		-5~-20°C						
制冷剂 Refrigerant		R404A						
电源 Power supply		380V50Hz						
冷凝器 Condenser	形式 Form	壳管式冷凝器 Shell and tube Condenser						
	额定水流量(m³/h) Rated Water Flow	2.8	3.3	4.9	5.5	6.3	7.5	
压缩机组制冷量 Refrigerating capacity of compressor units	接管规格 Connection Size		1 1/2	1 1/2	1 1/2	1 1/2	1 1/2	1 1/2
	蒸发温度 Evaporating Temperature -5°C	制冷量(W) Cooling capacity	9120	11100	15600	18750	21400	24400
		电功率(W) Power	3760	4280	5670	6390	7390	9470
	蒸发温度 Evaporating Temperature -10°C	制冷量(W) Cooling capacity	7830	9530	13250	16150	18150	20900
		电功率(W) Power	3760	4300	5650	6360	7330	9380
	蒸发温度 Evaporating Temperature -20°C	制冷量(W) Cooling capacity	5570	6740	9030	11500	12600	14450
电功率(W) Power		3760	4310	5620	6290	7180	9350	
接口 Coupling	出液管接口 Tube coupling	1/2"	1/2"	1/2"	5/8"	5/8"	5/8"	
	吸气管接口 Suction coupling	7/8"	7/8"	7/8"	1-1/8"	1-1/8"	1-3/8"	
外形尺寸 Overall dimensions	长(L) mm Length	972	972	972	1162	1162	1162	
	宽(B) mm Width	350	450	450	450	450	450	
	高(H) mm Height	726	726	726	875	875	875	
安装尺寸 Mounting dimensions	长(D) mm Length	500	500	500	600	600	600	
	宽(E) mm Width	300	380	380	380	380	380	

机组标准配置: 压缩机、壳管式冷凝器、压控、压力表、过滤器、电磁阀、接线盒等。
Standard configuration of units: compressor, scroll and tube condenser, pressure controller, pressure gauge, filter, solenoid valve and wiring box, etc.

机组型号 Model of units		LUN15CQZG	LUN20CQZG	LUN22CQZG	LUN25CQZG	LUN30CQZG	
适用蒸发温度(°C) Applicable Temperature(°C)		-5~-20°C					
制冷剂 Refrigerant		R404A					
电源 Power supply		380V50Hz					
冷凝器 Condenser	形式 Form	壳管式冷凝器 Shell and tube Condenser					
	额定水流量(m³/h) Rated Water Flow	9.1	12	13	14	17	
压缩机组制冷量 Refrigerating capacity of compressor units	接管规格 Connection Size		1 1/2	2	2	2	2
	蒸发温度 Evaporating Temperature -5°C	制冷量(W) Cooling capacity	32200	33282	40302	50454	62289
		电功率(W) Power	11400	12559	15208	19039	23505
	蒸发温度 Evaporating Temperature -10°C	制冷量(W) Cooling capacity	27600	28364	34399	43065	53158
		电功率(W) Power	11300	12332	14956	18724	28112
	蒸发温度 Evaporating Temperature -20°C	制冷量(W) Cooling capacity	17350	18989	23478	29394	36285
电功率(W) Power		11250	11868	14674	18371	22678	
接口 Coupling	出液管接口 Tube coupling	5/8"	5/8"	3/4"	7/8"	7/8"	
	吸气管接口 Suction coupling	1-5/8"	1-5/8"	1-5/8"	1-5/8"	1-5/8"	
外形尺寸 Overall dimensions	长(L) mm Length	1162	1162	1360	1360	1360	
	宽(B) mm Width	450	500	500	500	500	
	高(H) mm Height	875	781	781	781	781	
安装尺寸 Mounting dimensions	长(D) mm Length	600	600	800	800	800	
	宽(E) mm Width	380	400	400	400	400	

机组标准配置: 压缩机、壳管式冷凝器、压控、压力表、过滤器、电磁阀、接线盒等。
Standard configuration of units: compressor, scroll and tube condenser, pressure controller, pressure gauge, filter, solenoid valve and wiring box, etc.

Note:
● Cooling capacity in the form is calculated when the condensing temperature is 40°C.
● Configuration can be added according to customers' requirements.

Medium and Low Temperature Water-cooled Condensing Unit 涡旋ZFI系列 Scroll ZFI Series

机组型号 Model of units		LUN4 CQZD	LUN5 CQZD	LUN6 CQZD	LUN8 CQZD	LUN10 CQZD	LUN12 CQZD	LUN15 CQZD	LUN18 CQZD	LUN25 CQZD	LUN30 CQZD	LUN40 CQZD
适用蒸发温度(°C) Applicable Temperature(°C)		0--40°C										
制冷剂 Refrigerant		R22										
电源 Power supply		380V50Hz										
冷凝器 Condenser	形式 Form	壳管式冷凝器 Shell and tube Condenser										
	额定水流量(m³/h) Rated Water Flow	3.3	3.3	3.3	3.3	4.8	6.3	7.5	9.1	15	18	25
压缩机制冷量 Refrigerating capacity of compressor units	接管规格 Connection Size	1 1/2	1 1/4	1 1/2	1 1/2	1 1/2	1 1/2	1 1/2	1 1/2	2	2	2-1/2
	蒸发温度 Evaporating Temperature 0°C	10160	13995	14670								
	电功率(W) Power	3560	4928	5710								
	蒸发温度 Evaporating Temperature -10°C	7640	10170	11270	14812	17620	20050	24100		40770	51345	59080
	电功率(W) Power	3410	4238	4970	6420	7100	8240	9800		16990	20538	24620
	蒸发温度 Evaporating Temperature -20°C	5450	7137	8080	10160	12030	13890	16100	19680	28530	36000	41430
电功率(W) Power	3160	4461	4480	5710	6300	7500	10100	10840	17830	19890	25890	
蒸发温度 Evaporating Temperature -40°C	2340	3024	3510	4630	5170	6400	7590	9060	13860	17478	19480	
电功率(W) Power	2600	3380	3690	4390	5300	5760	7060	8330	15400	29420	21640	
接口 Coupling	出液管接口 Tube coupling	1/2"	1/2"	1/2"	1/2"	5/8"	5/8"	5/8"	5/8"	7/8"	7/8"	1-1/8"
	吸气管接口 Suction coupling	7/8"	7/8"	7/8"	7/8"	7/8"	1-3/8"	1-3/8"	1-3/8"	1-5/8"	1-5/8"	1-5/8"
外形尺寸 Overall dimensions	长(L) mm Length	972	972	972	972	1162	1162	1162	1162	1162	1360	1350
	宽(B) mm Width	450	450	450	450	450	450	450	450	650	500	700
	高(H) mm Height	726	726	726	726	875	875	875	875	875	1100	950
安装尺寸 Mounting dimensions	长(D) mm Length	500	500	500	500	600	600	600	600	800	800	800
	宽(E) mm Width	380	300	380	380	380	380	380	380	400	400	400

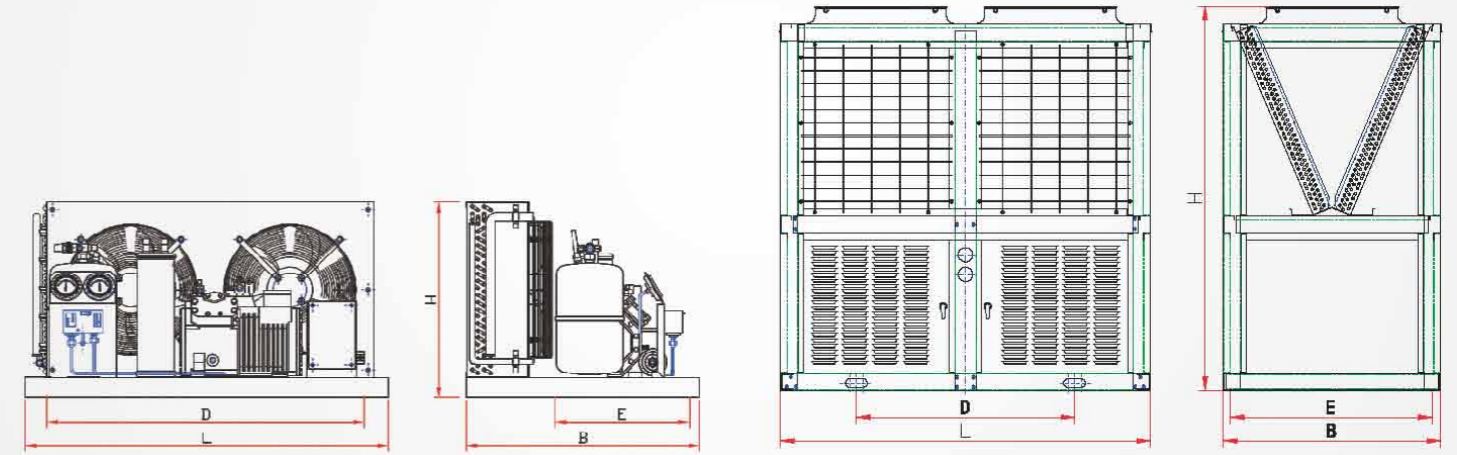
机组标准配置: 压缩机、壳管式冷凝器、压控、压力表、过滤器、电磁阀、接线盒等。
Standard configuration of units: compressor, scroll and tube condenser, pressure controller, pressure gauge, filter, solenoid valve and wiring box, etc.

机组型号 Model of units		LUN4 CQZD	LUN5 CQZD	LUN6 CQZD	LUN8 CQZD	LUN10 CQZD	LUN12 CQZD	LUN15 CQZD	LUN18 CQZD	LUN20 CQZD	LUN25 CQZD	LUN30 CQZD	LUN40 CQZD
适用蒸发温度(°C) Applicable Temperature(°C)		0--40°C											
制冷剂 Refrigerant		R404A											
电源 Power supply		380V50Hz											
冷凝器 Condenser	形式 Form	壳管式冷凝器 Shell and tube Condenser											
	额定水流量(m³/h) Rated Water Flow	3.3	3.3	3.3	3.3	4.8	6.3	7.5	9.1	12	15	18	25
压缩机制冷量 Refrigerating capacity of compressor units	接管规格 Connection Size	1 1/2	1-1/4	1 1/2	1 1/2	1-1/2	1 1/2	1 1/2	1 1/2	2	2	2	2-1/2
	蒸发温度 Evaporating Temperature 0°C	12740	14810	18210									
	电功率(W) Power	3550	5200	5730									
	蒸发温度 Evaporating Temperature -10°C	9130	10980	12920	15730	19330	21710	26400		47610	60012	67690	
	电功率(W) Power	3810	4580	5980	7410	8060	12100	12100		19840	27010	28200	
	蒸发温度 Evaporating Temperature -20°C	6640	7860	9520	12000	14290	16330	19870	22540	25227	33390	42075	47310
电功率(W) Power	3280	4900	5060	6200	7300	8300	10130	1170	13277	20870	22144	29570	
蒸发温度 Evaporating Temperature -40°C	2940	4300	4630	5720	6840	7880	9600	10850	12294	15710	19764	22230	
电功率(W) Power	3020	4780	4250	4820	5600	6700	8160	9490	10784	17450	17337	24700	
接口 Coupling	出液管接口 Tube coupling	1/2"	1/2"	1/2"	1/2"	5/8"	5/8"	5/8"	5/8"	3/4"	7/8"	3/4"	1-1/8"
	吸气管接口 Suction coupling	7/8"	7/8"	7/8"	7/8"	7/8"	1-3/8"	1-3/8"	1-3/8"	1-3/8"	1-5/8"	1-3/8"	1-5/8"
外形尺寸 Overall dimensions	长(L) mm Length	972	972	972	972	1162	1162	1162	1162	1162	1162	1162	1350
	宽(B) mm Width	450	450	450	450	450	450	450	450	450	650	450	700
	高(H) mm Height	726	726	726	726	875	875	875	875	875	875	875	950
安装尺寸 Mounting dimensions	长(D) mm Length	500	500	500	500	600	600	600	600	600	800	600	800
	宽(E) mm Width	380	300	380	380	380	380	380	380	380	400	380	400

机组标准配置: 压缩机、壳管式冷凝器、压控、压力表、过滤器、电磁阀、接线盒等。
Standard configuration of units: compressor, scroll and tube condenser, pressure controller, pressure gauge, filter, solenoid valve and wiring box, etc.

- Note:**
- Cooling capacity in the form is calculated when the condensing temperature is 40°C.
 - Configuration can be added according to customers' requirements.

Semi-hermetic Air-cooled Units

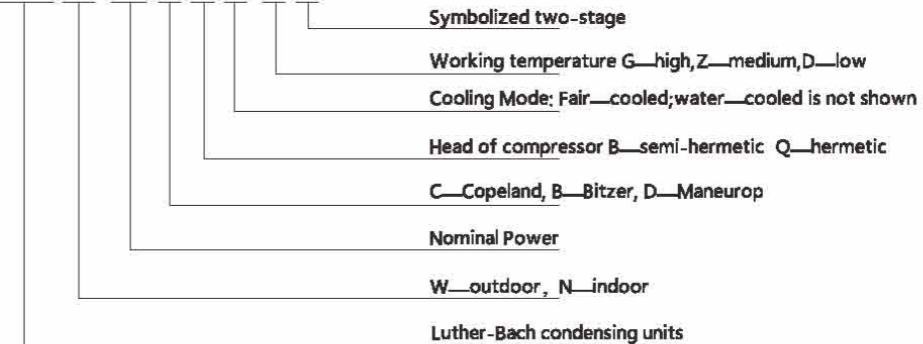


Products features

According to requirements of market development, our company has produced semi-hermetic air cooled units and semi-hermetic box-type condensing units, in order to meet different demands ranging from 12.5°C to -40°C. This product is widely used in industries such as food, medical apparatus, biopharmacy and chemicals, etc.

Model description:

LUW20CBFGS



机组型号 Model of units		LUN3BBFZG	LUN4BBFZG	LUN5BBFZG	LUN10BBFZG	LUN15BBFZG	
适用蒸发温度(°C) Applicable Temperature(°C)		+12.5 ~ -20°C					
制冷剂 Refrigerant		R22					
电源 Power supply		380V50Hz					
冷凝器 Condenser	风机数量(只) Quantity of Fan(piece)	2	2	2	2	2	
	风量(m³/h) Air volume(m³/h)	2×1750	2×3100	2×3100	2×4100	2×7400	
		2×129	2×180	2×180	2×290	2×670	
压缩机组制冷量 Refrigerating capacity of compressor units	蒸发温度 Evaporating Temperature +12.5°C	制冷量(W) Cooling capacity	13580	17070	19250	36900	53300
		电功率(W) Power	3740	4560	5160	8990	13270
	蒸发温度 Evaporating Temperature +5°C	制冷量(W) Cooling capacity	10830	13620	15330	28250	42900
		电功率(W) Power	3340	4050	4590	8440	11680
	蒸发温度 Evaporating Temperature -5°C	制冷量(W) Cooling capacity	7710	9720	10870	19200	30900
		电功率(W) Power	2800	3410	3840	7430	9810
接口 Coupling	出液管接口 Discharge coupling	3/8"	1/2"	1/2"	5/8"	5/8"	
	吸气管接口 Suction coupling	5/8"	7/8"	7/8"	1-1/8"	1-5/8"	
外形尺寸 Overall dimensions	长(L) mm Length	1010	1010	1010	1420	1420	
	宽(B) mm Width	710	710	710	900	900	
	高(H) mm Height	570	570	670	930	1080	
安装尺寸 Mounting dimensions	长(D) mm Length	960	960	960	1370	1370	
	宽(E) mm Width	420	420	420	570	570	

机组标准配置: 压缩机、冷凝器、储液器、压控、压力表、过滤器、电磁阀、接线盒等。
Standard configuration of units: compressor, condenser, liquid receiver, pressure controller, pressure gauge, filter, solenoid valve and wiring box, etc.

机组型号 Model of units		LUN2BBFZD	LUN4BBFZD	LUN5BBFZD	LUN8BBFZD	LUN10BBFZD	
适用蒸发温度(°C) Applicable Temperature(°C)		-5 ~ -40°C					
制冷剂 Refrigerant		R22					
电源 Power supply		380V50Hz					
冷凝器 Condenser	风机数量(只) Quantity of Fan(piece)	1	2	2	2	2	
	风量(m³/h) Air volume(m³/h)	1×3100	2×3100	2×3100	2×4100	2×4100	
		1×180	2×180	2×180	2×290	2×290	
压缩机组制冷量 Refrigerating capacity of compressor units	蒸发温度 Evaporating Temperature -5°C	制冷量(W) Cooling capacity	6830	11930	15060	23000	26700
		电功率(W) Power	3110	5170	6180	9710	11290
	蒸发温度 Evaporating Temperature -15°C	制冷量(W) Cooling capacity	4700	8200	10290	16340	18920
		电功率(W) Power	2450	4110	4870	7560	8750
	蒸发温度 Evaporating Temperature -20°C	制冷量(W) Cooling capacity	4110	7110	8610	13400	15510
		电功率(W) Power	2290	3810	4440	6640	7650
接口 Coupling	出液管接口 Discharge coupling	3/8"	3/8"	1/2"	5/8"	5/8"	
	吸气管接口 Suction coupling	7/8"	1-1/8"	1-1/8"	1-3/8"	1-3/8"	
外形尺寸 Overall dimensions	长(L) mm Length	600	1010	1010	1250	1420	
	宽(B) mm Width	700	710	710	810	900	
	高(H) mm Height	570	570	670	780	930	
安装尺寸 Mounting dimensions	长(D) mm Length	550	960	960	1200	1370	
	宽(E) mm Width	410	420	420	510	570	

机组标准配置: 压缩机、冷凝器、储液器、压控、压力表、过滤器、电磁阀、接线盒等。
Standard configuration of units: compressor, condenser, liquid receiver, pressure controller, pressure gauge, filter, solenoid valve and wiring box, etc.

机组型号 Model of units		LUW20BBFZG	LUW25BBFZG	LUW30BBFZG	LUW40BBFZG	LUW50BBFZG	
适用蒸发温度(°C) Applicable Temperature(°C)		+12.5 ~ -20°C					
制冷剂 Refrigerant		R22					
电源 Power supply		380V50Hz					
冷凝器 Condenser	风机数量(只) Quantity of Fan(piece)	2	2	2	3	3	
	风量(m³/h) Air volume(m³/h)	2×9900	2×11500	2×16800	3×15000	3×19000	
		2×937	2×750	2×1100	3×750	3×1100	
压缩机组制冷量 Refrigerating capacity of compressor units	蒸发温度 Evaporating Temperature +12.5°C	制冷量(W) Cooling capacity	59300	80500	92300	138500	163200
		电功率(W) Power	16930	19560	23400	35200	43000
	蒸发温度 Evaporating Temperature +5°C	制冷量(W) Cooling capacity	48100	59300	70700	99000	125300
		电功率(W) Power	14750	19870	21700	32600	40100
	蒸发温度 Evaporating Temperature -5°C	制冷量(W) Cooling capacity	34900	43100	48100	72200	85700
		电功率(W) Power	12120	16060	19040	28600	35500
接口 Coupling	出液管接口 Discharge coupling	3/4"	3/4"	3/4"	1-1/8"	1-1/8"	
	吸气管接口 Suction coupling	1-5/8"	2-1/8"	2-1/8"	2-1/8"	2-1/8"	
外形尺寸 Overall dimensions	长(L) mm Length	1750	1900	2710	2890	3770	
	宽(B) mm Width	1000	1175	1000	1175	1175	
	高(H) mm Height	1880	1980	1780	1880	1880	
安装尺寸 Mounting dimensions	长(D) mm Length	1050	1200	2010	2190	3070	
	宽(E) mm Width	920	1100	920	1100	1100	

机组标准配置: 压缩机、冷凝器、储液器、压控、压力表、过滤器、电磁阀、接线盒等。
Standard configuration of units: compressor, condenser, liquid receiver, pressure controller, pressure gauge, filter, solenoid valve and wiring box, etc.

机组型号 Model of units		LUW15BBFZD	LUW20BBFZD	LUW25BBFZD	LUW30BBFZD	LUW40BBFZD	
适用蒸发温度(°C) Applicable Temperature(°C)		-5 ~ -40°C					
制冷剂 Refrigerant		R22					
电源 Power supply		380V50Hz					
冷凝器 Condenser	风机数量(只) Quantity of Fan(piece)	2	2	2	2	3	
	风量(m³/h) Air volume(m³/h)	2×7400	2×9900	2×11500	2×16800	3×15000	
		2×670	2×937	2×750	2×1100	3×750	
压缩机组制冷量 Refrigerating capacity of compressor units	蒸发温度 Evaporating Temperature -5°C	制冷量(W) Cooling capacity	43200	48150	58800	71700	78292
		电功率(W) Power	17090	20710	28200	30100	36450
	蒸发温度 Evaporating Temperature -15°C	制冷量(W) Cooling capacity	29800	33550	41450	46500	51152
		电功率(W) Power	13340	15960	21410	25000	30600
	蒸发温度 Evaporating Temperature -20°C	制冷量(W) Cooling capacity	24100	27300	33850	36300	40112
		电功率(W) Power	11540	13770	18310	22310	27540
接口 Coupling	出液管接口 Discharge coupling	3/4"	3/4"	7/8"	7/8"	1-1/8"	
	吸气管接口 Suction coupling	1-5/8"	2-1/8"	2-1/8"	2-1/8"	2-1/8"	
外形尺寸 Overall dimensions	长(L) mm Length	1470	1750	1900	2710	2890	
	宽(B) mm Width	1000	1000	1175	1000	1175	
	高(H) mm Height	1080	1880	1980	1780	1880	
安装尺寸 Mounting dimensions	长(D) mm Length	1200	1050	1200	2010	2190	
	宽(E) mm Width	960	920	1100	920	1100	

机组标准配置: 压缩机、冷凝器、储液器、压控、压力表、过滤器、电磁阀、接线盒等。
Standard configuration of units: compressor, condenser, liquid receiver, pressure controller, pressure gauge, filter, solenoid valve and wiring box, etc.

Note:

- Refrigerating capacity in the form is calculated when the ambient temperature is 32°C.
- Configuration can be added according to customers' requirements.

Note:

- Refrigerating capacity in the form is calculated when the ambient temperature is 32°C.
- Configuration can be added according to customers' requirements.

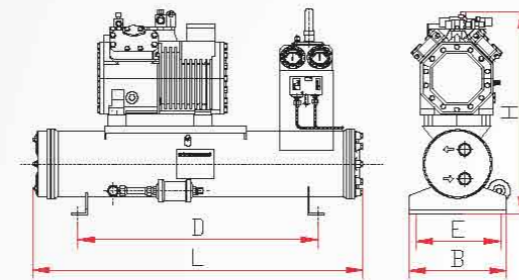
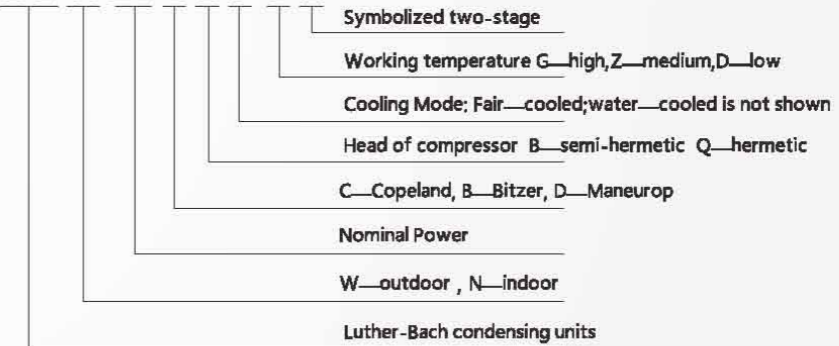
Semi-hermetic Water-cooled Units

Products features

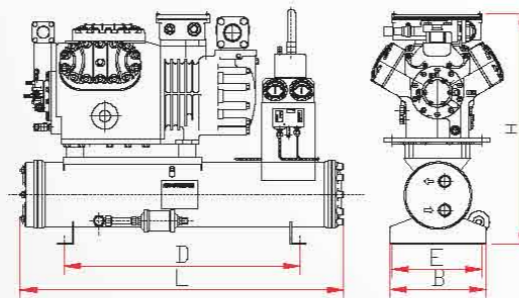
- Bitzer semi-hermetic refrigerating compressors with good quality and reliable operation;
- Adopt high efficiency shell and tube condenser, high efficiency of heat exchange and long service life;
- The operation of this compressor has low noise and high efficiency, the unit has nice appearance.

Model description:

L U W 20 C B F G S



Medium and High Temperature



Medium and Low Temperature

Medium and High Temperature Water-cooled Condensing Unit

Semi-Hermetic Series

机组型号 Model of units		LUN10BBZG	LUN15BBZG	LUN20BBZG	LUN25BBZG	LUN30BBZG	LUN40BBZG	LUN50BBZG
适用蒸发温度(°C) Applicable Temperature(°C)		+5 ~ -20°C						
制冷剂 Refrigerant		R22						
电源 Power supply		380V50Hz						
冷凝器 Condenser	形式 Form	壳管式冷凝器 Shell and tube Condenser						
	额定水流量(m ³ /h) Rated water flow	8.8	12.5	14.5	19	21	32	38
压缩机容量 Refrigerating capacity of compressor units	蒸发温度 Temperature 0°C	24030	34965	40500	51570	59130	88650	104670
	蒸发温度 Temperature -10°C	16299	23400	30100	34515	39600	59400	94770
接口 Coupling	出液管接口 Discharge coupling	5/8"	5/8"	5/8"	3/4"	3/4"	1-1/8"	1-1/8"
	吸气管接口 Suction coupling	1-1/8"	1-5/8"	1-5/8"	2-1/8"	2-1/8"	2-1/8"	2-1/8"
外形尺寸 Overall dimensions	长 (L) mm Length	1716	1175	1175	1266	1616	1266	1616
	宽 (B) mm Width	320	360	360	417	417	452	452
	高 (H) mm Height	609	671	671	739	739	783	783
安装尺寸 Mounting dimensions	长 (D) mm Length	700	800	800	800	1000	800	1000
	宽 (E) mm Width	280	315	315	330	330	330	330

机组标准配置: 压缩机、冷凝器、储液器、压控、压力表、过滤器、电磁阀、接线盒等。
Standard configuration of units: compressor, condenser, liquid receiver, pressure controller, pressure gauge, filter, solenoid valve and wiring box, etc.

Note:

- Refrigerating capacity in the form is calculated when the ambient temperature is 40°C.
- Configuration can be added according to customers' requirements.

Medium and Low Temperature Water-cooled Condensing Unit

Semi-Hermetic Series

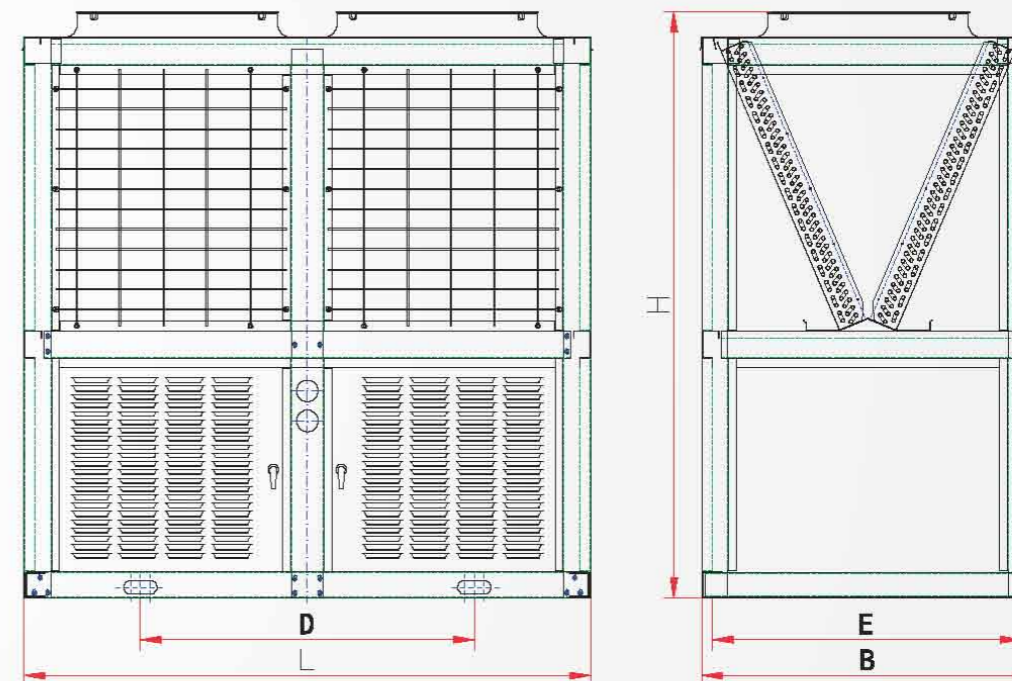
机组型号 Model of units		LUN8BBZD	LUN10BBZD	LUN15BBZD	LUN20BBZD	LUN25BBZD	LUN30BBZD	LUN40BBZD
适用蒸发温度(°C) Applicable Temperature(°C)		-5 ~ -40°C						
制冷剂 Refrigerant		R22						
电源 Power supply		380V50Hz						
冷凝器 Condenser	形式 Form	壳管式冷凝器 Shell and tube Condenser						
	额定水流量(m ³ /h) Rated water flow	5.5	7	11	14.5	17	17	20
压缩机容量 Refrigerating capacity of compressor units	蒸发温度 Temperature -15°C	16056	18630	27450	31590	45000	47430	56340
	蒸发温度 Temperature -25°C	9900	11439	16650	19350	24975	28980	34830
接口 Coupling	出液管接口 Discharge coupling	5/8"	5/8"	3/4"	3/4"	7/8"	7/8"	1-1/8"
	吸气管接口 Suction coupling	1-3/8"	1-3/8"	1-5/8"	2-1/8"	2-1/8"	2-1/8"	2-1/8"
外形尺寸 Overall dimensions	长 (L) mm Length	1016	1716	1175	1175	1266	1616	1266
	宽 (B) mm Width	320	320	360	417	452	452	452
	高 (H) mm Height	609	609	671	735	731	731	783
安装尺寸 Mounting dimensions	长 (D) mm Length	700	700	800	800	800	1000	800
	宽 (E) mm Width	280	280	315	315	330	330	330

机组标准配置: 压缩机、冷凝器、储液器、压控、压力表、过滤器、电磁阀、接线盒等。
Standard configuration of units: compressor, condenser, liquid receiver, pressure controller, pressure gauge, filter, solenoid valve and wiring box, etc.

Note:

- Refrigerating capacity in the form is calculated when the ambient temperature is 40°C.
- Configuration can be added according to customers' requirements.

Two-stage Semi-hermetic Air-cooled Units

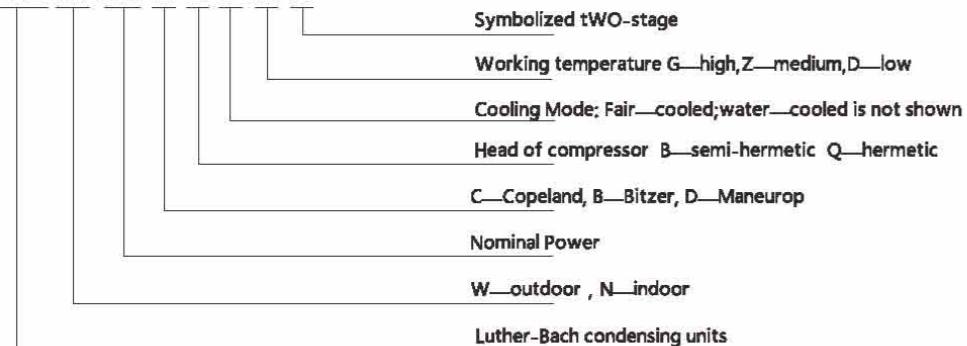


Products features

- uses stage semi-hermetic refrigerating compressors with good quality and high reliability.
- uses imported famous-brand refrigerating spare parts, complete configuration, so as to ensure the reliable operation of units.
- equipped with intercooler greatly improve the cooling capacity and energy-consumption ratio.
- adopt copper tubes and aluminum fins condensers, high efficiency of heat exchange and long service life.

Model description:

LUW20CBFGS



Medium and Low Temperature Air-cooled Condensing Unit

Double-stage Series

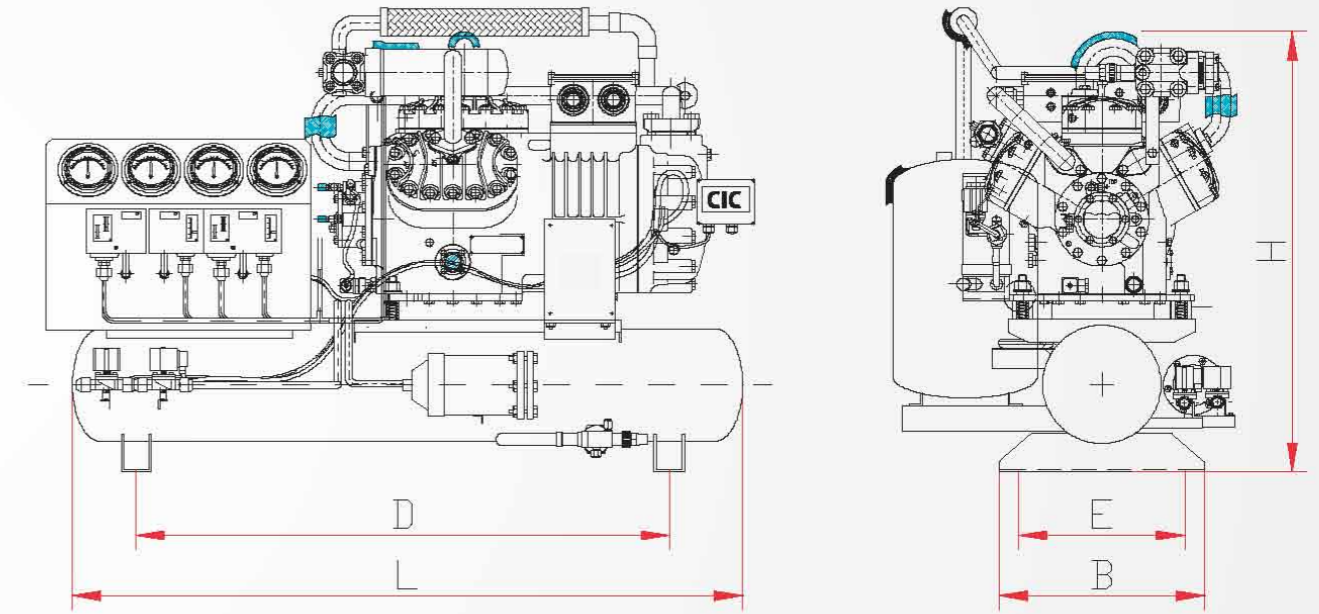
机组型号 Model of units		LUW58BFZDS	LUW88BFZDS	LUW128BFZDS	LUW168BFZDS	LUW208BFZDS	LUW258BFZDS	LUW308BFZDS
适用蒸发温度(°C) Applicable Temperature(°C)		-25 ~ -45°C						
制冷剂 Refrigerant		R22						
电源 Power supply		380V50Hz						
冷凝器 Condenser	形式 Form	2	2	2	2	2	2	3
	额定水流量(m³/h) Rated water flow	2×3100	2×4100	2×7400	2×9100	2×9900	2×11500	3×16800
压缩机组制冷量 Refrigerating capacity of compressor units	接管规格 Connection Size	2×180	2×290	2×670	2×825	2×937	2×750	3×1100
	蒸发温度 Evaporating Temperature +5°C	制冷量(W) Cooling capacity 5000	7240	10930	16320	19020	21700	26000
	电功率(W) Power 3750	5600	8460	11970	13870	15920	19050	
	蒸发温度 Evaporating Temperature -10°C	制冷量(W) Cooling capacity 3950	5580	8580	12920	14980	17200	20600
	电功率(W) Power 3410	5080	7680	10580	12260	14070	16840	
	蒸发温度 Evaporating Temperature -15°C	制冷量(W) Cooling capacity 3020	4310	6510	9810	11370	13060	15620
电功率(W) Power 3040	4560	6890	9170	10630	12200	14600		
接口 Coupling	出液管接口 Tube coupling	5/8"	5/8"	5/8"	3/4"	7/8"	7/8"	7/8"
	吸气管接口 Suction coupling	1-1/8"	1-1/8"	1-3/8"	1-5/8"	1-5/8"	1-5/8"	1-5/8"
外形尺寸 Overall dimensions	长(L) mm Length	1010	1230	1550	1700	1750	1900	2650
	宽(B) mm Width	710	800	900	1000	1000	1175	1000
	高(H) mm Height	670	780	1500	1780	1880	1980	1780
安装尺寸 Mounting dimensions	长(D) mm Length	960	1180	900	900	1050	1200	1950
	宽(E) mm Width	420	520	820	920	920	1100	920

机组标准配置: 压缩机、冷凝器、储液器、压控、压力表、过滤器、电磁阀、接线盒等。
Standard configuration of units: compressor, condenser, liquid receiver, pressure controller, pressure gauge, filter, solenoid valve and wiring box, etc.

Note:

- Cooling capacity in the form is calculated when the ambient temperature is 32°C.
- Configuration can be added according to customers' requirements.

Double – stage Semi- hermetic Water- cooled Units

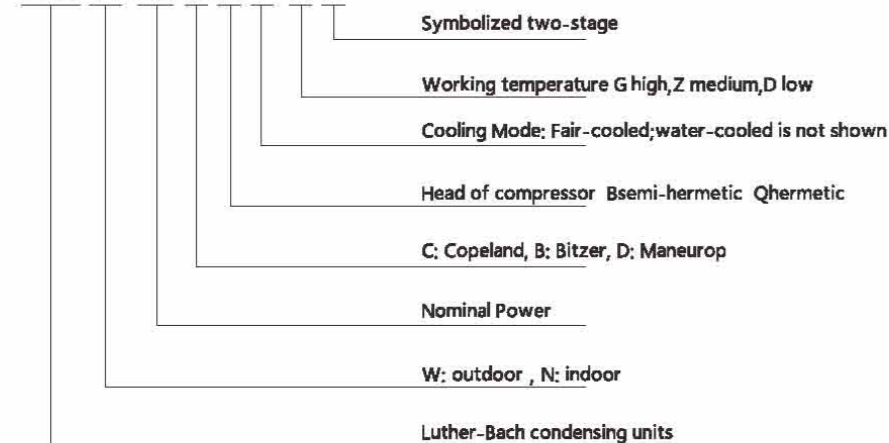


Products features

- Bitzer alone double-stage semi-hermetic refrigerating compressors are chosen since they are equipped with good quality and high reliability.
- Refrigerating spare are all imported famous brands and have complete configuration so as to ensure the reliable operation of units.
- Adopt high efficiency shell and tube condenser, boast high efficiency of heat exchange and long service life.
- Intercooler in the units enhances refrigerating capacity and energy-efficiency ratio greatly.

Model description:

L U W 20 C B F G S



Medium and Low Temperature Water-cooled Condensing Unit

Double-stage Series

机组型号 Model of units		LUN5BBZDS	LUN8BBZDS	LUN12BBZDS	LUN16BBZDS	LUN20BBZDS	LUN25BBZDS	LUN30BBZDS
适用蒸发温度(°C) Applicable Temperature(°C)		-25 ~ -40°C						
制冷剂 Refrigerant		R22						
电源 Power supply		380V50Hz						
冷凝器 Condenser	形式 Form	壳管式冷凝器 Shell and tube Condenser						
	额定水流量(m³/h) Rated water flow	2	3	4	5.6	6.6	7.5	10
压缩机组制冷量 Refrigerating capacity of compressor units	接管规格 Connection Size	1-1/4"	1-1/2"	2"	2"	2"	2"	2"
	蒸发温度 Evaporating Temperature +5°C	5100	7380	11150	16490	19120	21900	26300
	电功率(W) Power	3550	5300	8000	11350	13200	15100	18100
	蒸发温度 Evaporating Temperature -10°C	4010	5810	8780	13090	15170	17420	20800
电功率(W) Power	蒸发温度 Evaporating Temperature -10°C	3230	4810	7260	10100	11670	13400	16000
	蒸发温度 Evaporating Temperature -15°C	3080	4440	6700	10000	11600	13310	15930
接口 Coupling	出液管接口 Tube coupling	5/8"	5/8"	5/8"	3/4"	7/8"	7/8"	7/8"
	吸气管接口 Suction coupling	1-1/8"	1-1/8"	1-3/8"	1-5/8"	1-5/8"	1-5/8"	1-5/8"
外形尺寸 Overall dimensions	长 (L) mm Length	1016	1016	1716	1175	1175	1266	1616
	宽 (B) mm Width	481	481	482	536	536	536	536
	高 (H) mm Height	677	677	716	809	809	809	809
安装尺寸 Mounting dimensions	长 (D) mm Length	700	700	700	800	800	800	1000
	宽 (E) mm Width	230	280	280	315	315	330	330

机组标准配置: 压缩机、冷凝器、储液器、压控、压力表、过滤器、电磁阀、接线盒等。
Standard configuration of units: compressor, condenser, liquid receiver, pressure controller, pressure gauge, filter, solenoid valve and wiring box, etc.

Note:

- Cooling capacity in the form is calculated when the ambient temperature is 32°C.
- Configuration can be added according to customers' requirements.

Piston Compressor Parallel Units(triple)

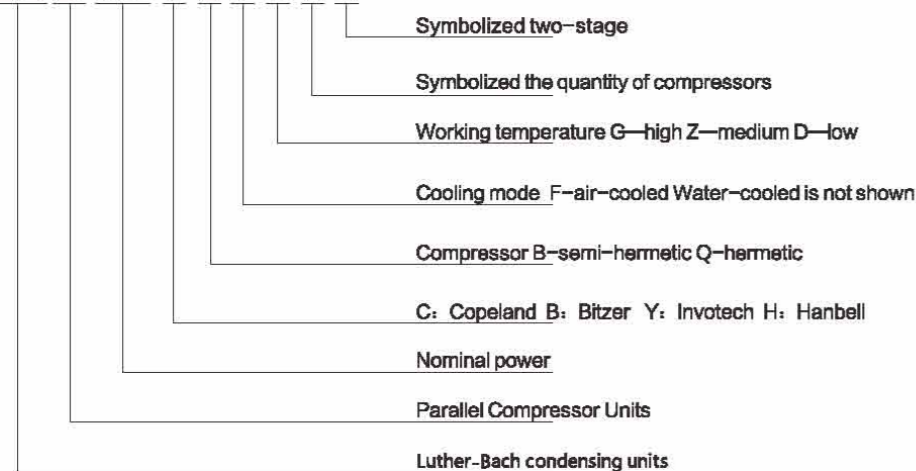


Products features

- Use the international brand refrigerating compressor, good quality and high reliability.
- Multiple compressors are connected in parallel, public exhaust trunk, suction trunk, condenser and liquid receiver form a refrigerating cycle system, the unit has large refrigerating capacity, and facilitate centralized control.
- With compact structure, this product can be installed in a centralized way, so as to occupy less space.
- According to changes of cooling load, multi-level energy regulation is available, as a result, operation costs of the equipment are reduced substantially, the effect of machine fault on the operation is minimized as much as possible, and operational reliability of the unit is enhanced.

Model description:

LUB100CBFGNS



Semi-hermetic air-cooled medium and high temperature parallel units

机组型号 Model of units		LUB20CBFG2 LUB30CBFG2 LUB40CBFG2 LUB50CBFG2 LUB60CBFG2 LUB70CBFG2 LUB80CBFG2 LUB100CBFG2								
适用蒸发温度(°C) Applicable Temperature(°C)		+10--15°C								
制冷剂 Refrigerant		R22								
电源 Power supply		380V50Hz								
冷却容量/功率 Cooling capacity/Power	蒸发温度 Evaporating Temperature 0°C	制冷量(W)Cooling capacity	50000	70200	80200	104400	124000	158600	182400	215800
		电功率(kW)Power	14.80	23.12	26.40	33.60	39.12	50.40	59.20	75.00
	蒸发温度 Evaporating Temperature -5°C	制冷量(W)Cooling capacity	41000	58200	68000	87000	101600	128400	149200	177400
		电功率(kW)Power	14.00	20.40	24.60	31.26	35.88	47.40	55.60	67.60
	蒸发温度 Evaporating Temperature -10°C	制冷量(W)Cooling capacity	32440	47600	55000	68200	82000	104600	121000	140800
		电功率(kW)Power	12.80	18.72	22.60	29.60	33.84	44.00	51.60	61.00
接口 Coupling	吸气管接口 Suction coupling	42	54	54	67	79	79	79	79	
	出液管接口 Tube coupling	22	22	28	28	28	35	35	35	
外形尺寸 Overall dimensions	长(L) mm Length	2600								
	宽(B) mm Width	1200								
	高(H) mm Height	2000								

Remarks: Ambient temperature is 32°C

机组型号 Model of units		LUB20CBFG2 LUB30CBFG2 LUB40CBFG2 LUB50CBFG2 LUB60CBFG2 LUB70CBFG2 LUB80CBFG2 LUB100CBFG2								
适用蒸发温度(°C) Applicable Temperature(°C)		+10--15°C								
制冷剂 Refrigerant		R404A								
电源 Power supply		380V50Hz								
冷却容量/功率 Cooling capacity/Power	蒸发温度 Evaporating Temperature 0°C	制冷量(W)Cooling capacity	53000	57800	70000	101400	115800	137600	148000	183160
		电功率(kW)Power	22.6	29.4	33.4	42	50	64.4	77.4	81.2
	蒸发温度 Evaporating Temperature -5°C	制冷量(W)Cooling capacity	45000	53800	59800	85600	99000	118000	128600	150880
		电功率(kW)Power	20.8	29.7	30.3	38.7	45.8	58.4	69.8	74.8
	蒸发温度 Evaporating Temperature -10°C	制冷量(W)Cooling capacity	37700	45600	50400	71200	83400	99800	110000	123260
		电功率(kW)Power	18.96	26.6	27.3	35.4	41.6	52.6	62.6	68.0
接口 Coupling	吸气管接口 Suction coupling	42	54	54	67	79	79	79	79	
	出液管接口 Tube coupling	22	22	28	28	28	35	35	35	
外形尺寸 Overall dimensions	长(L) mm Length	2600								
	宽(B) mm Width	1200								
	高(H) mm Height	2000								

Remarks: Ambient temperature is 32°C

机组型号 Model of units		LUB30CBFZG3 LUB45CBFZG3 LUB60CBFZG3 LUB75CBFZG3 LUB90CBFZG3 LUB105CBFZG3 LUB120CBFZG3 LUB150CBFZG3								
适用蒸发温度(°C) Applicable Temperature(°C)		+10~+15°C								
制冷剂 Refrigerant		R22								
电源 Power supply		380V50Hz								
冷却能力/功率 Cooling capacity/Power	蒸发温度 Evaporating Temperature 0°C	制冷量(W)Cooling capacity	75000	105300	120300	156600	186000	237900	273600	323400
		电功率(kW)Power	22.20	34.68	39.60	50.40	58.68	75.60	88.80	112.50
	蒸发温度 Evaporating Temperature -5°C	制冷量(W)Cooling capacity	61500	87300	102000	130500	152400	192600	223800	266100
		电功率(kW)Power	21.00	30.60	36.90	46.89	53.82	71.10	83.40	101.40
	蒸发温度 Evaporating Temperature -10°C	制冷量(W)Cooling capacity	48660	71400	82500	102300	123000	156900	181500	211200
		电功率(kW)Power	19.20	28.08	33.90	44.40	50.76	56.00	77.40	97.50
接口 Coupling	吸气管接口 Suction coupling	54	67	79	79	79	108	108	108	
	出液管接口 Tube coupling	22	28	28	35	35	35	42	42	
外形尺寸 Overall dimensions	长(L) mm Length	3250								
	宽(B) mm Width	1200								
	高(H) mm Height	2000								

Remarks: Ambient temperature is 32°C

机组型号 Model of units		LUB20CBFZD2 LUB30CBFZD2 LUB30CBFZD2 LUB40CBFZD2 LUB50CBFZD2 LUB64CBFZD2 LUB80CBFZD2							
适用蒸发温度(°C) Applicable Temperature(°C)		-5~-40°C							
制冷剂 Refrigerant		R22							
电源 Power supply		380V50Hz							
冷却能力/功率 Cooling capacity/Power	蒸发温度 Evaporating Temperature -20°C	制冷量(W)Cooling capacity	22420	29780	41140	48400	61200	72000	91000
		电功率(kW)Power	12.50	17.66	24.06	27.90	37.14	43.80	53.60
	蒸发温度 Evaporating Temperature -30°C	制冷量(W)Cooling capacity	11380	17140	23040	23040	35400	42400	51200
		电功率(kW)Power	9.04	13.40	18.60	21.92	28.14	32.04	39.96
	蒸发温度 Evaporating Temperature -40°C	制冷量(W)Cooling capacity	6160	7720	12520	12980	16300	19520	24180
		电功率(kW)Power	6.28	8.94	13.00	15.38	19.96	22.08	28.00
接口 Coupling	吸气管接口 Suction coupling	42	54	54	67	79	79	79	
	出液管接口 Tube coupling	22	22	22	22	28	28	28	
外形尺寸 Overall dimensions	长(L) mm Length	2600							
	宽(B) mm Width	1200							
	高(H) mm Height	2000							

Remarks: Ambient temperature is 32°C

机组型号 Model of units		LUB30CBFZG3 LUB45CBFZG3 LUB60CBFZG3 LUB75CBFZG3 LUB90CBFZG3 LUB105CBFZG3 LUB120CBFZG3 LUB150CBFZG3								
适用蒸发温度(°C) Applicable Temperature(°C)		+10~+15°C								
制冷剂 Refrigerant		R404A								
电源 Power supply		380V50Hz								
冷却能力/功率 Cooling capacity/Power	蒸发温度 Evaporating Temperature 0°C	制冷量(W)Cooling capacity	79500	86700	105000	152100	173700	206400	222000	374740
		电功率(kW)Power	33.9	44.1	50.1	63	75	96.6	116.1	121.8
	蒸发温度 Evaporating Temperature -5°C	制冷量(W)Cooling capacity	67500	80700	89700	128400	148500	177000	192900	226320
		电功率(kW)Power	31.2	44.55	45.45	58.05	68.7	87.6	104.7	112.2
	蒸发温度 Evaporating Temperature -10°C	制冷量(W)Cooling capacity	56550	68400	75600	106800	125100	149700	165000	184890
		电功率(kW)Power	28.44	33.9	40.95	53.1	62.4	78.9	93.9	102
接口 Coupling	吸气管接口 Suction coupling	54	67	79	79	79	108	108	108	
	出液管接口 Tube coupling	22	28	28	35	35	35	42	42	
外形尺寸 Overall dimensions	长(L) mm Length	3250								
	宽(B) mm Width	1200								
	高(H) mm Height	2000								

Remarks: Ambient temperature is 32°C

机组型号 Model of units		LUB20CBFZD2 LUB30CBFZD2 LUB30CBFZD2 LUB40CBFZD2 LUB50CBFZD2 LUB64CBFZD2 LUB80CBFZD2							
适用蒸发温度(°C) Applicable Temperature(°C)		-5~-40°C							
制冷剂 Refrigerant		R404A							
电源 Power supply		380V50Hz							
冷却能力/功率 Cooling capacity/Power	蒸发温度 Evaporating Temperature -20°C	制冷量(W)Cooling capacity	25100	31200	46900	48400	66800	80000	96000
		电功率(kW)Power	15.42	20.9	27.6	34.6	44	48	56.4
	蒸发温度 Evaporating Temperature -30°C	制冷量(W)Cooling capacity	15220	19720	28860	31700	42600	49100	58200
		电功率(kW)Power	12.1	16.0	20.7	25.8	33.4	35.1	42
	蒸发温度 Evaporating Temperature -40°C	制冷量(W)Cooling capacity	7546	10720	14050	17960	23300	23960	27700
		电功率(kW)Power	7.7	11.96	14.30	18.4	24	23.5	28.6
接口 Coupling	吸气管接口 Suction coupling	42	54	54	67	79	79	79	
	出液管接口 Tube coupling	22	22	22	22	28	28	28	
外形尺寸 Overall dimensions	长(L) mm Length	2600							
	宽(B) mm Width	1200							
	高(H) mm Height	2000							

Remarks: Ambient temperature is 32°C

机组型号 Model of units			LUB30CBFZD3	LUB45CBFZD3	LUB45CBFZD3	LUB60CBFZD3	LUB75CBFZD3	LUB96CBFZD3	LUB120CBFZD3	
适用蒸发温度(°C) Applicable Temperature(°C)			-5--40°C							
制冷剂 Refrigerant			R22							
电源 Power supply			380V50Hz							
冷却容量/功率 Cooling capacity/Power	蒸发温度 Evaporating Temperature 0°C	制冷量(W)Cooling capacity	33630	44670	61710	72600	91800	108000	136500	
		电功率(kW)Power	18.75	26.49	36.09	41.85	55.71	65.70	80.40	
	蒸发温度 Evaporating Temperature -5°C	制冷量(W)Cooling capacity	17070	256560	34560	40680	53100	63600	76800	
		电功率(kW)Power	14.10	20.10	27.90	32.88	42.21	48.06	59.94	
	蒸发温度 Evaporating Temperature -10°C	制冷量(W)Cooling capacity	9240	11580	18780	19470	24450	29280	36270	
		电功率(kW)Power	9.42	13.41	19.50	23.07	29.94	33.12	42.00	
接口 Coupling	吸气管接口 Suction coupling	54	54	67	79	79	79	108		
	出液管接口 Tube coupling	22	22	28	28	28	35	35		
外形尺寸 Overall dimensions	长(L) mm Length	3250								
	宽(B) mm Width	1200								
	高(H) mm Height	2000								

Remarks:Ambient temperature is 32°C

机组型号 Model of units			LUB30CBFZD3	LUB45CBFZD3	LUB45CBFZD3	LUB60CBFZD3	LUB75CBFZD3	LUB96CBFZD3	LUB120CBFZD3	
适用蒸发温度(°C) Applicable Temperature(°C)			-5--40°C							
制冷剂 Refrigerant			R404A							
电源 Power supply			380V50Hz							
冷却容量/功率 Cooling capacity/Power	蒸发温度 Evaporating Temperature 0°C	制冷量(W)Cooling capacity	37650	46800	70350	72600	10200	120000	144000	
		电功率(kW)Power	23.12	31.35	41.4	51.9	66	72	84.6	
	蒸发温度 Evaporating Temperature -5°C	制冷量(W)Cooling capacity	22830	29580	43290	47550	63900	73650	87300	
		电功率(kW)Power	18.15	24	31.05	38.7	50.1	52.65	63	
	蒸发温度 Evaporating Temperature -10°C	制冷量(W)Cooling capacity	11310	16080	21075	26940	34950	35940	41550	
		电功率(kW)Power	11.55	17.94	21.45	27.6	36	35.25	42.9	
接口 Coupling	吸气管接口 Suction coupling	54	54	67	79	79	79	108		
	出液管接口 Tube coupling	22	22	28	28	28	35	35		
外形尺寸 Overall dimensions	长(L) mm Length	3250								
	宽(B) mm Width	1200								
	高(H) mm Height	2000								

Remarks:Ambient temperature is 32°C

机组型号 Model of units			LUB20CBZG2	LUB30CBZG2	LUB40CBZG2	LUB50CBZG2	LUB60CBZG2	LUB70CBZG2	LUB80CBZG2	LUB100CBZG2
适用蒸发温度(°C) Applicable Temperature(°C)			+10--15°C							
制冷剂 Refrigerant			R22							
电源 Power supply			380V50Hz							
冷凝器 Condenser	形式 Form		高效壳管式 High efficient shell and tube Condenser							
	额定水流量(m³/h) Rated Water Flow		13.5	19.0	22.6	29.0	33.0	43.0	50.0	60.0
	接管规格 Connection Size		2"	2"	2-1/2"	2-1/2"	2-1/2"	2-1/2"	3"	3"
冷却容量/功率 Cooling capacity/Power	蒸发温度 Evaporating Temperature 0°C	制冷量(W)Cooling capacity	56000	75800	86400	111600	131000	160000	190400	232600
		电功率(kW)Power	16.74	23.12	24.52	31.70	38.00	47.20	57.20	66.60
	蒸发温度 Evaporating Temperature -5°C	制冷量(W)Cooling capacity	45800	62000	72000	94400	107600	131600	156200	191800
		电功率(kW)Power	16.42	22.70	24.08	30.34	35.34	44.60	52.80	62.20
	蒸发温度 Evaporating Temperature -10°C	制冷量(W)Cooling capacity	36220	50000	58000	72800	86000	108000	125600	151800
		电功率(kW)Power	14.98	20.64	22.62	28.36	32.98	44.56	48.40	59.60
接口 Coupling	吸气管接口 Suction coupling	42	54	54	67	79	79	79	79	
	出液管接口 Tube coupling	22	22	28	28	28	35	35	35	
外形尺寸 Overall dimensions	长(L) mm Length	2350								
	宽(B) mm Width	1300								
	高(H) mm Height	2000								

Remarks:Condensing temperature is 40°C

机组型号 Model of units			LUB20CBZG2	LUB30CBZG2	LUB40CBZG2	LUB50CBZG2	LUB60CBZG2	LUB70CBZG2	LUB80CBZG2	LUB100CBZG2
适用蒸发温度(°C) Applicable Temperature(°C)			+10--15°C							
制冷剂 Refrigerant			R404A							
电源 Power supply			380V50Hz							
冷凝器 Condenser	形式 Form		高效壳管式 High efficient shell and tube Condenser							
	额定水流量(m³/h) Rated Water Flow		13.5	19.0	22.6	29.0	33.0	43.0	50.0	60.0
	接管规格 Connection Size		2"	2"	2-1/2"	2-1/2"	2-1/2"	2-1/2"	3"	3"
冷却容量/功率 Cooling capacity/Power	蒸发温度 Evaporating Temperature 0°C	制冷量(W)Cooling capacity	56000	74400	78800	113800	130000	155000	168400	201400
		电功率(kW)Power	16.74	27.0	27.0	35.8	42.2	54	64.8	76.4
	蒸发温度 Evaporating Temperature -5°C	制冷量(W)Cooling capacity	45800	64800	67600	96400	111400	133200	146400	166800
		电功率(kW)Power	16.42	25.4	26.1	33.8	39.8	50.6	60.4	71.6
	蒸发温度 Evaporating Temperature -10°C	制冷量(W)Cooling capacity	36220	55600	57200	80400	94200	113000	125600	136000
		电功率(kW)Power	14.98	23.6	24.2	31.4	36.9	46.8	55.6	65.8
接口 Coupling	吸气管接口 Suction coupling	42	54	54	67	79	79	79	79	
	出液管接口 Tube coupling	22	22	28	28	28	35	35	35	
外形尺寸 Overall dimensions	长(L) mm Length	2350								
	宽(B) mm Width	1300								
	高(H) mm Height	2000								

Remarks:Condensing temperature is 40°C

Semi-hermetic water-cooled medium and high temperature parallel units

机组型号 Model of units		LUB90CBZG3	LUB45CBZG3	LUB60CBZG3	LUB75CBZG3	LUB90CBZG3	LUB105CBZG3	LUB120CBZG3	LUB150CBZG3	
适用蒸发温度(°C) Applicable Temperature(°C)		+10~15°C								
制冷剂 Refrigerant		R22								
电源 Power supply		380V50Hz								
冷凝器 Condenser	形式 Form	高效壳管式 High efficient shell and tube Condenser								
	额定水流量(m³/h) Rated Water Flow	20.0	29.0	34.0	43.0	50.0	65.0	75.5	90.0	
	接管规格 Connection Size	2-1/2"	2-1/2"	2-1/2"	2-1/2"	3"	4"	4"	4"	
制冷能力/功率 Cooling capacity/Power	蒸发温度 Evaporating Temperature 0°C	制冷量(W)Cooling capacity	84000	113700	129600	167400	196500	240000	285600	342900
		电功率(kW)Power	25.11	34.68	36.78	47.55	57.00	70.80	85.80	96.90
	蒸发温度 Evaporating Temperature -5°C	制冷量(W)Cooling capacity	68700	93000	108000	137100	161400	197400	234300	281700
		电功率(kW)Power	24.63	34.05	36.12	45.51	53.01	66.90	79.20	93.30
	蒸发温度 Evaporating Temperature -10°C	制冷量(W)Cooling capacity	54330	75000	87000	109200	129000	162000	188400	227700
		电功率(kW)Power	22.47	30.96	33.93	42.54	49.47	66.84	72.60	89.40
接口 Coupling	吸气管接口 Suction coupling	54	67	79	79	79	108	108	108	
	出液管接口 Tube coupling	22	28	28	35	35	35	42	42	
外形尺寸 Overall dimensions	长(L) mm Length	3000								
	宽(B) mm Width	1300								
	高(H) mm Height	2000								

Remarks:Condensing temperature is 40°C

机组型号 Model of units		LUB90CBZG3	LUB45CBZG3	LUB60CBZG3	LUB75CBZG3	LUB90CBZG3	LUB105CBZG3	LUB120CBZG3	LUB150CBZG3	
适用蒸发温度(°C) Applicable Temperature(°C)		+10~15°C								
制冷剂 Refrigerant		R404A								
电源 Power supply		380V50Hz								
冷凝器 Condenser	形式 Form	高效壳管式 High efficient shell and tube Condenser								
	额定水流量(m³/h) Rated Water Flow	20.0	29.0	34.0	43.0	50.0	65.0	75.5	90.0	
	接管规格 Connection Size	2-1/2"	2-1/2"	2-1/2"	2-1/2"	3"	4"	4"	4"	
制冷能力/功率 Cooling capacity/Power	蒸发温度 Evaporating Temperature 0°C	制冷量(W)Cooling capacity	89400	109560	118200	170700	195200	232500	252600	302100
		电功率(kW)Power	28.77	35.64	41.4	53.7	63.3	81	97.2	114.6
	蒸发温度 Evaporating Temperature -5°C	制冷量(W)Cooling capacity	75900	90600	101400	144600	167100	199800	219600	249900
		电功率(kW)Power	27.18	38.7	39.15	50.7	59.7	75.9	90.6	107.4
	蒸发温度 Evaporating Temperature -10°C	制冷量(W)Cooling capacity	63900	51400	85800	120600	141300	169500	188400	204000
		电功率(kW)Power	25.26	35.55	36.3	47.1	55.35	70.2	83.4	98.7
接口 Coupling	吸气管接口 Suction coupling	54	67	79	79	79	108	108	108	
	出液管接口 Tube coupling	22	28	28	35	35	35	42	42	
外形尺寸 Overall dimensions	长(L) mm Length	3000								
	宽(B) mm Width	1300								
	高(H) mm Height	2000								

Remarks:Condensing temperature is 40°C

Semi-hermetic water-cooled medium and low temperature parallel units(with DTC hydrojet system)

机组型号 Model of units		LUB20CBZD2	LUB30CBZD2	LUB30CBZD2	LUB40CBZD2	LUB50CBZD2	LUB64CBZD2	LUB80CBZD2	
适用蒸发温度(°C) Applicable Temperature(°C)		-5~40°C							
制冷剂 Refrigerant		R22							
电源 Power supply		380V50Hz							
冷凝器 Condenser	形式 Form	高效壳管式 High efficient shell and tube Condenser							
	额定水流量(m³/h) Rated Water Flow	8.8	9.5	14.0	16.0	20.0	23.0	29.0	
	接管规格 Connection Size	2"	2"	2"	2-1/2"	2-1/2"	2-1/2"	3"	
制冷能力/功率 Cooling capacity/Power	蒸发温度 Evaporating Temperature 0°C	制冷量(W)Cooling capacity	24000	32600	45400	52800	66200	77200	99000
		电功率(kW)Power	12.44	17.00	23.40	26.80	36.00	41.22	50.60
	蒸发温度 Evaporating Temperature -5°C	制冷量(W)Cooling capacity	13600	18680	26460	30520	38000	44200	57800
		电功率(kW)Power	9.40	13.00	18.24	21.30	27.42	31.40	39.22
	蒸发温度 Evaporating Temperature -10°C	制冷量(W)Cooling capacity	6660	8880	13460	15560	18720	22960	29540
		电功率(kW)Power	6.24	9.10	13.00	14.88	19.72	22.40	28.32
接口 Coupling	吸气管接口 Suction coupling	42	54	54	67	79	79	79	
	出液管接口 Tube coupling	22	22	22	22	28	28	28	
外形尺寸 Overall dimensions	长(L) mm Length	3000							
	宽(B) mm Width	1300							
	高(H) mm Height	2000							

Remarks:Condensing temperature is 40°C

机组型号 Model of units		LUB20CBZD2	LUB30CBZD2	LUB30CBZD2	LUB40CBZD2	LUB50CBZD2	LUB64CBZD2	LUB80CBZD2	
适用蒸发温度(°C) Applicable Temperature(°C)		-5~40°C							
制冷剂 Refrigerant		R404A							
电源 Power supply		380V50Hz							
冷凝器 Condenser	形式 Form	高效壳管式 High efficient shell and tube Condenser							
	额定水流量(m³/h) Rated Water Flow	8.8	9.5	14.0	16.0	20.0	23.0	29.0	
	接管规格 Connection Size	2"	2"	2"	2-1/2"	2-1/2"	2-1/2"	3"	
制冷能力/功率 Cooling capacity/Power	蒸发温度 Evaporating Temperature 0°C	制冷量(W)Cooling capacity	28600	35700	52000	55400	76400	89000	108000
		电功率(kW)Power	13.42	19.04	26.8	31.5	40	56.4	54.8
	蒸发温度 Evaporating Temperature -5°C	制冷量(W)Cooling capacity	17700	22800	32200	36800	49400	55000	65000
		电功率(kW)Power	10.56	14.44	20.4	24	31	35.4	41.6
	蒸发温度 Evaporating Temperature -10°C	制冷量(W)Cooling capacity	8810	12960	16200	21400	28100	27700	32000
		电功率(kW)Power	7.95	10.44	14.4	16.78	20.8	23.8	29
接口 Coupling	吸气管接口 Suction coupling	42	54	54	67	79	79	79	
	出液管接口 Tube coupling	22	22	22	22	28	28	28	
外形尺寸 Overall dimensions	长(L) mm Length	3000							
	宽(B) mm Width	1300							
	高(H) mm Height	2000							

Remarks:Condensing temperature is 40°C

Semi-hermetic water-cooled medium and low temperature parallel units(with DTC hydrojet system)

机组型号 Model of units		LUB30CBZD3 LUB45CBZD3 LUB45CBZD3 LUB60CBZD3 LUB75CBZD3 LUB96CBZD3 LUB120CBZD3							
适用蒸发温度(°C) Applicable Temperature(°C)		-5--40°C							
制冷剂 Refrigerant		R22							
电源 Power supply		380V50Hz							
冷凝器 Condenser	形式 Form	高效壳管式 High efficient shell and tube Condenser							
	额定水流量(m³/h) Rated Water Flow	12.0	15.0	20.0	23.0	31.0	35.0	44.0	
	接管规格 Connection Size	2"	2"	2-1/2"	2-1/2"	3"	3"	3"	
制冷能力 Cooling capacity/Power	蒸发温度 Evaporating Temperature -20°C	制冷量(W)Cooling capacity	36000	48900	68100	79200	99300	115800	148500
		电功率(kW)Power	18.66	25.50	35.10	40.20	54.00	61.83	75.90
	蒸发温度 Evaporating Temperature -30°C	制冷量(W)Cooling capacity	20400	28020	39690	45780	57000	66300	86700
		电功率(kW)Power	14.10	19.50	27.36	31.95	41.13	47.10	58.83
	蒸发温度 Evaporating Temperature -40°C	制冷量(W)Cooling capacity	9990	13320	20190	23340	28080	34440	44310
		电功率(kW)Power	9.36	13.65	19.50	22.32	29.58	33.60	42.48
接口 Coupling	吸气管接口 Suction coupling	54	54	67	79	79	79	108	
	出液管接口 Tube coupling	22	22	28	28	28	35	35	
外形尺寸 Overall dimensions	长(L) mm Length	3000							
	宽(B) mm Width	1300							
	高(H) mm Height	2000							

Remarks:Condensing temperature is 40°C

机组型号 Model of units		LUB30CBZD3 LUB45CBZD3 LUB45CBZD3 LUB60CBZD3 LUB75CBZD3 LUB96CBZD3 LUB120CBZD3							
适用蒸发温度(°C) Applicable Temperature(°C)		-5--40°C							
制冷剂 Refrigerant		R404A							
电源 Power supply		380V50Hz							
冷凝器 Condenser	形式 Form	高效壳管式 High efficient shell and tube Condenser							
	额定水流量(m³/h) Rated Water Flow	12.0	15.0	20.0	23.0	31.0	35.0	44.0	
	接管规格 Connection Size	2"	2"	2-1/2"	2-1/2"	3"	3"	3"	
制冷能力 Cooling capacity/Power	蒸发温度 Evaporating Temperature -20°C	制冷量(W)Cooling capacity	42900	53550	78000	83100	114600	133500	159000
		电功率(kW)Power	20.13	28.56	40.2	47.25	60	84.6	82.2
	蒸发温度 Evaporating Temperature -30°C	制冷量(W)Cooling capacity	26550	34200	48300	55200	74100	82500	97500
		电功率(kW)Power	15.84	21.66	30.6	36	46.5	53.1	62.4
	蒸发温度 Evaporating Temperature -40°C	制冷量(W)Cooling capacity	13215	19440	24300	32100	42150	41550	48000
		电功率(kW)Power	11.93	15.56	21.6	25.17	31.2	35.7	43.5
接口 Coupling	吸气管接口 Suction coupling	54	54	67	79	79	79	108	
	出液管接口 Tube coupling	22	22	28	28	28	35	35	
外形尺寸 Overall dimensions	长(L) mm Length	3000							
	宽(B) mm Width	1300							
	高(H) mm Height	2000							

Remarks:Condensing temperature is 40°C

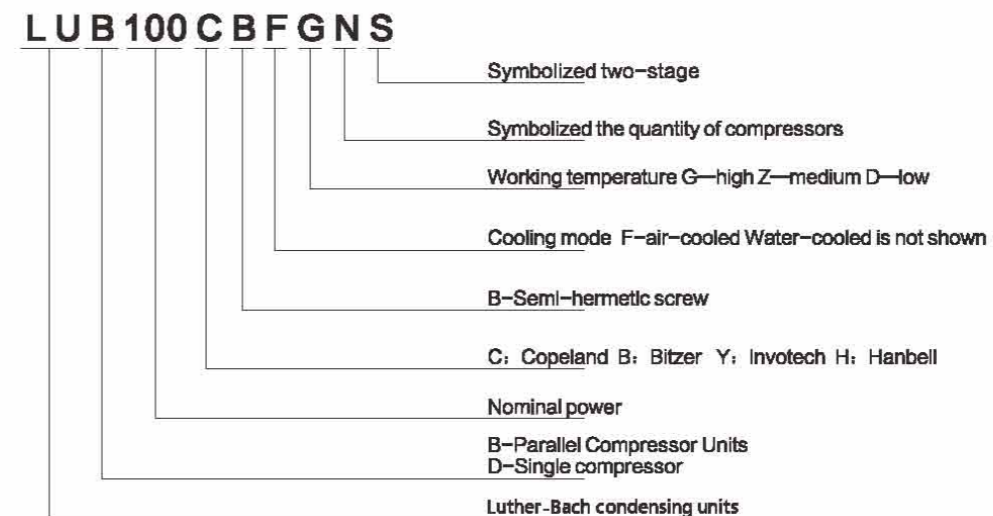
Screw Compressor Units



Products features

- Use the international brand refrigerating compressor,good quality and high reliability.
- Multiple compressors are connected in parallel,public exhaust trunk,suction trunk,condenser and liquid receiver form a refrigerating cycle system,the unit has large refrigerating capacity,and facilitate centralized control.
- With compact structure,this product can be installed in a centralized way,so as to occupy less space.
- According to changes of cooling load,multi-level energy regulation is available.As a result,operation costs of the eq-ipment are reduced substantially,the effect of machine fault on the operation is minimized as much as possible,and operational reliability of the unit is enhanced.

Model description:



机组型号 Model of units		LUD30HBZG	LUD40HBZG	LUD50HBZG	LUD60HBZG	LUD70HBZG	LUD80HBZG	LUD90HBZG	
适用蒸发温度(°C) Applicable Temperature(°C)		+10~15°C							
制冷剂 Refrigerant		R22							
电源 Power supply		380V50Hz							
冷凝器 Condenser	形式 Form	高效壳管式 High efficient shell and tube Condenser							
	额定水流量(m³/h) Rated Water Flow	18	24	31	42	46	56	62	
接管规格 Connection Size		2-1/2"	2-1/2"	2-1/2"	3"	4"	4"	4"	
冷却能力/功率 Cooling capacity/Power	蒸发温度 Evaporating Temperature 0°C	制冷量(kW)Cooling capacity	73.8	100.6	132.0	175.2	192.3	239.4	262.0
		电功率(kW)Power	22.9	30.2	37.8	50.5	55.1	65.1	71.8
	蒸发温度 Evaporating Temperature -5°C	制冷量(kW)Cooling capacity	61.0	83.3	109.2	145.0	159.1	198.1	216.7
		电功率(kW)Power	21.9	28.9	36.2	48.4	52.7	62.4	69.0
	蒸发温度 Evaporating Temperature -10°C	制冷量(kW)Cooling capacity	50.1	68.4	89.7	119.1	130.7	162.3	178.0
		电功率(kW)Power	21.0	27.7	34.7	46.3	50.4	59.7	66.8
接口 Coupling	吸气管接口 Suction coupling	54	54	66	76	76	76	108	
	出液管接口 Tube coupling	28	28	35	35	35	35	42	
外形尺寸 Overall dimensions	长(L) mm Length	1700	1700	2150	2300	2300	2600	2600	
	宽(B) mm Width	670	670	680	770	770	850	850	
	高(H) mm Height	1100	1100	1100	1250	1250	1300	1300	

Remarks:Condensing temperature is 40°C

机组型号 Model of units		LUD30HBZD	LUD40HBZD	LUD50HBZD	LUD60HBZD	LUD70HBZD	LUD80HBZD	LUD90HBZD	
适用蒸发温度(°C) Applicable Temperature(°C)		+10~30°C							
制冷剂 Refrigerant		R22							
电源 Power supply		380V50Hz							
冷凝器 Condenser	形式 Form	高效壳管式 High efficient shell and tube Condenser							
	额定水流量(m³/h) Rated Water Flow	11	15	18	25	27	34	37	
接管规格 Connection Size		2-1/2"	2-1/2"	2-1/2"	3"	4"	4"	4"	
冷却能力/功率 Cooling capacity/Power	蒸发温度 Evaporating Temperature -20°C	制冷量(kW)Cooling capacity	36.8	50.2	65.9	87.5	96.0	119.5	130.7
		电功率(kW)Power	21.5	28.3	35.5	47.3	51.6	61.1	67.2
	蒸发温度 Evaporating Temperature -25°C	制冷量(kW)Cooling capacity	30.1	41.1	53.8	71.5	78.5	97.7	106.8
		电功率(kW)Power	20.8	27.4	34.4	45.9	50.0	59.3	65.2
	蒸发温度 Evaporating Temperature -30°C	制冷量(kW)Cooling capacity	24.3	33.2	43.5	57.7	63.4	79.0	86.4
		电功率(kW)Power	20.1	26.4	33.2	44.3	48.2	57.1	62.9
接口 Coupling	吸气管接口 Suction coupling	54	54	66	76	76	76	108	
	出液管接口 Tube coupling	28	28	35	35	35	35	42	
外形尺寸 Overall dimensions	长(L) mm Length	1700	1700	2150	2300	2300	2600	2600	
	宽(B) mm Width	670	670	680	770	770	850	850	
	高(H) mm Height	1400	1400	1150	1300	1300	1350	1350	

Remarks:Condensing temperature is 40°C,operating with economizer.

机组型号 Model of units		LUD100HBZG	LUD110HBZG	LUD125HBZG	LUD130HBZG	LUD140HBZG	LUD150HBZG	
适用蒸发温度(°C) Applicable Temperature(°C)		+10~15°C						
制冷剂 Refrigerant		R22						
电源 Power supply		380V50Hz						
冷凝器 Condenser	形式 Form	高效壳管式 High efficient shell and tube Condenser						
	额定水流量(m³/h) Rated Water Flow	67	73	88	92	100	110	
接管规格 Connection Size		5"	5"	5"	5"	6"	6"	
冷却能力/功率 Cooling capacity/Power	蒸发温度 Evaporating Temperature 0°C	制冷量(kW)Cooling capacity	283.6	312.2	371.5	392.2	429.5	465.1
		电功率(kW)Power	78.2	87.0	101.0	106.7	115.6	124.4
	蒸发温度 Evaporating Temperature -5°C	制冷量(kW)Cooling capacity	234.6	258.3	307.4	324.5	355.3	384.8
		电功率(kW)Power	74.9	83.3	96.8	102.2	110.7	119.2
	蒸发温度 Evaporating Temperature -10°C	制冷量(kW)Cooling capacity	192.7	212.1	252.5	266.6	291.9	316.4
		电功率(kW)Power	71.8	79.8	92.7	97.8	106	114.1
接口 Coupling	吸气管接口 Suction coupling	108	108	108	108	108	108	
	出液管接口 Tube coupling	42	42	42	42	42	42	
外形尺寸 Overall dimensions	长(L) mm Length	2600	2850	2850	3150	3150	3200	
	宽(B) mm Width	850	850	850	850	850	870	
	高(H) mm Height	1300	1300	1300	1350	1350	1450	

Remarks:Condensing temperature is 40°C

机组型号 Model of units		LUD100HBZD	LUD110HBZD	LUD125HBZD	LUD130HBZD	LUD140HBZD	LUD150HBZD	
适用蒸发温度(°C) Applicable Temperature(°C)		+10~30°C						
制冷剂 Refrigerant		R22						
电源 Power supply		380V50Hz						
冷凝器 Condenser	形式 Form	高效壳管式 High efficient shell and tube Condenser						
	额定水流量(m³/h) Rated Water Flow	40	44	52	55	60	65	
接管规格 Connection Size		5"	5"	5"	5"	6"	6"	
冷却能力/功率 Cooling capacity/Power	蒸发温度 Evaporating Temperature -20°C	制冷量(kW)Cooling capacity	141.5	155.8	185.5	195.8	214.4	232.1
		电功率(kW)Power	73.4	81.6	94.7	100.0	108.4	116.7
	蒸发温度 Evaporating Temperature -25°C	制冷量(kW)Cooling capacity	115.7	127.3	151.6	180.0	175.2	289.7
		电功率(kW)Power	71.2	79.1	91.9	97.0	105.1	113.2
	蒸发温度 Evaporating Temperature -30°C	制冷量(kW)Cooling capacity	93.5	102.9	122.5	129.3	141.6	153.3
		电功率(kW)Power	68.6	76.3	88.6	93.5	101.4	109.1
接口 Coupling	吸气管接口 Suction coupling	108	108	108	108	108	108	
	出液管接口 Tube coupling	42	42	42	42	42	42	
外形尺寸 Overall dimensions	长(L) mm Length	2600	2850	2850	3150	3150	3150	
	宽(B) mm Width	850	850	850	850	850	870	
	高(H) mm Height	1300	1300	1300	1650	1650	1650	

Remarks:Condensing temperature is 40°C,operating with economizer.

机组型号 Model of units			LUD30HBFZG LUD40HBFZG LUD50HBFZG LUD60HBFZG LUD70HBFZG LUD80HBFZG LUD90HBFZG						
适用蒸发温度(°C) Applicable Temperature(°C)			+10~15℃						
制冷剂 Refrigerant			R22						
电源 Power supply			380V50Hz						
冷却容量/功率 Cooling capacity/Power	蒸发温度 Evaporating Temperature 0℃	制冷量(kW)Cooling capacity	67.1	91.4	119.9	159.1	174.6	217.4	237.9
		电功率(kW)Power	25.8	34.0	42.74	57.0	62.1	73.5	81.0
	蒸发温度 Evaporating Temperature -5℃	制冷量(kW)Cooling capacity	55.2	75.2	98.7	131.1	143.9	179.2	196.0
		电功率(kW)Power	24.8	32.6	40.9	54.6	59.5	70.4	77.6
	蒸发温度 Evaporating Temperature -10℃	制冷量(kW)Cooling capacity	45.2	61.6	80.8	107.2	117.7	146.5	160.4
		电功率(kW)Power	23.7	31.2	39.2	52.3	54.6	67.5	74.3
接口 Coupling	吸气管接口 Suction coupling		54	54	66	76	76	76	108
	出液管接口 Tube coupling		28	28	35	35	35	35	42
	排气接口 Discharge coupling		42	42	42	54	54	54	66
	进液接口 Suction coupling		35	35	35	35	35	35	54
外形尺寸 Overall dimensions	长 (L) mm Length		1700	1700	2150	2300	2300	2600	2600
	宽 (B) mm Width		670	670	680	770	770	850	850
	高 (H) mm Height		1100	1100	1100	1250	1250	1300	1300

Remarks: Ambient temperature is 32℃

机组型号 Model of units			LUD30HBFZD LUD40HBFZD LUD50HBFZD LUD60HBFZD LUD70HBFZD LUD80HBFZD LUD90HBFZD						
适用蒸发温度(°C) Applicable Temperature(°C)			+10~30℃						
制冷剂 Refrigerant			R22						
电源 Power supply			380V50Hz						
冷却容量/功率 Cooling capacity/Power	蒸发温度 Evaporating Temperature -20℃	制冷量(kW)Cooling capacity	34.3	46.8	61.4	81.4	89.4	111.3	121.7
		电功率(kW)Power	24.8	32.6	40.9	54.6	59.5	70.5	77.6
	蒸发温度 Evaporating Temperature -25℃	制冷量(kW)Cooling capacity	28.0	38.1	50.0	66.4	72.8	90.7	99.2
		电功率(kW)Power	24.0	31.6	39.6	52.9	57.6	68.2	75.1
	蒸发温度 Evaporating Temperature -30℃	制冷量(kW)Cooling capacity	22.5	30.8	40.3	53.6	58.7	73.1	80.0
		电功率(kW)Power	22.1	29.5	38.2	50.2	55.6	65.8	72.5
接口 Coupling	吸气管接口 Suction coupling		54	54	66	76	76	76	108
	出液管接口 Tube coupling		28	28	35	35	35	35	42
	排气接口 Discharge coupling		42	42	42	54	54	54	66
	进液接口 Suction coupling		35	35	35	35	35	35	54
外形尺寸 Overall dimensions	长 (L) mm Length		1700	1700	2150	2300	2300	2600	2600
	宽 (B) mm Width		670	670	680	770	770	850	850
	高 (H) mm Height		1100	1100	1100	1250	1250	1300	1300

Remarks: Ambient temperature is 32℃, operating with economizer.

机组型号 Model of units			LUD100HBFZG LUD110HBFZG LUD125HBFZG LUD130HBFZG LUD140HBFZG LUD150HBFZG					
适用蒸发温度(°C) Applicable Temperature(°C)			+10~15℃					
制冷剂 Refrigerant			R22					
电源 Power supply			380V50Hz					
冷却容量/功率 Cooling capacity/Power	蒸发温度 Evaporating Temperature 0℃	制冷量(kW)Cooling capacity	257.5	283.5	337.3	356.2	390.1	422.4
		电功率(kW)Power	88.3	98.2	114.0	120.4	130.5	140.4
	蒸发温度 Evaporating Temperature -5℃	制冷量(kW)Cooling capacity	212.2	233.6	278.0	293.5	321.4	348.0
		电功率(kW)Power	84.6	94.1	109.3	115.4	125.0	134.5
	蒸发温度 Evaporating Temperature -10℃	制冷量(kW)Cooling capacity	173.5	191.1	227.3	240.1	262.9	284.7
		电功率(kW)Power	81.0	90.1	104.7	110.5	119.7	128.9
接口 Coupling	吸气管接口 Suction coupling		108	108	108	108	108	108
	出液管接口 Tube coupling		42	42	42	42	42	42
	排气接口 Discharge coupling		66	66	66	76	76	76
	进液接口 Suction coupling		54	54	54	54	54	54
外形尺寸 Overall dimensions	长 (L) mm Length		2600	2850	2850	3150	3150	3200
	宽 (B) mm Width		850	850	850	850	850	870
	高 (H) mm Height		1300	1300	1300	1350	1350	1450

Remarks: Ambient temperature is 32℃

机组型号 Model of units			LUD100HBFZD LUD110HBFZD LUD125HBFZD LUD130HBFZD LUD140HBFZD LUD150HBFZD					
适用蒸发温度(°C) Applicable Temperature(°C)			+10~30℃					
制冷剂 Refrigerant			R22					
电源 Power supply			380V50Hz					
冷却容量/功率 Cooling capacity/Power	蒸发温度 Evaporating Temperature -20℃	制冷量(kW)Cooling capacity	131.8	145.1	172.6	182.3	199.6	216.2
		电功率(kW)Power	84.7	94.1	109.3	115.4	125.1	134.6
	蒸发温度 Evaporating Temperature -25℃	制冷量(kW)Cooling capacity	107.4	118.2	109.3	148.6	162.7	176.1
		电功率(kW)Power	81.9	91.1	105.8	111.7	121.1	130.3
	蒸发温度 Evaporating Temperature -30℃	制冷量(kW)Cooling capacity	86.6	95.4	113.5	119.9	131.2	142.0
		电功率(kW)Power	79.1	87.9	102.1	107.8	116.8	125.7
接口 Coupling	吸气管接口 Suction coupling		108	108	108	108	108	108
	出液管接口 Tube coupling		42	42	42	42	42	42
	排气接口 Discharge coupling		66	66	66	76	76	76
	进液接口 Suction coupling		54	54	54	54	54	54
外形尺寸 Overall dimensions	长 (L) mm Length		2600	2850	2850	3150	3150	3200
	宽 (B) mm Width		850	850	850	850	850	870
	高 (H) mm Height		1300	1300	1300	1350	1350	1450

Remarks: Ambient temperature is 32℃, operating with economizer.

机组型号 Model of units		LUB60HBZG2	LUB80HBZG2	LUB100HBZG2	LUB120HBZG2	LUB40HBZG2	
适用蒸发温度(°C) Applicable Temperature(°C)		+10~15°C					
制冷剂 Refrigerant		R22					
电源 Power supply		380V50Hz					
冷凝器 Condenser	形式 Form	高效壳管式 High efficient shell and tube Condenser					
	额定水流量(m³/h) Rated Water Flow	36	48	63	70	93	
	接管规格 Connection Size	2-1/2"	4"	4"	5"	6"	
冷却容量/功率 Cooling capacity/Power	蒸发温度 Evaporating Temperature 0°C	制冷量(kW)Cooling capacity	147.6	201.2	264.0	350.4	384.6
		电功率(kW)Power	45.8	60.4	75.6	101.0	110.0
	蒸发温度 Evaporating Temperature -5°C	制冷量(kW)Cooling capacity	122.0	166.6	218.4	290	318.2
		电功率(kW)Power	43.8	59.4	72.4	96.8	105.4
	蒸发温度 Evaporating Temperature -10°C	制冷量(kW)Cooling capacity	100.2	136.8	179.4	238.2	216.4
		电功率(kW)Power	42.0	55.4	69.4	92.6	100.8
接口 Coupling	吸气管接口 Suction coupling	66	76	108	108	108	
	出液管接口 Tube coupling	35	35	42	42	54	
外形尺寸 Overall dimensions	长(L) mm Length	2300	2300	2650	3090	3200	
	宽(B) mm Width	1550	1550	1750	1850	1850	
	高(H) mm Height	1470	1470	1470	1860	1860	

Remarks:Condensing temperature is 40°C

机组型号 Model of units		LUB90HBZG3	LUB120HBZG3	LUB150HBZG3	
适用蒸发温度(°C) Applicable Temperature(°C)		+10~15°C			
制冷剂 Refrigerant		R22			
电源 Power supply		380V50Hz			
冷凝器 Condenser	形式 Form	高效壳管式 High efficient shell and tube Condenser			
	额定水流量(m³/h) Rated Water Flow	55	75	95	
	接管规格 Connection Size	4"	5"	6"	
冷却容量/功率 Cooling capacity/Power	蒸发温度 Evaporating Temperature 0°C	制冷量(kW)Cooling capacity	221.4	301.8	396.0
		电功率(kW)Power	68.7	90.6	113.4
	蒸发温度 Evaporating Temperature -5°C	制冷量(kW)Cooling capacity	183.0	249.9	108.6
		电功率(kW)Power	65.7	86.7	327.6
	蒸发温度 Evaporating Temperature -10°C	制冷量(kW)Cooling capacity	150.3	205.2	269.1
		电功率(kW)Power	63	83.1	104.1
接口 Coupling	吸气管接口 Suction coupling	2×66	2×66	2×76	
	出液管接口 Tube coupling	42	42	54	
外形尺寸 Overall dimensions	长(L) mm Length	2800	3000	3200	
	宽(B) mm Width	1750	1750	1750	
	高(H) mm Height	1470	1780	1790	

Remarks:Condensing temperature is 40°C

机组型号 Model of units		LUB160HBZG2	LUB180HBZG2	LUB200HBZG2	LUB220HBZG2	LUB250HBZG2	
适用蒸发温度(°C) Applicable Temperature(°C)		+10~15°C					
制冷剂 Refrigerant		R22					
电源 Power supply		380V50Hz					
冷凝器 Condenser	形式 Form	高效壳管式 High efficient shell and tube Condenser					
	额定水流量(m³/h) Rated Water Flow	113	125	136	150	177	
	接管规格 Connection Size	6"	6"	6"	6"	6"	
冷却容量/功率 Cooling capacity/Power	蒸发温度 Evaporating Temperature 0°C	制冷量(kW)Cooling capacity	478.8	524.0	567.2	624.4	743.0
		电功率(kW)Power	130.2	143.4	156.4	174.0	202.0
	蒸发温度 Evaporating Temperature -5°C	制冷量(kW)Cooling capacity	396.2	433.4	516.6	516.6	614.8
		电功率(kW)Power	124.8	137.4	149.8	166.6	193.6
	蒸发温度 Evaporating Temperature -10°C	制冷量(kW)Cooling capacity	324.6	356.0	384.5	424.2	505.0
		电功率(kW)Power	119.4	131.6	143.6	159.6	185.4
接口 Coupling	吸气管接口 Suction coupling	108	108	133	133	133	
	出液管接口 Tube coupling	54	54	54	54	54	
外形尺寸 Overall dimensions	长(L) mm Length	3370	3370	3470	3700	3700	
	宽(B) mm Width	2050	2050	2100	2150	2150	
	高(H) mm Height	1860	1860	2100	2130	2130	

Remarks:Condensing temperature is 40°C

机组型号 Model of units		LUB180HBZG3	LUB210HBZG3	LUB240HBZG3	
适用蒸发温度(°C) Applicable Temperature(°C)		+10~15°C			
制冷剂 Refrigerant		R22			
电源 Power supply		380V50Hz			
冷凝器 Condenser	形式 Form	高效壳管式 High efficient shell and tube Condenser			
	额定水流量(m³/h) Rated Water Flow	130	140	170	
	接管规格 Connection Size	6"	6"	6"	
冷却容量/功率 Cooling capacity/Power	蒸发温度 Evaporating Temperature 0°C	制冷量(kW)Cooling capacity	525.6	576.9	718.2
		电功率(kW)Power	151.5	165.0	195.3
	蒸发温度 Evaporating Temperature -5°C	制冷量(kW)Cooling capacity	435.0	477.3	594.3
		电功率(kW)Power	145.2	158.1	187.2
	蒸发温度 Evaporating Temperature -10°C	制冷量(kW)Cooling capacity	357.3	392.1	486.9
		电功率(kW)Power	138.9	151.2	179.1
接口 Coupling	吸气管接口 Suction coupling	2×108	2×108	2×108	
	出液管接口 Tube coupling	54	54	54	
外形尺寸 Overall dimensions	长(L) mm Length	3700	3930	3930	
	宽(B) mm Width	2100	2100	2100	
	高(H) mm Height	1860	2100	2100	

Remarks:Condensing temperature is 40°C

机组型号 Model of units		LUB60HBZD2	LUB80HBZD2	LUB100HBZD2	LUB120HBZD2	LUB140HBZD2	
适用蒸发温度(℃) Applicable Temperature(℃)		+10~-30℃					
制冷剂 Refrigerant		R22					
电源 Power supply		380V50Hz					
冷凝器 Condenser	形式 Form	高效壳管式 High efficient shell and tube Condenser					
	额定水流量(m³/h) Rated Water Flow	22	30	38	50	55	
接管规格 Connection Size		2-1/2"	4"	4"	5"	6"	
冷却容量/功率 Cooling capacity/Power	蒸发温度 Evaporating Temperature -20℃	制冷量(kW)Cooling capacity	73.6	100.4	131.8	175.0	192.0
		电功率(kW)Power	43.0	56.6	71.0	94.6	103.2
	蒸发温度 Evaporating Temperature -25℃	制冷量(kW)Cooling capacity	60.2	82.2	107.6	143.0	157.0
		电功率(kW)Power	41.6	54.8	68.8	91.8	100.0
	蒸发温度 Evaporating Temperature -30℃	制冷量(kW)Cooling capacity	48.6	66.4	87.0	115.4	126.8
		电功率(kW)Power	40.2	52.8	66.4	88.6	96.4
接口 Coupling	吸气管接口 Suction coupling	66	76	108	108	108	
	出液管接口 Tube coupling	35	35	42	42	54	
外形尺寸 Overall dimensions	长(L) mm Length	2300	2300	2650	3090	3290	
	宽(B) mm Width	1550	1550	1750	1850	1840	
	高(H) mm Height	1470	1470	1470	1860	1860	

Remarks:Condensing temperature is 40℃,operating with economizer.

机组型号 Model of units		LUB90HBZD3	LUB120HBZD3	LUB150HBZD3	LUB180HBZD3	LUB210HBZD3	
适用蒸发温度(℃) Applicable Temperature(℃)		+10~-30℃					
制冷剂 Refrigerant		R22					
电源 Power supply		380V50Hz					
冷凝器 Condenser	形式 Form	高效壳管式 High efficient shell and tube Condenser					
	额定水流量(m³/h) Rated Water Flow	33	45	57	76	83	
接管规格 Connection Size		4"	5"	6"	6"	6"	
冷却容量/功率 Cooling capacity/Power	蒸发温度 Evaporating Temperature -20℃	制冷量(kW)Cooling capacity	110.4	150.6	197.7	262.5	288.0
		电功率(kW)Power	64.5	84.9	106.5	141.9	154.8
	蒸发温度 Evaporating Temperature -25℃	制冷量(kW)Cooling capacity	90.3	124.2	161.4	214.5	235.5
		电功率(kW)Power	62.4	82.2	103.2	137.7	150.0
	蒸发温度 Evaporating Temperature -30℃	制冷量(kW)Cooling capacity	72.9	99.6	130.5	173.1	190.2
		电功率(kW)Power	60.3	79.2	99.6	132.9	144.0
接口 Coupling	吸气管接口 Suction coupling	2×66	2×66	2×76	2×108	2×108	
	出液管接口 Tube coupling	42	42	54	54	54	
外形尺寸 Overall dimensions	长(L) mm Length	2800	3000	3200	3700	3930	
	宽(B) mm Width	1750	1750	1750	2100	2100	
	高(H) mm Height	1470	1780	1790	1860	2100	

Remarks:Condensing temperature is 40℃,operating with economizer.

机组型号 Model of units		LUB160HBZD2	LUB180HBZD2	LUB200HBZD2	LUB220HBZD2	LUB250HBZD2	
适用蒸发温度(℃) Applicable Temperature(℃)		+10~-30℃					
制冷剂 Refrigerant		R22					
电源 Power supply		380V50Hz					
冷凝器 Condenser	形式 Form	高效壳管式 High efficient shell and tube Condenser					
	额定水流量(m³/h) Rated Water Flow	68	75	80	90	105	
接管规格 Connection Size		6"	6"	6"	6"	6"	
冷却容量/功率 Cooling capacity/Power	蒸发温度 Evaporating Temperature -20℃	制冷量(kW)Cooling capacity	239.0	261.4	283.0	311.6	391.0
		电功率(kW)Power	122.2	134.4	146.8	163.2	189.4
	蒸发温度 Evaporating Temperature -25℃	制冷量(kW)Cooling capacity	195.4	213.6	231.4	254.6	303.2
		电功率(kW)Power	118.6	130.4	142.4	158.2	183.8
	蒸发温度 Evaporating Temperature -30℃	制冷量(kW)Cooling capacity	158.0	172.8	187.0	205.8	245.0
		电功率(kW)Power	114.2	125.8	137.2	152.6	177.2
接口 Coupling	吸气管接口 Suction coupling	108	108	133	133	133	
	出液管接口 Tube coupling	54	54	54	54	54	
外形尺寸 Overall dimensions	长(L) mm Length	3370	3370	3470	3700	3700	
	宽(B) mm Width	2010	2010	2100	2140	2140	
	高(H) mm Height	1860	1860	2100	2130	2130	

Remarks:Condensing temperature is 40℃,operating with economizer.

机组型号 Model of units		LUB240HBZD3	LUB270HBZD3	LUB300HBZD3	
适用蒸发温度(℃) Applicable Temperature(℃)		+10~-30℃			
制冷剂 Refrigerant		R22			
电源 Power supply		380V50Hz			
冷凝器 Condenser	形式 Form	高效壳管式 High efficient shell and tube Condenser			
	额定水流量(m³/h) Rated Water Flow	102	112	121	
接管规格 Connection Size		6"	6"	6"	
冷却容量/功率 Cooling capacity/Power	蒸发温度 Evaporating Temperature -20℃	制冷量(kW)Cooling capacity	358.5	392.1	424.5
		电功率(kW)Power	184.8	201.6	220.2
	蒸发温度 Evaporating Temperature -25℃	制冷量(kW)Cooling capacity	293.1	320.4	347.1
		电功率(kW)Power	177.9	195.6	213.6
	蒸发温度 Evaporating Temperature -30℃	制冷量(kW)Cooling capacity	237.0	259.2	280.5
		电功率(kW)Power	171.3	188.7	205.8
接口 Coupling	吸气管接口 Suction coupling	2×108	2×108	2×108	
	出液管接口 Tube coupling	54	54	54	
外形尺寸 Overall dimensions	长(L) mm Length	3930	3930	3930	
	宽(B) mm Width	2100	2200	2200	
	高(H) mm Height	2100	2100	2100	

Remarks:Condensing temperature is 40℃,operating with economizer.

机组型号 Model of units			LUB60HBFZG2	LUB80HBFZG2	LUB100HBFZG2	LUB120HBFZG2	LUB140HBFZG2
适用蒸发温度(°C) Applicable Temperature(°C)			+10~15°C				
制冷剂 Refrigerant			R22				
电源 Power supply			380V50Hz				
冷却容量/功率 Cooling capacity/Power	蒸发温度 Evaporating Temperature 0°C	制冷量(kW)Cooling capacity	134.2	182.8	239.8	318.2	349.2
		电功率(kW)Power	51.6	68.0	85.4	114.0	124.2
	蒸发温度 Evaporating Temperature -5°C	制冷量(kW)Cooling capacity	110.4	150.4	197.4	262.2	287.8
		电功率(kW)Power	49.6	65.2	81.8	109.2	119.0
	蒸发温度 Evaporating Temperature -10°C	制冷量(kW)Cooling capacity	90.4	123.2	161.6	214.4	235.4
		电功率(kW)Power	47.4	62.4	78.4	104.6	114.0
接口 Coupling	吸气管接口 Suction coupling		66	76	108	108	108
	出液管接口 Tube coupling		42	42	76	76	76
	排气接口 Discharge coupling		35	35	42	42	42
	进液接口 Suction coupling		35	35	32	32	32
外形尺寸 Overall dimensions	长 (L) mm Length		2300	2300	2650	3090	3290
	宽 (B) mm Width		1500	1500	1650	1850	1850
	高 (H) mm Height		1460	1460	1470	1860	1860

Remarks: Ambient temperature is 32°C

机组型号 Model of units			LUB160HBFZG2	LUB180HBFZG2	LUB200HBFZG2	LUB220HBFZG2	LUB240HBFZG2
适用蒸发温度(°C) Applicable Temperature(°C)			+10~15°C				
制冷剂 Refrigerant			R22				
电源 Power supply			380V50Hz				
冷却容量/功率 Cooling capacity/Power	蒸发温度 Evaporating Temperature 0°C	制冷量(kW)Cooling capacity	434.8	475.8	515.0	567.0	674.6
		电功率(kW)Power	147.0	162.0	176.6	196.4	228.0
	蒸发温度 Evaporating Temperature -5°C	制冷量(kW)Cooling capacity	358.4	392.0	424.4	467.2	556.0
		电功率(kW)Power	140.8	155.2	169.2	188.2	218.6
	蒸发温度 Evaporating Temperature -10°C	制冷量(kW)Cooling capacity	293.0	320.8	347.0	382.2	454.6
		电功率(kW)Power	135.0	148.6	162.0	180.2	209.4
接口 Coupling	吸气管接口 Suction coupling		108	108	133	133	133
	出液管接口 Tube coupling		54	54	54	54	54
	排气接口 Discharge coupling		76	76	108	108	108
	进液接口 Suction coupling		54	54	66	66	66
外形尺寸 Overall dimensions	长 (L) mm Length		2300	2300	2650	3090	3290
	宽 (B) mm Width		1500	1500	1650	1850	1850
	高 (H) mm Height		1460	1460	1470	1860	1860

Remarks: Ambient temperature is 32°C

机组型号 Model of units			LUB90HBFZG3	LUB120HBFZG3	LUB150HBFZG3	LUB180HBFZG3	LUB210HBFZG3
适用蒸发温度(°C) Applicable Temperature(°C)			+10~15°C				
制冷剂 Refrigerant			R22				
电源 Power supply			380V50Hz				
冷却容量/功率 Cooling capacity/Power	蒸发温度 Evaporating Temperature 0°C	制冷量(kW)Cooling capacity	201.3	274.2	359.7	477.3	523.8
		电功率(kW)Power	77.4	102.0	128.1	171.0	186.3
	蒸发温度 Evaporating Temperature -5°C	制冷量(kW)Cooling capacity	165.6	225.6	296.1	393.3	431.7
		电功率(kW)Power	74.4	97.8	122.7	163.8	178.5
	蒸发温度 Evaporating Temperature -10°C	制冷量(kW)Cooling capacity	135.6	184.8	242.4	321.6	353.1
		电功率(kW)Power	71.1	93.6	117.6	156.9	163.8
接口 Coupling	吸气管接口 Suction coupling		2×66	2×66	2×76	2×108	2×108
	出液管接口 Tube coupling		42	76	76	76	108
	排气接口 Discharge coupling		42	42	54	54	54
	进液接口 Suction coupling		42	42	54	66	66
外形尺寸 Overall dimensions	长 (L) mm Length		2800	3000	3200	3700	3930
	宽 (B) mm Width		1500	1600	1700	1900	2050
	高 (H) mm Height		1470	1780	1790	1860	2100

Remarks: Ambient temperature is 32°C

机组型号 Model of units			LUB240HBFZG3	LUB270HBFZG3	LUB300HBFZG3
适用蒸发温度(°C) Applicable Temperature(°C)			+10~15°C		
制冷剂 Refrigerant			R22		
电源 Power supply			380V50Hz		
冷却容量/功率 Cooling capacity/Power	蒸发温度 Evaporating Temperature -20°C	制冷量(kW)Cooling capacity	652.2	713.7	772.5
		电功率(kW)Power	220.5	243.0	264.9
	蒸发温度 Evaporating Temperature -25°C	制冷量(kW)Cooling capacity	537.6	658.8	636.6
		电功率(kW)Power	211.2	232.8	253.8
	蒸发温度 Evaporating Temperature -30°C	制冷量(kW)Cooling capacity	439.5	481.2	520.5
		电功率(kW)Power	202.5	222.9	243.0
接口 Coupling	吸气管接口 Suction coupling		2×108	2×108	2×108
	出液管接口 Tube coupling		54	54	54
	排气接口 Discharge coupling		108	108	108
	进液接口 Suction coupling		66	66	66
外形尺寸 Overall dimensions	长 (L) mm Length		3930	3930	3930
	宽 (B) mm Width		2040	2140	2140
	高 (H) mm Height		2100	2100	2100

Remarks: Ambient temperature is 32°C

机组型号 Model of units			LUB60HBFZD2	LUB80HBFZD2	LUB100HBFZD2	LUB120HBFZD2	LUB140HBFZD2
适用蒸发温度(°C) Applicable Temperature(°C)			+10~30°C				
制冷剂 Refrigerant			R22				
电源 Power supply			380V50Hz				
冷却容量/功率 Cooling capacity/Power	蒸发温度 Evaporating Temperature 20°C	制冷量(kW)Cooling capacity	68.6	93.6	122.8	162.8	178.8
		电功率(kW)Power	49.6	65.2	81.8	109.2	119.0
	蒸发温度 Evaporating Temperature -25°C	制冷量(kW)Cooling capacity	61.8	76.2	100.0	132.8	155.6
		电功率(kW)Power	56	63.2	79.2	105.8	115.2
	蒸发温度 Evaporating Temperature -30°C	制冷量(kW)Cooling capacity	45	61.6	80.6	117.2	117.4
		电功率(kW)Power	44.2	59	76.4	100.4	111.2
接口 Coupling	吸气管接口 Suction coupling		66	76	108	108	108
	出液管接口 Tube coupling		35	35	42	42	42
	排气接口 Discharge coupling		42	42	76	76	76
	进液接口 Suction coupling		35	35	42	42	42
外形尺寸 Overall dimensions	长 (L) mm Length		2300	2300	2650	3090	3290
	宽 (B) mm Width		1500	1500	1650	1850	1850
	高 (H) mm Height		1460	1460	1470	1860	1860

Remarks: Ambient temperature is 32°C, operating with economizer.

机组型号 Model of units			LUB90HBFZD3	LUB120HBFZD3	LUB150HBFZD3	LUB180HBFZD3	LUB210HBFZD3
适用蒸发温度(°C) Applicable Temperature(°C)			+10~30°C				
制冷剂 Refrigerant			R22				
电源 Power supply			380V50Hz				
冷却容量/功率 Cooling capacity/Power	蒸发温度 Evaporating Temperature 20°C	制冷量(kW)Cooling capacity	117.3	160.0	210.1	278.8	306.1
		电功率(kW)Power	74.4	97.8	122.7	163.8	178.5
	蒸发温度 Evaporating Temperature -25°C	制冷量(kW)Cooling capacity	92.8	126.3	165.8	220.2	241.7
		电功率(kW)Power	72	94.8	118.8	158.7	172.8
	蒸发温度 Evaporating Temperature -30°C	制冷量(kW)Cooling capacity	77.1	101.0	132.2	175.8	192.8
		电功率(kW)Power	66.3	88.5	114.6	150.6	166.8
接口 Coupling	吸气管接口 Suction coupling		2×66	2×66	2×76	2×108	2×108
	出液管接口 Tube coupling		42	42	54	54	54
	排气接口 Discharge coupling		54	76	76	76	108
	进液接口 Suction coupling		42	42	54	54	66
外形尺寸 Overall dimensions	长 (L) mm Length		2800	3000	3200	3700	3930
	宽 (B) mm Width		1570	1630	1690	1910	2040
	高 (H) mm Height		1460	1780	1790	1860	2100

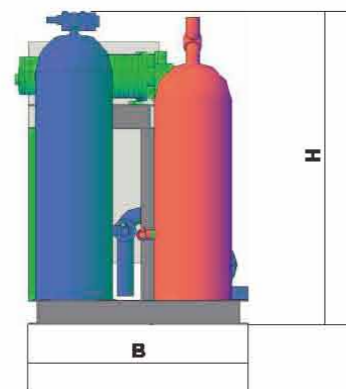
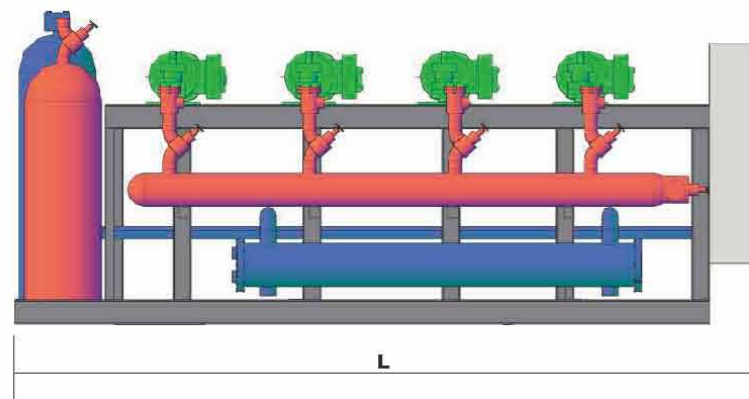
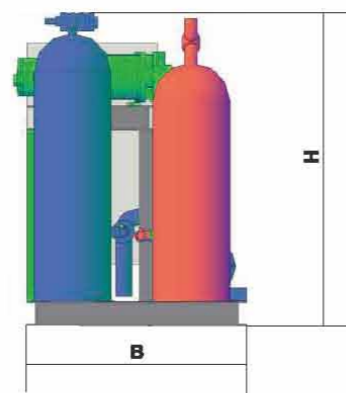
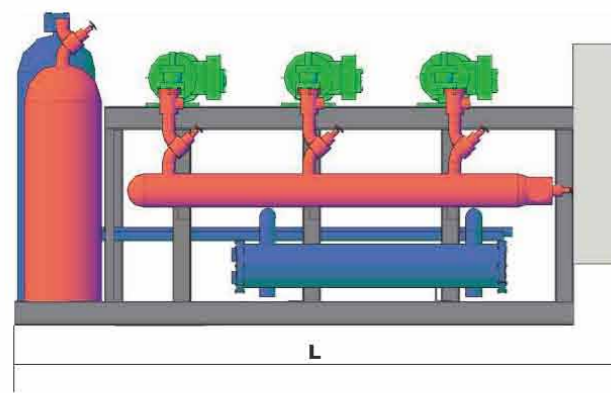
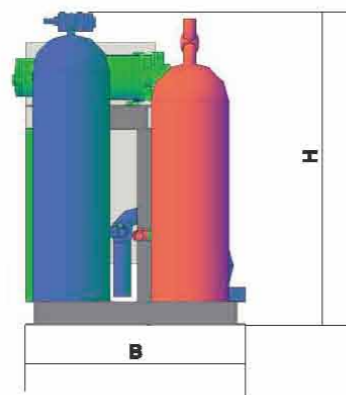
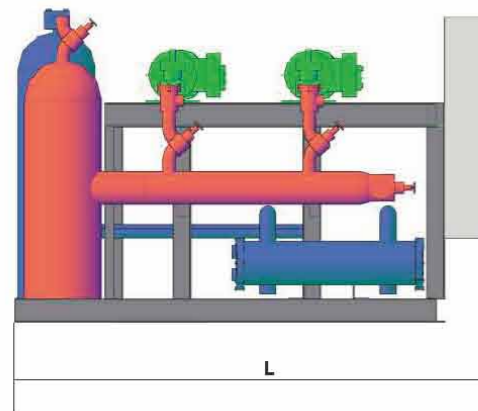
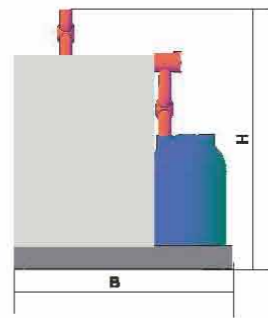
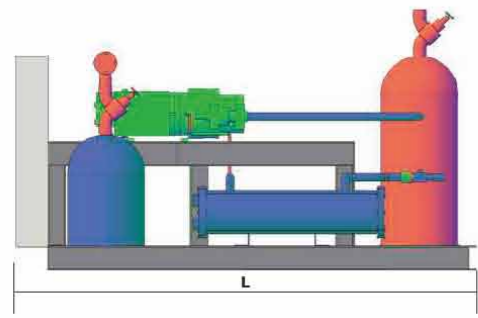
Remarks: Ambient temperature is 32°C, operating with economizer.

机组型号 Model of units			LUB160HBFZD2	LUB180HBFZD2	LUB200HBFZD2	LUB220HBFZD2	LUB240HBFZD2
适用蒸发温度(°C) Applicable Temperature(°C)			+10~30°C				
制冷剂 Refrigerant			R22				
电源 Power supply			380V50Hz				
冷却容量/功率 Cooling capacity/Power	蒸发温度 Evaporating Temperature 20°C	制冷量(kW)Cooling capacity	222.6	243.4	263.6	290.2	345.2
		电功率(kW)Power	141.0	155.2	169.4	188.2	218.6
	蒸发温度 Evaporating Temperature -25°C	制冷量(kW)Cooling capacity	181.4	198.4	214.8	236.4	281.4
		电功率(kW)Power	136.4	150.2	163.8	182.2	211.6
	蒸发温度 Evaporating Temperature -30°C	制冷量(kW)Cooling capacity	146.2	160.0	173.2	190.8	227.0
		电功率(kW)Power	131.6	145.0	158.2	175.8	204.2
接口 Coupling	吸气管接口 Suction coupling		108	108	133	133	133
	出液管接口 Tube coupling		54	54	54	54	54
	排气接口 Discharge coupling		76	76	108	108	108
	进液接口 Suction coupling		54	54	66	66	66
外形尺寸 Overall dimensions	长 (L) mm Length		3370	3370	3470	3700	3700
	宽 (B) mm Width		2010	2010	2100	2140	2140
	高 (H) mm Height		1860	1860	2100	2130	2130

Remarks: Ambient temperature is 32°C, operating with economizer.

机组型号 Model of units			LUB240HBFZD3	LUB270HBFZD3	LUB300HBFZD3
适用蒸发温度(°C) Applicable Temperature(°C)			+10~30°C		
制冷剂 Refrigerant			R22		
电源 Power supply			380V50Hz		
冷却容量/功率 Cooling capacity/Power	蒸发温度 Evaporating Temperature 20°C	制冷量(kW)Cooling capacity	380.9	416.7	451.3
		电功率(kW)Power	211.5	232.8	254.1
	蒸发温度 Evaporating Temperature -25°C	制冷量(kW)Cooling capacity	300.9	329.1	256.4
		电功率(kW)Power	204.6	225.3	245.7
	蒸发温度 Evaporating Temperature -30°C	制冷量(kW)Cooling capacity	239.9	262.5	284.3
		电功率(kW)Power	197.4	217.5	237.3
接口 Coupling	吸气管接口 Suction coupling		2×108	2×108	2×108
	出液管接口 Tube coupling		54	54	54
	排气接口 Discharge coupling		108	108	108
	进液接口 Suction coupling		66	66	66
外形尺寸 Overall dimensions	长 (L) mm Length		3930	3930	3930
	宽 (B) mm Width		2040	2140	2140
	高 (H) mm Height		2100	2100	2100

Remarks: Ambient temperature is 32°C, operating with economizer.



Notes