



Oil Separators For Screw Compressors
螺杆压缩机用油分离器

Helical Type Oil Separators & Flange
带法兰高效离心式油分离器



Helical Oil Separators & Reservoirs
储油式高效油分离器



Automobile Ac & Transportation Refrigeration Oil Separator
车用油分离器



Conventional Type Oil Separators
传统油分



Oil Level Regulators
油位平衡器



Oil Strainers
油过滤器



Oil Strainers
油过滤器



Oil Reservoirs
油储液器

General Description:

- ◆ General intended purpose of Oil Separators is to separate oil discharge gases and ensure regular and correct recycling of oil to compressor's case.
- ◆ Oil separators are used in order to form high oil temperature and prevent migration of cooling liquid and gas, and separate cooling liquid in oil and taking out gas.
- ◆ Buoy system passes through very accurate production process, and then its totally faultless operation is ensured through various tests.
- ◆ Oil separators must be selected according to properties of compressor in use.
- ◆ Oil separators must be used vertically between compressor and condenser.
- ◆ Standard type oil separators are fairly easy to used because there is no replaceable parts.
- ◆ These are more low-cost products compared to other types of oil separators.
- ◆ Oil separators are mechanical products, and therefore they undergo fairly accurate production process.
- ◆ Materials used in the product; buoy ball and ratchet, oil filter and separator, and valve pin are fully made of stainless material.
- ◆ Oil return tube and buoy valve are made of brass material.

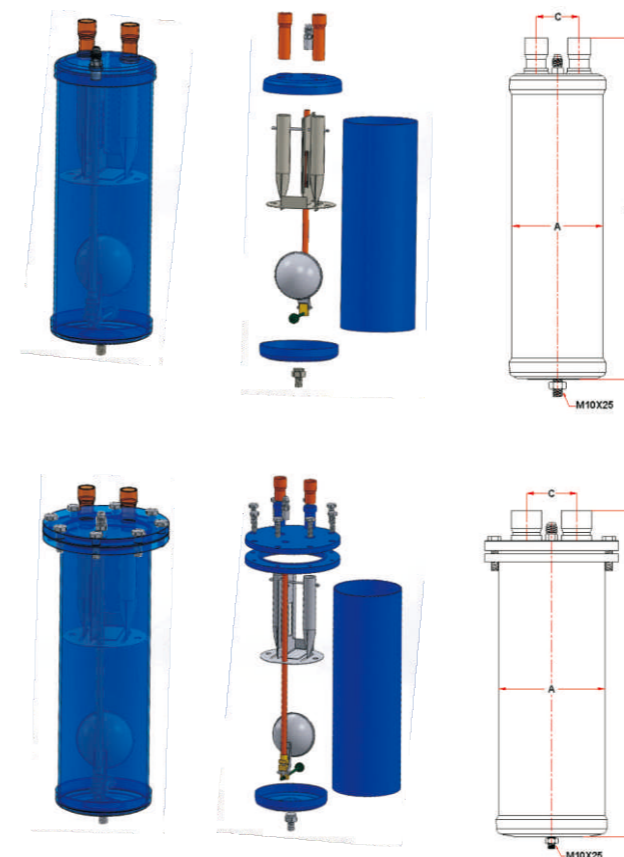
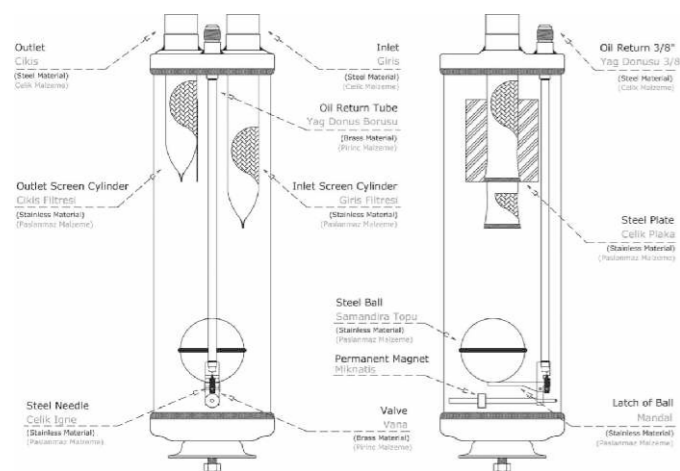
Connection Parts:

- ◆ We determined Input and Output connections according to volume of products.
- ◆ ODS connection is used in standard products.
- ◆ Different connection may be used upon request.

Note:

- ◆ Our firm manufactures products of any required diameter, length, and properties according to relevant standards.
- ◆ Different colors may be used upon request in number of quantities.
- ◆ Oil Separators are manufactured in accordance with CE 97/23/EC directive.
- ◆ Please, contact us for further details.

- ◆ Application and internal design are clearly shown in table on the side.
- ◆ 使用原理和内部构造请看下图
该图纸，顶部改成法兰，其余按下图不变



Technical Data/技术参数

MODEL 型号	CONNECTION SIZE 接口		Oil Return 回油口	CONNECTION(mm) 接口 (毫米)		
	英寸 (inch)	毫米 (mm)		A	B	C
BLR/A-W 55833	3/8 ODF	10	1/4"	102	279	48
BLR/A-W 55824	1/2 ODF	12	1/4"	102	279	48
BLR/A-W 55855	5/8 ODF	16	1/4"	102	338	48
BLR/A-W 55866	3/4 ODF	19	1/4"	102	383	48
BLR/A-W 55877	7/8 ODF	22	1/4"	102	384	48
BLR/A-W 55888	1 ODF	25	1/4"	102	404	48
BLR/A-W 55889	1 1/8 ODF	28	1/4"	102	414	48
BLR/A-W 559011	1 3/8 ODF	35	1/4"	102	524	48
BLR/A-W 569011	1 3/8 ODF	35	3/8"	159	399	75
BLR/A-W 569213	1 5/8 ODF	42	3/8"	159	480	75
BLR/A-W 569417	2 1/8 ODF	54	3/8"	159	485	75

MODEL 型号	CONNECTION SIZE 接口		Oil Return 回油口	CONNECTION(mm) 接口 (毫米)		
	英寸 (inch)	毫米 (mm)		A	B	C
BLR/A-F 58824	1/2 ODF	12	1/4"	102	285	48
BLR/A-F 58855	5/8 ODF	16	1/4"	102	370	48
BLR/A-F 58877	7/8 ODF	22	1/4"	102	455	48
BLR/A-F 58889	1 1/8 ODF	28	1/4"	102	490	48
BLR/A-F 589011	1 3/8 ODF	35	1/4"	102	520	48
BLR/A-F 579011	1 3/8 ODF	35	3/8"	159	404	75
BLR/A-F 579213	1 5/8 ODF	42	3/8"	159	490	75
BLR/A-F 589213	1 5/8 ODF	42	1/4"	102	525	48
BLR/A-F 579417	2 1/8 ODF	54	3/8"	159	495	75

Technical Data

- Working Pressure [PS] : 33 Bar
- Test Pressure [PT] : 48 Bar
- Allowable Temperature [TS] : Min. - 10°C/ Max.-130°C
- Color [RAL] : 5009
- General Tolerans [mm] : ±5

技术参数

- 工作压力 [PS] : 33 Bar
- 测试压力 [PT] : 48 Bar
- 允许温度 [TS] : Min. - 10°C/ Max.-130°C
- 颜色 [RAL] : 5009
- 常规误差 [mm] : ±5

产品简介

- ◆ 油分的设计目的就是分离油，排气以及确保压缩机内的油能正常的流动。
- ◆ 为了避免高油温，油分可以阻止冷凝水和气的移动，以及分离油内的冷凝水然后排气。
- ◆ 高精度的浮标系统无误的运行是通过不同的测试保障的。
- ◆ 油分的选型是根据合适的压缩机而定的。
- ◆ 油分是被立在压缩机和冷凝器之间的。
- ◆ 标准型号的油分相当容易使用，因为他没有任何代替装置。
- ◆ 我们的油分价格非常有优势。
- ◆ 我们的油分是机械式的产品，所以我们是经过精确的程序的。
- ◆ 生产的原材料：浮球，棘轮，油过滤器，分离器，以及阀片都是不锈钢的材料。
- ◆ 回油管和浮球阀都是黄铜材料。

连接配件

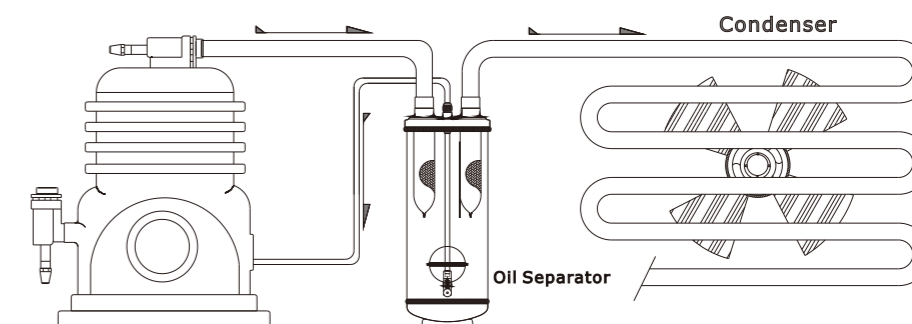
- ◆ 我们是根据油分的容积来规定输入和输出连接的。
- ◆ 一般是ODS连接。
- ◆ 接口可根据要求定做。

注:

- ◆ 我司可根据客户的合理要求定做不同尺寸的油分。
- ◆ 不同颜色的要求是根据数量而定的。
- ◆ 我们的油分是符合 CE 97/23/EC 标准的。
- ◆ 如需更多的参数，请随时与我联系。

Model 型号		R12		R22/R407C		R502		R134a		R-404A/R507				
Flanged 法兰油分	Sealed 全封闭油分	-40F/C		40F(14C)		-40F/C		40F(14C)		-40F/C		40F(14C)		
		TONS	KW	TONS	KW	TONS	KW	TONS	KW	TONS	KW	TONS	KW	
BLR/A-F 58824	5301	BLR/A-W 55824	1	3.54	1.5	5.31	1.5	5.31	2	7.08	1.5	5.31	2	7.08
BLR/A-F 58855	5302	BLR/A-W 55855	3	10.62	4	14.2	4.5	15.9	5.5	19.5	4.75	16.8	5.75	20.36
BLR/A-F 58877	5303	BLR/A-W 55877	4.5	15.093	5.5	19.5	7	24.8	8	28.3	7.5	26.6	8.5	30.09
BLR/A-F 58889	5304	BLR/A-W 55889	6	21.024	7.5	26.6	9	31.9	11	37.2	9.5	33.6	11.5	40.71
BLR/A-F 589011	5305	BLR/A-W 559011	7.5	26.055	10	35.4	11.5	40.7	14	47.8	12	42.5	14.5	51.33
-	-	BLR/A-W 569213	9	31.086	11.5	40.7	14	49.6	18	62	16	56.6	17.5	61.95
BLR/A-F 579011	6303	BLR/A-W 569011	9	31.069	12	42.25	13	45.77	14	49.8	15	52.8	20	70.4
BLR/A-F 579213	6304	BLR/A-W 569213	11	38.94	14	49.6	16	56.6	18	63.7	20	70.8	24	84.96
BLR/A-F 579417	6305	BLR/A-W 569417	17	60.18	22	77.9	25	88.5	30	106	30	106	35	123.9

- ◆ Application and internal design are clearly shown in table on the side.
- ◆ 使用原理和内部构造请看右图



General Description:

- ◆ Helical oil separators are designed for correct separation of oil in discharge gas and ensure recycling of oil into compressor in the most effective way. The purpose is to keep carter's oil level, minimize possible excessive oil circulation, and increase the system's output.
- ◆ Helical type oil separators have more effective oil separation capacity compared to conventional oil separators.
- ◆ Helical type oil separators can be used in various systems and multiple compressors.
- ◆ These oil separators are designed for low-pressure systems, scroll and piston compressors.
- ◆ They must not be used for screw and rotary compressors.
- ◆ Helical oil separators are products with buoy systems, and they undergo very accurate production process.
- ◆ All active parts working in buoy system are fully made of stainless material.
- ◆ Buoy system is protected against pressure and circulation formed within the product.
- ◆ Any contamination can be easily caught by magnet in buoy part at oil output point, and thus it is ensured that valve operates in cleaner media.
- ◆ Buoy flange system may be easily dismantled and installed thanks to special foot connection.
- ◆ Inner surface of oil separator is round by stainless filter, and thus heavy oil particles collide with filters along spiral path, and separated from discharge gas.

Connection Parts:

- ◆ We determined Input and Output connections according to volume of products.
- ◆ ODS connection is used in standard products.
- ◆ Different connection may be used upon request.

Note

- ◆ Our firm manufactures products of any required diameter, length, and properties according to relevant standards.
- ◆ Different colors may be used upon request in number of quantities.
- ◆ Oil Separators are manufactured in accordance with CE 97/23/EC directive.
- ◆ Please, contact us for further details.



Floating System

- ◆ Steel Flange and Bolts
- ◆ Stainless Floating and Mechanism
- ◆ Brass Pipe / Oil Return
- ◆ High Quality Magnet

浮球系统

- ◆ 钢法兰和螺栓
- ◆ 不锈钢的浮球和机构
- ◆ 铜管/回油
- ◆ 高质量的磁铁



产品简介

- ◆ 螺旋式油分将排气中的油分离出来，然后高效的流回压缩机中。目的是保持Carter的油位，减小可能有过多的油循环，增加系统输出。
- ◆ 螺旋式油分比传统式的要有效多了。
- ◆ 螺旋式的油分可以用于各种不同的系统和不同款式的压缩机中。
- ◆ 分离器适用于低压系统，涡旋和活塞压缩机。
- ◆ 螺旋油分带有浮球系统，他们有经过精确的生产过程的。
- ◆ 所有的浮球系统的部件都是不锈钢材料。
- ◆ 在油分里浮球系统通过压力和环流的形式来保护的。
- ◆ 任何在出油口位置的污染物都很容易被磁铁吸住，保证了针阀在很清洁的环境下运转。
- ◆ 浮球法兰系统能够很容易的被消除和安装在罐子，尤其是底脚连接。
- ◆ 油分内部有不锈的过滤器围绕，因此重油粒子通过旋转路径撞击过滤器，然后通过过滤原件把油从排气中分离出来。

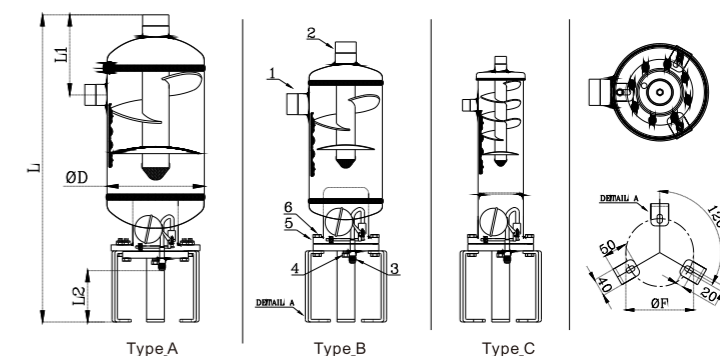
分离器的连接部件

- ◆ 我们根据产品的容积决定输出和输入的接口。
- ◆ 一般是ODS连接。
- ◆ 接口可根据要求定做。

注:

- ◆ 我司可根据客户的合理要求定做不同尺寸的油分。
- ◆ 不同颜色的要求是根据数量而定的。
- ◆ 我们的油分是符合 CE 97/23/EC 标准的。
- ◆ 如需更多的参数，请随时与我联系。

1. Inlet Connection
进口
2. Outlet Connection
出口
3. Oil Return Connection (3/8" SAE)
回油口连接 (3/8 螺纹)
4. Service Unyon (Plug)
堵头
5. Flange Syste
法兰系统
6. Screw (M10)
螺钉



Model 型号	Dimensions(mm) 尺寸 (毫米)							Mounting Details 安装尺寸	Type	Connections 接口尺寸 Inlet & Outlet 进口/出口	CE PED 97/23/EC 33 Bar
	D	L	L1	L2	Flange	F	Screw 螺钉				
BLR/OSH-178	Φ102	580	110	114.5	Φ150*150	Φ105	8 Pcs. x M10	3 x Φ20*12mm Slots	A	7/8 ODS	CAT I
BLR/OSH-1118	Φ102	630	110	114.5	Φ150*150	Φ105	8 Pcs. x M10		A	1 1/8 ODS	CAT I
BLR/OSH-2138	Φ165	554.5	120	114.5	Φ150*150	Φ105	8 Pcs. x M10		B	1 3/8 ODS	CAT I
BLR/OSH-2158	Φ165	612.5	140	114.5	Φ150*150	Φ105	8 Pcs. x M10		B	1 5/8 ODS	CAT I
BLR/OSH-2218	Φ165	617.5	145	114.5	Φ150*150	Φ105	8 Pcs. x M10		B	2 1/8 ODS	CAT I
BLR/OSH-3158	Φ219	691	180	115.5	Φ200*150	Φ152	11 Pcs. x M10		C	1 5/8 ODS	CAT III
BLR/OSH-3218	Φ219	696	185	115.5	Φ200*150	Φ152	11 Pcs. x M10		C	2 1/8 ODS	CAT III
BLR/OSH-4258	Φ273	786	235	115.5	Φ200*150	Φ152	11 Pcs. x M10		C	2 5/8 ODS	CAT III
BLR/OSH-5318	Φ324	871	280	115.5	Φ200*150	Φ152	11 Pcs. x M10		C	3 1/8 ODS	CAT IV

Technical Data

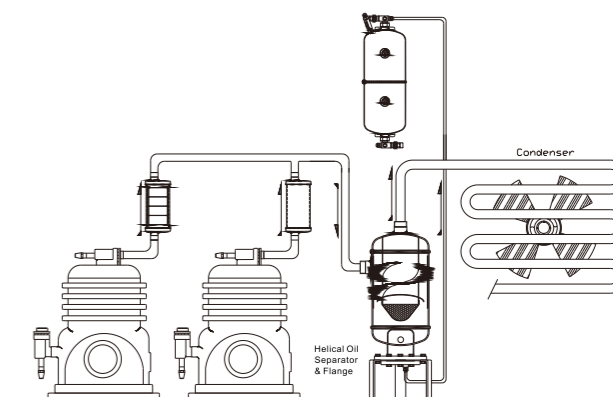
- Working Pressure [PS]: 33 Bar
- Test Pressure [PT]: 48 Bar
- Allowable Temperature [TS]: Min. - 10°C / Max. -130°C
- Color [RAL]: 5009
- General Tolerans [mm]: ±5

技术参数

- 工作压力 [PS]: 33 Bar
- 测试压力 [PT]: 48 Bar
- 允许温度 [TS]: Min. - 10°C / Max. -130°C
- 颜色 [RAL]: 5009
- 常规误差 [mm]: ±5

Model 型号	Capacity In KW Of Refrigeration At Nominal Evaporator Temperature 名义工况下的制冷容量 (KW)						Maximum Discharge Volume (m3/h)最大流量
	R404A / 507		R22		R717		
	- 40°C	5°C	- 40°C	5°C	- 40°C	5°C	
BLR/OSH-178	23.0	30.0	24.6	28.2	N/A	N/A	10.2
BLR/OSH-1118	29.8	38.7	31.7	37.0	N/A	N/A	13.6
BLR/OSH-2138	42.2	52.8	44.8	49.3	59.8	63.3	18.7
BLR/OSH-2158	52.8	66.9	56.3	63.4	77.4	80.9	23.8
BLR/OSH-2218	84.4	109.0	88.0	106.0	120.0	127.0	37.4
BLR/OSH-3158	109.0	144.0	123.0	137.0	N/A	N/A	49.3
BLR/OSH-3218	109.0	144.0	123.0	137.0	N/A	N/A	49.3
BLR/OSH-4258	225.0	292.0	250.0	281.0	N/A	N/A	102.0
BLR/OSH-5318	352.0	461.0	394.0	447.0	N/A	N/A	159.8

- ◆ Form of using within the system and internal design are clearly shown in table on the side.
- ◆ 工作原理以及内部构造请看右图



BLR/OSR Helical Oil Separator With Oil Reservoir BLR/OSR 储油式高效油分离器

General Description/描述:

- ◆ Helical type oil separators with tank can be used in various applications.
- ◆ Multi-compressor units are among widely used applications.
- ◆ Helical type oil separators with tank are designed for high-pressure oil management systems.
- ◆ These products are especially designed for screw and piston type compressors.
- ◆ Not recommended for screw compressors
- ◆ Standard product series are designed for usage with relevant oils and HFC cooling substances.
- ◆ Spiral (helix) system and stainless filter system in the product are more effective in separating oil than standard oil separators.
- ◆ The product provides 99% output in case of selecting model suitable for the system.
- ◆ Gas/oil mixture is moved along spiral path by centrifugal force, and oil particles revolve on surface of perimeter and collide with layer.
- ◆ Separated oil is stocked in a tank placed in bottom layer together with directing particles within the system. Flow of oil in desired direction can be ensured using 3/8 rotalock valve on bottom base.
- ◆ No buoy system is available in the product.

Connection Parts

- ◆ We determined Input and Output connections according to volume of products.
- ◆ ODS connection is used in standard products.
- ◆ 3/8" Rotalock Valve is installed at tank output in standard products.
- ◆ Different connection may be used upon request.
- ◆ We determine models of Sight Glass according to diameter of products.
- ◆ Sight glasses may be decreased and increased up to desired number.
- ◆ 2 Sight Glasses are available in standard products.
- ◆ If you want to use different models of Sight Glasses, you may see models on page 58 and order them.
- ◆ We strongly recommend using Liquid Level Sensor with products.
- ◆ There is oil level sensor connection in standard products,

Note;

- ◆ Our firm manufactures products of any required diameter, length, and properties according to relevant standards.
- ◆ Different colors may be used upon request in number of quantities.
- ◆ Oil Separators are manufactured in accordance with CE 97/23/EC directive.
- ◆ Please, contact us for further details.
- ◆ Our firm manufactures products of any required diameter, length, and properties according to relevant standards.
- ◆ Different colors may be used upon request in number of quantities.
- ◆ Oil Separators are manufactured in accordance with CE 97/23/EC directive.
- ◆ Please, contact us for further details.



产品简介:

- ◆ 带有的容器罐的螺旋式油分有不同的运用。
- ◆ 它被广泛的运用于各种压缩机机组上。
- ◆ 带有容器罐的螺旋式油分用于高压油管理系统中。
- ◆ 它尤其适用于涡旋和活塞式压缩机。
- ◆ 最好不要用在螺旋式压缩机。
- ◆ 标准的系列产品通常与相关的油或HFC冷凝物质一起用。
- ◆ 螺旋系统和不锈钢的过滤系统中的油分会比标准油分更有效分离油。
- ◆ 一旦选择适用于系统的款式的油分，它能达99%效率。
- ◆ 气/油混合物通过离心力沿着螺旋路径移动，油粒子就会在碰撞层和周边的表面旋转。
- ◆ 分离的油会被储存在罐子的最底层，和那些在系统内部的将粒子一起。流动的油会在固定的方向，这样能确保在油分底部使用3/8的锁定阀。
- ◆ 它也可以不带有浮标系统。

连接配件

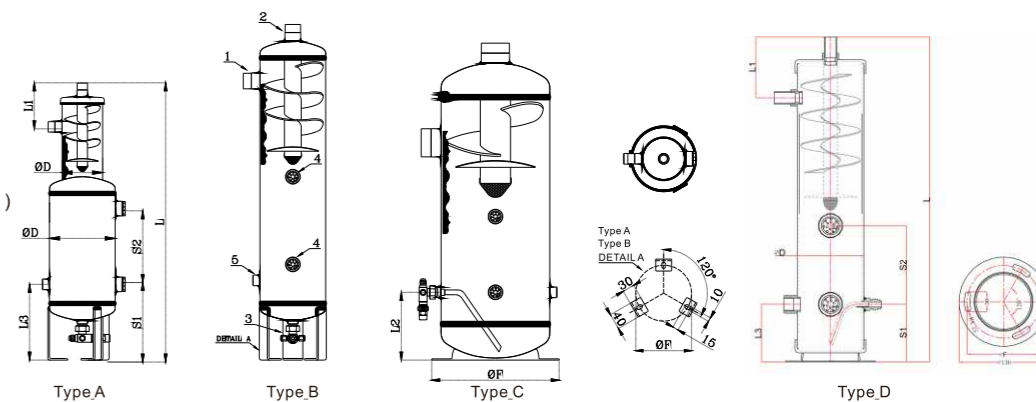
- ◆ 一般根据它的容积来决定是内连接还是外连接。
- ◆ 标准的产品一般都是ODS连接的。
- ◆ 标准的产品通常是把3/8的锁定阀安装在罐子的输出部位。
- ◆ 可分局要求做不同的连接。
- ◆ 我们根据产品的直径来决定用什么款式的试液镜。
- ◆ 试液镜的增减可根据客户的需求。
- ◆ 我们强烈建议您同时使用液面传感器。
- ◆ 一般都会会有一个油位传感器。

注:

- ◆ 我们可根据客户的合理需求定做不同的款式。
- ◆ 如果要不同颜色，我们要根据数量而定。
- ◆ 我们的油分符合CE 97/23/EC标准。
- ◆ 如果需要更多的信息，请随时与我们联系。

BLR/OSR Helical Oil Separator With Oil Reservoir BLR/OSR 储油式高效油分离器

1. Inlet Connection 进口
2. Outlet Connection 出口
3. Oil Return (3/8" SAE Rotalock Valve) 回油(3/8"锁定阀)
4. Sight Glass 视液镜
5. Liquid Level Sensor Connection (M20x1.5) (For Model LLS-01) 液位传感器



Model 型号	Volume 容积 Lt.	Dimensions 尺寸						Type 类型	Connections 接口尺寸	Sight Glass 视液镜			CE PED 97/23/EC 33 Bar
		D (mm)	L (mm)	L1 (mm)	L2 (mm)	L3 (mm)	F (mm)			Type Tip	Sg1 (mm)	Sg2 (mm)	
BLR/OSR-058	3.3	Φ 102	496	93	-	88	111	D	5/8" ODS	Sw36 with Swimming Ball	88	120	-
BLR/OSR-178	6.8	Φ102/165	695	110	-	190	140	A	7/8" ODS		190	180	CAT II / A1
BLR/OSR-1118	6.8	Φ102/165	695	110	-	190	140	A	1 1/8" ODS		190	180	CAT II / A1
BLR/OSR-2138	13.2	Φ165	842	142	-	200	140	B	1 3/8" ODS		230	220	CAT II / A1
BLR/OSR-2158	13.2	Φ165	850	150	-	200	140	B	1 5/8" ODS		230	220	CAT II / A1
BLR/OSR-2218	14.2	Φ165	855	155	-	200	140	B	2 1/8" ODS		230	220	CAT II / A1
BLR/OSR-3218	21.5	Φ219	710	205	150	150	VFC-247	C	2 1/8" ODS		150	150	CAT II / A1
BLR/OSR-3258	38.3	Φ273	800	255	170	170	VFC-320	C	2 5/8" ODS		170	190	CAT III / B+C1
BLR/OSR-3318	54.7	Φ324	820	280	190	190	VFC-320	C	3 1/8" ODS		190	130	CAT III / B+C1

Technical Data

- Working Pressure [PS]: 33 Bar
- Test Pressure [PT]: 48 Bar
- Allowable Temperature [TS]: Min. -10°C/ Max.-130°C
- Color [RAL]: 5009
- General Tolerans [mm]: ±5

技术参数

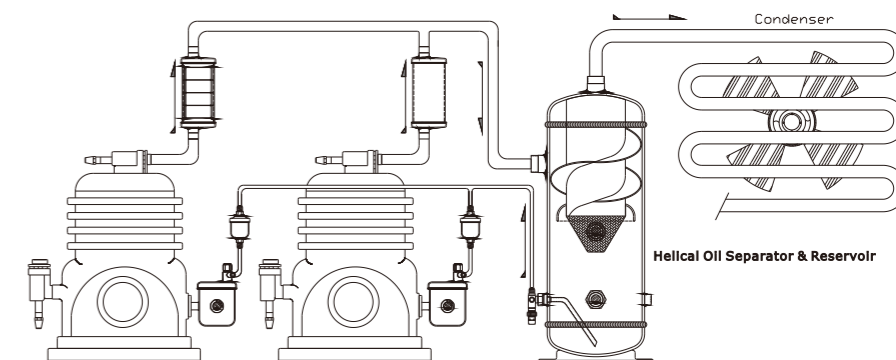
- 工作压力 [PS]: 33 Bar
- 测试压力 [PT]: 48 Bar
- 允许温度 [TS]: Min. -10°C/ Max.-130°C
- 颜色 [RAL]: 5009
- 常规误差 [mm]: ±5

Model 型号	Capacity In kW Of Refrigeration At Nominal Evaporator Temperature 名义工况下的制冷容量 (KW)						Maximum Discharge Volume (m3/h)最大流量			
	R404A / 507		R22		R717					
	-40°C	5°C	-40°C	5°C	-40°C	5°C				
BLR/OSR-178	26.8	33.4	27.1	31.0	N/A	N/A	12.6			
BLR/OSR-1118	44.4	55.3	44.9	51.3	N/A	N/A	20.8			
BLR/OSR-2138	66.3	82.6	67.0	76.6	N/A	N/A	31.0			
BLR/OSR-2158	92.6	92.6	115.3	115.3	93.6	107.0	107.0	94.03	125.38	43.3
BLR/OSR-2218	96.8	96.8	120.5	120.5	97.8	111.8	111.8	98.27	131.02	45.3
BLR/OSR-3218	205.8	205.8	236.7	236.7	208.8	219.5	219.5	214.40	257.28	74.1
BLR/OSR-3258	241.6	241.6	301.0	301.0	244.3	279.2	279.2	N/A	N/A	113.1
BLR/OSR-3318	342.4	342.4	426.6	426.6	346.2	407.0	395.7	N/A	N/A	160.2

All data is for a 38°C condensing temperature, 18°C suction temperature and a connection size the same as the compressor discharge valve.

所有的参数建立在冷凝温度38°C，蒸发温度18°C条件上的，并且接口尺寸都要与压缩机排气阀尺寸一样。

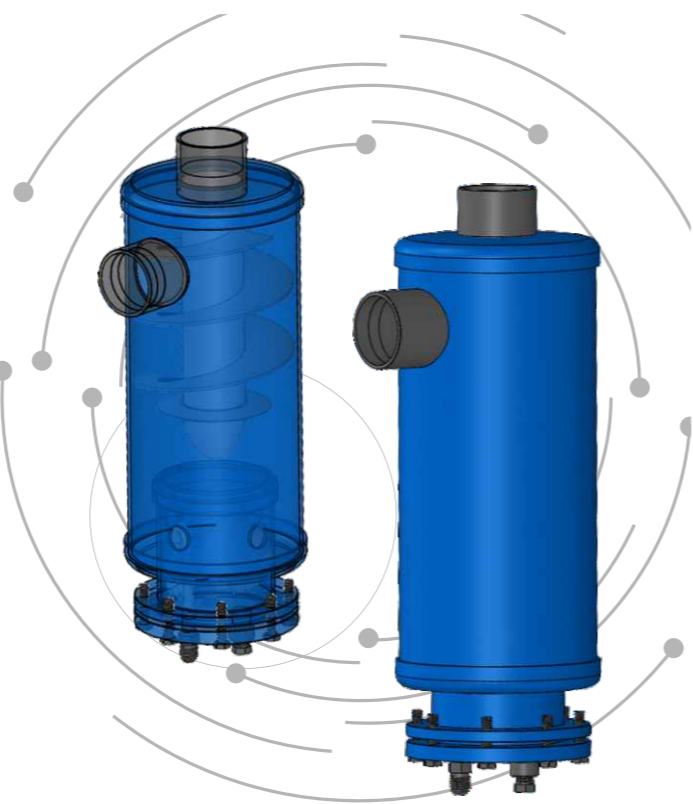
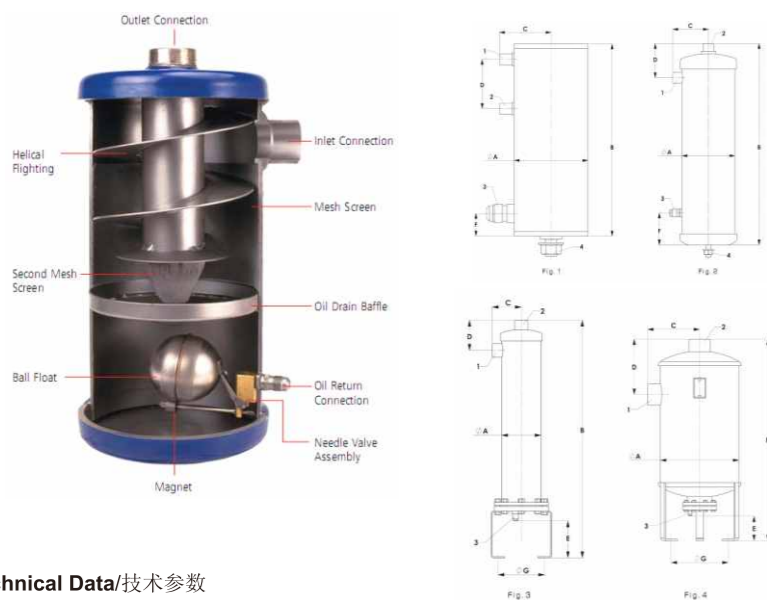
- ◆ Form of using within the system and internal design are clearly shown in table on the side.
- ◆ 使用原理以及内部构造如右图所示



General Description/描述

- ◆ Helical oil separator can be used in wide variety of applications. Common applications include multi-compressor racks and remote condensing units.
- ◆ The function of BLR/S helical oil separator is to efficiently remove oil from the discharge gas and return it to the compressor, either directly or indirectly. This helps maintain the compressor crankcase oil level and raises the efficiency of the system by preventing excessive oil circulation.
- ◆ The standard product range is designed for use with HCFC and HFC refrigerants, along with their associated oils. The SN range is suitable for use with HCFC, HFC and ammonia oils.

- ◆ 应用比较广泛，通常用于并联机组跟分体冷凝机组。
- ◆ BLR/S 油分的主要功能是通过直接或间接的方式，高效地将油从废气中分离出来并返回到压缩机里。这有助于保持压缩机曲轴里面的油位，通过组织系统中过多的油循环来提高压缩机的效率。
- ◆ 标准的产品可以用于HCFC 与HFC 制冷剂中，SN系列可以用于HCFC，HFC 跟氨气制冷剂中。



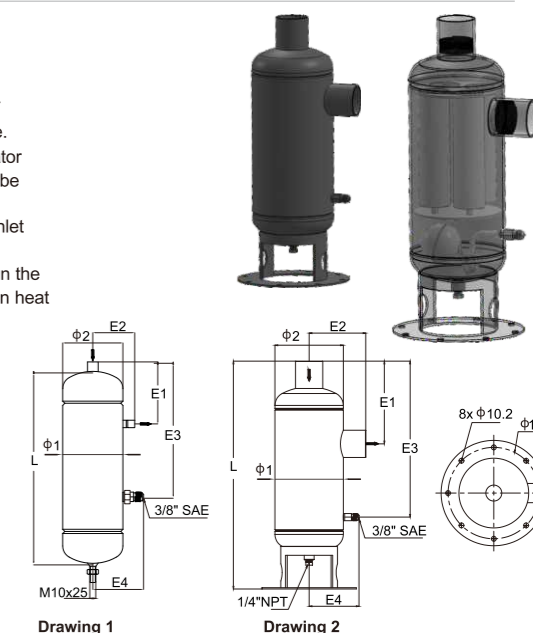
Technical Data/技术参数

Model	Connection	A	B	C	D	E	F	G	Mounting details	Drawing reference	Henry reference model
BLR/S-5180	1/4	64	166	45	43	N/A	19.5	N/A	M10	fig.1	S-5180
BLR/S-5181	3/8	64	195	45	71	N/A	19.5	N/A	M10	fig.1	S-5181
BLR/S-5182	1/2	102	333	69	64	N/A	58.5	N/A	M10	fig.2	S-5182-CE
BLR/S-5185	5/8	102	384	69	66	N/A	58.5	N/A	M10	fig.2	S-5185-CE
BLR/S-5187	7/8	102	434	74	76	N/A	58.5	N/A	M10	fig.2	S-5187-CE
BLR/S-5188	1 1/8	102	483	75	78	N/A	58.5	N/A	M10	fig.2	S-5188-CE
BLR/S-5190	1 3/8	152	384	108	91	N/A	60.5	N/A	M10	fig.2	S-5190-CE
BLR/S-5192	1 5/8	152	428	108	98	N/A	60.5	N/A	M10	fig.2	S-5192-CE
BLR/S-5194	2 1/8	152	436	114	105	N/A	60.5	N/A	M10	fig.2	S-5194-CE
BLR/S-5285	5/8	102	516	69	66	95	N/A	120.7	2*φ11 mm holes	fig.3	S-5285-CE
BLR/S-5287	7/8	102	563	74	76	95	N/A	120.7	2*φ11 mm holes	fig.3	S-5287-CE
BLR/S-5288	1 1/8	102	614	75	78	95	N/A	120.7	2*φ11 mm holes	fig.3	S-5288-CE
BLR/SN-5190	1 3/8	152	508	108	91	99	N/A	113	2*φ14 mm holes	fig.3	SN-5190-CE
BLR/SN-5192	1 5/8	152	559	108	98	99	N/A	113	2*φ14 mm holes	fig.3	SN-5192-CE
BLR/SN-5194	2 1/8	152	559	114	105	99	N/A	113	2*φ14 mm holes	fig.3	SN-5194-CE
BLR/S-5411	1 5/8	219	650	148	164	100	N/A	166	3*φ14 mm holes	fig.4	S-5411-CE
BLR/S-5412	2 1/8	219	650	148	164	100	N/A	166	3*φ14 mm holes	fig.4	S-5412-CE
BLR/S-5413	2 5/8	273	758	183	201	125	N/A	223	3*φ14 mm holes	fig.4	S-5413-CE
BLR/S-5414	3 1/8	324	831	215	229	100	N/A	273	3*φ14 mm holes	fig.4	S-5414-CE

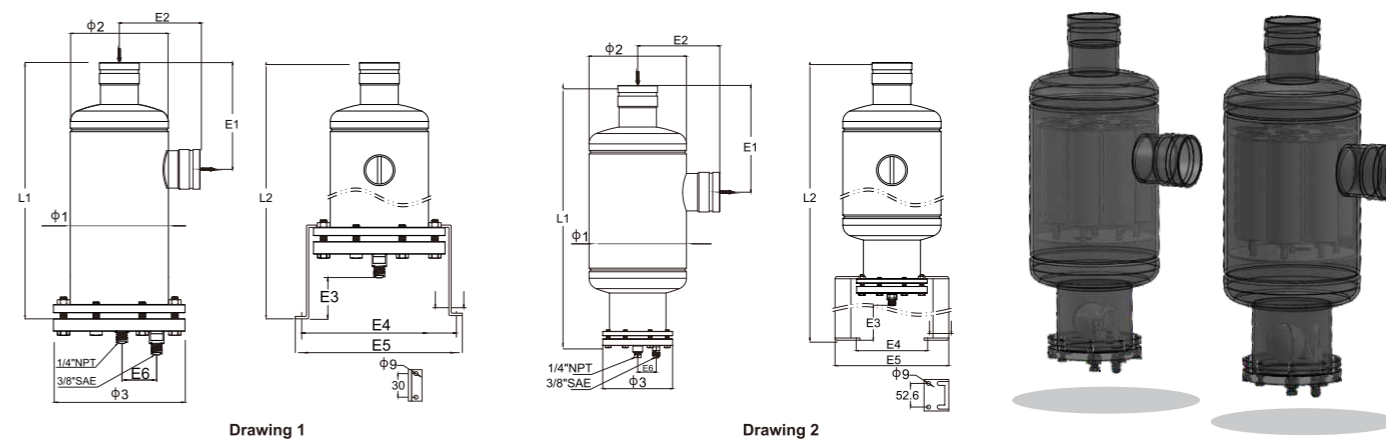
General Description/描述

- Oil separators should be installed vertically on the discharge line, as close as possible to the compressor.
- Connection diameter of the oil separators should be higher than or equal to the diameter of discharge line.
- In the case of a multi-compressor installation mounted in parallel, it is recommended to use one oil separator by compressor, in order to keep an optimal efficiency at all operating rates, otherwise, the separator should be selected based on the sum of each compressor's maximum capacity.
- The oil separation performances will depend directly on the flow rate of the oil/refrigerant mixture at the inlet of the separators.
- In order to prevent all risks of refrigerant condensation, it is recommended to not install the oil separators in the air flow produced by the fans. In a cold environment, it may be necessary to provide for the installation of an heat insulation or a heating element around the separators.
- The efficiency of the oil separation is never 100%, especially with variable operating.

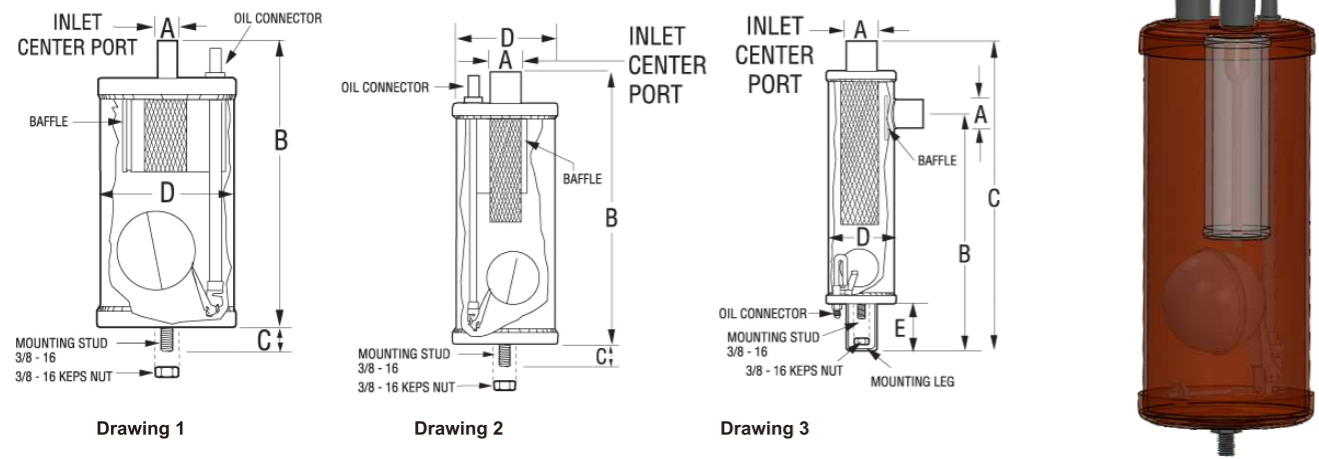
- ◆ 油分安装时必须与排气管线垂直，越靠近压缩机越好
- ◆ 油分的口径必须大于或等于排气口的口径
- ◆ 如果用于多台压缩机并联的系统时，为了保持最佳的分油效率，我们建议一台压缩机配一个油分，另外，油分的选择应该基于所有压缩机的最大功率。
- ◆ 油分的性能直接取决于进口处油与制冷剂的混合流量
- ◆ 为了预防制冷剂凝结的风险，我们建议不要把油分安装在风机的出风方向。在一个寒冷的环境中，可能需要在油分的周围装一个保温棉或者加热元件
- ◆ 油分的效率从来不会是100%，尤其是在使用不同的操作方法的时候。



Model	Connection (ODF)	Drawing No.	φ1	φ2	L	E1	E2	E3	E4	Carly Reference Model	
BLR/C-1503 S	3/8	1	101.6	109	283	80	71	175	84	Turboil 1503 S	Turboil 1503 MMS
BLR/C-1504 S	1/2	1	101.6	109	283	80	71	175	84	Turboil 1504 S	Turboil 1504 MMS
BLR/C-1505 S	5/8	1	101.6	109	305	82	73	197	84	Turboil 1505 S/MMS	
BLR/C-3006 S	3/4	1	101.6	109	308	85	76	200	84	Turboil 3006 S	Turboil 3006 MMS
BLR/C-3007 S	7/8	1	101.6	109	358	97	83	250	84	Turboil 3007 S	Turboil 3007 MMS
BLR/C-3009 S	1 1/8	1	101.6	109	390	107	80	282	84	Turboil 3009 S	Turboil 3009 MMS
BLR/C-3011 S	1 3/8	1	101.6	109	487	116	90	379	84	Turboil 3011 S/MMS	
BLR/C-6009 S	1 1/8	1	101.6	109	434	107	80	327	84	Turboil 6009 S	Turboil 6009 MMS
BLR/C-6011 S	1 3/8	1	101.6	109	549	116	90	441	84	Turboil 6011 S/MMS	
BLR/C-7011 S	1 3/8	2	152.4	156	419	149	114	249	109	Turboil 7011 S/MMS	
BLR/C-8013 S	1 5/8	2	152.4	156	498	149	114	329	109	Turboil 8013 S	Turboil 8013 MMS
BLR/C-9017 S	2 1/8	2	152.4	156	512	162	127	342	109	Turboil 9017 S/MMS	



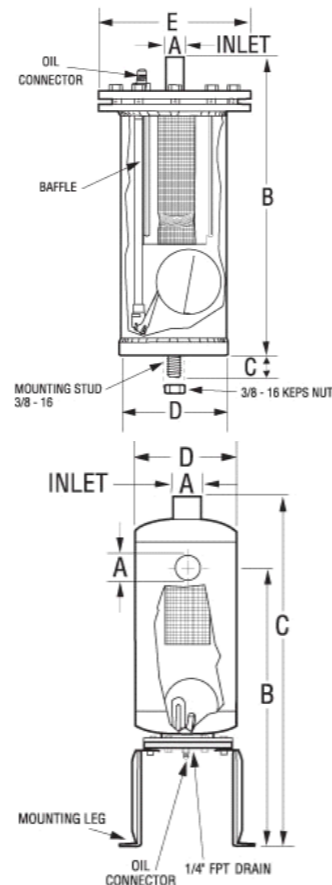
Model	Connection (ODF)	Drawing No.	φ1	φ2	φ3	L1	L2	E1	E2	E3	E4	E5	E6	Volume (L)	Carly Reference Model	
BLR/C-F 2505S	5/8	1	101.6	109	140	303	441	82	73	113	204	222	35	2.29	Turboil-F 2505S/MMS	
BLR/C-F 3007S	7/8	1	101.6	109	140	355	494	102	83	113	204	222	35	2.62	Turboil-F 3007S	Turboil-F 3007MMS
BLR/C-F 3009S	1 1/8	2	101.6	109	140	387	526	107	88	113	204	222	35	2.82	Turboil-F 3009S	Turboil-F 3009MMS
BLR/C-F 3011S	1 3/8	2	101.6	109	140	485	623	116	90	113	204	222	35	3.56	Turboil-F 3011S/MMS	
BLR/C-F 7011S	1 3/8	2	152.4	156	200	395	523	148	114	99	258	276	40	5	Turboil-F 7011S/MMS	
BLR/C-F 8013S	1 5/8	2	152.4	156	200	428	555	148	114	99	258	276	40	6	Turboil-F 8013S	Turboil-F 8013MMS
BLR/C-F 9017S	2 1/8	2	152.4	156	200	441	569	161	127	99	258	276	40	6	Turboil-F 9017S/MMS	
BLR/C-F 15013S	1 5/8	2	219.1	224	150	492	821	174	149	307	126	249	35	11.5	Turboil-F 15013S	Turboil-F 15013MMS
BLR/C-F 15017S	2 1/8	2	219.1	224	150	550	879	195	171	301	126	249	35	13.2	Turboil-F 15017S/MMS	
BLR/C-F 15021S	2 5/8	2	219.1	224	150	565	894	215	184	301	126	249	35	13.4	Turboil-F 15021S	Turboil-F 15021MMS
BLR/C-F 30025S	3 1/8	2	219.1	224	150	577	906	234	185	301	126	249	35	13.5	Turboil-F 30025S	Turboil-F 30025MMS



Model	Oil Conn. Size	A	B	C	D	E	Oil Charge Amount	Drawing No	Temprite reference Model
BLR/T-900	1/4" ODS 6.35mm	3/8" ODS 9.53mm	8-1/4" 210mm	3/4" 19mm	4" 102mm	/	15 oz. 445ml	Drawing 1	900
BLR/T-900-1	1/4" ODS 6.35mm	3/8" ODS 9.53mm	8-1/4" 210mm	3/4" 19mm	4" 102mm	/	15 oz. 445ml		900-1
BLR/T-901	1/4" ODS 6.35mm	1/2" ODS 12.7mm	8-3/8" 213mm	3/4" 19mm	4" 102mm	/	15 oz. 445ml		901
BLR/T-902	1/4" ODS 6.35mm	5/8" ODS 15.88mm	10-9/16" 268mm	3/4" 19mm	4" 102mm	/	15 oz. 445ml	Drawing 2	902
BLR/T-903	1/4" ODS 6.35mm	7/8" ODS 22.23mm	10-7/8" 276mm	3/4" 19mm	4" 102mm	/	15 oz. 445ml		903
BLR/T-904	1/4" ODS 6.35mm	1-1/8" ODS 28.58mm	15-1/8" 384mm	18-3/8" 467mm	4" 102mm	3" 76mm	16 oz. 475ml	Drawing 3	904
BLR/T-905	1/4" ODS 6.35mm	1-3/8" ODS 34.93mm	15-1/8" 384mm	18-3/8" 467mm	4" 102mm	3" 76mm	16 oz. 475ml		905

Model	Oil Conn Size	A	B	C	D	E	Oil Charge Amount	Temprite reference Model
BLR/T-501	1/4" SAE	1/2" ODS 12.7mm	10-1/4" 260mm	3/4" 19mm	4" 102mm	5-1/2" 140mm	16 oz. 475mm	501
BLR/T-502	1/4" SAE	5/8" ODS 15.88mm	12-7/8" 327mm	3/4" 19mm	4" 102mm	5-1/2" 140mm	16 oz. 475mm	502
BLR/T-503	1/4" SAE	7/8" ODS 22.23mm	14-5/8" 371mm	3/4" 19mm	4" 102mm	5-1/2" 140mm	16 oz. 475mm	503
BLR/T-504	1/4" SAE	1-1/8" ODS 28.58mm	15-1/2" 394mm	3/4" 19mm	4" 102mm	5-1/2" 140mm	16 oz. 475mm	504
BLR/T-505	1/4" SAE	1-1/8" ODS 28.58mm	18-7/8" 479mm	3/4" 19mm	4" 102mm	5-1/2" 140mm	16 oz. 475mm	505

Model	OilConnSize	A	B	C	D	E	Oil Charge Amount	Temprite reference Model
BLR/T-506	3/8" SAE	1-5/8" ODS 41.28mm	15-1/4" 387mm	20-1/4" 514mm	20-1/4" 514mm	6" 152mm	20 oz. 590ml	506
BLR/T-507	3/8" SAE	2-1/8" ODS 53.98mm	16-1/4" 413mm	21-1/4" 540mm	20-1/4" 514mm	6" 152mm	20 oz. 590ml	507



BLR/AOS Automobile Ac & Transportation
Refrigeration Oil Separator
BLR/AOS 车用油分离器

GENERAL DESCRIPTION / 描述

BLR/AOS-043 Automobile Oil Separator is designed for TRUCK AND BUS air conditioning and refrigeration system. To Prevent the oil flow with the gas and influence the evaporator refrigeration capacity and condenser heat trap, normally there is one oil separator installed between compressor and condenser.

BLR/AOS车用油分离器是专门为卡车和大巴车的制冷空调系统设计 的。为了防止压缩机里的油跟随制冷剂流向系统中，通常会在压缩机和 冷凝器之间安装一个油分离器，用于防止冷凝器散热效果和制冷效果降低。

WORKING PRINCIPLE / 工作原理:

The working principle is to use the differential pressure to automatically return the oil separated from the gas to crankcase to guarantee the enough oil inside compressor, so that it can guarantee the compressor service life and refrigeration capacity

工作原理就是通过系统的高低压差，使系统里面的冷冻油和冷媒分开，并自动的返回到压缩机曲轴箱内，来保证压缩机不缺油，进而更好地保护压缩机以及达到更好的制冷效果。



General Description:

- ◆ Screw-type oil separators are especially designed for screw compressors.
- ◆ These oil separators are suitable for all HFC-coolers and cooling circuits with R22 application.
- ◆ Products with 4 different volume are manufactured as standard: (BLR/OSD-180x2, BLR/OSD-400x2, BLR/OSD-900x3, BLR/OSD-1300x3).

Connection Parts:

- ◆ We determined Input and Output connections according to volume of products.
 - ◆ Rotalock valve connection is used in standard products. (Flare/Flare)
 - ◆ Different connection may be used upon request.
 - ◆ 7/8" Rotalock Valve is installed at tank output in standard products.
 - ◆ We determine models of Sight Glass according to diameter of products.
 - ◆ Sight glasses may be decreased and increased up to desired number
 - ◆ 2 Sight Glasses are available in standard products.
 - ◆ We strongly recommend using Safety Valve in products.
 - ◆ There is a Safety Valve connection after certain volume. See technical data table for details.
 - ◆ Please, contact us for different Safety Valve connections
 - ◆ We strongly recommend using Liquid Level Sensor with products.
 - ◆ There is oil level sensor connection in standard products.
 - ◆ Connection parts for oil heaters and oil thermostat are available in standard products. Details are given in technical data table.
- Note:**
- ◆ Our firm manufactures products of any required diameter, length, and properties according to relevant standards.
 - ◆ Different colors may be used upon request in number of quantities.
 - ◆ Oil Separators are manufactured in accordance with CE 97/23/EC directive.
 - ◆ Please, contact us for further details.



描述

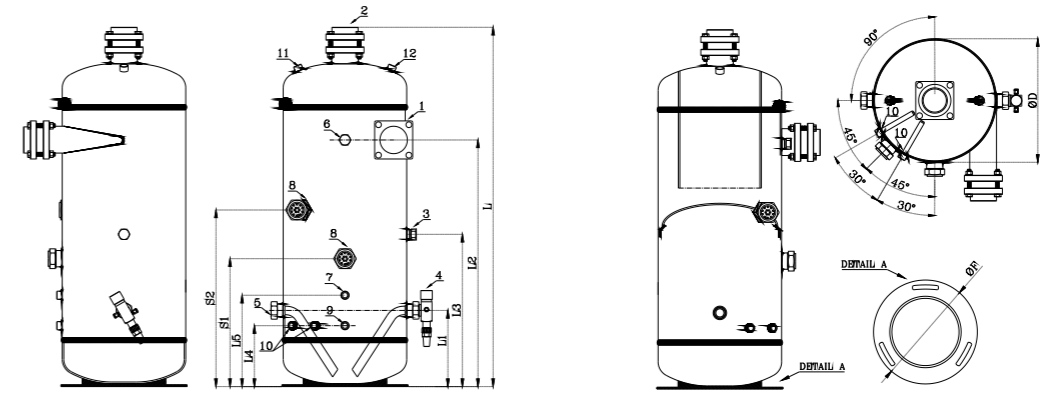
- ◆ 螺杆式油分是专门为螺杆式压缩机设计的。
- ◆ 这些油分适用于所有的HFC冷风机和R22冷却系统。
- ◆ 标准产品共有4个不同的容积 (BLR/OA-1954, BLR/OA4188, BLR/OA-07111, BLR/OA-25112)。

产品连接件:

- ◆ 我们根据产品的容积来决定输入和输出接口。
- ◆ 标准产品配有锁定阀接口(Flare/Flare)
- ◆ 可根据要求做不同接口尺寸的产品。
- ◆ 标准产品的出口装有接口为7/8"的锁定接头阀。
- ◆ 我们依据产品直径来决定试液镜的型号。
- ◆ 试液镜可根据要求增减。
- ◆ 通常标准产品装有2个试液镜。
- ◆ 我们强烈建议您同时使用安全阀。
- ◆ 达到一定容积之后,会有一个安全阀接口,详细资料请看参数表
- ◆ 如果需要不同接口尺寸的安全阀,请随时与我们联系。
- ◆ 我们强烈建议同时使用液位传感器。
- ◆ 标配是带有一个油位传感器接口的。
- ◆ 用于油加热器和油控制器的接口部件的详细资料,请看参数表。

注意:

- ◆ 我司可根据客户的合理要求定做不同尺寸的油分。
- ◆ 不同颜色的要求是根据数量而定的。
- ◆ 我们的油分是符合 CE 97/23/EC 标准的。
- ◆ 如需更多的参数,请随时与我联系。



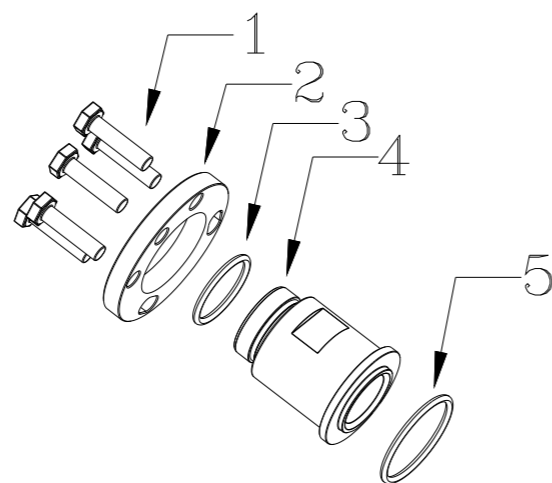
Model型号	BLR/OA1954	BLR/OA4188	BLR/OA9111	BLR/OA14111	BLR/OA25112	
GVN Cross Reference GVN参考型号	OS/D-180x2	OS/D-400x2	OS/D-900x2	OS/D-1300x2		
Blitzer Cross Reference 比泽尔参考型号	OA1954	OA4188	OA9111	OA14111	OA25112	
WTK Cross Reference WTK参考型号	RS 180	RS 400	RS 900	RS 1300		
COMPRESSOR SUCTION VOLUME 压缩机的吸油量						
Air Conditioning 空调	m/h	270	490	940	1320	
Cooling and High Temperature 冷却高温	R134a R22	250	580	1160	2050	
	R404a R507a	220	440	840	1900	
Cooling and Medium Temperature 冷却中温	R134a R22	300	660	1320	2300	
	R404a R507a	300	620	1180	2100	
Cooling and Low Temperature 冷却低温	R404a R507a	300	660	1320	2500	
NOMINAL DATA 名义参数						
Total Volume 总容积	dm ³	40	120	220	330	655
Weight 重量	kg	45	95	180	290	565
Maximum Oil Charge 最大换油量	dm ³	19	50	90	130	250
Oil Heater	Watt	1*140	2*140	3*140	3*140	3*200
Max. No. of Compressor 最大的压缩机数量	HS.53	2	5	None	None	None
	HS.64	1	4	6		
	HS.74	1	2	5	6	6
DIMENSIONS 尺寸						
Ø D	mm	Ø 324	Ø 406	Ø 500	Ø 600	Ø 762
L	mm	835	1180	1620	2020	1894
L1	mm	210	250	320	320	758
L2	mm	550	810	1170	1470	1328
L3	mm	390	500	620	650	
L4	mm	170	200	220	220	208
L5	mm	230	300	340	340	308
S1	mm	300	420	500	560	
S2	mm	400	580	750	920	
Ø F	mm	VFC-320	VFC-415	VFC-550	VFC-650	
CONNECTIONS						
1	Refrigeration Inlet Connection 制冷进口	1	ODS 54	OD 76	OD 92	OD 114
2	Refrigeration outlet Connection 制冷出口	2	ODS 54	OD 76	OD 92	OD 114
3	Oil Inlet Connection 油进口	4	7/8" Rot. Valve			
4	Oil Outlet Connection 油出口	5	7/8" Rot. Valve	1 3/8" Rot. Valve	1 5/8" Rot. Valve	2 1/8" Rot. Valve
5	Parallel Compressor Oil Outlet Connection 并联压缩机油连接	4	1 1/4" Rtlk & Plug	1 3/4" Rtlk & Plug	2 1/4" Rtlk & Plug	2 1/4" Rtlk & Plug
6	Service Valve Connection 相关阀连接	3	1 1/4" 12 UNF & Plug			
7	Oil Level Sensor Connection 油位传感器连接	7	M20x1.5 (For LLS-01)			
8	Sight Glasses 视液镜	8	SG-1 3/4"	SG-2 1/4"	SG-DN80	SG-DN80
9	Oil Heaters 油加热器	10	2x 1/2"NPTF & Plug	2x 1/2"NPTF & Plug	3x 1/2"NPTF & Plug	4x 1/2"NPTF & Plug
10	Thermostat 温控器	10	1/2"NPTF & Plug			
11	Service Valve Connection 检修阀接口	-	3/8" NPT Connection & Plug			
12	Safety Valve Connection 安全阀接口	-	1/2" NPT Connection & Plug			
CERTIFICATES						
CATEGORY / 归类	97/23/EC	[B + C1] III	[B + D] IV	[B + D] IV	[B + D] IV	[B + D] IV
Refrigerant Type 制冷剂类型 = HFC, HCFC, NH3						

Technical Data

- Working Pressure [PS]: 33 Bar
- Test Pressure [PT]: 48 Bar
- Allowable Temperature [TS]: Min. -10°C/ Max.-120°C
- Color [RAL]: 5009
- General Tolerans [mm]: ±5

技术参数

- 工作压力 [PS]: 33 Bar
- 测试压力 [PT]: 48 Bar
- 允许温度 [TS]: Min. -10°C/ Max.-120°C
- 颜色 [RAL]: 5009
- 常规误差 [mm]: ±5



Model 型号	Dimensions 尺寸				
	1	2	3	4	5
BLR/OLR-ADP-10A	M8.8	3 Bolt 1.7/8" B.C. & 4 Bolt 50mm B.C.3,8	O ring	Thread 1 1/8"-12UNF	O ring
BLR/OLR-ADP-10B	M8.8	3 Bolt 1.7/8" B.C. & 4 Bolt 50mm B.C.3,8	O ring	Thread 1 1/8"-18UNEF	O ring

Compressor Adapter Technical Data
压缩机适配器参数表

Compressor 压缩机		Compressor Connections 压缩机接口尺寸	Adapter Kit Models 适配器型号
Compressor Brand 压缩机品牌	Compressor Series & Model 型号		
BITZER 比泽尔	From 2 CC up to 2 KC	1.1/8" - 18UNEF Thread	BLR/OLR-ADP-10B
	From 4 CC up to 4 FC	1.1/8" - 18UNEF Thread	BLR/OLR-ADP-10B
	ESH	1.1/8" - 18UNEF Thread	BLR/OLR-ADP-10B
	From 4 NC up to 4 VC	3 Bolts, 1.7/8" B.C	Not Necessary 不需要
	6D - 6E	3 Bolts, 1.7/8" B.C	Not Necessary 不需要
	8 FC - 8 GC	3 Bolts, 1.7/8" B.C	-
	2 H - 2 T - 4 H - 4 T - 4 P	4 Bolts, 50 mm B.C	Not Necessary 不需要
BOCK 基伊埃.博克	4 G - 4 H - 4 J - 6 F - 6 G - 6 H - 6 J	4 Bolts, 50 mm B.C	Not Necessary 不需要
	S 4 - S 6	4 Bolts, 50 mm B.C	Not Necessary 不需要
	HA From 3 up to 5	3 Bolts, 1.7/8" B.C	Not Necessary 不需要
	HG From 3 up to 5	3 Bolts, 1.7/8" B.C	Not Necessary 不需要
	HG 7 & HG 8	3 Bolts, 1.7/8" B.C	Not Necessary 不需要
CARRIER 开利	AM From 2 up to 5	4 Bolts, 50 mm B.C	-
	F From 2 up to 16	4 Bolts, 50 mm B.C	-
COPELAND 谷轮	HA12, 22, 34 / HG 12, 22, 34	1.1/8" - 18UNEF Thread	BLR/OLR-ADP-10B
	EA, ER, 6E, OBE, OBCC	3 Bolts, 1.7/8" B.C	Not Necessary 不需要
DORIN 都灵	D2, D3, D4, D6, 4CC, 6CC	3 Bolts, 1.7/8" B.C	Not Necessary 不需要
	D8, 8CC	3 Bolts, 1.7/8" B.C	-
DUNHAM BUSH 顿汉姆布什	DK, DL, DN, ZR, ZZ	1.1/8" - 12UNEF Thread	BLR/OLR-ADP-10A
	K, KP, 2S, Y	3 Bolts, 1.7/8" B.C	Not Necessary 不需要
FRASCOLD 富士豪	H From 40CC up to 240SB	1.1/8" - 18UNEF Thread	BLR/OLR-ADP-10B
	K From 400CC up to 240SB	1.1/8" - 18UNEF Thread	BLR/OLR-ADP-10B
MANEUROP 美优乐	BIG 4	3 Bolts, 1.7/8" B.C	Not Necessary 不需要
	ALL	3 Bolts, 1.7/8" B.C	Not Necessary 不需要
REFCOMP 莱富康	ALL	1.1/8" - 18UNEF Thread	BLR/OLR-ADP-10B
	L, OF, SP	3 Bolts, 1.7/8" B.C	-
TECUMSEH 泰康	P, R, S, PA, RA, SA, CK, CM, CH, CG	1.1/8" - 12UNEF Thread	BLR/OLR-ADP-10A
	TAG, TAH	1.1/8" - 18UNEF Thread	BLR/OLR-ADP-10B
TRANE 特灵	M, R	3 Bolts, 1.7/8" B.C	Not Necessary 不需要
	GC, GS, JS	3 Bolts, 1.7/8" B.C	Not Necessary 不需要

General Description/描述

BLR/OMB Series Electric Oil Level Regulator is a compressor crankcase oil level protective control ideal for use with Copeland Scroll models ZF,ZB,ZR and ZS. It is also recommended for Copeland brand products,Carlyle, Bitzer,Refcomp, Dorin, Bock, Frascold, Trane, Carrier, York, and other semi-hermetic compressors.

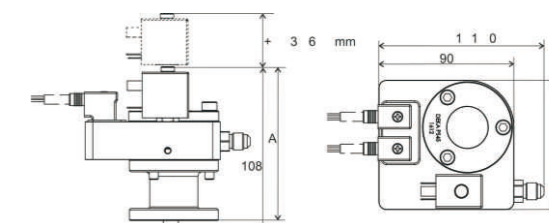
BLR/OMB 系列电子油位平衡器适用于谷轮ZF, ZB, ZR和ZS涡旋压缩机, 它是通过压缩机曲轴箱油位平衡保护器控制的。它可以用于谷轮, 加利, 比泽尔,莱富康, 都灵, 博克, 富士豪, 特灵, 约克等其他品牌的半封闭压缩机

Features

- ◆ Precision oil level measurement for maximum protection
- ◆ Easy monitoring with alarm and status lights
- ◆ Foam resistant design prevents nuisance trips unlike optical sensor designs
- ◆ Contaminant proof operation ensures accurate control
- ◆ Only approved oil level control for Copeland Scroll Compressors
- ◆ 5-time lockout feature protects compressor from repeated low oil level condition

特性:

- ◆ 为最大限度的保护精密测量机油油位
- ◆ 具有报警和状态灯容易监测
- ◆ 抗泡设计防止滋扰旅行不像光学传感器的设计
- ◆ 污染物证明保证准确的控制操作
- ◆ 只有经过批准的油位控制谷轮涡旋压缩机
- ◆ 5个锁定功能防止重复低油位可以保护压缩机



Order Information /订单信息

Description
Oil Management Control
BLR/OMB-JB1ASC2 24/50-60-STD
BLR/OMB-MO1 ASC 2 24/50-60-STD

Optional Adapters
(to attach BLR/OMB to Copeland Scroll compressor for new installation only)
BLR/OMB-ACB ADAPTER (Copeland Scroll ZR with: 1 1/8"-12 UNF thread with O-ring)
BLR/OMB-ACA ADAPTER (Copeland Scroll ZF,ZS,ZB: 3&4 bolt combination flange with O-ring)
BLR/OMB-AUA ADAPTER (Copeland 6D & Semi-hermetic Universal 8D & Bitzer up to 6 Cylinder: 3&4 bolt combination flange with O-ring)

Service Parts
Inlet Flare Screen
Sight Glass O-Ring Mounting

BLR/KS-30112 Solenoid Repair Kit

Specifications

Maximum working pressure:640psi
Solenoid MOPD:350psi
Supply voltage:24 V AC,50/60 Hz
Solenoid coil:ASC 2L 24 V AC,50/60 Hz
Current consumption:0.6A
Time delay for low level signalling:5-10 seconds
Time delay for after setpoint recovery:5-10 seconds
Alarm delay time:120 seconds
Alarm switch:SPDT
Alarm contact rating:10A@125; 5A@220V AC;50/60Hz
Refrigerant compatibility:HFC,HCFC,CFC
Oil temperature:180°F Max.
Storage and transport temperature:140°F Max.
Operating ambient temperature:120°F Max.
Oil supply fitting:1/4" Male SAE
Transformer VA requirements * ~25"

技术参数

最大工作压力: 640PSi
电磁线圈MOPD: 350PSi
输出电压: 24 V AC,50/60 Hz
电磁线圈电压: ASC 2L 24 V AC,50/60 Hz
电流消耗: 0.6A
低平衡信号的时间延迟是: 5-10秒
定位点回复的时间延迟是: 5-10秒
警钟可以延迟120秒
报警器开关: SPDT
报警触头额定值: 10A@125; 5A@220V AC;50/60Hz
适用的制冷剂: HFC,HCFC,CFC
油的温度: 180 °F Max.
储存和运输温度: 140 °F Max.
操作环境温度: 120 °F Max.
油供应配件: 1/4" Male SAE
变压器VA要求: 25"

NOTE: Field supplied transformer should always be of the same primary voltage as the electrical supply system.
注意: 现场变压器应始终与原先的供电系统的电压一样



General Description

- ◆ Provide permanent control over oil coming to compressor in multiple balance compressor systems.
- ◆ Completely eliminate recycling risk of liquid resulting from compressor.
- ◆ Used between oil tank and compressor, and directly mounted to compressor's s carter.
- ◆ Mechanical Type product in 2 different models; fixed and adjustable.
- ◆ The products are designed for 3-bolt & 4-bolt flange systems.
- ◆ The product operates with floating ball system.
- ◆ Oil level can be easily followed thanks to sight glasses provided in the product.
- ◆ We strongly recommend using oil filters together with oil level regulators.

Connection & adapters

- ◆ 3/8" SAE input connection is available.
- ◆ Can be easily mounted to compressors thanks to flange connection suitable for any type of compressor
- ◆ BLR/OLR-01 Model is a product with 2 flange connections.
- ◆ BLR/OLR-02 Model is a product with 1 flange and 2 sight glass connections.
- ◆ BLR/OLR-03 and 04 Models are products with 1 flange and 1 sight glass connections. These are more economic and easy-to-use products
- ◆ Different connection may be used upon request.

Note:

- ◆ Deep drawn body is used in our products.
- ◆ Our firm manufactures products of any required diameter, length, and properties according to relevant standards.
- ◆ Max. operating pressure / PS: 0,35 / 2,1
- ◆ Different colors may be used upon request in number of quantities.
- ◆ Oil level regulators are manufactured in accordance with CE 97/23/EC directive.
- ◆ Please, contact us for further details.

描述

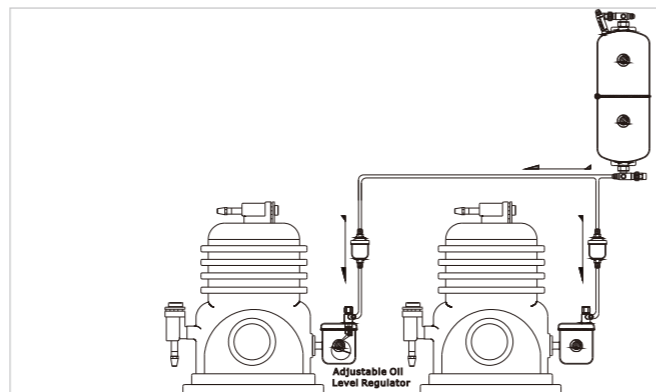
- ◆ 在几台压缩机组的并联系统中，用油位平衡器来持续控制维持合适的油位
- ◆ 完全消除压缩机内液体回流的风险
- ◆ 用于压缩机和曲轴箱之间，直接安装到压缩机的卡特上
- ◆ 机械式油位控制器有不可调式和可调式两种
- ◆ 标准型号的控制器带3个或4个螺栓孔的法兰连接
- ◆ 产品通过浮标来操作
- ◆ 油位能够很清晰的通过控制器上的视液镜看到
- ◆ 我们强烈建议能够把油过滤器和油位平衡器一起使用

接口 & 适配器:

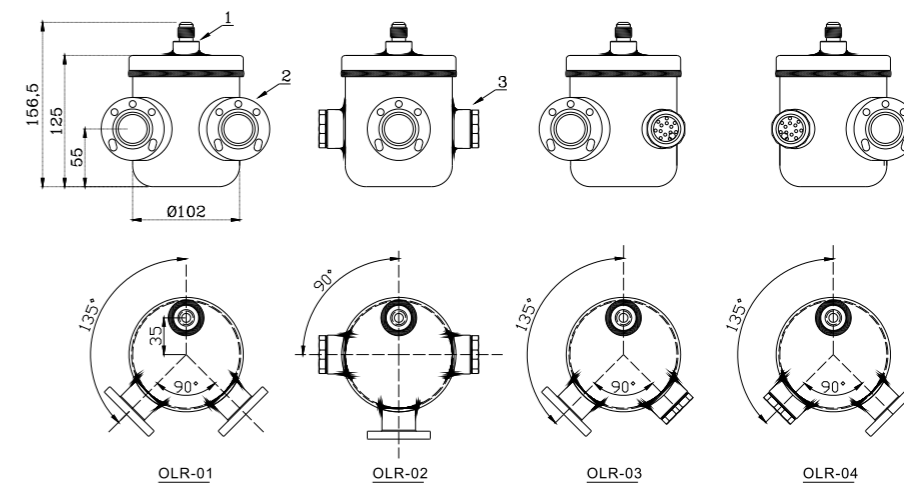
- ◆ 可以提供接口尺寸 3/8" SAE
- ◆ 它可以很容易的通过法兰接口连接各种款式的压缩机
- ◆ BLR/OLR-01 型号带有2个法兰接口
- ◆ BLR/OLR-02 带有1个法兰接口和2个视液镜
- ◆ BLR/OLR-03 和 04 型号带有1个法兰接口和1个视液镜,这种是最经济最简便的。
- ◆ 可根据要求定做不同的接头

注:

- ◆ 产品采用深拉伸外壳。
- ◆ 可根据相关标准定做不同直径，长度和特性的产品
- ◆ 最大工作压力：PS: 0,35 / 2,1
- ◆ 不同颜色的定制必须依据数量的多少
- ◆ 油位平衡器的制造完全参照CE 97/23/EC 标准
- ◆ 更多的要求请与我们联系



info@bluerefrigeration.com

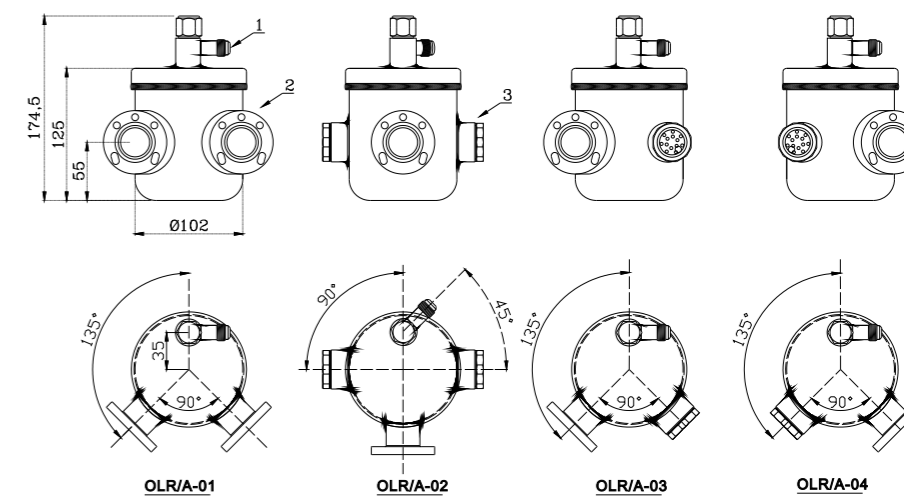


1. Inlet Connection (3/8" SAE)
进口尺寸(3/8"螺口)

2. Outlet Connection (Flange)
出口连接(法兰)

3. Sight Glass
视液镜

Model 型号	Connections 接口尺寸			Regulator Type 控制器类型	Allow. Oil Pressure Diff.[bar] 允许油压差值	Allowable Operating Press. 允许工作压力	Allow. Operating Temperature 允许工作温度	CE PED 97/23/EC 33 Bar
	1	2	3					
BLR/OLR-01				Fixed 不可调式	0.35 to 2.1	0 to 31 bar	0°C to + 110°C	SEP
BLR/OLR-02	3/8" SAE Flare Inlet	3 Bolt 1.7/8" B.C. & 4 Bolt 50mm B.C.	2 x SW36					
BLR/OLR-03			1 x SW36					
BLR/OLR-04			1 x SW36					



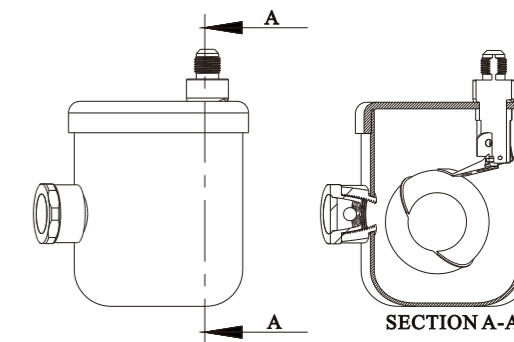
1. Inlet Connection (3/8" SAE)
Adjustable
进口(3/8"螺口)尺寸可调节

2. Outlet Connection (Flange)
出口(法兰)

3. Sight Glass 试液镜

Model 型号	Connections 接口尺寸			Regulator Type 控制器类型	Allow. Oil Pressure Diff.[bar] 允许油压差值	Allowable Operating Press. 允许工作压力	Allow. Operating Temperature 允许工作温度	CE PED 97/23/EC 33 Bar
	1	2	3					
BLR/OLRA-01				Adjustable 可调式	0.35 to 6.2	0 to 31 bar	0°C to + 110°C	SEP
BLR/OLRA-02	3/8" SAE Flare Inlet	3 Bolt 1.7/8" B.C. & 4 Bolt 50mm B.C.	2 X SW36					
BLR/OLRA-03			1 X SW36					
BLR/OLRA-04			1 X SW36					

Internal system Image of OIL LEVEL REGULATORS
油位平衡器内部结构

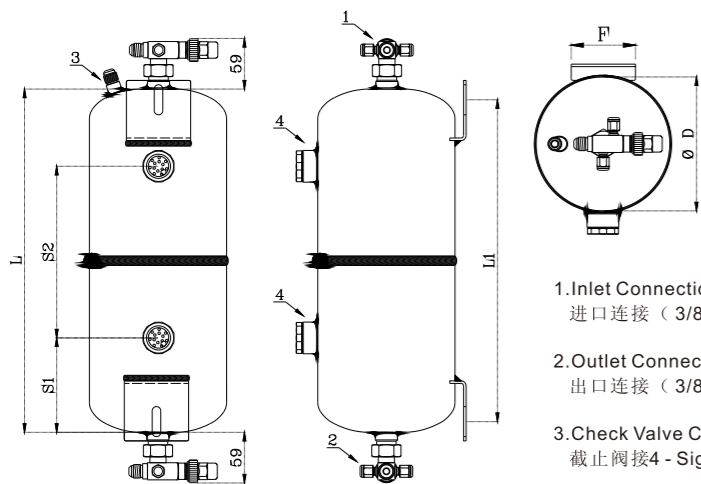


www.bluerefrigeration.com

General Description / 描述

Oil reservoirs are storage tanks that take oil from oil separator and provide its return to compressor's case through the oil level regulator. Oil reservoir prevents liquid circulation to oil level regulators and thanks to it changes in oil flow caused by compressors are immediately prevented. Oil reservoirs must be mounted at a level higher than compressor's case. In case if oil level is lower than level of sight glass on the oil reservoir, please additional oil.

储油器是一种储存罐，它通过油位调节把油分离器的油收集起来提供给压缩机。储油器可以立刻阻止由压缩机内的油流动而引起的油回流到油位平衡器和曲轴箱中。安装储油器时，必须高于压缩机。如果储油器里面的油少于试液镜在储油器上的位置时，请加油。



1. Inlet Connection (3/8" SAE Rotalock Valve)
进口连接 (3/8" 螺口锁定接头阀)
2. Outlet Connection (3/8" SAE Rotalock Valve)
出口连接 (3/8" 螺口锁定接头阀)
3. Check Valve Connection (3/8" SAE)
截止阀接4 - Sight Glass 视液镜



Model 型号	Connection 接口 (inch)	Volume 容积 (L)	Dimensions (mm) 尺寸 (毫米)				
			D	L	S1	S2	L1
BLR/VOR-04038	3/8	4	φ140	290	85	130	290
BLR/VOR-06038	3/8	6	φ160	340	100	150	330
BLR/VOR-08038	3/8	8	φ180	370	110	170	330
BLR/VOR-10038	3/8	10	φ180	450	130	210	410
BLR/VOR-12038	3/8	12	φ220	345	100	155	320
BLR/VOR-14038	3/8	14	φ220	395	110	195	370
BLR/VOR-16038	3/8	16	φ220	465	150	185	440
BLR/VOR-18038	3/8	18	φ220	525	150	235	500
BLR/VOR-20038	3/8	20	φ220	550	150	250	525

Technical Data

Working Pressure [PS]: 33 Bar
 Test Pressure [PT]: 48 Bar
 Allowable Temperature [TS]: Min. - 10°C/ Max.-130°C
 Color [RAL]: 5009
 General Tolerans [mm]: ±3

技术参数

工作压力 [PS]: 33 Bar
 测试压力 [PT]: 48 Bar
 允许温度 [TS]: Min. - 10°C/ Max.-130°C
 颜色 [RAL]: 5009
 常规误差 [mm]: ±3

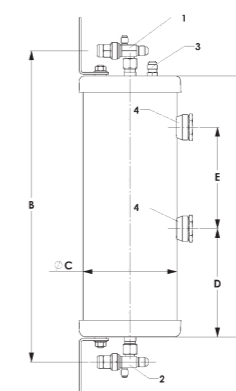


Fig.1

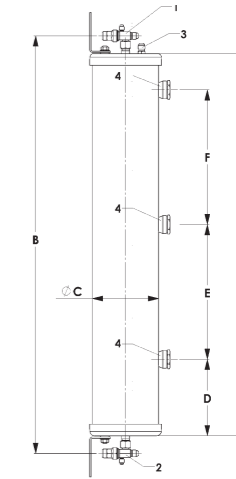


Fig.2

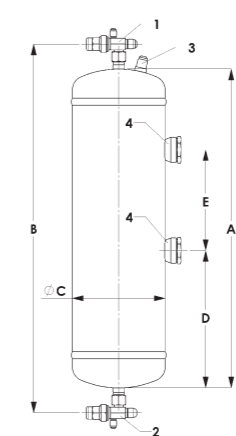


Fig.3

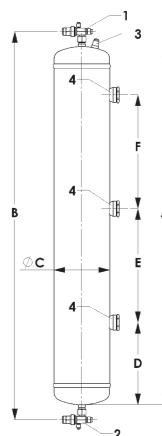


Fig.4

Model 型号	Connection 接口 (inch)	Volume 容积 (L)	Dimension 尺寸 (mm)						Drawing No	Henry Reference Model
			A	B	C	D	E	F		
BLR/S-9109	3/8	6.9	426	507	152	177	165	N/A	Fig.1	S-9109
BLR/SH-9109	3/8	8.2	522	604	152	225	165	N/A	Fig.3	SH-9109
BLR/S-9108U	3/8	10.7	654	735	152	177	394	311	Fig.1	S-9108U
BLR/SH-9108U	3/8	12	751	832	152	225	394	N/A	Fig.3	SH-9108U
BLR/S-9108	3/8	14.5	883	965	152	177	311	N/A	Fig.2	S-9108
BLR/SH-9108	3/8	15.8	980	1061	152	225	311	311	Fig.4	SH-9108

BLR/HOR卧式储油器 & BLR/ODCV油压差止回阀

BLR/HOR Horizontal Oil Reservoir & BLR/ODCV Oil Differential Check Valve



Model 型号	Volume 容积 (L)	Dimensions 尺寸 (mm)				
		L	L1	A	C	D
BLR/VORC-04038	3.8	290	290	85	130	140
BLR/VORC-06038	6	338	150	94	150	165
BLR/VORC-08038	8	438	220	100	220	165
BLR/VORC-10038	10	548	285	131	285	165
BLR/VORC-12038	12	638	360	139	360	165
BLR/VORC-14038	14	738	550	110	518	165
BLR/VORC-15012	15	800	400	200	400	165
BLR/VORC-18058	18	580	300	140	300	219
BLR/VORC-22058	22	700	420	140	420	219
BLR/VORC-30078	30	590	310	140	310	273
BLR/VORC-47118	47	900	600	150	600	273

BLR/HORR Horizontal Oil Reservoir

BLR/HORR 卧式储油器

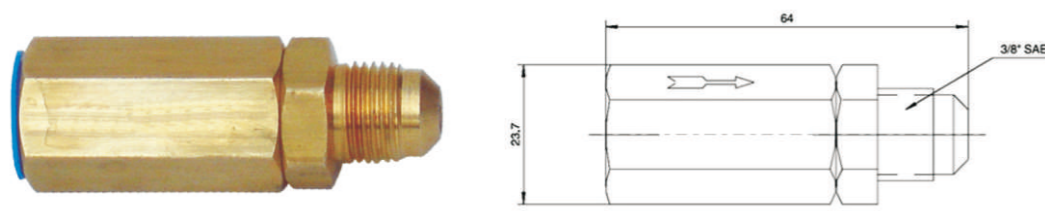


Model 型号	Volume 容积 (L)	Dimensions (mm) 尺寸(毫米)						
		L1	L	A	B	C	D	E
BLR/HORR-10	10	340	548	90	208	145	φ165	70
BLR/HORR-20	20	450	660	130	200	180	φ219	100
BLR/HORR-25	25	590	800	130	270	180	φ219	100

BLR/ODCV Oil Differential Check Valve

BLR/ODCV 油压差止回阀

Model 型号	Connection 接口	Length (mm) 长度	Diameter (mm) 直径	Pressure Differential Initialization 压差设定值		Material 材料
				5 psi	0.35 bar	
BLR/ODCV-5	3/8 SAE	64	23.7	5 psi	0.35 bar	body=brass spring=stainless steel sael=neoprene or PTFE(ODCV-35T)
BLR/ODCV-20	3/8 SAE	64	23.7	20 psi	1.4 bar	
BLR/ODCV-35	3/8 SAE	64	23.7	35 psi	2.4 bar	
BLR/ODCV-35T	3/8 SAE	64	23.7	35 psi	2.4 bar	



BLR/ODCV-20

Oil Filter Drier(Oil Strainer)

油过滤器

General Discription

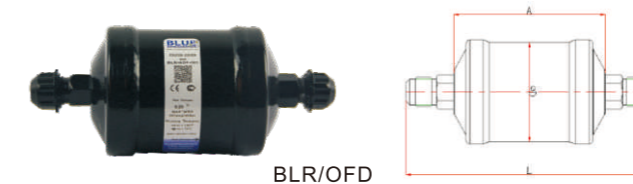
- ◆ Oil filters eliminate dangerous welding cinders and solid contamination in oil level regulators and compressors.
- ◆ Filter inside the system prevents any contamination from entering into oil level regulator, and thus clogging risk of oil level regulator is minimized.
- ◆ Oil filters are used between oil tank and oil level regulator.
- ◆ Oil filters must be mounted vertically with input connection upwards.

Connection Parts:

- ◆ We determined Input and Output connections according to volume of products.
- ◆ Different connection may be used upon request.

Note:

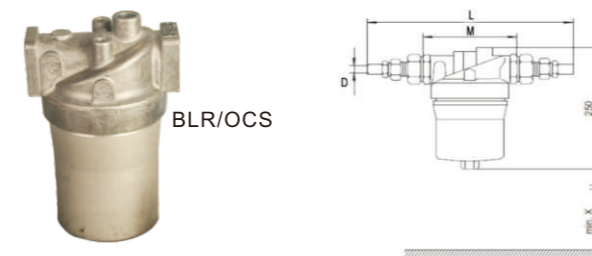
- ◆ Our firm manufactures products of any required diameter, length, and properties according to relevant standards.
- ◆ Different colors may be used upon order qty.
- ◆ Oil Strainers are manufactured in accordance with CE 97/23/EC directive.
- ◆ Please, contact us for further details.



Model 型号	Dimension (mm) 接口尺寸 (毫米)			Connections 接口尺寸	FLOW CAPACITY 制冷量 TONS @ 1 psi □P ①④				
	D	L	A		R-134a	R-22	R-410A	R-407C	R-404A/507
BLR/OFD-052	φ63	124	76	1/4 SAE	2.1	2.3	2.3	2.2	1.5
BLR/OFD-052S	φ63	108	76	1/4 ODF	3.3	3.6	3.6	3.5	2.4
BLR/OFD-053S	φ63	114	76	3/8" ODF	4.4	4.8	4.8	4.7	3.2
BLR/OFD-054S	φ63	118	76	1/2" ODF	4.4	4.8	4.8	4.7	3.2
BLR/OFD-083	φ63	152	97	3/8 SAE	4.0	4.3	4.3	4.3	2.9
BLR/OFD-083S	φ63	135	97	3/8 ODS	4.5	4.9	4.9	4.8	3.3
BLR/OFD-084	φ63	158	97	1/2 SAE	6.7	7.3	7.3	7.1	4.9
BLR/OFD-084S	φ63	139	97	1/2 ODF	7.1	7.7	7.7	7.5	5.1
BLR/OFD-085	φ63	166	97	5/8 SAE	7.1	7.7	7.7	7.5	5.1
BLR/OFD-085S	φ63	142	97	5/8"ODF	7.1	7.7	7.7	7.5	5.1
BLR/OFD-164	φ76	174	115	1/2" SAE	7.2	7.8	7.8	7.7	5.2
BLR/OFD-166S	φ76	170	115	3/4" ODF	15.5	16.8	16.8	16.5	11.2

Technical Data

- Working Pressure [PS]: 33 Bar
 Test Pressure [PT]: 48 Bar
 Allowable Temperature [TS]: Min. - 10°C/ Max.-130°C
 Color [RAL]: 5009
 General Tolerans [mm]: ±5



BLR/OCS

描述

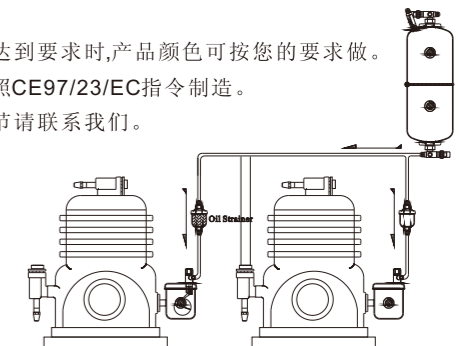
- ◆ 油过滤器用于消除在油位调节器和压缩机危险的焊接残渣和固体污染物。
- ◆ 可以防止系统内部的任何污染物进入油位调节器，从而使堵塞油位调节器的风险最小化。
- ◆ 油过滤器通常安装在油箱油位调节器之间使用。
- ◆ 油过滤器必须垂直安装，与输入连接向上。

联接件产品:

- ◆ 我们根据产品容积，确定进口和出口尺寸。
- ◆ 标准产品使用3/8“焊接口和螺纹接口。
- ◆ 可以根据客户需求，定做不同的接口。

注:

- ◆ 本公司可以根据相关产品标准生产产品所需的直径，长度和性能标准。
- ◆ 当订单数量达到要求时，产品颜色可按您的要求做。
- ◆ 油过滤器按照CE97/23/EC指令制造。
- ◆ 进一步的细节请联系我们。



技术参数

- 工作压力 [PS]: 33 Bar
 测试压力 [PT]: 48 Bar
 允许温度 [TS]: Min. - 10°C/ Max.-130°C
 颜色 [RAL]: 5009
 常规误差 [mm]: ±5

Technical data / 技术参数

- Max Working Pressure : 25Mpa
 Working temp : - 50 ~ 120°C
 Working Medium: mineral oil , emulsion, water, glycol, Phosphate hydraulic fluid, CFC, HFC, HCFC ,R22, R134A, R404A, R507A

- 工作压力(最大): 25MPa
 工作温度: - 50 ~ 120°C
 工作介质: 矿物油、乳化液、水-乙二醇、磷酸酯液、CFC、HFC、HCFC(木桶定型滤纸仅适用于矿物油), R22, R134A, R404A, R507A

品名/Item	型号 / Model	GVN	ESK	EMERSON	SPORLAN	HENRY	
Oil Separator 油分离器	BLR/A-W 55824	OS-1/2	OS-1/2"	A-W55824			
	BLR/A-W 55855	OS-5/8	OS-16	A-W55855			
	BLR/A-W 55877	OS-3/4	OS-22	A-W55877			
	BLR/A-W 55889	OS-7/8	OS-28	A-W55889			
	BLR/A-W 559011	OS-1 1/8	OS-35	A-W559011			
	BLR/A-W 569011	OS-1 3/8	OS-35H	A-W569011			
	BLR/A-W 569213	OS-1 5/8	OS-42H	A-W569213			
	BLR/A-W 569417	OS-2 1/8	OS-54H	A-W569417			
	BLR/A-F 58824			A-F58824			
	BLR/A-F 58855			A-F58855			
	BLR/A-F 58877			A-F58877			
	BLR/A-F 58889			A-F58889			
	BLR/A-F 589011			A-F589011			
	BLR/A-F 579011						
	BLR/A-F 579213			A-F569213			
	BLR/A-F 579417			A-F569417			
HELICAL OIL SEPARATOR 高效油分	BLR/OSH-178	OF/HF-178		A-WC 41777		S-5287-CE	
	BLR/OSH-1118	OF/HF-1118		A-WC 41999		S-5288-CE	
	BLR/OSH-2138	OF/HF-2138		A-WC 6181111		SN-5290-CE	
	BLR/OSH-2158	OF/HF-2158		A-WC 6181313		SN-5292-CE	
	BLR/OSH-2218	OF/HF-2218		A-WC 6181717		SN-5294-CE	
	BLR/OSH-3158	OF/HF-3158		A-FC 8241717		S-5411-CE	
	BLR/OSH-3218	OF/HF-3218		A-FC 8241717H		S-5412-CE	
	BLR/OSH-4258	OF/HF-4258		A-FC 10272121		S-5413-CE	
	BLR/OSH-5318	OF/HF-5318		A-FC 12302525 H		S-5414-CE	
OIL SEPARATOR WITH OIL RESERVOIR 高效油分带储油式	BLR/OSR-178	OF/OR-178				S-5387-6L-CE	
	BLR/OSR-1118	OF/OR-1118				S-5388-6L-CE	
	BLR/OSR-2138	OF/OR-2138				S-5390-CE	
	BLR/OSR-2158	OF/OR-2158				S-5392-CE	
	BLR/OSR-2218	OF/OR-2218				S-5394-CE	
	BLR/OSR-3218	OF/OR-3218				S-5422-CE	
	BLR/OSR-3258	OF/OR-3258				S-5423-CE	
	BLR/OSR-3318	OF/OR-3318				S-5424-CE	
SCEW COMPRESSOR OIL SEPARATOR 螺杆机组二次油分	BLR/OA1954	OS/D-180*2					
	BLR/OA4188	OS/D-400*2					
	BLR/OA9111	OS/D-900*2					
	BLR/OA4111	OS/D-1300*2					
ELECTRONIC OIL LEVEL REGULATOR 电子油位平衡器	BLR/OMB-JB1ASC2		ERM2-O-BC	OMA-JB1	S1A1		
	Oil Level Regulator 油位平衡器 (不可调)	BLR/OLR-01	OLR-01	ORS-0-BC			S-9510
		BLR/OLR-02	OLR-02	OR-0-BC			
		BLR/OLR-03	OLR-03	ORL-OC			
BLR/OLR-04		OLR-04					
Oil Level Regulator 油位平衡器 (可调式)	BLR/OLR-01	OLR/A-01				S-9530	
	BLR/OLR-02	OLR/A-02	ORE2-0-BC				
	BLR/OLR-03	OLR/A-03	OREL-OC				
	BLR/OLR-04	OLR/A-04	ORE2-0-BC-1				
Oil Reservoir 储油器	BLR/VOR-04038	OR-01					
	BLR/VOR-06038	OR-02	OSA-6			S-9109	
	BLR/VOR-08038		OSA-11	AOR-2	POR-2		
	BLR/VOR-10038	OR-03					
	BLR/VOR-12038			AOR-3	POR-3		
	BLR/VOR-14012	OR-04	OSA-15	AOR-4	POR-4		
	BLR/VOR-18012	OR-05	OSA18				
	BLR/VOR20012		OSA-32				
BLR/VOR-23012	OR-06						

品名/Item	型号 / Model	CASTEL	BITZER	CARLY	WTK	ONDA	Airmender
Oil Separator 油分离器	BLR/A-W 55824	5540/4					S-4004
	BLR/A-W 55855	5540/5					S-4005
	BLR/A-W 55877	5540/7					S-4007
	BLR/A-W 55889	5540/9					S-4011
	BLR/A-W 559011	5540/11					S-4013
	BLR/A-W 569011						S-6013
	BLR/A-W 569213	5540/13					S-6015
	BLR/A-W 569417	5540/17					S-6021
	BLR/A-F 58824						S-4004F
	BLR/A-F 58855						S-4005F
	BLR/A-F 58877						S-4007F
	BLR/A-F 58889						S-4011F
	BLR/A-F 589011						S-4013F
	BLR/A-F 579011						S-6013F
	BLR/A-F 579213						S-6015F
	BLR/A-F 579417						S-6021F
HELICAL OIL SEPARATOR 高效油分	BLR/OSH-178						
	BLR/OSH-1118			TURBOIL-F 3011 S/MMS			
	BLR/OSH-2138			TURBOIL-F 8013 S			
	BLR/OSH-2158						
	BLR/OSH-2218						
	BLR/OSH-3158						
	BLR/OSH-3218						
	BLR/OSH-4258						
BLR/OSH-5318							
OIL SEPARATOR WITH OIL RESERVOIR 高效油分带储油式	BLR/OSR-178			TURBOIL-R 23007 S			
	BLR/OSR-1118			TURBOIL-R 23009 S			
	BLR/OSR-2138						
	BLR/OSR-2158						
	BLR/OSR-2218						
	BLR/OSR-3218				TURBOIL-R 815017 S/MMS		
BLR/OSR-3258							
BLR/OSR-3318							
SCEW COMPRESSOR OIL SEPARATOR 螺杆机组二次油分	BLR/OA1954		OA1954		RS180	OVS 170/2	
	BLR/OA4188		OA4188		RS400	OVS 310/2	
	BLR/OA9111		OA9111		RS900	OVS 470/2	
	BLR/OA4111		OA14111		RS1300		
ELECTRONIC OIL LEVEL REGULATOR 电子油位平衡器	BLR/OMB-JB1ASC2						
	Oil Level Regulator 油位平衡器 (不可调)	BLR/OLR-01	5640/A				
BLR/OLR-02		5640/B					
BLR/OLR-03		5640/C					
BLR/OLR-04		5640/D					
Oil Level Regulator 油位平衡器 (可调式)	BLR/OLRA-01						
	BLR/OLRA-02						
	BLR/OLRA-03						
	BLR/OLRA-04						
Oil Reservoir 储油器	BLR/VOR-04038						
	BLR/VOR-06038						OR-6206
	BLR/VOR-08038	5740/2G		HCYR80			OR-6208
	BLR/VOR-10038						OR-6210
	BLR/VOR-12038	5740/3G		HCYR120			
	BLR/VOR-14012	5740/4G		HCYR150			OR-6314
	BLR/VOR-18012						
	BLR/VOR20012			HCYR200			OR-8220
BLR/VOR-23012							
Oil Filter Drier 油过滤器	BLR/OFD-052						
	BLR/OFD-052S	4520/2					
	BLR/OFD-053S	4520/M10					
	BLR/OFD-054S	4520/M12					
	BLR/OFD-083	4510/3		HCYF83			
	BLR/OFD-083S	4520/3					
	BLR/OFD-084			HCYF84			
	BLR/OFD-084S	4520/4					
	BLR/OFD-085S	4520/5					
	BLR/OFD-164	4510/4					
BLR/OFD-166S	4520/M18						