

SEMI-HERMETIC RECIPROCATING COMPRESSOR

致力于成为世界级品牌压缩机制造商

To Be Reliable World-Class Well-Known Compressor Manufacturer



致力于成为世界级品牌压缩机制造商

To Be Reliable World-Class Well-Known Compressor Manufacturer

Company Introduction

REFSCREW COMPRESSOR TECHNOLOGY CO., LTD. is a technical private enterprise specialized in researching into designing, producing and marketing of semi-hermetic refrigeration compressor and units. It has a perfect technical team and 17 years' experience in compressor manufacturing. We are committed to providing semi-hermetic reciprocating compressors, screw compressors, condensing units, cold storage and engineering solutions in the field of commercial and industrial refrigeration. Our products are widely used in the food fresh keeping, commercial refrigeration, chemical, pharmaceutical and agriculture, and serve the manufacturing industry in many countries.

Refscrew has a leading level of refrigeration equipment manufacturing base and a nationwide marketing network. The company's main production equipment for Japan "OKUMA" horizontal machining center and CNC lathe, vertical lifting milling machine, compressor full performance testing center and other advanced equipment. Refscrew team aims to provide the world's most advanced refrigeration compressors, and constantly improve the product development, production management, sales network and after-sales service capabilities. After many years of deep ploughing, Refscrew compressors have excellent performance in service life, energy efficiency ratio and mechanical noise. It has obtained the National Compulsory Products CCC Certification, the National Industrial Products Manufacture License, and the ISO9001:2008 International Quality Supervision System Certification.

Refscrew is continuously importing talented people, advanced technologies and managing ideas with a positive posture to conduct the innovation and improve the quality. With the expansion of the scale of the enterprise, the producing capacity will be further released and more qualified products will be supplied to the market. The rule of "no defect, no complain" is the pursuit of every employee. We will, as always, carry out wide cooperation and advance together hand in hand with vast old and new friends from all walks of life for the purpose of jointly creating a splendid tomorrow!



Facilities & Equipments

The enterprise owns a leading manufacturing base, advanced technologies and precise equipments and facilities, including a factory of 15000 square meters,a modernized processing department with CNC precess centers andhorizontal boring machines, two automatic compressor and condensing unit manufacturing lines and a properties testing center. The enterprise owns a complete capability of manufacturing and testing to ensure the perfect performance of every product, and shows its comprehension on brand which means to make every employee and distributor be products and service it provides.

RefScrew Machining Center >>>



COMPANY >>> CULTURE

Company Purpose:

Strive for Excellence
Create for Perfection

Company Spirit:

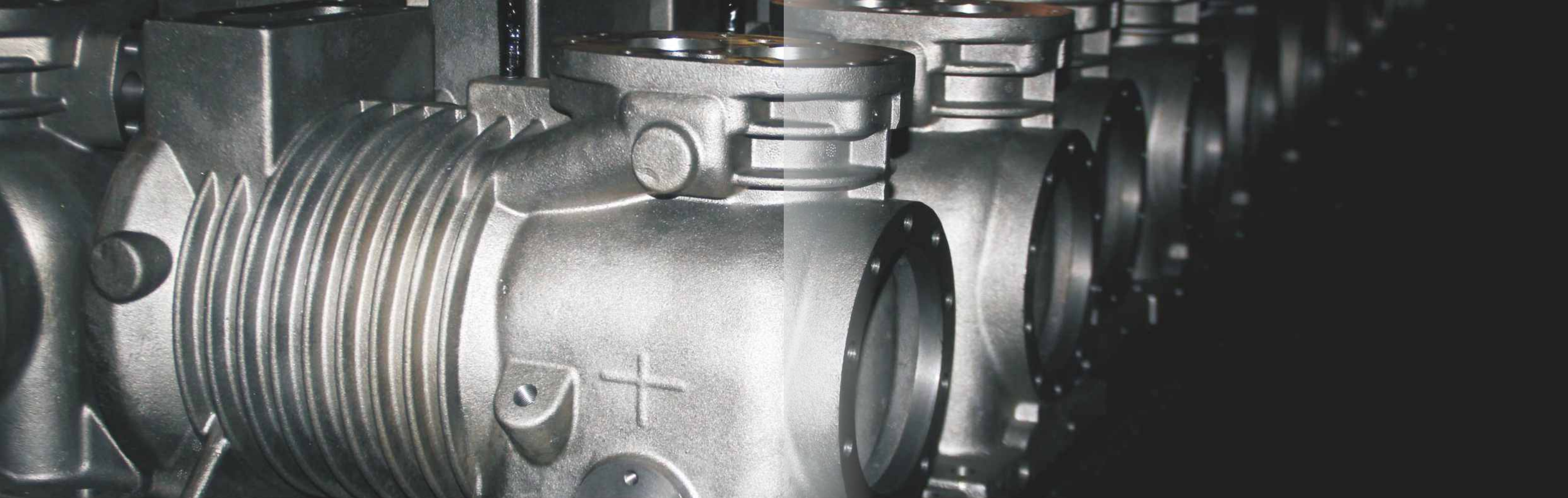
Quality
Innovation

Company Running:

Rigor & Efficiency
Continuous Improvement

Company Philosophy:

Honesty & Trustworthiness
Cooperation with mutual benefit



| | | |
|----------|-------------------------|-------|
| 1 | Company Introduction | 01-02 |
| | Facilities & Equipments | 03-04 |
| | Company Culture | 05-06 |

| | | |
|----------|----------------------------------|-------|
| 2 | Product Overview | 07 |
| | Explanation of Model Designation | 07 |
| | Application limits | 09-10 |
| | Product Features | 11-12 |

| | | |
|----------|-------------------------------------|----|
| 3 | Technical Data | |
| | RFS Semi-hermetic Compressor Series | 13 |
| | RFS 2-Stage Compressor Series | 13 |

| | | |
|----------|-------------------------|-------|
| 4 | Performance Data | |
| | R22 | 14-17 |
| | R404A/R507A | 18-21 |

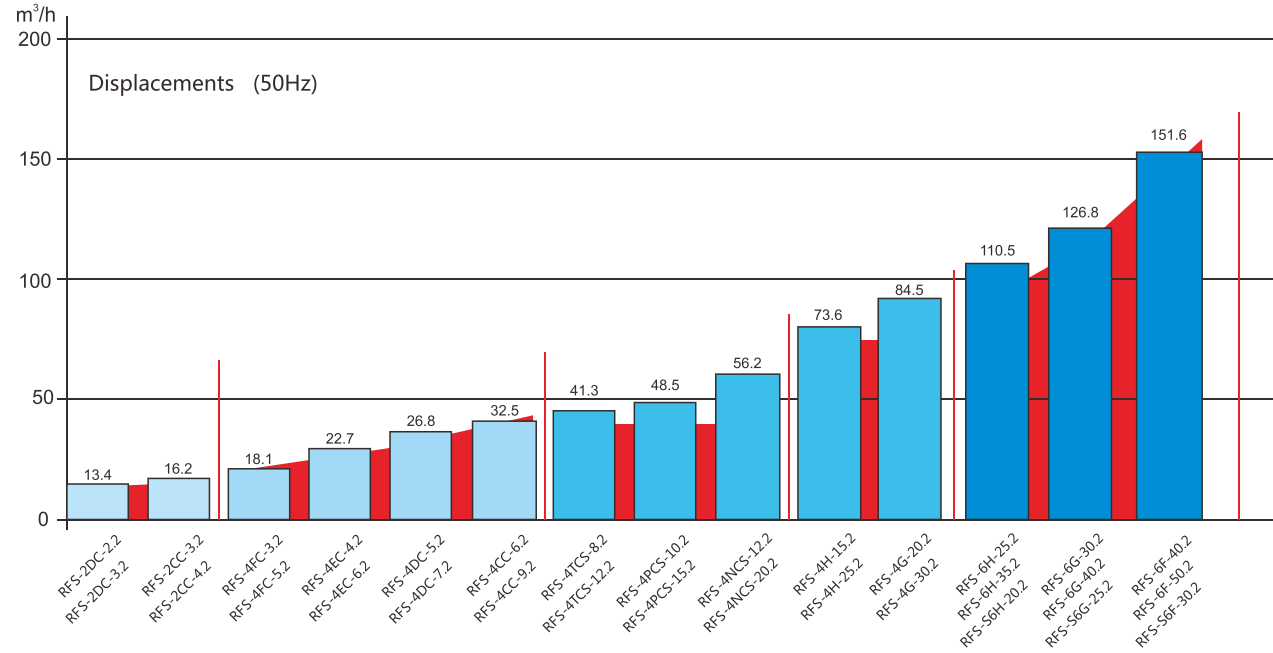
| | | |
|----------|-----------------------------|----|
| 5 | Dimensional Drawings | |
| | RFS-2DC-2.2~RFS-2CC-4.2 | 22 |
| | RFS-4FC-3.2~RFS-4CC-9.2 | 23 |
| | RFS-4VCS-6.2~RFS-4NC-20.2 | 24 |
| | RFS-4H-15.2~RFS-6J-22.2 | 25 |
| | RFS-6H-25.2~RFS-6F-50.2 | 26 |
| | RFS-S4G-12.2 | 27 |
| | RFS-S6H-20.2~RFS-S6H-30.2 | 28 |

Product Overview:

Product series:

RefScrew Semi-hermetic
Reciprocating Compressor

| | |
|---------------------------|--------------------------|
| 3-15HP with 2-3 cylinders | 3-9HP with 4 cylinders |
| 15-30HP with 4 cylinders | 8-20HP with 4 cylinders |
| 25-50HP with 6 cylinders | 15-30HP with 4 cylinders |
| 2-4HP with 2 cylinders | 25-50HP with 6 cylinders |



**EXPLANATION OF
MODEL DESIGNATION**

Semi-Hermetic Compressor

RFS-2DC-2.2—RFS-6F-50.2

RFS RefScrew Brand

2 Cylinders

DC Series

2 HP

2 Series code

RFS-S6H-20.2—RFS-S6F-30.2

RFS RefScrew Brand

S 2-Stage

6 Cylinders

H Series

20 HP

2 Series code

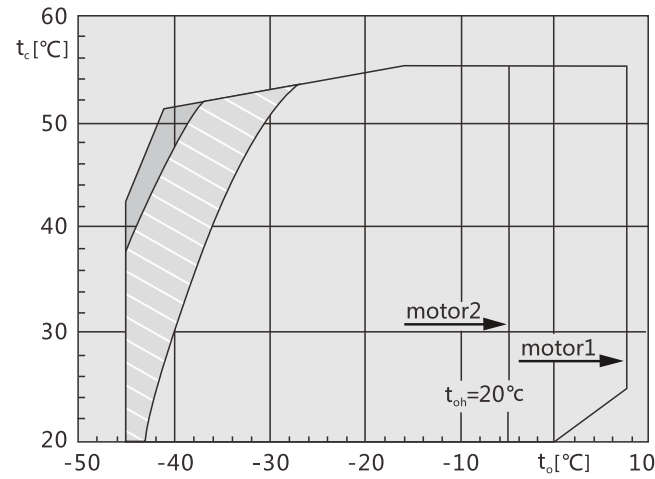


Application Limits

Suction gas temperature 20°C

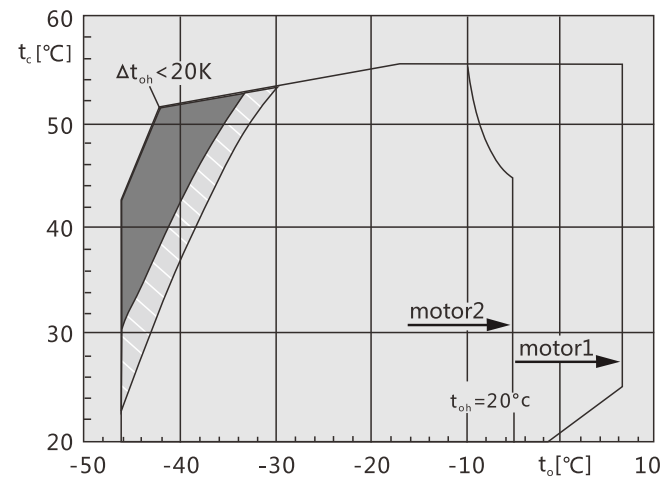
R404A · R507A

RFS-2DC-2.2 RFS-4CC-9.2



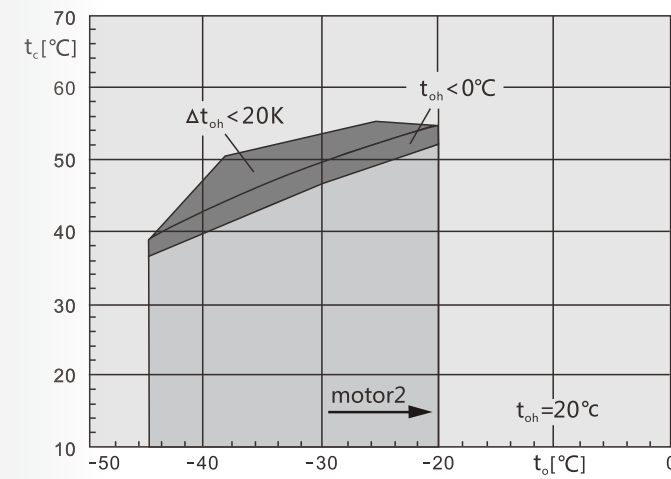
R404A · R507A

RFS-4TCS-8.2-RFS-6F-50.2



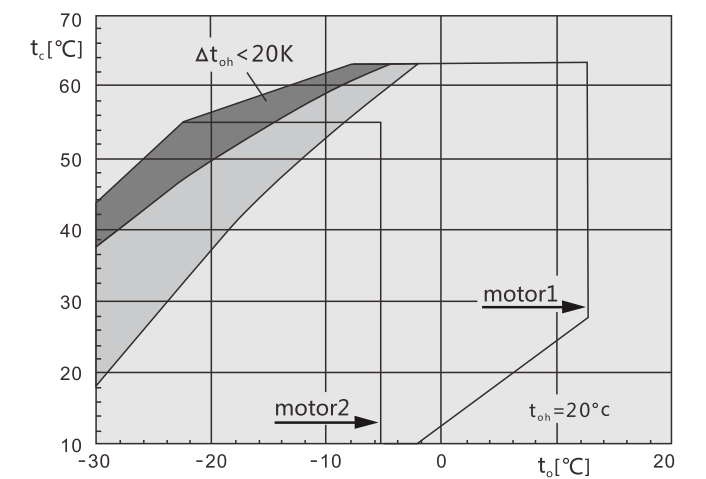
R22

RFS-2DC-2.2-RFS-4DC-5.2

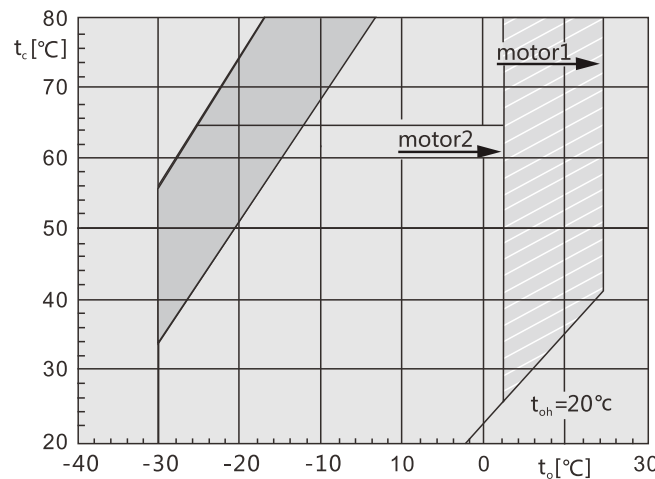


R22

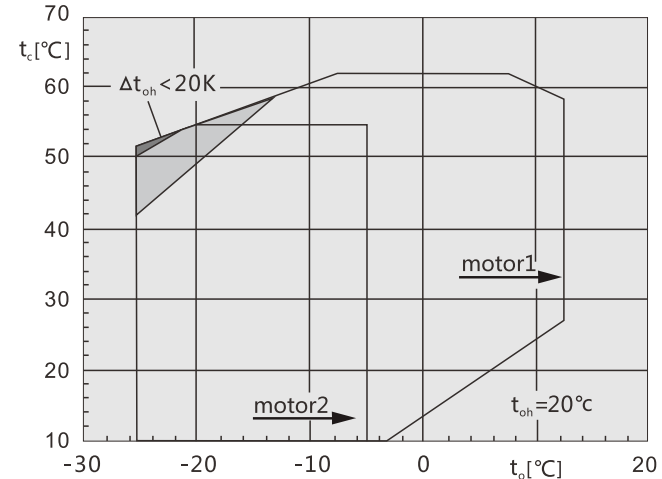
RFS-2DC-2.2-RFS-4CC-9.2



R134a

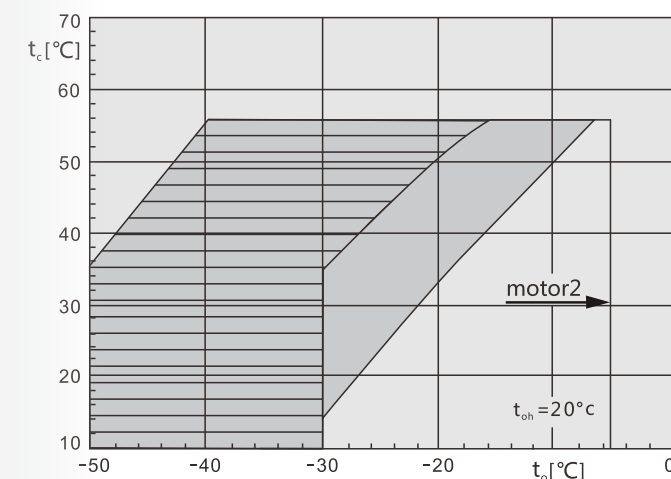


R407C



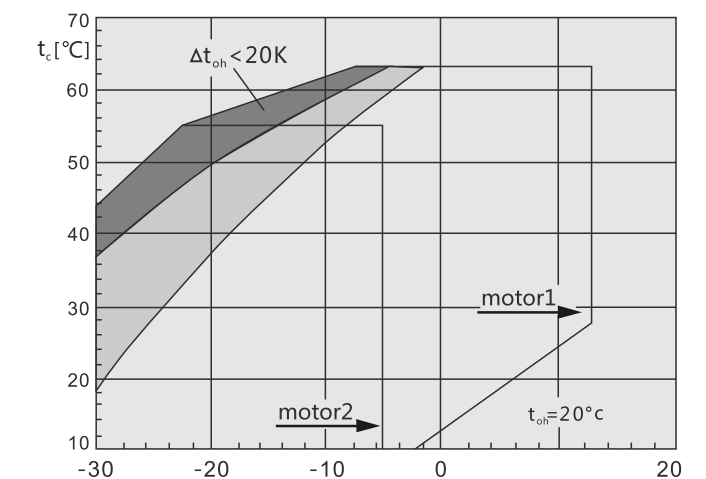
R22

RFS-4TCS-8.2-RFS-6F-40.2



R22

RFS-4TCS-8.2-RFS-6F-40.2



t_o Evaporating temperature(°C)
 t_{oh} Suction gas temperature(°C)
 Δt_{oh} Suction superheat(K)
 t_c Condensing temperature(°C)

Additional cooling or max.0°C suction gas temperature
 Additional cooling
 Additional cooling&limited suction gas temperature
 Suction superheat>10K

t_o Evaporating temperature(°C)
 t_{oh} Suction gas temperature(°C)
 Δt_{oh} Suction superheat(K)
 t_c Condensing temperature(°C)

Additional cooling
 Additional cooling&limited suction gas temperature
 Additional cooling&liquid injection cooling system

Product Features

The compressor of RefScrew suit different working condition and refrigerants, and could maximally satisfy your requirements for the refrigerating system.

1 Environmental protection

- * Suitable for HFC and CFC refrigerants.
- * Imported freezing oil is adopted, which has good chemical and thermal stability and low wax content. It has the characteristics of low pour point, high medium strength, moderate viscosity and no pollution. These can also ensure long-term normal operation of the compressor.

2 Excellent structure

- * Small volume, light weight, balanced operation, low noise.
- * Optimal structural design and mass balance design to ensure high efficiency and low energy consumption operation.
- * High performance & low friction sliding bearing design to ensure smooth operation.

3 Energy efficient

- * Unique oil lubrication oil return system design to ensure high cooling capacity and minimum energy consumption.
- * The compressor is equipped with a unique air flow channel balancing device, which has the dual utility of balancing the internal air pressure and oil separation, so as to ensure the minimum oil discharge during the compressor starting and running.

4 Security and stability

- * High performance large capacity motor design, the motor has a strong anti overload ability.
- * Insulation class: F.
- * Motor protection using imported PTC thermistor and electronic protection device, effectively prevent the motor due to poor cooling, rotor blocking, frequent start, power phase imbalance caused by high temperature, burning phenomenon.
- * The compressor is tested by advanced full-performance testing equipment, and the product is stable and reliable.

SEMI-HERMETIC COMPRESSOR

Technical Date

50Hz/60Hz

| Model | Nominal Power (HP/KW) | Machinery Parameter | | | Electrical Parameter | | | Power Supply (V/Hz/ψ) |
|---------------|-----------------------|---------------------|---------------|----------------------------------|-------------------------|--------------------------|-----------------------------------|--|
| | | Number of Cylinder | Diameter (mm) | Displacement (m³/h) 50Hz/60Hz | Max Operating Current A | Max Power Consumption KW | Starting Current Plugging Turn(A) | |
| RFS-2DC-2.2 | 2/1.5 | 2 | 39.3 | 13.4/16.2 | 6.9 | 3.9 | 30.7 | 220~240/3/50Hz 380~420/3/50Hz 265~290/3/60Hz 440~480/3/60Hz |
| RFS-2CC-3.2 | 3/2.2 | 2 | 39.3 | 16.2/19.6 | 7.8 | 4.5 | 37 | |
| RFS-2DC-3.2 | 3/2.2 | 2 | 39.3 | 13.4/16.2 | 8.5 | 5.0 | 37 | |
| RFS-2CC-4.2 | 4/3 | 2 | 39.3 | 16.2/19.6 | 9.4 | 5.6 | 44.2 | |
| RFS-4FC-3.2 | 3/2.2 | 4 | 39.3 | 18.1/21.8 | 9.2 | 5.4 | 42.5 | 380~420V Y /3/50Hz 440~480V Y /3/60Hz |
| RFS-4FC-5.2 | 5/3.7 | 4 | 41 | 18.1/21.8 | 10.8 | 6.2 | 63 | |
| RFS-4EC-4.2 | 4/3.0 | 4 | 46 | 22.7/27.4 | 10.7 | 6.4 | 47 | |
| RFS-4EC-6.2 | 6/3.7 | 4 | 46 | 22.7/27.4 | 13.2 | 7.9 | 63 | |
| RFS-4DC-5.2 | 5/3.7 | 4 | 50 | 26.8/32.4 | 13.5 | 8.1 | 63 | |
| RFS-4DC-7.2 | 7/4.5 | 4 | 50 | 26.8/32.4 | 15.9 | 9.1 | 70 | |
| RFS-4CC-6.2 | 6/4.5 | 4 | 55 | 32.5/39.2 | 15.9 | 9.1 | 74 | |
| RFS-4CC-9.2 | 9/5.6 | 4 | 55 | 32.5/39.2 | 20 | 11.6 | 82 | |
| RFS-4VCS-6.2 | 6/5.5 | 4 | 55 | 34.7/41.6 | 14 | 8.1 | 39/68 | |
| RFS-4VCS-10.2 | 10/7.4 | 4 | 55 | 34.7/41.9 | 21 | 11.3 | 59/99 | |
| RFS-4TCS-8.2 | 8/5.5 | 4 | 60 | 41.3/49.9 | 17 | 9.4 | 49/81 | |
| RFS-4TCS-12.2 | 12/9.3 | 4 | 60 | 41.3/49.9 | 24 | 13.8 | 69/113 | |
| RFS-4PCS-10.2 | 10/7.4 | 4 | 65 | 48.5/58.5 | 21 | 11.7 | 59/99 | |
| RFS-4PCS-15.2 | 15/11.0 | 4 | 65 | 48.5/58.5 | 31 | 16.3 | 81/132 | |
| RFS-4NCS-12.2 | 12/9.3 | 4 | 70 | 56.2/67.9 | 24 | 14.1 | 69/113 | |
| RFS-4NCS-20.2 | 20/15.0 | 4 | 70 | 56.2/67.9 | 37 | 19.5 | 97/158 | |
| RFS-4H-15.2 | 15/11.0 | 4 | 70 | 73.6/88.8 | 31 | 18.1 | 81/132 | 380~420V YY /3/50Hz 440~480V YY /3/60Hz |
| RFS-4H-25.2 | 25/19.0 | 4 | 70 | 73.6/88.8 | 45 | 24.9 | 116/193 | |
| RFS-4G-20.2 | 20/15.0 | 4 | 75 | 84.5/102 | 37 | 21.5 | 97/158 | |
| RFS-4G-30.2 | 30/22.0 | 4 | 75 | 84.5/102 | 53 | 30.1 | 135/220 | |
| RFS-6J-22.2 | 25/19.0 | 4 | 82 | 101.1/115.5 | 45 | 27.2 | 116/193 | |
| RFS-6H-25.2 | 25/19.0 | 6 | 70 | 110.5/133.4 | 45 | 27.2 | 116/193 | |
| RFS-6H-35.2 | 35/26.0 | 6 | 70 | 110.5/133.4 | 61 | 37.4 | 147/262 | |
| RFS-6G-30.2 | 30/22.0 | 6 | 75 | 126.8/153.0 | 53 | 31.9 | 135/220 | |
| RFS-6G-40.2 | 40/30.0 | 6 | 75 | 126.8/153.0 | 78 | 45.1 | 180/323 | |
| RFS-6F-40.2 | 40/30.0 | 6 | 82 | 151.6/183.7 | 78 | 38.6 | 180/323 | |
| RFS-6F-50.2 | 50/37.0 | 6 | 82 | 151.6/183.7 | 92 | 53.2 | 226/404 | |

RFS 2-Stage Compressor Series

| Model | Nominal Power (HP/KW) | Number of Cylinder | Machinery Parameter | | Electrical Parameter | | | Power Supply (V/Hz/ψ) |
|--------------|-----------------------|--------------------|---------------------|---------------------------------|-------------------------|--------------------------|-----------------------------------|--|
| | | | Diameter (mm) | Displacement (m³/h) Low High | Max Operating Current A | Max Power Consumption KW | Starting Current Plugging Turn(A) | |
| RFS-S4G-12.2 | 12/9.3 | 4 | 75 | 42.3 27.0 | 24 | 13.8 | 69/113 | 380~420V YY/3/50Hz 440~480V YY/3/60Hz |
| RFS-S6H-20.2 | 20/15.0 | 6 | 70 | 73.6 36.9 | 37 | 21.5 | 97/158 | |
| RFS-S6G-25.2 | 25/19.0 | 6 | 75 | 84.5 42.3 | 45 | 24.9 | 116/193 | |
| RFS-S6F-30.2 | 30/22.0 | 6 | 82 | 101.1 50.5 | 53 | 30.1 | 135/220 | |

Cooling Capacity

R22

50Hz

| Model | Condensing Temperature °C | ↓ | Refrigerating Capacity Qo(watt) | | | | | | Power Consumption Pe(kW) | | | | | | | | |
|-------------|---------------------------|---|---------------------------------|----|-----|---|-------|-------|--------------------------|-------|-------|-------|-------|-------|------|------|------|
| | | | Evaporating Temperature °C | | | | | | | | | | | | | | |
| | | | 12.5 | 10 | 7.5 | 5 | 0 | -5 | -10 | -15 | -20 | -25 | -30 | -35 | -40 | | |
| RFS-2DC-2.2 | 30 | Q | | | | | 9110 | 7430 | 5980 | 5150 | 4030 | 3100 | 2330 | 1700 | | | |
| | | P | | | | | 2.42 | 2.29 | 2.14 | 2.02 | 1.82 | 1.62 | 1.43 | 1.24 | | | |
| | | | | | | | 7970 | 6430 | 5110 | 4370 | 3370 | 2550 | 1870 | 1330 | | | |
| RFS-2CC-3.2 | 40 | Q | | | | | 2.77 | 2.57 | 2.35 | 2.22 | 1.97 | 1.73 | 1.49 | 1.26 | | | |
| | | P | | | | | 6790 | 5400 | 4200 | 3520 | 2660 | 1960 | 1390 | | | | |
| | | | | | | | 3.08 | 2.80 | 2.53 | 2.40 | 2.09 | 1.80 | 1.54 | | | | |
| RFS-2DC-3.2 | 50 | Q | | | | | 11350 | 9290 | 7500 | 6390 | 5040 | 3890 | 2940 | 2160 | | | |
| | | P | | | | | 2.85 | 2.74 | 2.56 | 2.40 | 2.15 | 1.91 | 1.71 | 1.49 | | | |
| | | | | | | | 9880 | 8010 | 6380 | 5400 | 4160 | 3140 | 2290 | 1600 | | | |
| RFS-2CC-4.2 | 40 | Q | | | | | 3.32 | 3.07 | 2.79 | 2.56 | 2.27 | 2.01 | 1.74 | 1.47 | | | |
| | | P | | | | | 8370 | 6680 | 5230 | 4450 | 3340 | 2430 | 1680 | | | | |
| | | | | | | | 3.73 | 3.39 | 3.04 | 2.79 | 2.46 | 2.19 | 1.91 | | | | |
| RFS-2DC-3.2 | 50 | Q | | | | | 17280 | 15860 | 14630 | 13290 | 11060 | 9120 | 7440 | 5990 | 4740 | | |
| | | P | | | | | 2.01 | 2.14 | 2.24 | 2.31 | 2.36 | 2.33 | 2.24 | 2.09 | 1.92 | 1.74 | 1.58 |
| | | | | | | | 15400 | 14110 | 12910 | 11780 | 9750 | 7980 | 6450 | 5120 | 3970 | 3000 | 2160 |
| RFS-2CC-4.2 | 40 | Q | | | | | 2.89 | 2.92 | 2.93 | 2.92 | 2.84 | 2.69 | 2.50 | 2.28 | 2.06 | 1.86 | 1.70 |
| | | P | | | | | 13490 | 12320 | 11230 | 10220 | 8380 | 6780 | 5390 | 4190 | 3160 | 2270 | |
| | | | | | | | 3.64 | 3.59 | 3.52 | 3.44 | 3.23 | 2.98 | 2.72 | 2.45 | 2.20 | 2.00 | |
| RFS-2DC-3.2 | 50 | Q | | | | | 21400 | 19650 | 18020 | 16490 | 13750 | 11360 | 9290 | 7510 | 5970 | 4660 | 3550 |
| | | P | | | | | 2.48 | 2.63 | 2.74 | 2.83 | 2.91 | 2.88 | 2.78 | 2.61 | 2.40 | 2.17 | 1.93 |
| | | | | | | | 18960 | 17380 | 15910 | 14540 | 12050 | 9890 | 8020 | 6390 | 5000 | 3800 | 2780 |
| RFS-2CC-4.2 | 40 | Q | | | | | 3.67 | 3.69 | 3.68 | 3.64 | 3.51 | 3.31 | 3.06 | 2.79 | 2.51 | 2.24 | 2.01 |
| | | P | | | | | 16490 | 15080 | 13760 | 12520 | 10290 | 8350 | 6670 | 5210 | 3960 | 2880 | |
| | | | | | | | 4.61 | 4.51 | 4.4 | 4.27 | 3.99 | 3.67 | 3.33 | 3.01 | 2.72 | 2.47 | |
| RFS-2DC-3.2 | 50 | Q | | | | | 12750 | 10380 | 8310 | 7070 | 5540 | 4260 | 3190 | 2300 | | | |
| | | P | | | | | 3.27 | 3.09 | 2.87 | 2.69 | 2.44 | 2.18 | 1.94 | 1.72 | | | |
| | | | | | | | 11210 | 9030 | 7140 | 6010 | 4650 | 3510 | 2560 | 1790 | | | |
| RFS-2CC-4.2 | 40 | Q | | | | | 3.80 | 3.50 | 3.18 | 2.98 | 2.63 | 2.29 | 1.98 | 1.71 | | | |
| | | P | | | | | 9650 | 7670 | 5950 | 4960 | 3770 | 2770 | 1940 | | | | |
| | | | | | | | 4.24 | 3.84 | 3.44 | 3.27 | 2.89 | 2.53 | 2.14 | | | | |
| RFS-2DC-3.2 | 50 | Q | | | | | 24390 | 22340 | 20490 | 18710 | 15530 | 12770 | 10390 | 8320 | 6550 | 5030 | 3740 |
| | | P | | | | | 2.85 | 2.99 | 3.08 | 3.15 | 3.19 | 3.14 | 3.01 | 2.81 | 2.58 | 2.33 | 2.08 |
| | | | | | | | 21790 | 19950 | 18240 | 16640 | 13740 | 11220 | 9040 | 7150 | 5530 | 4130 | 2950 |
| RFS-2CC-4.2 | 40 | Q | | | | | 4.02 | 4.04 | 4.04 | 4.01 | 3.88 | 3.68 | 3.42 | 3.13 | 2.81 | 2.50 | 2.22 |
| | | P | | | | | 19170 | 17520 | 15970 | 14520 | 11910 | 9640 | 7660 | 5950 | 4480 | 3220 | |
| | | | | | | | 5.03 | 4.96 | 4.86 | 4.74 | 4.47 | 4.14 | 3.78 | 3.41 | 3.04 | 2.68 | |
| RFS-2DC-3.2 | 50 | Q | | | | | 15770 | 12850 | 10350 | 8820 | 6930 | 5340 | 4010 | 2910 | | | |
| | | P | | | | | 3.99 | 3.80 | 3.56 | 3.33 | 3.09 | 2.77 | 2.42 | 2.10 | | | |
| | | | | | | | 13830 | 11170 | 8880 | 7550 | 5860 | 4440 | 3270 | 2300 | | | |
| RFS-2CC-4.2 | 40 | Q | | | | | 4.62 | 4.30 | 3.94 | 3.68 | 3.34 | 2.96 | 2.56 | 2.18 | | | |
| | | P | | | | | 11850 | 9450 | 7360 | 6160 | 4690 | 3450 | 2420 | | | | |
| | | | | | | | 5.14 | 4.70 | 4 | 4.03 | 3.59 | 3.06 | 2.50 | | | | |
| RFS-2DC-3.2 | 50 | Q | | | | | 29940 | 27490 | 25190 | 23040 | 19150 | 15790 | 12870 | 10360 | 8200 | 6350 | 4780 |
| | | P | | | | | 3.45 | 3.66 | 3.81 | 3.92 | 4.00 | 3.93 | 3.75 | 3.49 | 3.19 | 2.87 | 2.59 |
| | | | | | | | 26740 | 24490 | 22390 | 20440 | 16920 | 13850 | 11180 | 8890 | 6910 | 5210 | 3770 |
| RFS-2CC-4.2 | 40 | Q | | | | | 5.00 | 5.06 | 5.06 | 5.03 | 4.85 | 4.58 | 4.24 | 3.86 | 3.48 | 3.14 | 2.85 |
| | | P | | | | | 23440 | 21440 | 19560 | 17800 | 14620 | 11840 | 9440 | 7350 | 5560 | 4020 | |
| | | | | | | | 6.34 | 6.25 | 6.12 | 5.97 | 5.59 | 5.15 | 4.67 | 4.21 | 3.79 | 3.35 | |
| RFS-2DC-3.2 | 50 | Q | | | | | 19130 | 15590 | 12530 | 10300 | 8110 | 6260 | 4690 | 3380 | | | |
| | | P | | | | | 4.79 | 4.53 | 4.23 | 3.95 | 3.64 | 3.29 | 2.93 | 2.56 | | | |
| | | | | | | | 16820 | 13580 | 10800 | 8830 | 6880 | 5220 | 3820 | 2650 | | | |
| RFS-2CC-4.2 | 40 | Q | | | | | 5.59 | 5.17 | 4.72 | 4.37 | 3.94 | 3.51 | 3.07 | 2.63 | | | |
| | | P | | | | | 14470 | 11540 | 9020 | 7280 | 5570 | 4120 | 2920 | | | | |
| | | | | | | | 6.26 | 5.69 | 5.12 | 4.69 | 4.25 | 3.84 | 3.41 | | | | |
| RFS-2DC-3.2 | 50 | Q | | | | | 36380 | 33380 | 30590 | 27990 | 23240 | 19150 | 15600 | 12530 | 9910 | 7670 | 5760 |
| | | P | | | | | 4.23 | 4.39 | 4.51 | 4.59 | 4.65 | 4.58 | 4.42 | 4.17 | 3.87 | 3.53 | 3.17 |
| | | | | | | | 32480 | 29740 | 27190 | 24840 | 20540 | 16820 | 13590 | 10800 | 8400 | 6340 | 4590 |
| RFS-2CC-4.2 | 40 | Q | | | | | 5.86 | 5.89 | 5.89 | 5.85 | 5.69 | 5.43 | 5.09 | 4.69 | 4.26 | 3.82 | 3.38 |
| | | P | | | | | 28490 | 26090 | 23790 | 21690 | 17820 | 14470 | 11550 | 9030 | 6850 | 4970 | |
| | | | | | | | 7.32 | 7.23 | 7.11 | 6.97 | 6.60 | 6.17 | 5.68 | 5.16 | 4.63 | 4.11 | |
| RFS-2DC-3.2 | 50 | Q | | | | | 22940 | 18730 | 15110 | 11990 | 9340 | 7070 | | | | | |
| | | P | | | | | 5.79 | 5.51 | 5.19 | 4.82 | 4.41 | 3.93 | | | | | |
| | | | | | | | 20240 | 16400 | 13080 | 10230 | 7780 | 5700 | | | | | |
| RFS-2CC-4.2 | 40 | Q | | | | | 6.65 | 6.21 | 5.75 | 5.25 | 4.70 | 4.11 | | | | | |
| | | P | | | | | 17500 | 14000 | 10980 | 8390 | 6160 | | | | | | |
| | | | | | | | 7.54 | 6.95 | 6.33 | 5.70 | 5.03 | | | | | | |

NOTE:

Suction temperature 20°C, 50Hz, without liquid subcooling.

When the frequency is 60Hz, the increase of refrigerating capacity is 20%

The compressor should have chilling or restrict suction temperature.

The compressor should have chilling or restrict suction temperature.

The compressor should have chilling and CIC system.

Cooling Capacity

R22

50Hz

| Model | Condensing Temperature °C | ↓ | Refrigerating Capacity Qo(watt) | | | | | | | | | | Power Consumption Pe(kW) | | | | | | | | |
|---------------|---------------------------|---|---------------------------------|-------|-------|-------|-------|-------|-------|-------|-------|-------|--------------------------|------|-----|--|--|--|--|--|--|
| | | | Evaporating Temperature °C | | | | | | | | | | | | | | | | | | |
| | | | 12.5 | 10 | 7.5 | 5 | 0 | -5 | -10 | -15 | -20 | -25 | -30 | -35 | -40 | | | | | | |
| RFS-4CC-9.2 | 30 | Q | 43280 | 39730 | 36430 | 33330 | 27790 | 22940 | 18740 | 15110 | 11990 | 9330 | 7060 | | | | | | | | |
| | | P | 5.53 | 5.72 | 5.85 | 5.93 | 5.95 | 5.81 | 5.56 | 5.21 | 4.79 | 4.36 | 3.95 | | | | | | | | |
| | 40 | Q | 38880 | 35630 | 32580 | 29790 | 24690 | 20240 | 16410 | 13090 | 10240 | 7790 | 5710 | | | | | | | | |
| | | P | 7.49 | 7.46 | 7.40 | 7.30 | 7.04 | 6.67 | 6.24 | 5.75 | 5.23 | 4.68 | 4.15 | | | | | | | | |
| | 50 | Q | 34230 | 31330 | 28640 | 26090 | 21490 | 17490 | 14000 | 10990 | 8380 | 6150 | | | | | | | | | |
| | | P | 9.32 | 9.10 | 8.86 | 8.61 | 8.10 | 7.54 | 6.96 | 6.33 | 5.69 | 5.02 | | | | | | | | | |
| RFS-4VCS-6.2 | 30 | Q | | | | | 25140 | 20590 | 16700 | 13340 | 10480 | 8010 | 5940 | 4210 | | | | | | | |
| | | P | | | | | 5.99 | 5.66 | 5.27 | 4.81 | 4.31 | 3.8 | 3.25 | 2.68 | | | | | | | |
| | 40 | Q | | | | | 22190 | 18130 | 14610 | 11590 | 9010 | 6730 | 4850 | 3280 | | | | | | | |
| | | P | | | | | 6.93 | 6.41 | 5.86 | 5.27 | 4.65 | 4.08 | 3.42 | 2.7 | | | | | | | |
| | 50 | Q | | | | | 19200 | 15600 | 12480 | 9660 | 7320 | 5340 | 3670 | 2280 | | | | | | | |
| | | P | | | | | 7.78 | 7.10 | 6.37 | 5.66 | 4.92 | 4.15 | 3.35 | 2.5 | | | | | | | |
| RFS-4VCS-10.2 | 30 | Q | 47680 | 43780 | 40130 | 36730 | 30590 | 25240 | 20640 | 16620 | 13160 | 10220 | 7700 | | | | | | | | |
| | | P | 5.76 | 5.87 | 5.94 | 5.97 | 5.95 | 5.80 | 5.55 | 5.19 | 4.75 | 4.23 | 3.66 | | | | | | | | |
| | 40 | Q | 42230 | 38730 | 35480 | 32480 | 26990 | 22240 | 18100 | 14520 | 11430 | 8800 | 6540 | | | | | | | | |
| | | P | 7.45 | 7.42 | 7.36 | 7.27 | 7.01 | 6.64 | 6.20 | 5.69 | 5.13 | 4.50 | 3.86 | | | | | | | | |
| | 50 | Q | 36880 | 33780 | 30940 | 28240 | 23390 | 19190 | 15530 | 12370 | 9660 | 7340 | | | | | | | | | |
| | | P | 9.04 | 8.87 | 8.69 | 8.48 | 8.01 | 7.47 | 6.85 | 6.19 | 5.49 | 4.75 | | | | | | | | | |
| RFS-4TCS-8.2 | 30 | Q | | | | | 30690 | 25190 | 20440 | 16360 | 12870 | 9830 | 7320 | 5220 | | | | | | | |
| | | P | | | | | 7.34 | 6.95 | 6.47 | 5.92 | 5.32 | 4.68 | 4.03 | 3.37 | | | | | | | |
| | 40 | Q | | | | | 27090 | 22140 | 17830 | 14140 | 11000 | 8200 | 5920 | 4010 | | | | | | | |
| | | P | | | | | 8.43 | 7.81 | 7.15 | 6.45 | 5.73 | 5.09 | 4.33 | 3.53 | | | | | | | |
| | 50 | Q | | | | | 23440 | 19040 | 15240 | 11870 | 9050 | 6640 | 4610 | 2910 | | | | | | | |
| | | P | | | | | 9.45 | 8.62 | 7.77 | 6.94 | 6.12 | 5.28 | 4.39 | 3.45 | | | | | | | |
| RFS-4TCS-12.2 | 30 | Q | 57070 | 52370 | 48080 | 43980 | 36680 | 30350 | 24790 | 20040 | 15920 | 12400 | 9410 | | | | | | | | |
| | | P | 6.94 | 7.08 | 7.17 | 7.22 | 7.21 | 7.04 | 6.73 | 6.31 | 5.79 | 5.18 | 4.48 | | | | | | | | |
| | 40 | Q | 50780 | 46630 | 42730 | 39080 | 32530 | 26790 | 21840 | 17540 | 13840 | 10680 | 7980 | | | | | | | | |
| | | P | 9.12 | 9.08 | 9.00 | 8.88 | 8.56 | 8.13 | 7.60 | 6.99 | 6.30 | 5.58 | 4.81 | | | | | | | | |
| | 50 | Q | 44380 | 40680 | 37230 | 34030 | 28190 | 23140 | 18760 | 14970 | 11720 | 8950 | | | | | | | | | |
| | | P | 11.13 | 10.92 | 10.69 | 10.43 | 9.85 | 9.18 | 8.43 | 7.63 | 6.77 | 5.89 | | | | | | | | | |
| RFS-4PCS-10.2 | 30 | Q | | | | | 35630 | 29240 | 23690 | 18930 | 14850 | 11320 | 8390 | 5920 | | | | | | | |
| | | P | | | | | 8.48 | 8.07 | 7.53 | 6.89 | 6.17 | 5.49 | 4.72 | 3.98 | | | | | | | |
| | 40 | Q | | | | | 31430 | 25690 | 20690 | 16380 | 12700 | 9500 | 6850 | 4630 | | | | | | | |
| | | P | | | | | 9.79 | 9.08 | 8.29 | 7.46 | 6.59 | 5.71 | 4.85 | 4.04 | | | | | | | |
| | 50 | Q | | | | | 27290 | 22140 | 17690 | 13790 | 10510 | 7700 | 5330 | 3350 | | | | | | | |
| | | P | | | | | 10.98 | 9.99 | 8.98 | 7.99 | 6.95 | 5.92 | 4.96 | 4.06 | | | | | | | |
| RFS-4PCS-15.2 | 30 | Q | 68370 | 62770 | 57570 | 52670 | 43780 | 36130 | 29490 | 23740 | 18800 | 14580 | 11000 | | | | | | | | |
| | | P | 8.37 | 8.49 | 8.56 | 8.58 | 8.49 | 8.24 | 7.85 | 7.32 | 6.68 | 5.96 | 5.17 | | | | | | | | |
| | 40 | Q | 60870 | 55870 | 51170 | 46780 | 38830 | 31930 | 25990 | 20790 | 16350 | 12540 | 9320 | | | | | | | | |
| | | P | 10.70 | 10.62 | 10.50 | 10.34 | 9.93 | 9.40 | 8.76 | 8.04 | 7.25 | 6.39 | 5.52 | | | | | | | | |
| | 50 | Q | 53273 | 48880 | 44680 | 40780 | 33780 | 27690 | 22390 | 17850 | 13930 | 10610 | | | | | | | | | |
| | | P | 12.92 | 12.64 | 12.33 | 12.00 | 11.29 | 10.50 | 9.65 | 8.74 | 7.78 | 6.76 | | | | | | | | | |
| RFS-4NCS-12.2 | 30 | Q | | | | | 41130 | 33730 | 27390 | 21890 | 17200 | 12890 | 9600 | 6760 | | | | | | | |
| | | P | | | | | 10.06 | 9.51 | 8.83 | 8.06 | 7.20 | 6.32 | 5.44 | 4.57 | | | | | | | |
| | 40 | Q | | | | | 36630 | 29940 | 24140 | 19160 | 14900 | 11040 | 7960 | 5400 | | | | | | | |
| | | P | | | | | 11.52 | 10.65 | 9.71 | 8.70 | 7.68 | 6.69 | 5.70 | 4.77 | | | | | | | |
| | 50 | Q | | | | | 32030 | 26040 | 20840 | 16140 | 12270 | 8980 | 6200 | 3880 | | | | | | | |
| | | P | | | | | 12.83 | 11.69 | 10.48 | 9.32 | 8.13 | 6.98 | 5.87 | 4.83 | | | | | | | |
| RFS-4NCS-20.2 | 30 | Q | 79060 | 72560 | 66570 | 60970 | 50780 | 41880 | 34230 | 27590 | 21890 | 16970 | 12800 | | | | | | | | |
| | | P | 10.65 | 10.67 | 10.64 | 10.58 | 10.34 | 9.97 | 9.46 | 8.81 | 8.06 | 7.19 | 6.21 | | | | | | | | |
| | 40 | Q | 70570 | 64770 | 59270 | 54170 | 44980 | 36980 | 30090 | 24090 | 18910 | 14490 | 10750 | | | | | | | | |
| | | P | 13.22 | 13.09 | 12.91 | 12.69 | 12.12 | 11.40 | 10.56 | 9.63 | 8.63 | 7.58 | 6.51 | | | | | | | | |
| | 50 | Q | 61870 | 56670 | 51870 | 47380 | 39230 | 32130 | 25990 | 20640 | 16040 | 12120 | | | | | | | | | |
| | | P | 15.82 | 15.48 | 15.09 | 14.66 | 13.72 | 12.66 | 11.52 | 10.31 | 9.07 | 7.82 | | | | | | | | | |
| RFS-4H-15.2 | 30 | Q | | | | | 52270 | 42680 | 34430 | 27340 | 21290 | 16390 | 11990 | 8310 | | | | | | | |
| | | P | | | | | 12.79 | 11.99 | 11.07 | 10.03 | 8.86 | 7.82 | 6.71 | 5.61 | | | | | | | |
| | 40 | Q | | | | | 46830 | 38080 | 30490 | 24040 | 18490 | 13830 | 9800 | 6440 | | | | | | | |
| | | P | | | | | 14.99 | 13.88 | 12.62 | 11.25 | 9.81 | 8.71 | 7.34 | 5.93 | | | | | | | |
| | 50 | Q | | | | | 41680 | 33680 | 26790 | 20890 | 15790 | 11490 | 7920 | 4970 | | | | | | | |
| | | P | | | | | 17.20 | 15.75 | 14.20 | 12.53 | 10.90 | 9.26 | 7.57 | 5.82 | | | | | | | |
| RFS-4H-25.2 | 30 | Q | 99250 | 91150 | 83560 | 76460 | 63670 | 52580 | 42930 | 34630 | 27490 | 21390 | 16250 | | | | | | | | |
| | | P | 13.96 | 13.81 | 13.63 | 13.41 | 12.90 | 12.28 | 11.54 | 10.68 | 9.72 | 8.63 | 7.45 | | | | | | | | |
| | 40 | Q | 89660 | 82260 | 75360 | 68870 | 57270 | 47130 | 38330 | 30790 | 24240 | 18660 | 13930 | | | | | | | | |
| | | P | 16.83 | 16.55 | 16.24 | 15.90 | 15.13 | 14.24 | 13.88 | 12.13 | 10.90 | 9.57 | 8.12 | | | | | | | | |
| | 50 | Q | 80460 | 73760 | 67570 | 61670 | 51080 | 41930 | 33930 | 27040 | 21090 | 16020 | | | | | | | | | |
| | | P | 19.66 | 19.26 | 18.83 | 18.36 | 17.34 | 16.18 | 14.90 | 13.51 | 12.00 | 10.38 | | | | | | | | | |

NOTE:
Suction temperature 20°C, 50Hz, without liquid subcooling.
When the frequency is 60Hz, the increase of refrigerating capacity is 20%

- The compressor should have chilling or restrict suction temperature.
- The compressor should have chilling or restrict suction temperature.
- The compressor should have chilling and CIC system.

Cooling Capacity

R22

50Hz

| Model | Condensing Temperature °C | ↓ | Refrigerating Capacity Qo(watt) | | | | | | | | | | Power Consumption Pe(kW) | | | | | | | | |
|-------------|---------------------------|---|---------------------------------|--------|-------|-------|-------|-------|-------|-------|-------|-------|--------------------------|------|-----|--|--|--|--|--|--|
| | | | Evaporating Temperature °C | | | | | | | | | | | | | | | | | | |
| | | | 12.5 | 10 | 7.5 | 5 | 0 | -5 | -10 | -15 | -20 | -25 | -30 | -35 | -40 | | | | | | |
| RFS-4G-20.2 | 30 | Q | | | | | 59970 | 48930 | 39480 | 31380 | 24490 | 18930 | 13910 | 9670 | | | | | | | |
| | | P | | | | | 14.71 | 13.74 | 12.69 | 11.57 | 10.34 | 9.70 | 8.44 | 7.14 | | | | | | | |
| | 40 | Q | | | | | 53670 | 43680 | 35080 | 27740 | 21490 | 16070 | 11420 | 7530 | | | | | | | |
| | | P | | | | | 17.48 | 16.12 | 14.67 | 13.14 | 11.48 | 10.4 | 8.79 | 7.18 | | | | | | | |
| | 50 | Q | | | | | 47780 | 38730 | 30940 | 24190 | 18340 | 13380 | 9230 | 5790 | | | | | | | |
| | | P | | | | | 20.20 | 18.49 | 16.73 | 14.97 | 13.21 | 11.29 | 9.24 | 7.10 | | | | | | | |
| RFS-4G-30.2 | 30 | Q | 114140 | 104750 | 95950 | 87760 | 73060 | 60370 | 49280 | 39780 | 31630 | 24690 | 18830 | | | | | | | | |
| | | P | 16.50 | 16.31 | 16.09 | 15.82 | 15.19 | 14.40 | 13.51 | 12.51 | 11.42 | 10.26 | 9.05 | | | | | | | | |
| | 40 | Q | 102950 | 94450 | 86460 | | | | | | | | | | | | | | | | |

Cooling Capacity R22 50Hz

| Model | Condensing Temperature °C | Refrigerating Capacity Qo(watt) | | | | Power Consumption Pe(kW) | | | |
|--------------|---------------------------|---------------------------------|-------|-------|-------|--------------------------|-------|-------|--|
| | | Evaporating Temperature °C | | | | | | | |
| | | -20 | -25 | -30 | -35 | -40 | -45 | -50 | |
| RFS-S4G-12.2 | 30 | 21340 | 17720 | 14540 | 11760 | 9340 | 7240 | 5410 | |
| | 35 | 20940 | 17420 | 14290 | 11550 | 9150 | 7060 | 5230 | |
| | 40 | 20590 | 17130 | 14050 | 11340 | 8960 | 6880 | 5040 | |
| | 45 | 20240 | 16840 | 13810 | 11130 | 8780 | 6690 | | |
| | 50 | 19910 | 16560 | 13580 | 10940 | 8580 | | | |
| RFS-S6H-20.2 | 30 | 35480 | 29690 | 24490 | 19960 | 15950 | 12390 | 9180 | |
| | 35 | 35130 | 29390 | 24290 | 19750 | 15740 | 12150 | 8880 | |
| | 40 | 34730 | 29090 | 24040 | 19550 | 15550 | 11930 | 8590 | |
| | 45 | 34380 | 28790 | 23790 | 19360 | 15360 | 11710 | | |
| | 50 | 34030 | 28490 | 23590 | 19200 | 15210 | | | |
| RFS-S6G-25.2 | 30 | 40780 | 34030 | 28140 | 22890 | 18310 | 14220 | 10540 | |
| | 35 | 40330 | 33730 | 27890 | 22690 | 18080 | 13950 | 10200 | |
| | 40 | 39880 | 33380 | 27590 | 22440 | 17850 | 13690 | 9860 | |
| | 45 | 39480 | 33030 | 27340 | 22240 | 17640 | 13450 | | |
| | 50 | 39080 | 32730 | 27090 | 22040 | 17460 | | | |
| RFS-S6F-30.2 | 30 | 48780 | 40730 | 33680 | 27390 | 21890 | 17020 | 12600 | |
| | 35 | 48230 | 40330 | 33330 | 27140 | 21640 | 16700 | 12190 | |
| | 40 | 47730 | 39930 | 32980 | 26840 | 21340 | 16380 | 11780 | |
| | 45 | 47230 | 39530 | 32680 | 26590 | 21090 | 16090 | | |
| | 50 | 46730 | 39180 | 32430 | 26390 | 20890 | | | |
| 55 | 46280 | 38830 | 32180 | 26190 | | | | | |

NOTE:
Suction temperature 20°C, rotate speed of the motor is 1450 rp/m(50Hz).

Cooling Capacity R404A/R507A 50Hz

| Model | Condensing Temperature °C | ↓ | Refrigerating Capacity Qo(watt) | | | | | | | Power Consumption Pe(kW) | | | | |
|--------------|---------------------------|---|---------------------------------|---|---|-------|-------|-------|-------|--------------------------|-------|-------|------|------|
| | | | Evaporating Temperature °C | | | | | | | | | | | |
| | | | 7.5 | 5 | 0 | -5 | -10 | -15 | -20 | -25 | -30 | -35 | 40 | -45 |
| RFS-2DC-2.2Y | 30 | Q | | | | 10290 | 8480 | 6910 | 5550 | 4390 | 3390 | 2550 | 1840 | 1250 |
| | | P | | | | 2.79 | 2.67 | 2.52 | 2.34 | 2.13 | 1.90 | 1.64 | 1.37 | 1.07 |
| | 40 | Q | | | | 8570 | 7030 | 5700 | 4540 | 3550 | 2700 | 1980 | 1370 | 860 |
| RFS-2CC-3.2Y | 30 | Q | | | | 6910 | 5640 | 4540 | 3580 | 2750 | 2050 | 1440 | 935 | |
| | | P | | | | 3.70 | 3.39 | 3.06 | 2.71 | 2.34 | 1.95 | 1.55 | 1.14 | |
| | 40 | Q | | | | 13160 | 10790 | 8750 | 6990 | 5490 | 4220 | 3150 | 2250 | 1520 |
| RFS-2DC-3.2Y | 30 | Q | | | | 3.49 | 3.34 | 3.14 | 2.90 | 2.62 | 2.30 | 1.96 | 1.60 | 1.23 |
| | | P | | | | 10990 | 8990 | 7260 | 5770 | 4480 | 3390 | 2460 | 1680 | 1030 |
| | 40 | Q | | | | 4.08 | 3.81 | 3.49 | 3.14 | 2.75 | 2.34 | 1.91 | 1.47 | 1.02 |
| RFS-2DC-3.2Y | 30 | Q | | | | 8860 | 7240 | 5810 | 4580 | 3510 | 2590 | 1800 | 1120 | |
| | | P | | | | 4.65 | 4.23 | 3.78 | 3.32 | 2.84 | 2.34 | 1.83 | 1.30 | |
| | 40 | Q | | | | 16430 | 15060 | 12590 | 10450 | 8590 | 6900 | 5600 | 4410 | 3400 |
| RFS-2CC-4.2Y | 30 | Q | | | | 2.79 | 2.81 | 2.82 | 2.77 | 2.67 | 2.53 | 2.35 | 2.14 | 1.91 |
| | | P | | | | 13830 | 12670 | 10580 | 8760 | 7180 | 5810 | 4620 | 3600 | 2730 |
| | 40 | Q | | | | 3.53 | 3.49 | 3.38 | 3.22 | 3.03 | 2.80 | 2.54 | 2.25 | 1.94 |
| RFS-4FC-3.2Y | 30 | Q | | | | 11260 | 10320 | 8610 | 7110 | 5800 | 4650 | 3660 | 2800 | 2060 |
| | | P | | | | 4.23 | 4.13 | 3.9 | 3.64 | 3.35 | 3.03 | 2.69 | 2.33 | 1.94 |
| | 40 | Q | | | | 20550 | 18820 | 15730 | 13040 | 10710 | 8700 | 6960 | 5480 | 4210 |
| RFS-4FC-5.2Y | 30 | Q | | | | 3.49 | 3.51 | 3.51 | 3.44 | 3.31 | 3.13 | 2.90 | 2.63 | 2.33 |
| | | P | | | | 17310 | 15860 | 13240 | 10960 | 8970 | 7250 | 5760 | 4480 | 3380 |
| | 40 | Q | | | | 4.37 | 4.32 | 4.19 | 4.00 | 3.76 | 3.47 | 3.14 | 2.77 | 2.38 |
| RFS-4FC-5.2Y | 30 | Q | | | | 14130 | 12940 | 10800 | 8920 | 7270 | 5830 | 4590 | 3510 | 2580 |
| | | P | | | | 5.27 | 5.15 | 4.88 | 4.56 | 4.19 | 3.79 | 3.35 | 2.88 | 2.38 |
| | 40 | Q | | | | 13710 | 11320 | 9260 | 7470 | 5940 | 4630 | 3510 | 2580 | |
| RFS-4EC-4.2Y | 30 | Q | | | | 3.87 | 3.68 | 3.45 | 3.20 | 2.92 | 2.59 | 2.25 | 1.89 | 1.51 |
| | | P | | | | 11550 | 9520 | 7740 | 6200 | 4880 | 3750 | 2790 | 1980 | 1310 |
| | 40 | Q | | | | 4.44 | 4.12 | 3.78 | 3.42 | 3.05 | 2.64 | 2.24 | 1.83 | 1.41 |
| RFS-4EC-6.2Y | 30 | Q | | | | 9450 | 7740 | 6260 | 4970 | 3860 | 2910 | 2110 | 1430 | |
| | | P | | | | 4.94 | 4.50 | 4.06 | 3.61 | 3.15 | 2.68 | 2.23 | 1.78 | |
| | 40 | Q | | | | 21540 | 19780 | 16580 | 13800 | 11390 | 9320 | 7520 | 5970 | 4650 |
| RFS-4EC-6.2Y | 30 | Q | | | | 3.80 | 3.81 | 3.78 | 3.69 | 3.54 | 3.34 | 3.09 | 2.80 | 2.49 |
| | | P | | | | 18230 | 16730 | 14010 | 11640 | 9580 | 7790 | 6240 | 4900 | 3760 |
| | 40 | Q | | | | 4.67 | 4.62 | 4.48 | 4.27 | 4.01 | 3.71 | 3.67 | 3.00 | 2.60 |
| RFS-4EC-6.2Y | 30 | Q | | | | 14960 | 13720 | 11460 | 9500 | 7780 | 6280 | 4980 | 3860 | 2900 |
| | | P | | | | 5.47 | 5.36 | 5.10 | 4.77 | 4.41 | 4.00 | 3.57 | 3.12 | 2.63 |
| | 40 | Q | | | | 17320 | 14280 | 11650 | 9400 | 7450 | 5800 | 4390 | 3210 | |
| RFS-4EC-6.2Y | 30 | Q | | | | 4.63 | 4.41 | 4.14 | 3.83 | 3.47 | 3.08 | 2.66 | 2.23 | 1.79 |
| | | P | | | | 14430 | 11860 | 9650 | 7720 | 6070 | 4650 | 3450 | 2440 | |
| | 40 | Q | | | | 5.31 | 4.96 | 4.55 | 4.12 | 3.66 | 3.17 | 2.66 | 2.15 | |
| RFS-4DC-5.2Y | 30 | Q | | | | 11640 | 95500 | 7720 | 6130 | 4760 | 3590 | 2590 | 1750 | |
| | | P | | | | 5.89 | 5.42 | 4.89 | 4.35 | 3.79 | 3.21 | 2.61 | 2.03 | |
| | 40 | Q | | | | 27490 | 25190 | 21090 | 17570 | 14490 | 11820 | 9530 | 7550 | |
| RFS-4DC-5.2Y | 30 | Q | | | | 4.75 | 4.77 | 4.75 | 4.64 | 4.45 | 4.19 | 3.87 | 3.50 | 3.10 |
| | | P | | | | 23140 | 21240 | 17770 | 14560 | 12110 | 9840 | 7860 | 6160 | |
| | 40 | Q | | | | 5.90 | 5.84 | 5.65 | 5.38 | 5.04 | 4.63 | 4.19 | 3.70 | |
| RFS-4DC-7.2Y | 30 | Q | | | | 18920 | 17350 | 14480 | 11970 | 9790 | 7890 | 6240 | 4820 | |
| | | P | | | | 6.89 | 6.75 | 6.40 | 5.98 | 5.50 | 4.98 | 4.40 | 3.81 | |
| | 40 | Q | | | | 21090 | 17410 | 14210 | 11460 | 9100 | 7080 | 5370 | | |
| RFS-4DC-7.2Y | 30 | Q | | | | 5.55 | 5.32 | 5.02 | 4.64 | 4.17 | 3.72 | 3.21 | 2.67 | |
| | | P | | | | 17640 | 14510 | 11800 | 9460 | 7440 | 5720 | 4250 | | |
| | 40 | Q | | | | 6.37 | 5.98 | 5.53 | 5.02 | 4.45 | 3.85 | 3.24 | | |
| RFS-4DC-7.2Y | 30 | Q | | | | 14290 | 11720 | 9490 | 7550 | 5880 | 4440 | 3220 | | |
| | | P | | | | 7.11 | 6.56 | 5.96 | 5.32 | 4.64 | 3.94 | 3.24 | | |
| | 40 | Q | | | | 32580 | 29890 | 24990 | 20790 | 17110 | 13940 | 11200 | | |
| RFS-4DC-7.2Y | 30 | Q | | | | 5.52 | 5.55 | 5.54 | 5.42 | 5.21 | 4.90 | 4.54 | 4.12 | |
| | | P | | | | 27490 | 25190 | 21090 | 17480 | 14340 | 11620 | 9270 | | |
| | 40 | Q | | | | 6.84 | 6.78 | 6.58 | 6.29 | 5.91 | 5.46 | 4.94 | | |
| RFS-4DC-7.2Y | 30 | Q | | | | 22490 | 20590 | 17200 | 14220 | 11610 | 9350 | 7380 | | |
| | | P | | | | 8.02 | 7.87 | 7.50 | 7.04 | 6.49 | 5.89 | 5.23 | | |
| | 40 | Q | | | | 8.02 | 7.87 | 7.50 | 7.04 | 6.49 | 5.89 | 5.23 | | |

NOTE:
Suction temperature 20°C, 50Hz, without liquid subcooling.
When the frequency is 60Hz, the increase of refrigerating capacity is 20%.
The compressor should have chilling or restrict suction temperature.

Cooling Capacity R404A/R507A 50Hz

| Model | Condensing Temperature °C | ↓ | Refrigerating Capacity Qo(watt) | | | | | | | | | | Power Consumption Pe(kW) | | | |
|----------------|---------------------------|---|---------------------------------|-------|-------|-------|-------|-------|-------|-------|-------|-------|--------------------------|------|--|--|
| | | | Evaporating Temperature °C | | | | | | | | | | 40 | -45 | | |
| | | | 7.5 | 5 | 0 | -5 | -10 | -15 | -20 | -25 | -30 | -35 | | | | |
| RFS-4CC-6.2Y | 30 | Q | | | | 24940 | 20640 | 16890 | 13660 | 10900 | 8540 | 6530 | 4840 | 3420 | | |
| | | P | | | | 6.68 | 6.39 | 6.01 | 5.55 | 5.04 | 4.47 | 3.88 | 3.27 | 2.64 | | |
| | 40 | Q | | | | 21090 | 17410 | 14190 | 11410 | 9030 | 6980 | 5240 | 3770 | 2540 | | |
| | | P | | | | 7.68 | 7.21 | 6.66 | 6.06 | 5.40 | 4.69 | 3.96 | 3.23 | 2.48 | | |
| | 50 | Q | | | | 17310 | 14210 | 11510 | 9190 | 7180 | 5460 | 4000 | 2770 | | | |
| | | P | | | | 8.65 | 8.02 | 7.32 | 6.54 | 5.74 | 4.89 | 4.03 | 3.16 | | | |
| RFS-4CC-9.2Y | 30 | Q | 38780 | 35580 | 29890 | 24890 | 20590 | 16870 | 13650 | 10890 | 8530 | 6530 | 4840 | | | |
| | | P | 6.88 | 6.90 | 6.85 | 6.67 | 6.39 | 6.01 | 5.56 | 5.04 | 4.47 | 3.88 | 3.27 | | | |
| | 40 | Q | 32830 | 30140 | 25290 | 21090 | 17400 | 14200 | 11430 | 9050 | 7000 | 5250 | 3770 | | | |
| | | P | 8.39 | 8.31 | 8.05 | 7.67 | 7.22 | 6.66 | 6.05 | 5.39 | 4.68 | 3.96 | 3.21 | | | |
| | 50 | Q | 27040 | 24840 | 20890 | 17370 | 14300 | 11610 | 9280 | 7240 | 5480 | 3690 | 2660 | | | |
| | | P | 9.85 | 9.67 | 9.21 | 8.65 | 7.93 | 7.32 | 6.55 | 5.74 | 4.89 | 4.03 | 3.16 | | | |
| RFS-4VCS-6.2Y | 30 | Q | | | | 27040 | 22900 | 18180 | 14630 | 11590 | 8990 | 6780 | 4920 | 3370 | | |
| | | P | | | | 7.21 | 6.74 | 6.21 | 5.65 | 5.05 | 4.42 | 3.78 | 3.13 | 2.47 | | |
| | 40 | Q | | | | 22740 | 18660 | 15130 | 12080 | 9470 | 7230 | 5320 | 3720 | 2380 | | |
| | | P | | | | 8.16 | 7.49 | 6.79 | 6.06 | 5.31 | 4.54 | 3.76 | 2.97 | 2.16 | | |
| | 50 | Q | | | | 14960 | 12040 | 9530 | 7370 | 5520 | 3950 | 2640 | | | | |
| | | P | | | | 8.02 | 7.16 | 6.29 | 5.44 | 4.57 | 3.68 | 2.79 | | | | |
| RFS-4VCS-10.2Y | 30 | Q | 42730 | 39180 | 32780 | 27240 | 22390 | 18230 | 14600 | 11480 | 8810 | 6530 | 4580 | | | |
| | | P | 7.18 | 7.17 | 7.05 | 6.79 | 6.44 | 5.99 | 5.48 | 4.90 | 4.29 | 3.66 | 3.02 | | | |
| | 40 | Q | 36080 | 33080 | 27590 | 22840 | 18670 | 15060 | 11940 | 9260 | 6960 | 5000 | 3350 | | | |
| | | P | 8.71 | 8.58 | 8.22 | 7.73 | 7.18 | 6.53 | 5.83 | 5.10 | 4.33 | 3.57 | 2.81 | | | |
| | 50 | Q | 29540 | 27040 | 22490 | 18480 | 15010 | 12000 | 9410 | 7180 | 5290 | 3690 | 2360 | | | |
| | | P | 10.02 | 9.76 | 9.18 | 8.48 | 7.72 | 6.90 | 6.04 | 5.16 | 4.28 | 3.41 | 2.58 | | | |
| RFS-4TCS-8.2Y | 30 | Q | | | | 33030 | 27240 | 22190 | 17880 | 14160 | 10990 | 8300 | 6040 | 4150 | | |
| | | P | | | | 8.78 | 8.21 | 7.59 | 6.90 | 6.19 | 5.44 | 4.66 | 3.88 | 3.09 | | |
| | 40 | Q | | | | 27740 | 22790 | 18470 | 14750 | 11550 | 8830 | 6520 | 4580 | 2960 | | |
| | | P | | | | 9.91 | 9.10 | 8.24 | 7.38 | 6.49 | 5.60 | 4.68 | 3.76 | 2.82 | | |
| | 50 | Q | | | | 18340 | 14780 | 11700 | 9070 | 6800 | 4880 | 3260 | | | | |
| | | P | | | | 9.79 | 8.75 | 7.72 | 6.68 | 5.64 | 4.57 | 3.48 | | | | |
| RFS-4TCS-12.2Y | 30 | Q | 51470 | 47180 | 39430 | 32730 | 26890 | 21890 | 17540 | 13820 | 10650 | 7960 | 5700 | | | |
| | | P | 8.67 | 8.67 | 8.53 | 8.26 | 7.85 | 7.33 | 6.71 | 6.03 | 5.29 | 4.50 | 3.70 | | | |
| | 40 | Q | 43480 | 39830 | 33280 | 27540 | 22590 | 18250 | 14520 | 11310 | 8590 | 6270 | 4320 | | | |
| | | P | 10.71 | 10.52 | 10.04 | 9.45 | 8.76 | 8.00 | 7.19 | 6.32 | 5.43 | 4.53 | 3.64 | | | |
| | 50 | Q | 35380 | 32380 | 27040 | 22340 | 18220 | 14640 | 11540 | 8880 | 6590 | 4650 | 3020 | | | |
| | | P | 12.34 | 11.99 | 11.23 | 10.38 | 9.47 | 8.49 | 7.49 | 6.45 | 5.42 | 4.38 | 3.38 | | | |
| RFS-4PCS-10.2Y | 30 | Q | | | | 38280 | 31580 | 25740 | 20690 | 16380 | 12680 | 9550 | 6910 | 4690 | | |
| | | P | | | | 10.12 | 9.42 | 8.69 | 7.91 | 7.10 | 6.25 | 5.37 | 4.45 | 3.50 | | |
| | 40 | Q | | | | 32280 | 26490 | 21490 | 17120 | 13390 | 10210 | 7520 | 5240 | 3350 | | |
| | | P | | | | 11.45 | 10.50 | 9.52 | 8.49 | 7.45 | 6.38 | 5.33 | 4.27 | 3.24 | | |
| | 50 | Q | | | | 21490 | 17280 | 13650 | 10550 | 7890 | 5640 | 3760 | | | | |
| | | P | | | | 11.32 | 10.09 | 8.84 | 7.57 | 6.31 | 5.08 | 3.90 | | | | |
| RFS-4PCS-15.2Y | 30 | Q | 61470 | 56370 | 47080 | 39030 | 32080 | 25990 | 20790 | 16310 | 12480 | 9240 | 6500 | | | |
| | | P | 10.28 | 10.24 | 10.01 | 9.63 | 9.11 | 8.47 | 7.74 | 6.94 | 6.07 | 5.17 | 4.25 | | | |
| | 40 | Q | 52170 | 47830 | 39930 | 33030 | 27040 | 21840 | 17350 | 13480 | 10190 | 7390 | 5020 | | | |
| | | P | 12.47 | 12.20 | 11.57 | 10.84 | 10.04 | 9.16 | 8.22 | 7.23 | 6.20 | 5.16 | 4.09 | | | |
| | 50 | Q | 42580 | 38980 | 32480 | 26740 | 21790 | 17420 | 13670 | 10460 | 7710 | 5380 | 3420 | | | |
| | | P | 14.34 | 13.84 | 12.84 | 11.79 | 10.71 | 9.60 | 8.47 | 7.32 | 6.14 | 4.97 | 3.77 | | | |
| RFS-4NCS-12.2Y | 30 | Q | | | | 43980 | 36230 | 29540 | 23740 | 18800 | 14570 | 11000 | 7980 | 5470 | | |
| | | P | | | | 11.94 | 11.21 | 10.08 | 9.40 | 8.39 | 7.34 | 6.26 | 5.22 | 4.20 | | |
| | 40 | Q | | | | 37280 | 30590 | 24790 | 19800 | 15500 | 11830 | 8740 | 6120 | 3950 | | |
| | | P | | | | 13.46 | 12.39 | 11.24 | 10.02 | 8.75 | 7.48 | 6.22 | 5.02 | 3.89 | | |
| | 50 | Q | | | | 24840 | 19990 | 15810 | 12200 | 9120 | 6510 | 4300 | | | | |
| | | P | | | | 13.35 | 11.89 | 10.42 | 8.96 | 7.49 | 6.04 | 4.62 | | | | |
| RFS-4NCS-20.2Y | 30 | Q | 70970 | 65070 | 54470 | 45230 | 37180 | 30240 | 24240 | 19060 | 14630 | 10860 | 7660 | | | |
| | | P | 12.30 | 12.26 | 12.00 | 11.53 | 10.87 | 10.09 | 9.19 | 8.20 | 7.16 | 6.10 | 5.05 | | | |
| | 40 | Q | 60470 | 55370 | 46230 | 38180 | 31230 | 25190 | 19990 | 15520 | 11720 | 8510 | 5820 | | | |
| | | P | 14.85 | 14.56 | 13.86 | 12.98 | 11.97 | 10.85 | 9.67 | 8.44 | 7.20 | 5.98 | 4.80 | | | |
| | 50 | Q | 49880 | 45630 | 37880 | 31090 | 25240 | 20140 | 15750 | 12000 | 8840 | 6180 | 3980 | | | |
| | | P | 16.86 | 16.36 | 15.26 | 14.02 | 12.69 | 11.30 | 9.86 | 8.42 | 7.01 | 5.66 | 4.39 | | | |

NOTE:
Suction temperature 20°C, 50Hz, without liquid subcooling.
When the frequency is 60Hz, the increase of refrigerating capacity is 20%.
The compressor should have chilling or restrict suction temperature.

Cooling Capacity R404A/R507A 50Hz

| Model | Condensing Temperature °C | ↓ | Refrigerating Capacity Qo(watt) | | | | | | | | | | Power Consumption Pe(kW) | | | |
|--------------|---------------------------|---|---------------------------------|-------|-------|-------|-------|-------|-------|-------|-------|-------|--------------------------|-------|--|--|
| | | | Evaporating Temperature °C | | | | | | | | | | 40 | -45 | | |
| | | | 7.5 | 5 | 0 | -5 | -10 | -15 | -20 | -25 | -30 | -35 | | | | |
| RFS-4H-15.2Y | 30 | Q | | | | 58470 | 48380 | 39680 | 32180 | 25740 | 20240 | 15550 | 11620 | 8350 | | |
| | | P | | | | 15.86 | 14.91 | 13.86 | 12.69 | 11.46 | 10.15 | 8.81 | 7.47 | 6.13 | | |
| | 40 | Q | | | | 49830 | 41130 | 33580 | 27090 | 21490 | 16720 | 12650 | 9240 | 6380 | | |
| | | P | | | | 18.25 | 16.88 | 15.42 | 13.89 | 12.31 | 10.70 | 9.10 | 7.51 | 5.96 | | |
| | 50 | Q | | | | 33930 | 27590 | 22040 | 17320 | 13260 | 9820 | 6920 | | | | |
| | | P | | | | 18.59 | 16.75 | 14.87 | 12.98 | 11.09 | 9.22 | 7.41 | | | | |
| RFS-4H-25.2Y | 30 | Q | 90660 | 83160 | 69670 | 57870 | 47730 | 38930 | 31330 | 24790 | 19200 | 14450 | 10450 | | | |
| | | P | 16.22 | 16.15 | 15.80 | 15.22 | 14.43 | 13.48 | 12.38 | 11.17 | 9.86 | 8.50 | 7.12 | | | |
| | 40 | Q | 77360 | 70970 | 59470 | 49380 | 40630 | 32980 | 26440 | 20790 | 15920 | 11790 | 8320 | | | |
| | | P | 19.66 | 19.31 | 18.46 | 17.41 | 16.19 | 14.83 | 13.38 | 11.84 | 10.25 | 8.64 | 7.04 | | | |
| | 50 | Q | 64470 | 59070 | 49480 | 40980 | 33580 | 27190 | 21590 | 16820 | 12730 | 9260 | 6340 | | | |
| | | P | 22.89 | 22.29 | 20.94 | 19.43 | 17.80 | 16.06 | 14.25 | 12.40 | 10.54 | 8.70 | 6.90 | | | |
| RFS-4G-20.2Y | 30 | Q | | | | 67070 | 55470 | 45380 | 36730 | 29340 | 22990 | 17590 | 13050 | 9260 | | |
| | | P | | | | 18.31 | 17.20 | 15.97 | 14.62 | 13.19 | 11.68 | 10.13 | 8.57 | 7.01 | | |
| | 40 | Q | | | | 57170 | 47280 | 38680 | 31180 | 24790 | 19240 | 14530 | 10540 | 7160 | | |
| | | P | | | | 21.05 | 19.46 | 17.77 | 16.01 | 14.20 | 12.36 | 10.52 | 8.69 | 6.93 | | |
| | 50 | Q | | | | 38730 | 31630 | 25440 | 20090 | 15470 | 11500 | 8120 | 5120 | | | |
| | | P | | | | 21.36 | 19.25 | 17.11 | 14.94 | 12.79 | 10.68 | 8.64 | | | | |
| RFS-4G-30.2Y | 30 | Q | 103750 | 95250 | 79860 | 66470 | 54870 | 44880 | 36230 | 28790 | 22440 | 17030 | 12470 | | | |
| | | P | 19.31 | 19.17 | 18.67 | 17.90 | 16.92 | 15.78 | 14.48 | 13.09 | 11.63 | 10.14 | 8.65 | | | |
| | 40 | Q | 89060 | 81760 | 68570 | 56970 | 46980 | 38230 | 30690 | 24190 | 18600 | 13850 | 9850 | | | |
| | | P | 23.49 | 23.00 | 21.84 | 20.48 | 18.97 | 17.35 | 15.64 | 13.88 | 12.12 | 10.38 | 8.72 | | | |
| | 50 | Q | 74260 | 68170 | 57070 | 47380 | 38880 | 31480 | 25090 | 19570 | 14830 | 10800 | 7410 | | | |
| | | P | 27.15 | 26.33 | 24.58 | 22.69 | 20.70 | 18.65 | 16.58 | 14.52 | 12.51 | 10.59 | 8.80 | | | |
| RFS-6J-22.2Y | 30 | Q | | | | 75800 | 62800 | 51600 | 41900 | 33600 | 26400 | 20300 | 15090 | 10700 | | |
| | | P | | | | 20.20 | 18.75 | 17.26 | 15.74 | 14.19 | 12.57 | 10.9 | 9.15 | 7.32 | | |
| | 40 | Q | | | | 65700 | 54300 | 44350 | 35800 | 28400 | 22100 | 16690 | 12100 | 8240 | | |
| | | P | | | | 22.90 | 21 | 19.16 | 17.24 | 15.28 | 13.26 | 11.19 | 9.06 | 6.85 | | |
| | 50 | Q | | | | 44900 | 36500 | 29250 | 23000 | 17610 | 13010 | 9110 | | | | |
| | | P | | | | 23.20 | 20.90 | 18.63 | 16.28 | 13.87 | 11.40 | 8.87 | | | | |
| RFS-6H-25.2Y | 30 | Q | | | | 87560 | 7250 | 59270 | 47780 | 37980 | 29690 | 22640 | 16730 | 11840 | | |
| | | P | | | | 23.62 | 22.26 | 20.68 | 1 | | | | | | | |

Cooling Capacity

R404A/R507A

50Hz

| Model | Condensing Temperature °C | Refrigerating Capacity Qo(watt) | | | | | | Power Consumption Pe(kW) | | | |
|---------------|---------------------------|---------------------------------|-------|-------|-------|-------|-------|--------------------------|-------|------|------|
| | | Evaporating Temperature °C | | | | | | | | | |
| | | -25 | -30 | -35 | -40 | -45 | -50 | -55 | -60 | -65 | -70 |
| RFS-S4G-12.2Y | 30 | 19480 | 16820 | 14270 | 11850 | 9650 | 7680 | 5980 | 4570 | 3410 | 2490 |
| | 35 | 19250 | 16560 | 13990 | 11590 | 9430 | 7510 | 5870 | 4480 | 3340 | 2420 |
| | 40 | 18910 | 16220 | 13680 | 11330 | 9220 | 7360 | 5760 | 4400 | 3250 | |
| | 45 | 18510 | 15850 | 13360 | 11080 | 9030 | 7230 | 5660 | 4290 | | |
| | 50 | 18060 | 15470 | 13050 | 10850 | 8860 | 7100 | 5540 | | | |
| | 55 | 17600 | 15090 | 12760 | 10640 | 8710 | 6970 | | | | |
| RFS-S6H-20.2Y | 30 | 31880 | 27440 | 23290 | 19430 | 15900 | 12750 | 10020 | 7690 | 5770 | 4230 |
| | 35 | 31280 | 26940 | 22840 | 19020 | 15550 | 12470 | 9190 | 7560 | 5670 | 4140 |
| | 40 | 30590 | 26340 | 22340 | 18600 | 15220 | 12230 | 9640 | 7420 | 5540 | |
| | 45 | 29890 | 25740 | 21840 | 18190 | 14910 | 12000 | 9470 | 7260 | | |
| | 50 | 29340 | 25190 | 21340 | 17800 | 14620 | 11790 | 9280 | | | |
| | 55 | | 24690 | 20890 | 17440 | 14350 | 11560 | | | | |
| RFS-S6G-25.2Y | 30 | 36180 | 31280 | 26590 | 22240 | 18210 | 14610 | 11470 | 8830 | 6630 | 4870 |
| | 35 | 35580 | 30690 | 26090 | 21740 | 17800 | 14290 | 11240 | 8660 | 6510 | 4760 |
| | 40 | 34880 | 30090 | 25490 | 21290 | 17410 | 13990 | 11040 | 8500 | 6350 | |
| | 45 | 34080 | 29390 | 24940 | 20790 | 17050 | 13730 | 10840 | 8310 | | |
| | 50 | 33430 | 28740 | 24340 | 20340 | 16710 | 13480 | 10620 | | | |
| | 55 | 32880 | 28140 | 23790 | 19910 | 16400 | 13220 | | | | |
| RFS-S6F-30.2Y | 30 | 43380 | 37380 | 31730 | 26490 | 21690 | 17410 | 13680 | 10540 | 7920 | 5800 |
| | 35 | 42480 | 36580 | 31040 | 25890 | 21190 | 17020 | 13410 | 10340 | 7780 | 5680 |
| | 40 | 41480 | 35680 | 30290 | 25290 | 20690 | 16670 | 13160 | 10150 | 7590 | |
| | 45 | 40430 | 34780 | 29540 | 24690 | 20290 | 16350 | 12920 | 9920 | | |
| | 50 | 39480 | 33980 | 28840 | 24090 | 19860 | 16050 | 12640 | | | |
| | 55 | 38780 | 33230 | 28190 | 23590 | 19480 | 15730 | | | | |

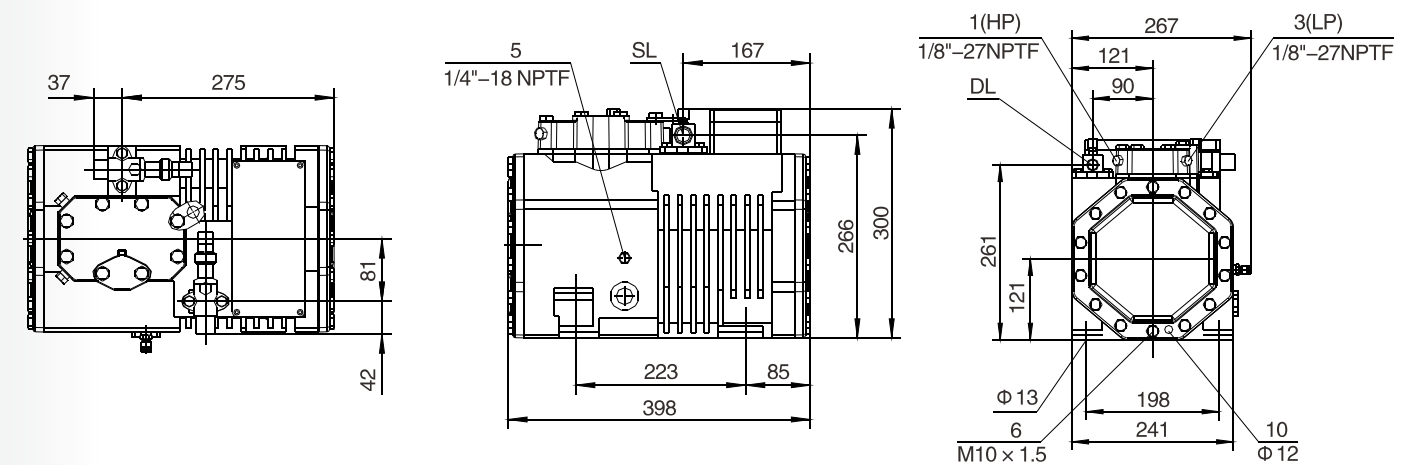
NOTE:
Suction temperature 20°C, rotate speed of the motor is 1450 rp/m(50Hz).

RFS-2DC-2.2~RFS-2CC-4.2

Dimensional Drawing



Dimensional Drawing RFS-2DC-2.2~RFS-2CC-4.2

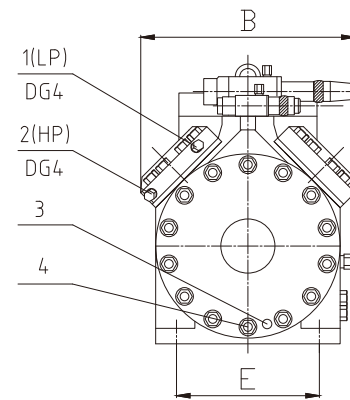
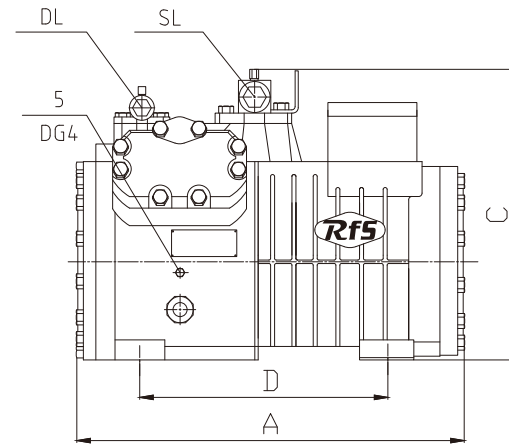


DL Discharge Valve

SL Suction Valve

RFS-4FC-3.2~RFS-4CC-9.2

Dimensional Drawing



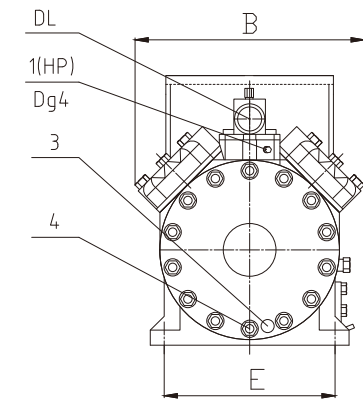
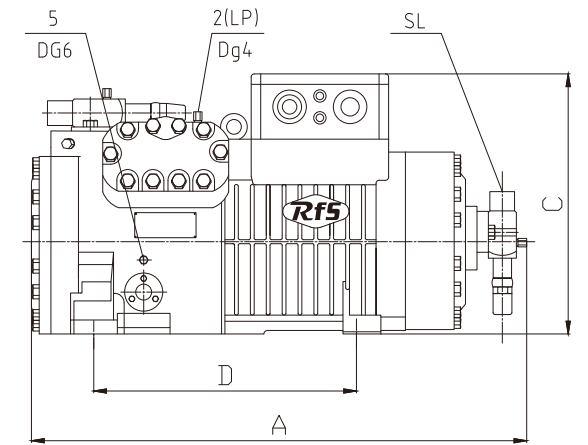
- 1.Low pressure connection (LP)
- 2.High pressure connection (HP)
- 3.Crankcase heater
- 4.Oildrain
- 5.Oil return (join oilseparator)
- DL.Discharge valve connection
- SL.Suction valve connection

Size Specification

| Model | Over | | | | Overall Dimension | | | | | Oil Volume L | Net Weight KG |
|-------------|-----------|------|---------|-------|-------------------|--------------|--------------|--------------|------|-----------------|------------------|
| | Discharge | | Suction | | Long A mm | Wide B mm | High C mm | Footing Size | | | |
| | mm | Inch | mm | Inch | | | | D mm | E mm | | |
| RFS-4FC-3.2 | 16 | 5/8 | 22 | 7/8 | 432 | 304 | 350 | 293 | 198 | 2.0 | 82 |
| RFS-4FC-5.2 | 16 | 5/8 | 22 | 7/8 | 432 | 304 | 350 | 293 | 198 | 2.0 | 86 |
| RFS-4EC-4.2 | 16 | 5/8 | 28 | 1-1/8 | 432 | 304 | 353 | 293 | 198 | 2.0 | 84 |
| RFS-4EC-6.2 | 16 | 5/8 | 28 | 1-1/8 | 432 | 304 | 353 | 293 | 198 | 2.0 | 87 |
| RFS-4DC-5.2 | 22 | 7/8 | 28 | 1-1/8 | 432 | 304 | 353 | 293 | 198 | 2.0 | 86 |
| RFS-4DC-7.2 | 22 | 7/8 | 28 | 1-1/8 | 458 | 304 | 353 | 293 | 198 | 2.0 | 88 |
| RFS-4CC-6.2 | 22 | 7/8 | 28 | 1-1/8 | 458 | 304 | 353 | 293 | 198 | 2.0 | 91 |
| RFS-4CC-9.2 | 22 | 7/8 | 28 | 1-1/8 | 458 | 304 | 353 | 293 | 198 | 2.0 | 91 |

RFS-4VCS-6.2~RFS-4NCS-20.2

Dimensional Drawing



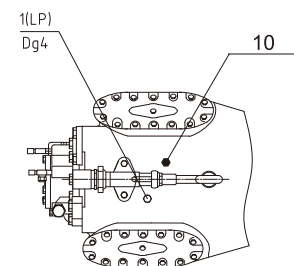
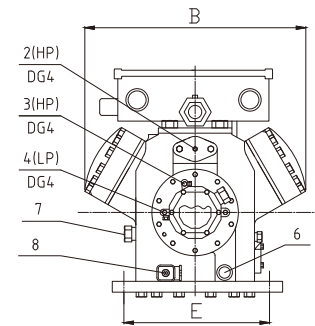
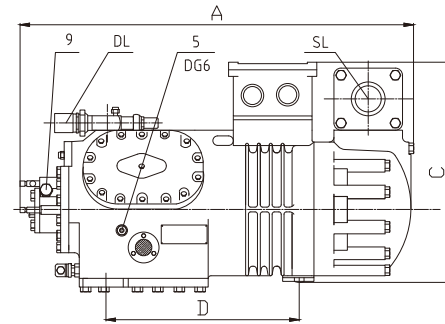
- 1.Low pressure connection (LP)
- 2.High pressure connection (HP)
- 3.Crankcase heater
- 4.Oildrain
- 5.Oil return (join oilseparator)
- DL.Discharge valve connection
- SL.Suction valve connection

Size Specification

| Model | Over | | | | Overall Dimension | | | | | Oil Volume L | Net Weight KG |
|---------------|-----------|-------|---------|-------|-------------------|--------------|--------------|--------------|------|-----------------|------------------|
| | Discharge | | Suction | | Long A mm | Wide B mm | High C mm | Footing Size | | | |
| | mm | Inch | mm | Inch | | | | D mm | E mm | | |
| RFS-4VCS-6.2 | 22 | 7/8 | 28 | 1-1/8 | 649 | 306 | 385 | 367 | 256 | 2.6 | 129 |
| RFS-4VCS-10.2 | 22 | 7/8 | 28 | 1-1/8 | 649 | 306 | 385 | 367 | 256 | 2.6 | 139 |
| RFS-4TCS-8.2 | 28 | 1-1/8 | 35 | 1-3/8 | 649 | 306 | 385 | 367 | 256 | 2.6 | 134 |
| RFS-4TCS-12.2 | 28 | 1-1/8 | 35 | 1-3/8 | 649 | 306 | 385 | 367 | 256 | 2.6 | 141 |
| RFS-4PCS-10.2 | 28 | 1-1/8 | 35 | 1-3/8 | 649 | 306 | 385 | 367 | 256 | 2.6 | 139 |
| RFS-4PCS-15.2 | 28 | 1-1/8 | 42 | 1-5/8 | 670 | 306 | 385 | 367 | 256 | 2.6 | 147 |
| RFS-4NCS-12.2 | 28 | 1-1/8 | 35 | 1-3/8 | 649 | 306 | 385 | 367 | 256 | 2.6 | 143 |
| RFS-4NCS-20.2 | 28 | 1-1/8 | 42 | 1-5/8 | 670 | 306 | 385 | 367 | 256 | 2.6 | 152 |

RFS-4H-15.2~RFS-6J-22.2

Dimensional Drawing



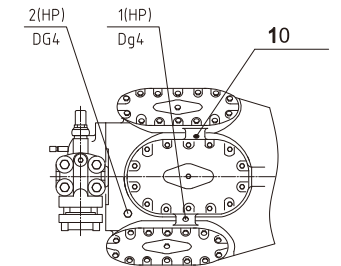
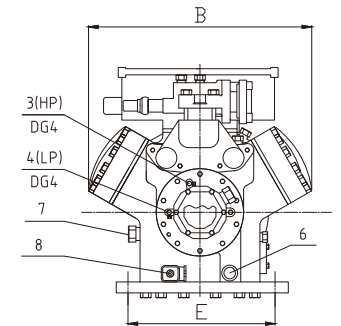
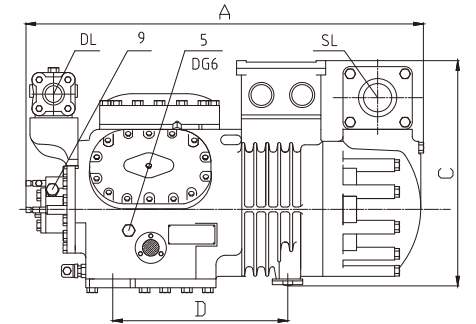
- 1.Low pressure connection(LP)
- 2.High pressure connection(HP)
- 3.Oil high pressure connection
- 4.Oil low pressure connection
- 5.Oil return(join oil separator)
- 6.Oil drain
- 7.Equalization(parallel operation)
- 8.Crankcase heater
- 9.Connection for differential oil pressure
- 10.CIC system:spray nzzle(operation without liquid subcooler)
- DL.Discharge valve connection
- SL.Suction valve connection

Size Specification

| Model | Over | | | | Overall Dimension | | | | | Oil Volume L | Net Weight KG |
|-------------|-----------|-------|---------|-------|-------------------|--------------|--------------|--------------|------|-----------------|------------------|
| | Discharge | | Suction | | Long A mm | Wide B mm | High C mm | Footing Size | | | |
| | mm | Inch | mm | Inch | | | | D mm | E mm | | |
| RFS-4H-15.2 | 28 | 1-1/8 | 42 | 1-5/8 | 639 | 417 | 453 | 381 | 305 | 4.5 | 184 |
| RFS-4H-25.2 | 28 | 1-1/8 | 54 | 2-1/8 | 639 | 417 | 453 | 381 | 305 | 4.5 | 204 |
| RFS-4G-20.2 | 28 | 1-1/8 | 54 | 2-1/8 | 639 | 417 | 453 | 381 | 305 | 4.5 | 195 |
| RFS-4G-30.2 | 28 | 1-1/8 | 54 | 2-1/8 | 741 | 417 | 453 | 381 | 305 | 4.5 | 206 |
| RFS-6J-22.2 | 35 | 1-3/8 | 54 | 2-1/8 | 639 | 417 | 453 | 381 | 305 | 4.5 | 210 |

RFS-6H-25.2~RFS-6F-50.2

Dimensional Drawing



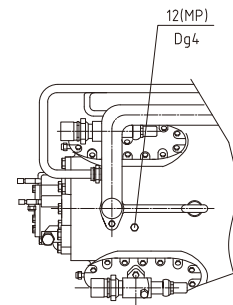
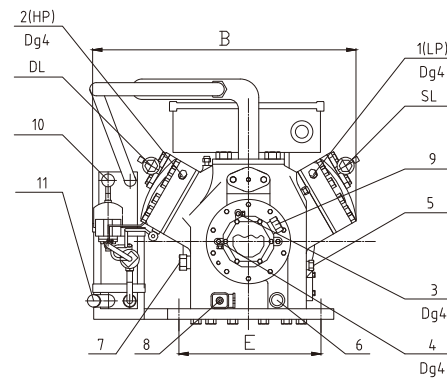
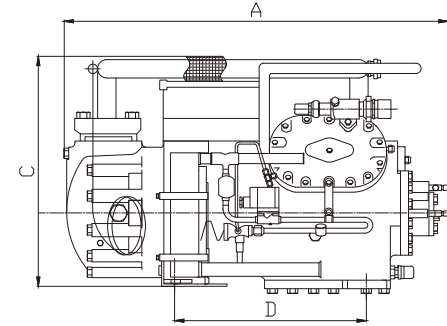
- 1.Low pressure connection(LP)
- 2.High pressure connection(HP)
- 3.Oil high pressure connection
- 4.Oil low pressure connection
- 5.Oil return(join oil separator)
- 6.Oil drain
- 7.Equalization(parallel operation)
- 8.Crankcase heater
- 9.Connection for differential oil pressure
- 10.CIC system:spray nzzle(operation without liquid subcooler)
- DL.Discharge valve connection
- SL.Suction valve connection

Size Specification

| Model | Over | | | | Overall Dimension | | | | | Oil Volume L | Net Weight KG |
|-------------|-----------|-------|---------|-------|-------------------|--------------|--------------|--------------|------|-----------------|------------------|
| | Discharge | | Suction | | Long A mm | Wide B mm | High C mm | Footing Size | | | |
| | mm | Inch | mm | Inch | | | | D mm | E mm | | |
| RFS-6H-25.2 | 35 | 1-3/8 | 54 | 2-1/8 | 765 | 452 | 445 | 381 | 305 | 4.8 | 223 |
| RFS-6H-35.2 | 35 | 1-3/8 | 54 | 2-1/8 | 795 | 452 | 445 | 381 | 305 | 4.8 | 236 |
| RFS-6G-30.2 | 35 | 1-3/8 | 54 | 2-1/8 | 765 | 452 | 445 | 381 | 305 | 4.8 | 229 |
| RFS-6G-40.2 | 35 | 1-3/8 | 54 | 2-1/8 | 795 | 452 | 445 | 381 | 305 | 4.8 | 236 |
| RFS-6F-40.2 | 42 | 1-5/8 | 54 | 2-1/8 | 795 | 452 | 445 | 381 | 305 | 4.8 | 240 |
| RFS-6F-50.2 | 42 | 1-5/8 | 54 | 2-1/8 | 795 | 452 | 445 | 381 | 305 | 4.8 | 242 |

RFS-S4G-12.2

Dimensional Drawing



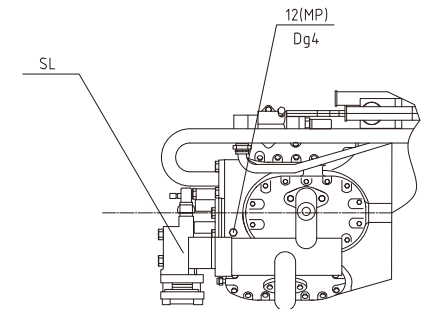
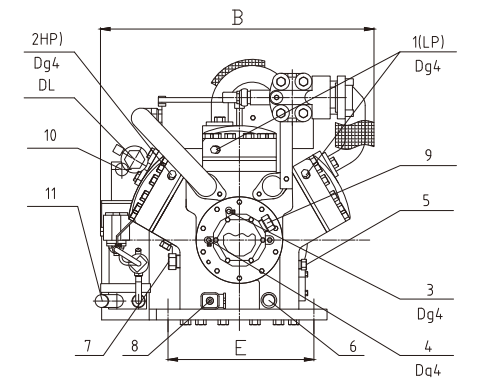
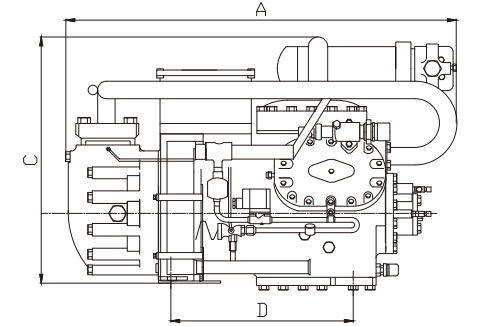
1. Low pressure connection (LP)
2. High pressure connection (HP)
3. Oil high pressure connection
4. Oil low pressure connection
5. Oil return (join oilseparator)
6. Oil drain
7. Equalization (parallel operation)
8. Crankcase heater
9. Connection for differential oil pressure
10. Refrigerant inlet at liquid cubcooler
11. Refrigerant outlet at liquid cubcooler
12. Intermediate pressure connection (Mp)
- DL. Discharge valve connection
- SL. Suction valve connection

Size Specification

| Model | Over | | Overall Dimension | | | | | Oil Volume L | Net Weight KG |
|--------------|-----------|---------|-------------------|------|------|--------------|------|-----------------|------------------|
| | Discharge | Suction | Long | Wide | High | Footing Size | | | |
| | mm | Inch | A mm | B mm | C mm | D mm | E mm | | |
| RFS-S4G-12.2 | 28 | 35 | 674 | 491 | 492 | 381 | 305 | 4.5 | 179 |

RFS-S6H-20.2~RFS-S6F-30.2

Dimensional Drawing



1. Low pressure connection (LP)
2. High pressure connection (HP)
3. Oil high pressure connection
4. Oil low pressure connection
5. Oil return (join oilseparator)
6. Oil drain
7. Equalization (parallel operation)
8. Crankcase heater
9. Connection for differential oil pressure
10. Refrigerant inlet at liquid cubcooler
11. Refrigerant outlet at liquid cubcooler
12. Intermediate pressure connection (Mp)
- DL. Discharge valve connection
- SL. Suction valve connection

Size Specification

| Model | Over | | Overall Dimension | | | | | Oil Volume L | Net Weight KG |
|--------------|-----------|---------|-------------------|------|------|--------------|------|-----------------|------------------|
| | Discharge | Suction | Long | Wide | High | Footing Size | | | |
| | mm | Inch | A mm | B mm | C mm | D mm | E mm | | |
| RFS-S6H-20.2 | 35 | 42 | 850 | 545 | 528 | 381 | 305 | 4.8 | 221 |
| RFS-S6G-25.2 | 35 | 42(54) | 850 | 545 | 528 | 381 | 305 | 4.8 | 234 |
| RFS-S6F-30.2 | 35 | 42(54) | 850 | 545 | 528 | 381 | 305 | 4.8 | 235 |