

NOTES1:

- UL Standard
- 1. Rated voltage/current : 300V / 10A
- 2. Withstanding voltage : AC1600V/1Min.
- 3. Wire range : 28~14AWG

IEC Standard

1. Pollution degree	2	2	3
Overvoltage category	II	III	III
Rate impulse voltage(KV)	2.5KV	2.5KV	2.5KV
Rate voltage(V)	400V	160V	130V
Rate current(A)	10A		

2. Wire range : 0.2~1.5mm²

NOTES2:

- 1. Dimension shall be interpreted per ASME Y14.5-2009
- 2. Pitch : 3.50mm, Poles : N=02~24P
- 3. Stripping length : 6~7mm
- 4. Operating temperature: -40°C~+105°C
- 5. Undimensioned tolerances:

Pitch range in mm		Nominal dimension range in mm			
Over	Over	Over	Over	Over	Over
6	10	30	60	100	150
TO	TO	TO	TO	TO	TO
6	10	24	30	60	100
					150
					±1.30
					±1.30
					±1.30
					±2°

6. RoHS Compliance

Ordering Information

JL8EDGKG - 350 XX E 01

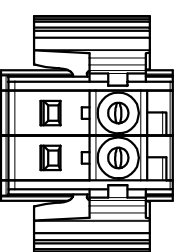
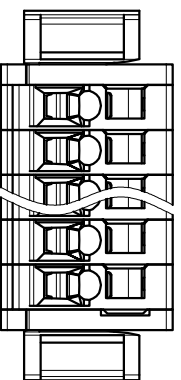
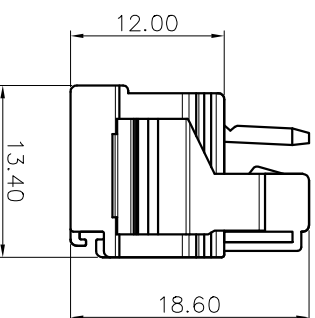
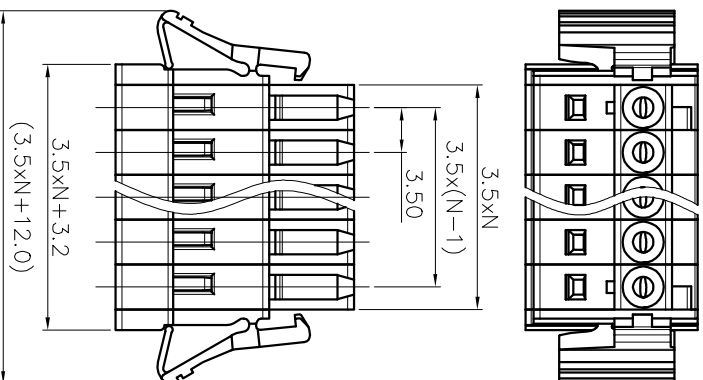
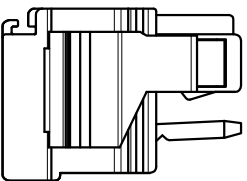
Pitch
350=3.5H

No. of pins
2P~24P

Housing Color

Packing
0=Per bag
T=Tube
A=Tray

B=Black
G=Green
U=Blue
R=Red
W=White
Y=Yellow
D=Orange
E=Grey



02P

REVISION RECORD				
REV	ECN	DESCRIPTION	DRFT	DATE
A		NEW		22.3.24

深圳扬讯电子有限公司

DRAW	SHUANGPING ZHENG	SCALE	FIT	PART NO.	JL8EDGKG-350XXE01
CHECK	LICHAD LIU	UNIT	mm		
APPROVE	YONGLIANG GAO	SIZE	A4	TITLE:	JL8EDGKG-3.5-XXP插拔式母座/孔型
		SHEET	1/1		连接器/带法兰钩子/灰色 93803