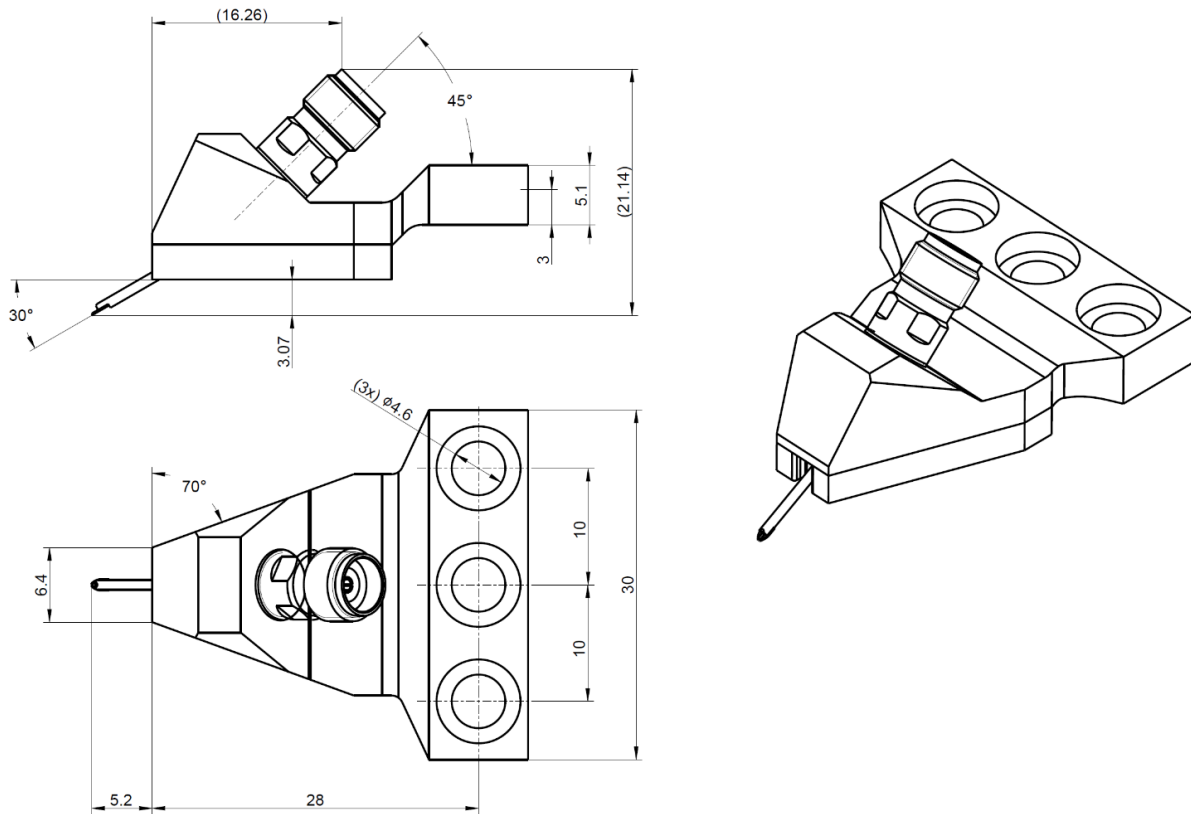


High frequency probe 40GHz, GSG configuration



- all the dimensions are in mm. Tolerance: +/-0.25

Configuration

Connector	2.92 female
Probe Material:	
-Probe tip	BeCu, Gold plating
-Body	Aluminum Alloy
Probe tip width	30um
Overtravel	50um~75um

Electrical Characteristics

Impedance	50 Ω
Frequency Range	DC to 40 GHz
Return Loss	>18 dB @ DC to 40 GHz;
Insertion Loss	<0.7 dB @ DC to 40 GHz

Environment Data

Working Temperature	-45°C to +85°C
RoHS	Compliant

Order Information

Dloorplf P/N	Dloorplf Description
2.92-A-GSG-100	45 Angle GSG Probe, 100um pitch, DC to 40 GHz
2.92-A-GSG-150	45 Angle GSG Probe, 150um pitch, DC to 40 GHz

CONTACT US
 sales@dpfcable.com
 http://www.dloorplf.com
 KUNSHAN DLOORPLF ELECTRONIC TECHNOLOGY CO., LTD



昆山德普福电子科技有限公司
 KUNSHAN DLOORPLF ELECTRONIC TECHNOLOGY CO., LTD