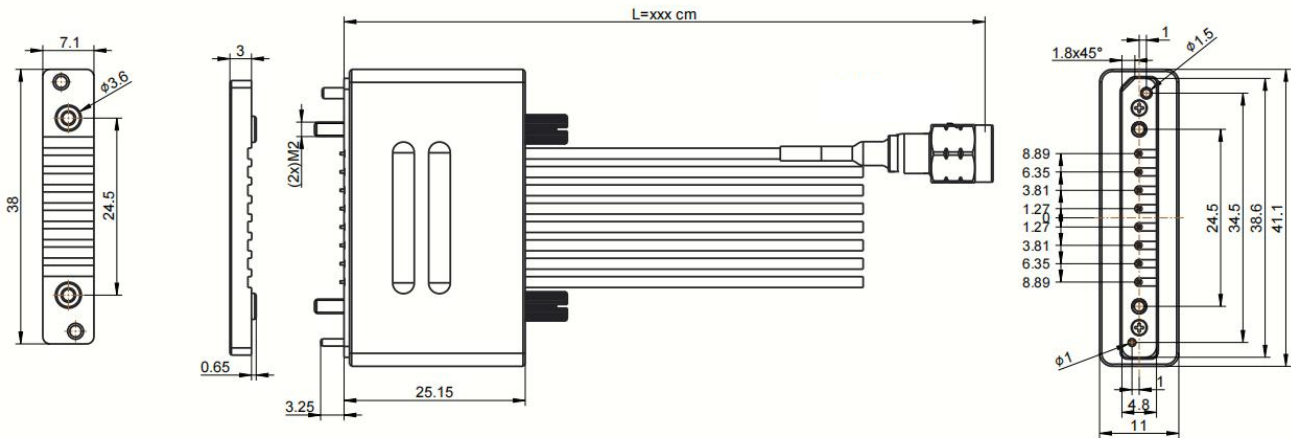


Multi-coaxial Cable Assembly Datasheet



RCM7-SD08-xxxS-6YE



Configuration

Connector 1 Type	SLC70 Male, acc.to Dloorplf internal interface
Connector 2 Type	1.85mm Male
Connector Body1	Aluminum Alloy/Anodizing
Connector Body2	Stainless steel (SUS303), Passivation
Cable Type	Low Loss Stable Phase
Cable Diameter	2.3mm

Electrical Characteristics

Impedance	50Ω
Frequency Range	DC to 67GHz
Return Loss	TBD
Insertion Loss	≤0.07dB/cm x Length (cm)+1.6dB, DC to 67GHz
Different cable phase match	±8 Degree Max

Mechanical Properties

Mechanical Life	100 cycles
-----------------	------------

Environment Data

Working Temperature	-40℃ to +125℃
---------------------	---------------

CONTACT US
sales@dloorplf.com
http://www.dloorplf.com
KUNSHAN DLOORPLF ELECTRONIC TECHNOLOGY CO., LTD

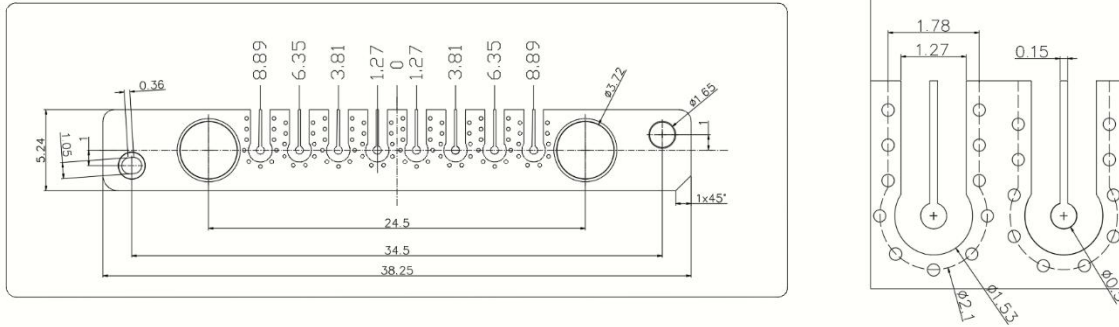


昆山德普福电子科技有限公司
KUNSHAN DLOORPLF ELECTRONIC TECHNOLOGY CO., LTD

Multi-coaxial Cable Assembly Datasheet



PCB Layout Dimensions



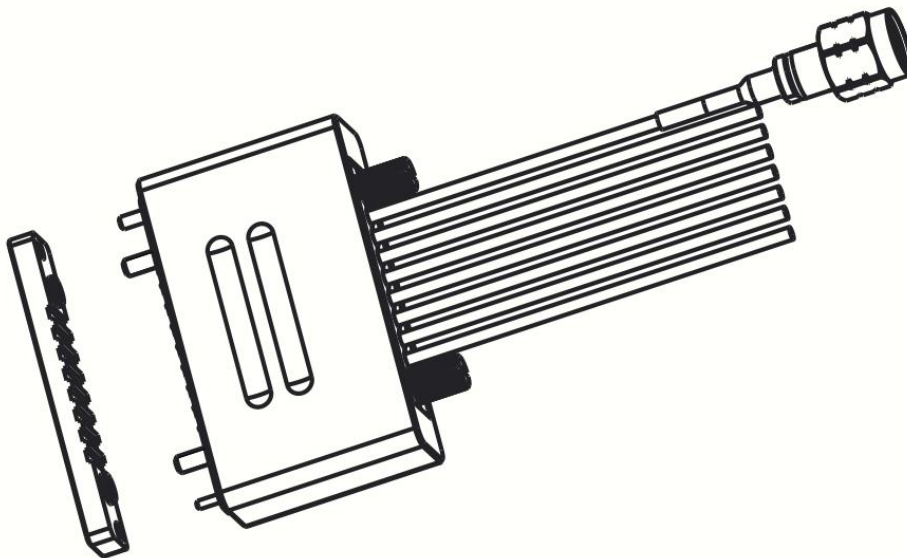
Notice:

The given layout is not optimized to fit all of the possible board configurations regarding RF-performance, it represents a recommendation for optimum solderability of the connector. In order to guarantee optimum high frequency properties of the connector, an RF-analysis of the connector to board translation is recommended.

Order Information

Dloorplf P/N	Dloorplf Description
RCM7-SD08-020S-6YE	Multi-coaxial Cable Assembly, SLC70(M) breakout to 1.85(M),1x8, DC to 67GHz, length 20cm
RCM7-SD08-030S-6YE	Multi-coaxial Cable Assembly, SLC70(M) breakout to 1.85(M),1x8, DC to 67GHz, length 30cm
RCM7-SD08-xxxS-6YE	Multi-coaxial Cable Assembly, SLC70(M) breakout to 1.85(M),1x8, DC to 67GHz, length xxx cm

Product 3D View



CONTACT US
 sales@dloorplf.com
 http://www.dloorplf.com
 KUNSHAN DLOORPLF ELECTRONIC TECHNOLOGY CO., LTD

Dloorplf 昆山德普福电子科技有限公司
 KUNSHAN DLOORPLF ELECTRONIC TECHNOLOGY CO., LTD