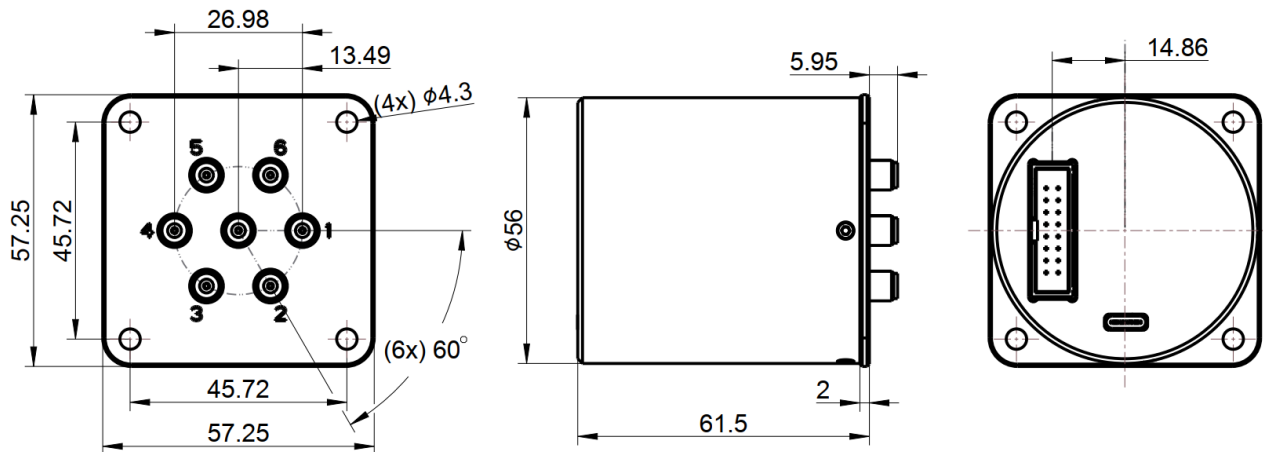


Coaxial Switch Datasheet



SWH-1P6T-40-0NT



Dimensions in mm

Typical Tolerance $\pm 0.5\text{mm}$

Draft

Configuration

Connector Type	2.92 Female
Connector Outer Contact	Stainless steel (SUS303), Passivation
Connector Center Contact	Beryllium Copper, Gold
Switch Sequence	Break-Before-Make
Switching Speed	$\leq 15\text{ms}$
Control Interface	Type-C /JTAG 2*8P (2.54) Female

Electrical Characteristics

Impedance	50 Ω
Frequency Range	DC to 40GHz
Isolation	$\geq -80\text{dB}$ DC-18GHz $\geq -70\text{dB}$ 18GHz-26.5GHz $\geq -65\text{dB}$ 26.5GHz-40GHz
VSWR	$\leq 1.5\text{dB}$ DC-18GHz $\leq 1.7\text{dB}$ 18GHz-26.5GHz $\leq 1.9\text{dB}$ 26.5GHz-40GHz
Insertion Loss	0.3dB+0.015x f(GHz), DC-26.5GHz 0.030x f(GHz)-0.1dB, 26.5GHz-40GHz
Supply Voltage	24VDC
Supply Current	200mA
Supply Current (Quiescent)	50mA

Coaxial Switch Datasheet



Mechanical Properties

Contacting Mating Cycle	500 times
Operating Life	2 million Cycles Measured In 25 °C

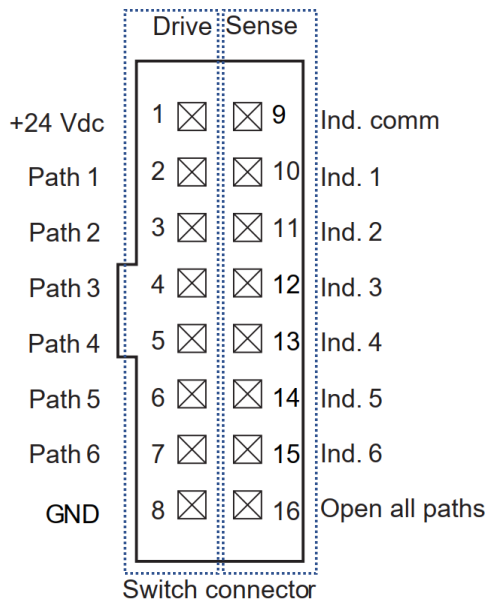
Environment Data

Working Temperature	-25°C ~ +75°C
Storage Temperature	-55°C ~ +85°C

Order Information

Dloorplf P/N	Dloorplf Description
SWH-1P6T-40-0NT	SP6T Coaxial Switch 2.92 Connector Normally open have Load Non-TTL, Common GND, DC-40GHz

Standard drive



Draft

Notes:

- 1、 Connect pin 1 to 24 VDC;
- 2、 Connect pin 15 to GND;
- 3、 Select (close) desired RF path by applying ground to the corresponding "drive" pin; for example, ground pin 2 to close RF path 1.