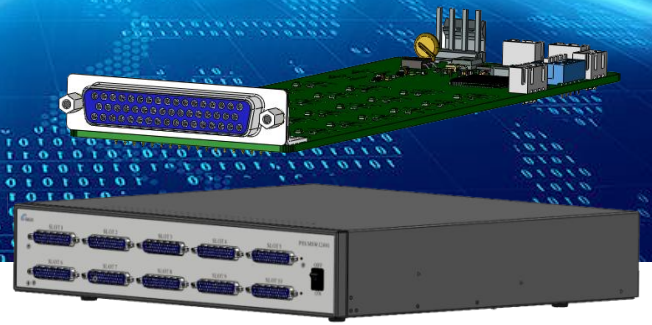


PSS MUX07071

Electric switch card ▶▶▶

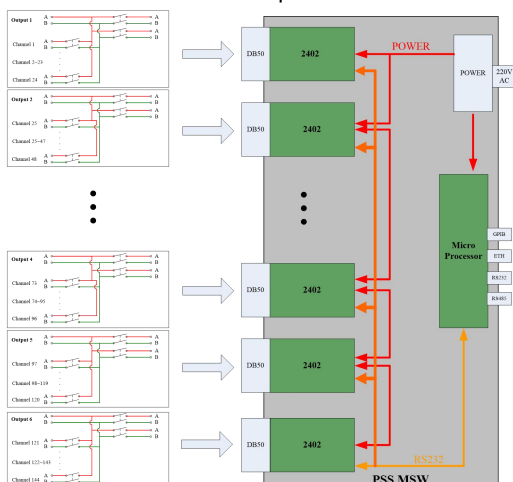


Product Introduction

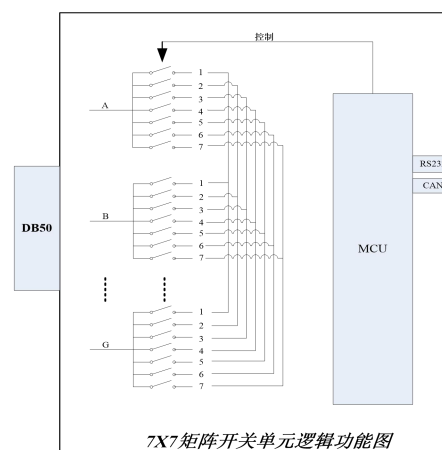
MUX07071 is a 7X7 matrix electric switch card, which is mainly used for arbitrary switching of multiple lines in complex situations. It is the most flexible structure among various switch structures. The electric switch card needs to be equipped with an electric switch host, which can be applied to MSW -1 type (10 card slots) and MSW-2 type (4 card slots) mainframes, the number of electrical switch cards can be configured according to the needs, and an efficient multi-channel switching system can be built conveniently and quickly.

Product Application

- Multi-channel test system, such as TO multi-channel test, TOSA TE/TC test, etc.
- Multi-channel data acquisition front-end



Electric switch host block diagram



0707 matrix switch card

Product Features

- The host adopts a dynamic and configurable structure, supporting up to 10 slots of electrical switch cards
- Various remote interfaces, can choose to support RS232/LAN/GPIB communication interface
- Support switching and upgrading, and can upgrade subsequent types of electrical switching cards
- Graphical PC-side software support, easy to use

Technical Parameters

Parameters	Description/Value
Switch scale	7X7 (single channel)
Maximum flow capacity	5A/30VDC 5A/250VAC
Switching time	100ms
Contact resistance	<1ohm (typical value: 200mohm)
Switching life	Min.10 ⁵ (3A/250VAC,30VDC) Min.5x10 ⁴ (5A/250VAC,30VDC)
Switching contact voltage	10uV
Impedance between channels	10 ³ ohm
Bandwidth	5MHZ (without connecting wire)
Crosstalk between channels	<-50dBC (under condition of 200KHz)
Conditions of Use	0~45°C (Relative humidity <60%)