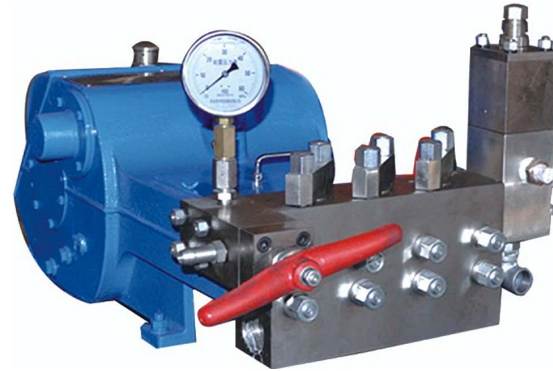


3D2-S Model

3D2-S Model

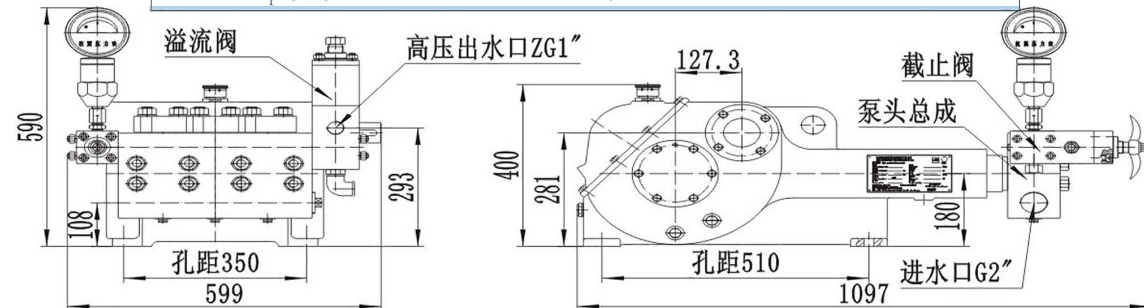
3D2-Sseries high pressure pumps are small in size and compact in structure; power ends adopt splash or forced lubrication with a stable and reliable transmission, reducing the friction coefficient and improving the lubricity; power ends temperature rise are low, suitable for long time continuous operation; it can pump clear water, emulsion, and other chemical liquid similar with clear water.



These pumps are applied to coal excavation with high pressure water jetting, hydraulic liquid supply under the well, high pressure water jetting, metallurgy descaling, powder metallurgy, ship hull derusting, basic engineering, liquid transportation, engineering and pressure test for various rubber hose, metal tube and oilfield drilling equipment as well.

Rotational Per Min RPM		1480		Piston Distance mm		95	
Gear Reduction Ratio i		3.652		Gear Reduction Ratio i		2.963	
Pump Speed r/min		405		Pump Speed r/min		500	
Power kW		30 37 45 55 75 90		30 37 45 55 75 90			
Rated Flow							
m ³ /h	L/min					L/min	m ³ /h
1.62	27	50				18	43
2.04	34	43				20	35 43
2.4	40	37	46			22	30 36 45
2.94	49	30	36	45		24	23 30 37 46
3.12	52	28	35	42	52	25	22 28 35 42
3.42	57	26	32	40	48	26	21 26 32 40
3.96	66	23	28	34	42	28	18 22 28 33 46
4.5	75	20	25	30	36	30	16 19 24 30 40 48
5.1	85	17	22	26	34	32	14 17 22 26 36 45
6.12	102	15	18	22	28	35	12 15 18 22 30 36
7.26	121	12	15	19	23	38	10 12 15 18 25 30
8.1	135	11	14	17	21	40	9 11 14 17 24 28
9	150	10	12	15	18	42	8 10 12 15 20 24
10.2	170	9	11	14	17	45	7 9 11 13 18 22
10.8	180	8	10	12	15	46	6 8 10 12 17 20
11.6	194	7	9	11	14	48	5 7 9 11 14 17
12.6	215	7	8	10	13	50	5 7 9 11 14 17

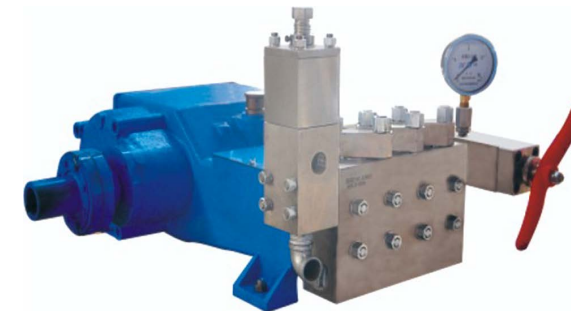
Pump GW:342 KG Base Holder GW:116 KG



3D1-S Model

3D1-SM Model

3D1-S series high pressure pumps are suitable for pipe cleaning, work-piece cleaning, sand cleaning, derusting, liquid transportation, liquid transmission and engineering excavation etc., as well as pressure test for a variety of hoses, metal pipes, oilfield drilling equipment. It can pump clear water, emulsion, and other chemical liquid similar with clear water.



Rotational Per Min RPM		1480		Piston Distance mm		60	
Gear Reduction Ratio i		3.650		Gear Reduction Ratio i		2.917	
Pump Speed r/min		400		Pump Speed r/min		500	
Power kW		7.5 11 15 18.5 22		Piston Diameter mm		7.5 11 15 18.5 22	
Rated Flow		Rated Pressure MPa		Rated Pressure MPa		Rated Flow	
m ³ /h	L/min					L/min	m ³ /h
1.02	17	20	27			18	16 22 28
1.26	21	17	24	28		20	14 20 27
1.50	25	15	22	26	28	22	12 18 25 28
1.80	30	13	18	25	27	24	10 12 22 24 28
1.92	32	12	17	22	26	25	9 14 18 24 27
2.40	40	9	14	18	24	27	8 11 15 18 22
2.88	48	8	12	16	20	23	7 10 13 16 18
3.30	55	7	10	14	17	20	6 9 11 14 17
3.96	66	6	9	12	15	17	5 7 10 12 14
5.10	85	5	7	9	11	13	4 6 8 9 11
6.30	105	4	6	8	9	11	4 6 8 9 11
7.92	132	2.5	3.5	5	6	8	2 3 4 5.5 6

Pump GW: 271 KG Base Holder GW: 90kg

