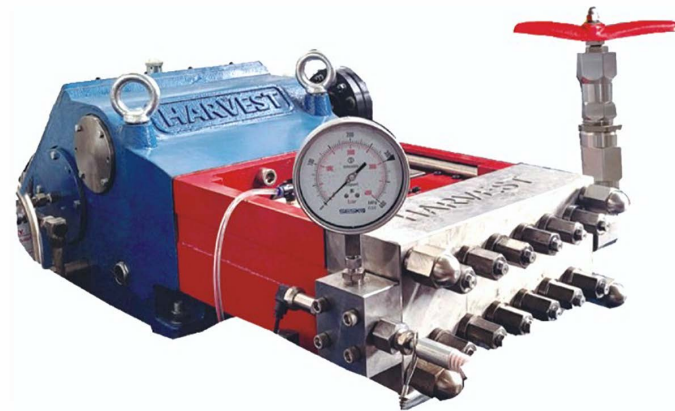




HW200E-S Model

HW200E-S Model

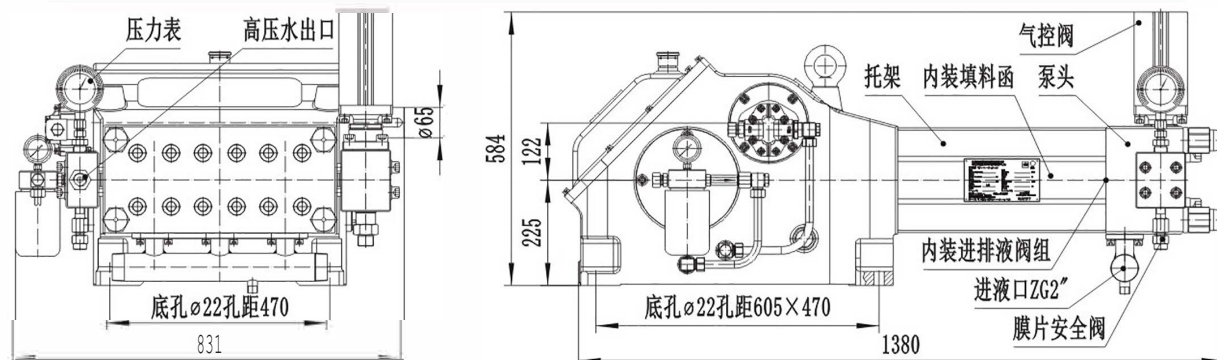
HW200E-S series high-pressure plunger pumps are based on 3D3 power end, matched with new liquid end, independent research and designed by our company, pressure up to 2700bar, it is a new product.



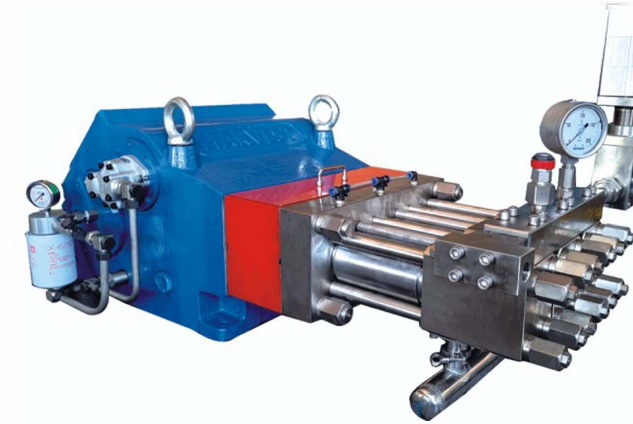
Characteristics:

1. Straight through liquid end, advanced technology, reasonable design and high efficiency.
2. Highly sealed material, with pressure self-adjusting pre load, automatic seal compensation.
3. It is durable with carbide plunger.
4. Easy to maintain, one person can complete the liquid end maintenance and replace the wearing parts
5. The liquid end parts are made of precipitation hardened martensitic stainless steel, which is reliable and durable.
6. This pump is matched with new diaphragm type safety valve (original imported diaphragm), which is easy to operate, safe and reliable.
7. This series of products can deliver 0-50't of clear water, emulsion and chemical liquids similar to clear water. This series of high pressure pumps are widely used in jet cleaning, power, powder metallurgy and other industries.

Rotational Per Min r/min RPM 1480				Rotational per Min r/min RPM 1800							
Gear Reduction Ratio i 4.04				Distance m m 120							
Pump Speed r/min 366				Pump Speed r/min 446							
Power kW		132 160 185 200		220 255 280							
Rated Flow		Rated Pressure MPa		Piston diameter mm		Rated Pressure MPa		Rated Flow			
m ³ /h	L/min					L/min	m ³ /h				
1.9	32	220	275			17.46	210	275	38	2.3	
2.3	38	180	228	250		19.05	183	220	250	46	2.7
2.6	44	160	190	210		20.64	170	195	210	54	3.2
Pump GW: 830 KG				Liquid Input Position: ZG2"							



HW200D-S Model



HW200D-S series high pressure plunger pumps are based on 303 power end, matched with new liquid end, independent research and designed by our company, pressure up to 1600bar, it is a new product.

Characteristics:

1. Straight through liquid end, advanced technology, reasonable design and high efficiency.
2. Highly sealed material, with pressure self-adjusting pre load, automatic seal compensation.
3. It is durable with carbide plunger. Easy to maintain, one person can complete the liquid end maintenance and replace the wearing parts.
4. The liquid end parts are made of precipitation hardened martensitic stainless steel, which is reliable and durable.
5. This pump is matched with new diaphragm type safety valve (original imported diaphragm), which is easy to operate, safe and reliable. This series of products can deliver 0-50't of clear water, emulsion and chemical liquids similar to clear water. This series of high pressure pumps are widely used in jet cleaning, power, powder metallurgy and other industries

Rotational Per Min r/min RPM 1480				Rotational Per Min r/min RPM 1800									
Gear Reduction ratio 4.04				Piston Distance 120									
Pump Speed 366				Pump Speed 446									
Power kW		90 110 132 160 200		132 160 185 220 255		Power kW							
Rated Flow		Rated Pressure MPa		Piston Diameter mm		Rated Pressure MPa		Rated Flow					
m ³ /h	L/min					L/min	m ³ /h						
2.5	41	115	140	155		20	105	125	135	155		50	3.0
3.0	50	98	120	130	155	22	88	105	120	140	150	61	3.7
3.6	60	80	100	115	145	24	75	88	95	118	145	73	4.4
3.9	65	75	90	108	132	25	65	75	85	100	142	79	4.7
4.2	70	70	85	100	120	26	60	70	80	95	130	85	5.1
4.5	75	65	80	90	105	27	58	66	76	90	118	92	1.6
4.9	81	60	75	87	105	28	52	63	72	87	110	99	5.9
5.6	93	52	60	75	92	30	45	55	64	75	93	113	6.8
6.4	106	45	55	66	80	32	40	48	55	65	82	129	7.7
Pump GW: 830 KG				Base holder GW: 220 KG				Liquid input position: ZG2"					

