

## Product summary



**Mclams**  
麦林斯

New fresh air system

Mclams

Guangdong Mclams Technology Co., Ltd.  
Guangdong Jiake Ventilator Co., Ltd

Factory Address: Yingming Industrial Garden, Shatou, Jiujiang  
Town, Nanhai District, Foshan, Guangdong  
Marketing Department address: Cyber park, Guicheng Street,  
Nanhai District, Foshan City, Guangdong Province  
Direct Line: +86 757 85132138  
Fax: +86 757 85132138-020  
Website: <http://www.mclams.com>  
E-mail: [sales@mclams.com](mailto:sales@mclams.com)

Stock NO.: 833202

Global hotline: 4006-814-808



# Mclams Group

Subsidiary company:

Guangdong Mclams Technology Co., Ltd.

Guangdong Jiake Ventilator Co.,Ltd

Corporate marketing strategy:

The perfect interactive strategy online and offline



# Jiake group

Guangdong Jiake Ventilator Co., Ltd., established in 1984, is the earliest technology-based enterprise producing ventilation equipment in China. In August 2015, it successfully listed on the New Third Edition, stock code 833202

## Thirty-five years of focus:

High Speed Rail, light rail, metro rail, inter city trains and other ventilation equipment, electric buses, air conditioning fans, fresh air systems, ventilation equipment. Focus on all above product development, production and manufacturing.

## Certification:

China Railways CRCC Certification, National High-Tech Enterprise Certification, National Innovation Fund and Guangdong Private Technology Enterprise Title Passed the global authority TUM's European animal science system RS certification and the European boiling welding EN15085. National fire ventilation. Certification of inspection center, national wind laboratory certification, SO9001:2000 international quality system certification, SO4001 certification, CE certification, NF certification, 3C certification, also has more than 20 national patent technology, three invention patents technology and other domestic recognition.

## New Fresh air system:

Central Fresh Air System: This system can ensure that all types of houses work continuously and 24 hours a day, 365 days a year in a low-energy way. When the indoor dirty air is discharged, the treated fresh air is introduced from the outside to ensure a healthy indoor air quality, and according to the actual needs of the human body and the indoor environment, automatically control and adjust the intake and exhaust air volume, to minimize energy consumption.

Central vacuum system: Jiake Central vacuum system is a completely new indoor cleaning method, which is composed of suction host, suction pipe network, vacuum cleaner, dust hose and brush head integrated dust absorption system. The user only needs to insert the suction hose into the suction socket and switch on the handle. The bacteria and so on will be sent to the dust suction mains away from the living space through the dust collecting pipes buried in the walls.

## Domestic subway project:

The rail train ventilation system has been used in Guangzhou metro, Beijing metro, Shanghai metro, Shenzhen metro, Tianjin metro, Chengdu. Iron, Changsha subway, Chongqing subway, Wuhan subway, Hefei subway, Qinghai Tibet railway, Qingdao city car, Dalian city car, RH EMU, CRH380 high speed rail. Italy Milan, New Zealand Wellington, Chile Santiago, Holland Amsterdam More than 100 high-speed railways, including Athens, Lima, Thailand, Bangkok, India New Delhi and Japan east Wu Railway. Rail transit projects such as motor vehicles, subway, light rail and inter city trains.

## Honor cooperation project:

2008 Beijing Olympic Games, 2010 Asian Games, 2011 Shenzhen Universiade, 2014 Nanjing Youth Olympic Games and other urban transport.

## Corporate purposes:

As for the opportunities and challenges for the future, the company has always been: "constantly innovating, improving ourselves and meeting the higher needs of our customers." Our aim is to provide customers with better products and services.



Focus on:

Create a comfortable and healthy indoor air environment

Leading the product:

New air system, central fresh air system, air purifier

Qualification certification

Quality management system certification

Environmental management system certification

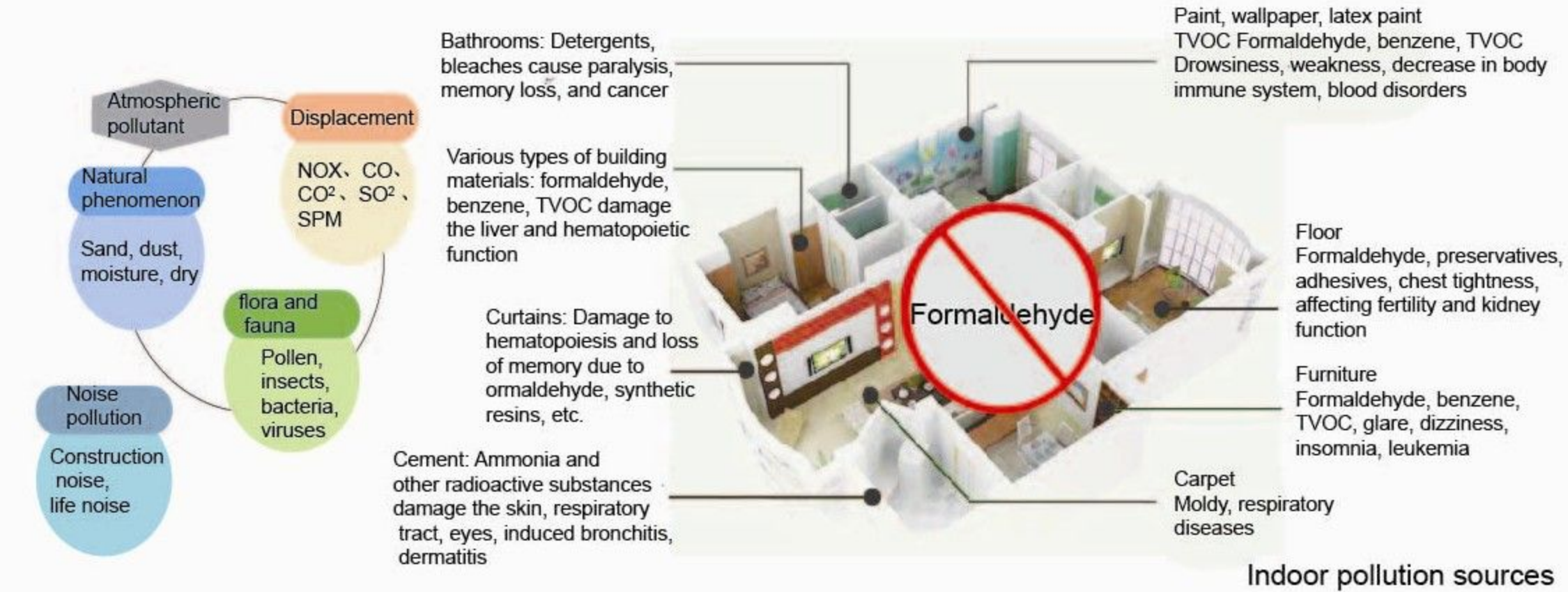
Certification of occupational health and safety management system

Cooperative partner

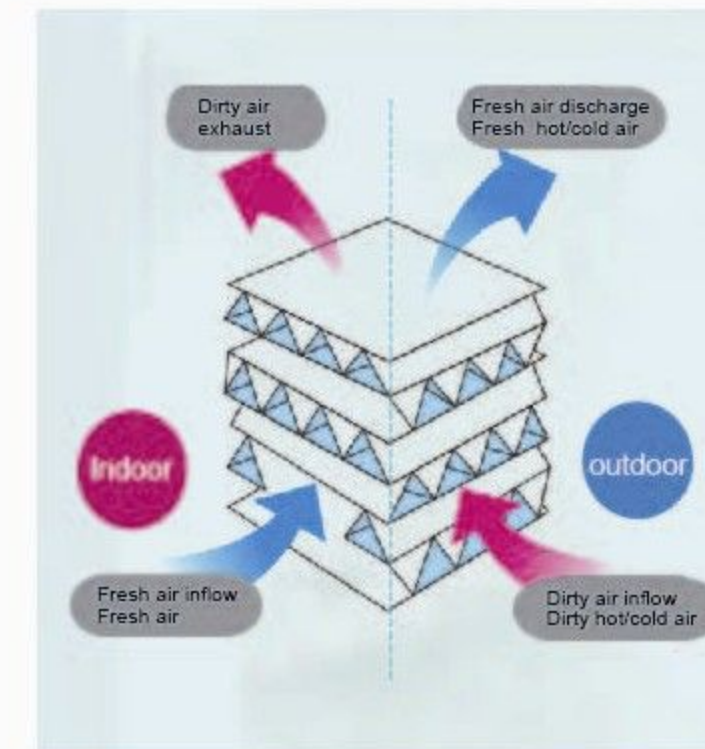
**PM2.5**  
Air expert

Control indoor polluted air sources

Plays an important role in our well-being and comfort



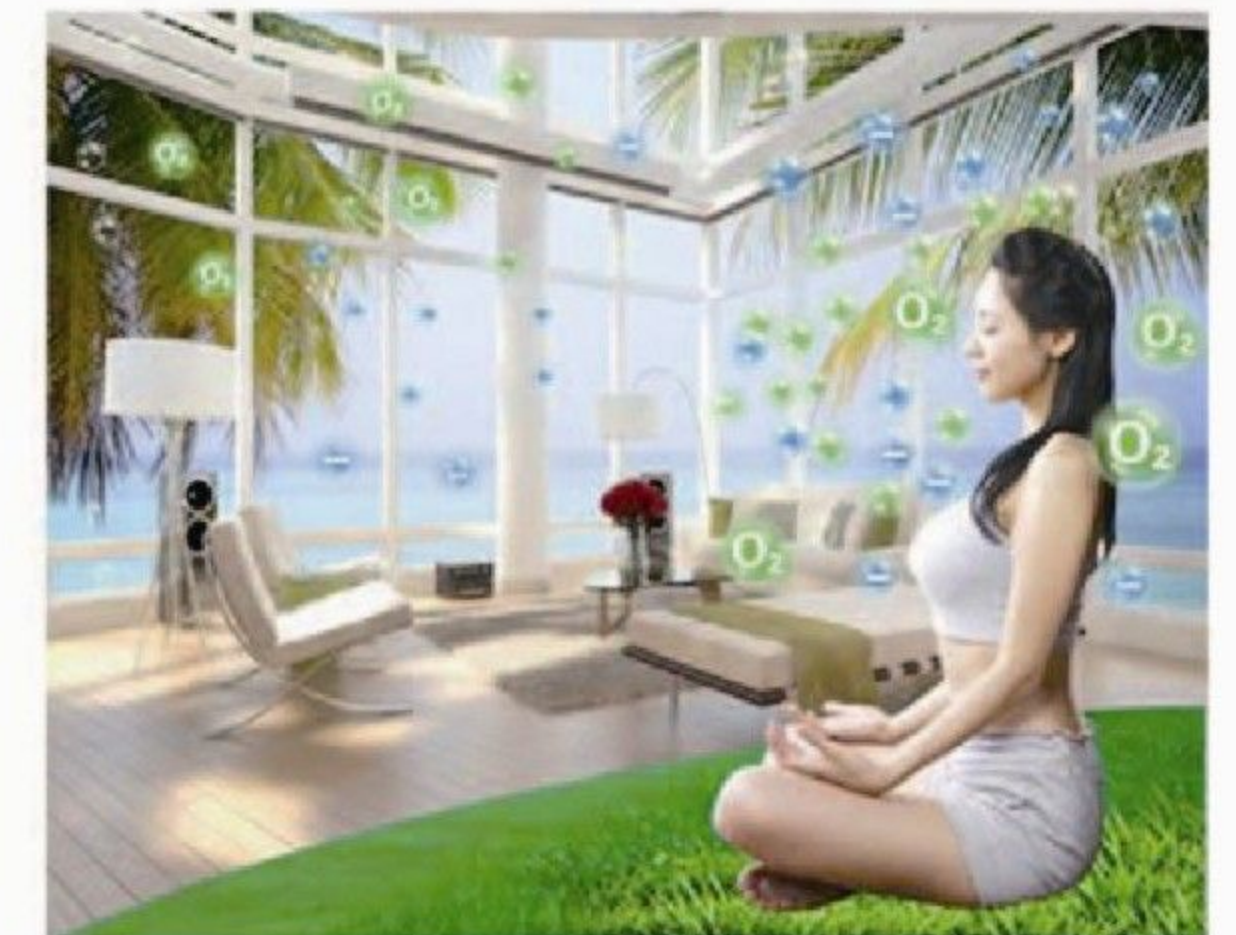
Indoor pollution sources



Fresh air ventilation principle

The fresh air system is based on the use of a dedicated fan in the closed room to send fresh air to the room, while another dedicated fan will discharge the contaminated air on the other side, both intersect across the heat exchange core, the chip transmits two streams of Between the heat and moisture (without mixing), saving heating costs in the winter, saving cooling needs in the summer, maintaining a constant level of indoor, thus meeting the needs of the indoor fresh air change.

Fresh air system indoor and outdoor circulation ventilation, Purifying the living environment and bring you a different home!



## Fresh air system

The fresh air system filters outdoor air and discharge indoor. At the same time, it discharges the unfiltered air outdoor, there are duct fresh air system and the ductless fresh air system. The fresh air from outdoor is exchanged with the air indoor as the air is already contaminated. To ensure the freshness of the indoor air and reached the requirement level, The air entering the room is filtered, eliminated, and sterilized while the air is being supplied.



## New air system combination parts

— Fresh air  
— Contaminated air

Recommended product portfolio: Fresh air ventilator + Duct + Inlet + Total heat exchanger + Blower+ Pipe fan+ Natural air inlet



Ultrathin full heat exchanger + Bidirectional flow fresh air blower + One-way flow fresh air blower + Round natural air inlet

## Fresh air system special parts

Bidirectional tube cover Fresh air purification box Round natural air inlet Square tube cover Tube cover Round air outlet Centralized return air box  
LCD controller Angle inlet Air intake Square natural intake inlet

The exquisite Mclams fittings are used in conjunction with mainframes such as full heat exchangers and blowers from Mclams to achieve better performance.

**Round exhaust air outlet:**  
Installed on the ceiling, the full heat exchanger or blower can forcefully discharge the room's dirty air during operation.

**Round natural air inlet:**  
◆ Cylindrical plug-in design for higher stability  
◆ Push-type panel design, easy operation  
◆ Filter design, indoor air is more fresh  
◆ Air deflector anti-pollution type to keep the wall clean



Installed on the wall "Air inlet". When the fresh air system is in operation, a filter can be installed to separate the sundries and give fresh air to the space.

**Round Intake air inlet**  
Installed on the ceiling, fresh air is introduced into the room through a total heat exchanger

**Square natural air inlet**  
◆ Open and close elasticity, easy to fall off after installation  
◆ Fixed slot structure is hard to break  
◆ Adjustable size outlet after opening, convenient and practical

The Mclams provides you multiple ventilation solutions with fresh air system total heat exchanger which effectively ventilates the entire house, achieving high efficiency and energy saving, enjoy a safe, healthy and comfortable life.

**Bidirectional flow fresh air system**    Total heat exchanger    Energy recovery system    Mechanical air intake + unloading and exhausting

**Total heat exchanger Overall ventilation**

Through 24-hour continuous air exchange, the entire residence is kept in a fresh air circulation, and air is exchanged by a total heat exchanger. Even if it is used for cooling and heating, energy (including latent heat and sensible heat) is not easily lost to achieve providing you with comfortable, energy-saving changes.

**Smart full heat exchanger**  
**Fresh air, new realm**  
 According to indoor and outdoor temperature conditions, automatically select the appropriate operating mode to achieve energy-saving, comfortable effect.

**Thin total heat exchanger**    **Total heat exchanger - Continuous heat exchanging type**  
 The main unit is installed in the ceiling of the hallway and leads away from the bedroom. Low noise design allows the machine to operate without affecting the desired life..

**One-way flow fresh air system**    PM2.5 Purifying supply air fan    Mechanical air intake + Discharge type exhaust

**PM2.5 Purge-type intake fan overall ventilation**

PM2.5 purification fan will be used to fresh the outdoor air through the PM2.5 filter to indoor, sending fresh air into every corner of the home while achieving simplified piping.

**PM2.5 purification supply air fan**  
**PM2.5 New fresh air fan**  
 Equipped with PM2.5 purification filter, it can effectively prevent PM2.5 from entering the room, making your living environment safer and fresher.

## Purified central fresh air system

High efficient removal of formaldehyde  
 Heat recovery and continuous introduction of new oxygen rich wind  
 Intelligent liquid crystal switch, intelligent operation, economical and practical

## Intelligent remote control

- 1. Continuous monitoring of air quality**  
 Continuous monitoring of gas sensors, extremely sensitive to volatile organic gases (VOC) such as formaldehyde, benzene, and ammonia in indoor air. Rapid response to odors such as tobacco, gas, respiratory products, and skin excretion
- 2. Intelligent control**  
 When the concentration of indoor air pollutants reaches the design action level, the ventilation equipment is controlled to automatically change the air, and the ventilation equipment is automatically stopped when it recovers below the action level, and can be automatically adjusted according to the pollution index. The higher the index, the higher the wind speed. .
- 3. Automatic cycle timing**  
 It can manually set the boot time and standby time, automatic cycle timing ventilation.
- 4. Speed regulation**  
 The wind speed can be set artificially and is controlled intelligently. The higher the pollution index, the higher the wind speed.
- 5. Temperature and operation state display**  
 Display real time temperature (optional) and fan running state



## PM2.5 Purification Wall Mounted Heat Exchanger

The wall-mounted new fan is designed to exhaust of individual rooms. Applicable to home renovation and commercial space. No need to connect indoor pipes, thus avoiding the problems of a series of installations and piping arrangements brought about by the traditional pipeline centralized products.

**Purification + replacement solution**  
Perfect combination of indoor air pollution

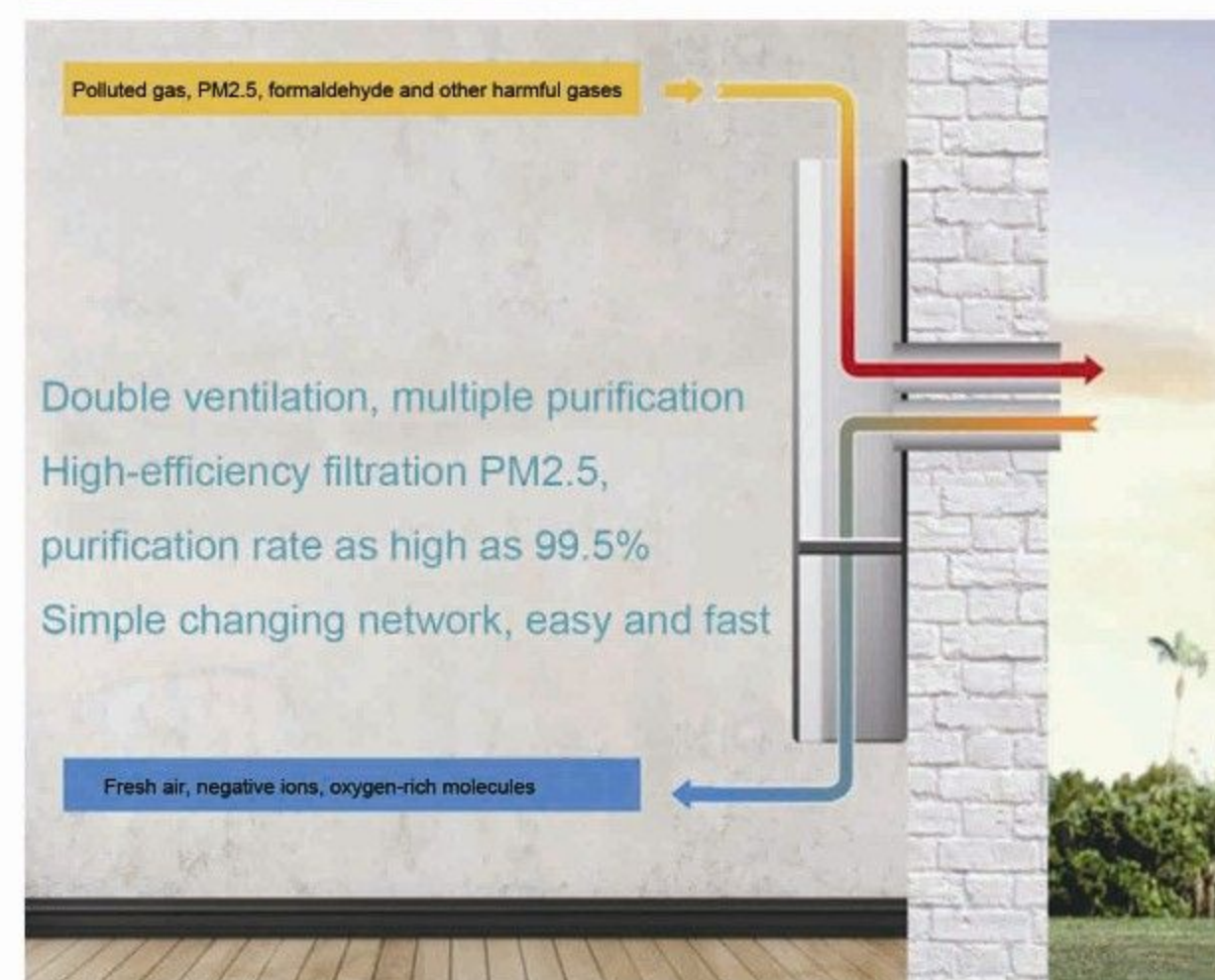
ENJOY ENERGY-SAVING FRESH AIR

Purify the air in the home while introducing fresh air

Wall-mounted fresh air fan give you and your family a park-like atmosphere of pure oxygen

- Introduce fresh oxygen-enriched gas
- Low noise and quiet operation
- Repel indoor pollution sources
- Reduce indoor mold breeding
- Isolated outdoor dust and noise
- Efficient filtration of PM10/PM2.5

## working principle



## Professional casting, fine products



All metal body

HEPA activated carbon composite filter



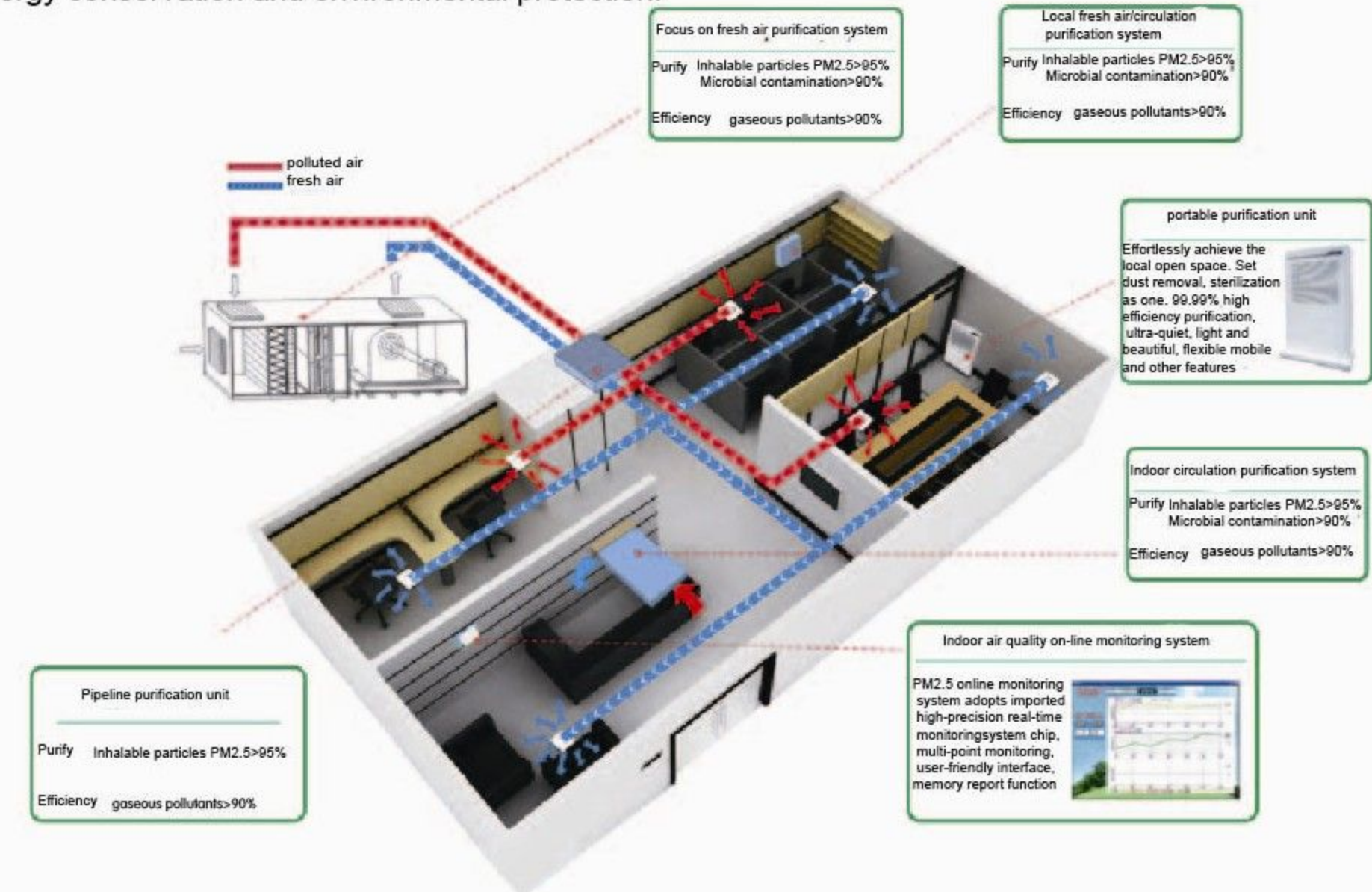
with exhaust dual pipe

Intelligent Control System

## Commercial Ambient Air Purification Solution

The PM2.5 indoor air solution is mainly for commercial and residential building to control of particulate matter, microbial contamination, and gaseous pollutants. To ensure that customers can enjoy the best products, the best design and services according to the actual field survey and measurement, simulation data, custom solutions, production model, professional construction, after-sales service and other aspects of emphasis on turnkey projects.

To meet the customization needs of various air conditioning systems and air purification, Mclams, as a professional system solution Solve and maintain suppliers, designed innovative products that combine physical adsorption with electrostatic filtration technology, and a number of invention patents, complete product line based on the concept of energy conservation and environmental protection.



## Campus Air Purification Solution

Adolescents are the future and hope of the country. It is especially important for children to grow up healthily during their teens and early childhood. Young people in our country spend about 1/3~1/2 of their time in school every day. Several rooms are important places for children to study and study every day. The quality of primary and secondary school classrooms' air quality is directly related to the children's physical and mental development. At present, China is in a period of rapid development, but the air quality problems brought about by economic development are not optimistic. Establishing a set of standards for air quality in primary and secondary school classrooms is of great significance for ensuring classroom air quality and the health of teachers and students. The density of students in primary and secondary schools is large and the content of CO2 in the classroom is generally high. Once the concentration of CO2 is too high, students will experience deeper breathing, frequent yawning, high blood pressure, poor coordination of body movements, poor memory, and poor concentration. Drowsy, severe breathing difficulties, confusion and other symptoms, so CO2 is an important indicator of classroom air quality standards.

critierion	Necessary ventilation (m³/h/人)		Air changes		CO2 Highest concentration
School and classroom ventilation standards (GB/T7226-1998)	primary school	11	550	applied ≥3 times/h	600
	junior high school	14	700	applied ≥4 times/h	792
	high school	17	850		
					1500

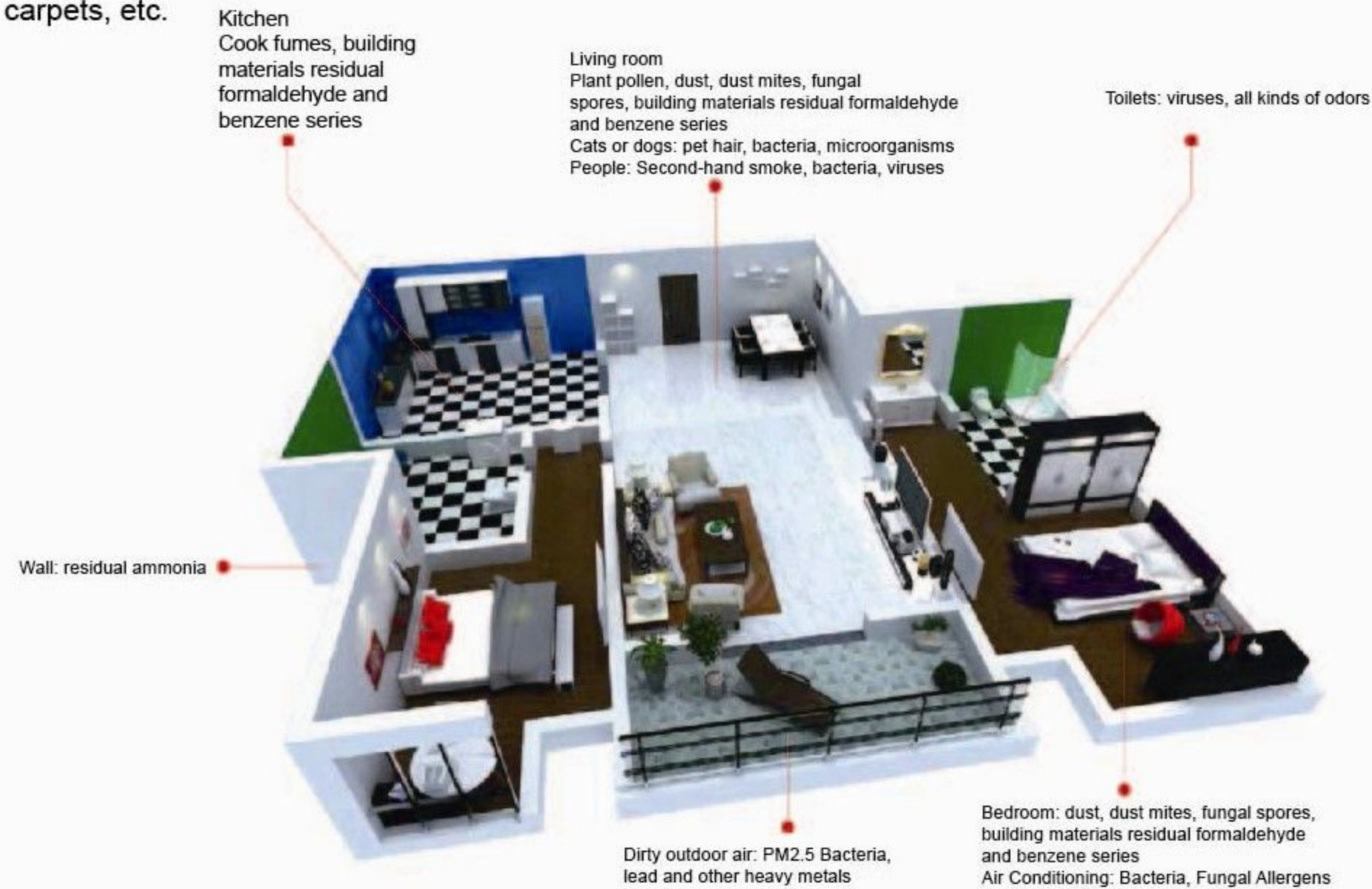
## Residential house air purification solution

The world's atmospheric environment is deteriorating. As a result, the disease has ravaged the world. Especially when we live in the indoor environment for a long time, the air quality is worse than outdoors. People spend 70% of their time indoors. Therefore, serious indoor pollution is not alarmist. The SARS epidemic gave us strong warnings and inspirations. People should correctly understand and attach importance to indoor air pollution.

Solving indoor air hazards is imminent, and numerous health killers are hidden in the indoor air: dust, bacteria, smoke, particulate impurities, insects, viruses, chemical gases, molds, odors... According to a survey of experts from the Chinese Academy of Preventive Medicine, the indoor air is considered Dirty materials include physical, chemical, and biological pollution, and their sources are mainly the use of consumer goods and chemicals, construction and decoration materials, and personal activities.

Such as

1. All kinds of fuel combustion, cooking fumes produced by CO<sub>2</sub>, SO<sub>2</sub>, NO<sub>2</sub>, respirable particles, formaldehyde, polycyclic aromatic hydrocarbons.
2. Ammonia, formaldehyde, benzene, toluene, styrene and other volatile organic compounds (VOCS) released from buildings, decorative materials, furniture, and household chemicals
3. Physical and chemical pollution caused by household appliances and certain office supplies.
4. Exogenous chemical pollutants such as CO<sub>2</sub>, ammonia compounds, and hydrogen sulfide that are exhaled by human exhalation, sweat, urine, etc., and flu viruses, Mycobacterium tuberculosis, Streptococcus, etc. that are ejected by coughing, sneezing, etc. Pollution.
5. Biological pollution caused by indoor utensils. Such as dust mites that grow in places such as bedding, carpets, etc.



## Precise equipment anti-corrosion treatment solution

Mclams is targeting microelectronics factories, such as semiconductor manufacturing and packaging clean rooms; or heavy industrial plants, such as the control room of pulp production workshops; and data centers, which not only face micron-sized particle contamination but also face nanoscale gaseous molecular contamination. Controlled environment. Mclams has a complete set of methods and means of detection, control and monitoring.

## Kitchen fume purification solution

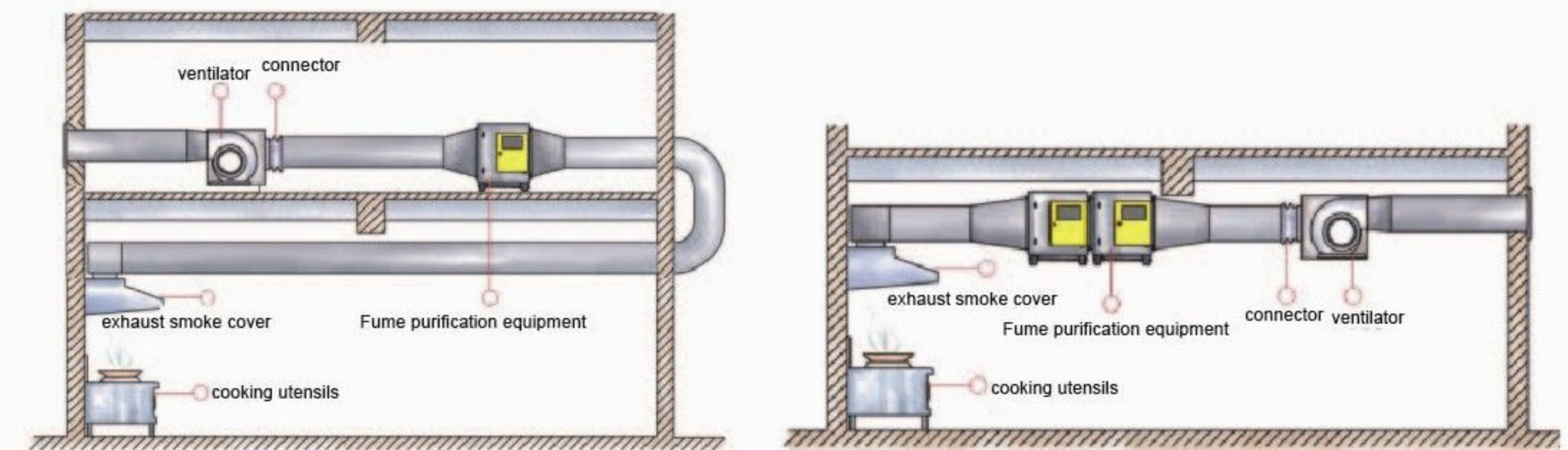
The contribution rate of catering fumes to PM<sub>2.5</sub> is 10.2% to 14.3%, becoming a pollution factor that cannot be ignored. Even the contribution rate of 10% is very significant, because catering companies are mainly concentrated in the core areas of the city, commercial areas, residential areas and other population-intensive areas, and low-level emissions, which virtually increase the impact of pollution on people. Restaurant fume pollution will cause great harm to health, because when the fumes into the human respiratory tract, can cause disease, medically known as soot syndrome, patients often suffer from loss of appetite, upset, lack of energy, lethargy, fatigue and other symptoms, long-term Inhalation of this harmful substance can induce cancer of the lung tissue.

### 8 Steps to Improve Kitchen Exhaust System



Mclams transformed the kitchen fume purification equipment and discharged the fumes into the atmosphere after electrostatic precipitators and sterilization. This demonstrated the green and friendly nature of the Mclams products. In addition, an optional activated carbon filter for odor control, UV lamp J for sterilizing oil-reducing fumes, etc.

## Kitchen Exhaust Filtration System



## Events

### Company listed in stock market in 2015



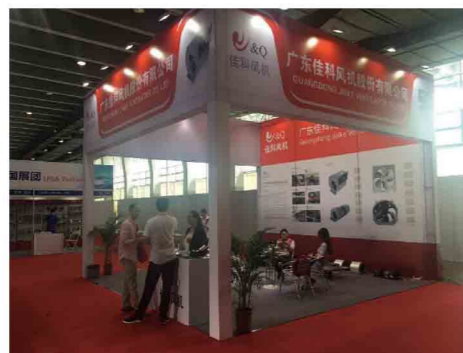
### Join German Exhibition, 2016



### Visit Comanys,2016



### Promotion Events,2016



## Partial Projects

Yuyi company

Ostrich company

Heshan ten miles radius villa

Foshan Hantian Technology City

Foshan MaiGou Company

Cangzhou Second Hospital

Foshan Agile Bati Island Duplex Apartment

Jiangxi Regency Country

Reputation Apartment

Xiqiao Bibo building clubs

Xiqiao Ruilong International Hotel

Bao Jie Plaza

Folium artemisiae argyi beauty salon

Hengda Golden World Hotel

Xingfu Plaza Yangtze Island Silver Hotel

Dazu Vantage Dynasty Hotel

Hechuan Vantage Dynasty Hotel

Jiefangbei Yangze Island Hotel

Leading Temple Tong Hui Hotel

Jiefangbei Thai restaurant

Shizhu Tian Yao Hotel

New Century Mall

Dianjiang DingFa Hotel

Tao Ranju Hotel

Qinglong Golf

Jiefangbei International Trade

Wanzhou Li Kee

Ah Hing restaurant

Mountain hotel

Dianjiang Ming Qing Fortune Center

Dianjiang prosperity

Fuling Heming Garden

Nine Bin Bafei feast

Chongbai Shopping Mall

Sichuan Wanxing Hotel

Sichuan Changjiang Hotel

village base of Chengdu,Sichuan

village base of Sichuan

village base of Xi'an

Jinke Tian Chen

Qianjiang Building

Foshan Cyber Park

Chongqing Dianjiang Library

Chongqing Qianjiang Public Service

Center Party Office

Zhongshan Nan Lang Jinghua theater

Chongqing Longxing resettlement housing

Hubei Shiyan Accord Hotel

Yangxi New Century Hotel

Yangxi Royal Garden Jinghua Park two

Yangjiang Hengda Mingdu

Suining Xu Sheng Kee Hotel

Shenzhen Nanshan International School

Hunan Construction Group reconstruction

Founder Changhai Changsha Central Office

Expansion

Yangjiang new century

Yangjiang International Trade Center

Jiangjin Jinke Xiangrui City

Changshou Jinke World City

Shuangbei first Jiajun

Foreigner blue COCO era

Bristol Township data valley

Dragon Bridge world

Yangtze River International

Pearl River Bank of America basement

Yangchun City theater fire control project

Amway Hunan Branch renovation

East Shore Digital Living Museum

Tea house

Super 8 Hotel

Quartet Hot Pot Restaurant

Impression hot pot restaurants

Time engine cafes

Dongan Cafes

Pixian County People's Hospital

Chengdu Air Force Guest House

Xiamen Xiang Lu International Hotel

Xiamen Kempinski Hotel

Ike Xiamen Xinglin Bay Hotel

Xiamen Dongdu Dongshan Seafood Restaurant

Xiamen Tang banquet central kitchen

Xiamen 520 Dongshan Seafood Theme Pavilion

Xiamen Tenglong Club food chain

Foshan Tongxiangli Commercial Building

Jinke xing chen

Jiangjin Jinke Yun Ding Sunshine

Hangzhou Construction Bank and Branch

Hangzhou Xiaoshan MIX bar

Fuzhou Pingtan Island Road roundabout civil air defense projects

Foshan City Emergency Rescue Command Center

Beijing Lotus Supermarket

Hangzhou Riverside Area

Chongqing Dianjiang Guibei community gardens

Chongqing Yubei Juyi Garden

Chongqing two routes Air China

Chongqing Hongta Group Golf

Sichuan Chengdu qiansheng Store

Chongqing Dianjiang court

Chongqing Dianjiang Country Garden

Chongqing Dianjiang Mudanjiang City

Chongqing Dianjiang Central Mansion

Chongqing Hechuan Huadi Hotel

Sofitel Forebase Chongqing Hotel

Chongqing mountain restaurant

Chongqing Dianjiang eighth middle school

Yang West Oasis Garden II

Blue Dream Hotel Yangjiang High-tech Zone

Bank of America Yangjiang Pearl River Garden

Quanzhou Licheng Hotel

Anta sports

Jordan headquarters in Xiamen

Quanzhou Prince Hotel

Fuzhou 51 Plaza Honor Restaurant

Xiamen Wanda Plaza

Fuzhou Baolong Plaza Guohui Hotel

Xiantao Data Valley Business Building

Ningbo Lishi Department Store

Guangzhou Panyu Creative Industry Park

Jiangsu Jinting International Garden

Ningbo Veken upper house villa

Fuzhou Hongshan primary school

Haikou Jinghua restaurant

Huanle Di KTV



**GF** Ventilation duct blower

Fan casing made of sheet metal and spray treatment, high anti-rust performance. Equipped with high-quality motor and forward-curve multi-wing impeller, to achieve high efficiency and high pressure air supply. Used in hotels, shopping malls, offices and residential buildings Ventilation or pipe pressurization.

Model(No.)	Power(W)	Voltage(V)	Rotation(r/min)	Volume(m³/h)	Pressure(Pa)	Noise dB(A)	Pipe size(mm)
GF100-2	35	220	2300	280	70	≤62	Φ100
GF100-4	17	220	1250	153	60	≤43	Φ100
GF120-4	33	220	1100	317	50	≤43	Φ150
GF120-2	90	220	2200	633	112	≤65	Φ150
GF150-4	80	220	1380	481	142	≤50	Φ150
	59	220	1100	412	132	≤48	Φ150
GF150-6	50	220	960	334	130	≤47	Φ150
	42	220	800	280	118	≤41	Φ150
GF190-4	200	220	1410	935	139	≤63	Φ200
	160	220	1100	729	120	≤61	Φ200
GF190-6	13	220	960	636	112	≤49	Φ200
	115	220	800	530	103	≤48	Φ200
GF210-4	330	220	1400	1253	167	≤65	Φ200
	290	220	1100	985	145	≤63	Φ200
GF210-6	230	220	960	860	135	≤50	Φ200
	200	220	800	716	125	≤49	Φ200



**GFS** Series Plastic split Type Duct Fan

Using a new anti-static, anti-aging engineering plastics, equipped with high-quality motor, low noise, ultra-quiet. For hotels, offices, shopping malls and residential ventilation or pipeline pressure.

Model(No.)	Power(W)	Voltage(V)	Volume(m³/h)	Pressure(Pa)	Noise dB(A)	Pipe size(mm)	Usable Area(m²)
GFS100L	20	220	150	90	34	Φ100	6~12
GFS100H	25	220	200	95	36	Φ100	8~16
GFS120L	30	220	250	95	38	Φ150	10~20
GFS120H	35	220	300	110	40	Φ150	12~24
GFS150L	45	220	350	120	42	Φ150	14~28
GFS150H	55	220	400	130	45	Φ150	16~32



**DPT** Vertical Type Ventilator

Slim cabinet fan, compact structure, ceiling installation; chassis with high-quality steel, fire, corrosion resistance, the world famous brand ball bearings, long-term continuous operation

Single-inlet, multi-bladed Chiba turbo structure forward centrifugal fan, flexible installation, detachable impeller and motor, easy maintenance, the motor can effectively control the temperature rise, automatic thermal protection device

Operating environment temperature range-20°C~50°C. Insulation class E, protection class IP44

Model No.	Airflow (cmh)	Power (w)	Pressure (Pa)	Noise (dB)	Duct size (mm)	Rated Voltage (v)	Weight (KG)
DPT10-11	120	13.5	55	38	100	220-230	2.1
DPT10-11A	155	14.8	65	40	100	220-230	2.1
DPT10-11B	180	19	75	40	100	220-230	2.1
DPT15-33	300	32	140	42	150	220-230	3
DPT15-34	460	48	150	45	150	220-230	3
DPT20-45	600	80	190	47	200	220-230	4.5
DPT20-54	800	105	200	48	200	220-230	4.5



**YXF** Series Circular Duct Fan

Circular duct fans on both sides can be the same specifications of the ventilation pipe, the same axis into the wind, the fan can be concentrated multi-zone series of ventilation for building ventilation or indoor ventilation pipe pressure. Widely used in hotels, department stores, entertainment venues and residential ventilation.

Model(No.)	Power(W)	Voltage(V)	Rotation(R/Min)	Volume(m³/h)	Static pressure(Pa)	Usable Area(m²)	Noise dB(A)
YXF100	60	220	2500	300	900	10~20	65
YXF125	65	220	2500	400	350	13~26	66
YXF150	70	220	2500	750	400	25~50	72
YXF160	80	220	2500	850	450	28~56	72
YXF200	100	220	2500	950	550	31~63	70
YXF250	120	220	2500	1050	600	35~70	70
YXF315	150	220	2500	1600	700	53~100	63



**HEPA** High Efficiency Purifying Box (Split type)

Six high efficiency filtration technology;  
PM2.5 filtration efficiency of ≥ 95%;  
Initial efficiency filters, toxic gas decomposition of cold catalyst layer, the initial effect of filter, sterilization filter, HEPA efficient filter, activated carbon adsorption layer six-fold high-efficiency filtration technology;

Top new purification  
Split air purification box from the beginning of the filter, toxic gas decomposition of cold catalyst layer and in line with HEPA filter layer, Can effectively remove the odor in the air, decomposition of toxic and harmful gases in the air, the filter effect of PM2.5 particles in more than 95%.

Model No.	(L)	(W)	(H)	(Duct Dia)	(Duct H)
JHX100	350	240	150	Φ98	25
JHX150	350	240	150	Φ147	30



**RKF** Rectangular Duct Fan

Features

◆ Suitable for the installation of rectangular pipe inside the ceiling, front-tilt or rear-tilt centrifugal impeller, flame retardant ABS material made of junction box, chassis with high-quality galvanized steel, and the default installation of holes

◆ Low temperature rise single phase asynchronous external rotor motor, motor with thermal overload protector, NSK ball bearings, 5000 hours continuous operation, clamshell design, easy to maintain

◆ Operating temperature range-20°C~50°C, insulation class F, protection class IP44

Model	Airflow (cmh/l)	Power (w)	Static pressure Pa	Noise (dB)	Duct size (mm)	Rated voltage (V)	Weight (KG)
RKF250*125	440	85	310	65	250*125	220-230	6.3
RKF300*150	750	123	195	68	300*150	220-230	9.3
RKF400*200	1040	260	240	61	400*200	220-230	15.1
RKF500*250	1730	634	450	52	500*250	220-230	22.5
RKF500*300	1950	714	500	69	500*300	220-230	27.2
RKB400*200	1280	147	245	66	400*200	220-230	15.1
RKB500*250	2250	260	320	52	500*250	220-230	22.5
RKB500*300	2450	370	385	63	500*300	220-230	27.2
RKB600*300	3050	634	505	67	600*300	220-230	34.4
RKB600*350	3300	714	585	67	600*350	220-230	39.8



**JYF** Series Low Noise Fan

Low noise fan is based on the GDF centrifugal fan to improve the process to maintain the original large amount of airflow volume. Low noise characteristics, to further reduce the size, reduce noise, improve energy efficiency and design of new products.

Model(No.)	Voltage(V)	Power(W)	Rotation(r/min)	Volume(m³/h)	Noise dB(A)	Static pressure(Pa)	
JYF1.0L-100	220	17	1320	116	18	84	
JYF1.0H-100	220	36	2100	230	21	165	
JYF1.2-150	220	45	1320	368	27	136	
JYF1.5-150	220	90	1380	528	32	182	
JYF1.8-150	220	135	1400	780	34	245	
JYF2.0-200	220	175	115	1400	950	36	285
JYF2.3-200	220	230	155	1400	1200	41	390
JYF2.5L-250	220	250	180	1050	940	42	340
JYF2.5H-250	220	400	260	1420	1230	2150	1865
					45	42	490
							370



**JYF** Series Porous Silent Cabinet Fan

Fans using high-quality ball bearing motor, with multi-wing double-levered forward-curve centrifugal impeller, the product is set to three air inlet. It can be used for ventilating multiple rooms at the same time for a host computer, and it is convenient to take over.

Model(No.)	Power(W)	Voltage(V)	Volume(m³/h)	Static pressure(Pa)	Noise dB(A)	Usable Area(m²)
JYF-1.2-150D	45	220	350	135	27	14-28
JYF-1.5-150D	75	220	550	180	32	22-44



**DJT Circular Duct Fan**

Features

- ◆ The housing is made of high quality steel
- ◆ Backward-curve centrifugal impeller, flame retardant PA66 material
- ◆ Enclosure made using flame retardant ABS material
- ◆ Low temperature rise single phase asynchronous external rotor motor
- ◆ The motor is equipped with a thermal overload protector
- ◆ NSK ball bearings, 5000 hours of continuous operation
- ◆ Operating environment temperature range-20℃~50℃
- ◆ Insulation class F, protection class IP44

Series	Model Model No.	Airflow (cmh)	Power (w)	Static pressure (Pa)	Noise (dB)	Duct size (mm)	Rated voltage (v)	Weight (KG)
Circular duct fans (Plastic type)	DJT10U-25P	275	69	340	63	100	220-230	2.3
	DJT12U-35P	375	74	325	62	125	220-230	2.4
	DJT15U-45P	575	96	400	65	150	220-230	3.4
	DJT16U-45P	640	127	396	65	160	220-230	3.6
	DJT20U-46P	990	166	575	66	200	220-230	3.8
	DJT25U-66P	1080	174	580	67	250	220-230	3.9
Circular duct fans (Metal type)	DJT10U-25M	260	70	295	64	100	220-230	3.4
	DJT12U-35M	360	75	345	64	125	220-230	3.8
	DJT15U-45M	550	100	395	65	150	220-230	4.2
	DJT16U-45M	620	110	395	66	160	220-230	4.5
	DJT20U-46M	930	158	565	67	200	220-230	4.8
	DJT25U-66M	1030	190	560	68	250	220-230	5.5
DJT31U-66M	1800	280	700	70	315	220-230	6.8	



**DPT(G) Filter out PM2.5 Unidirectional Flow Fan**

Features

- ◆ Positive pressure fresh air and efficient purification integration
- ◆ High-quality stainless steel, all-metal, compact structure, optimized fan wheel and duct size, running with ultra-low noise, high static pressure, high volume design
- ◆ Long-life low temperature motor and NSK ball bearings

Adaptation

High indoor air quality, mechanical active air supply, construction is simple, easy to simplify the economic users

Model Model No.	Airflow (cmh)	Rated voltage (v)	Power (w)	Static pressure (Pa)	Noise (dB)	Duct size (mm)	Weight (KG)
DPT(G)10A	130-105-90	220	25-21-17	95-80-70	22-21-19	100	5
DPT(G)15A	250-215-175	220	34-31-28	105-100-90	24-23-21	150	7
DPT(G)10B	330-290-255	220	47-37-29	118-110-100	26-24-23	150	7



**DPT Filter out PM2.5 Reversible Flow Fan**

Features

- ◆ PM2.5 host built-in high-efficiency filter, multi-network Hepa activated carbon efficient stratification filter net
- ◆ Positive pressure fresh air and efficient purification integration
- ◆ High-quality stainless steel, all-metal, compact structure, optimized fan wheel and duct size, running with ultra-low noise, high static pressure, high volume design
- ◆ Long-life low temperature motor and NSK ball bearings

Adaptation

High indoor air quality, mechanical active air supply, construction is simple, easy to simplify the economic users

Model Model No.	Airflow (cmh)	Rated voltage (v)	Power (w)	Static pressure Pa	Noise (dB)	Duct size (mm)	Remark
DPT10-33X2A	200	220-230	60	108	40	100	with high efficiency PM2.5 purifier but without energy recycle
DPT10-33X2B	300	220-230	65	120	42	100	
DPT15-42X2A	600	220-230	105	150	45	150	no purifier and energy recycle
DPT25-76X2A	1500	220-230	770	320	54	250	



**Cabinet Duct Fan**

Forward curved multi-blade centrifugal impeller, big airflow, low noise

External rotor motor, direct driving

Good choice using in hotel, meeting place, super market, stores, restroom etc,

for blowing-in, air exhaust, return air and air supplement

Maximum air volume: 1515m³/h

Highest static pressure: 360Pa



**Full heat exchanger Airflow 1500-5000 m³/h**

Feature:

RoHS Certificate. Using long YI Patent Technical movement. Ceiling mounted apparatus may be floor-mounted seat, can be freely selected according to the site. Remote control box operation, the installation site at random. Air supply, exhaust control alone, the user can adjust the actual needs of choice, in order to facilitate energy conservation Suitable for hotels, supermarkets, office buildings, conference rooms, classrooms and other office use. Can be used alone, combined with the central air-conditioning system to use better.

Remark:

380V three-phase power supply. The noise value of the product is semi-anechoic chamber measurement, under actual conditions, due to environmental impact, the noise value will be greater than the value of the standard. The product is constantly updated, the updated technical parameters without further notice, please update the official website.

Specifications:

Model	Airflow (m³/h)	Static Pressure (pa)	Power (W)	Current (A)	Noise dB(A)	Cooling efficiency		Heating efficiency		Weight Kg	Dimension (mm)
						Temp Efficiency	Enthalpy efficiency	Temp Efficiency	Enthalpy efficiency		
LNRV-15-D	1500	160	1000	4.4	58	78	67	78	72	200	1600 x 1265 x 540
LNRV-20-D	2000	170	1200	5.6	60	79	68	79	70	225	1600 x 1470 x 540
LNRV-25-D	2500	180	2000	6.8	62	78	67	78	71	240	1710 x 1480 x 600
LNRV-30-D	3000	200	2100	7.2	64	79	67	80	70	270	1800 x 1650 x 640
LNRV-40-D	4000	220	2400	8.2	66	78	67	79	71	265	1725 x 1450 x 1050
LNRV-50Q-D	5000	240	3000	11.1	68	79	66	80	70	280	1820 x 1780 x 1050
LNRV-60Q-D	6000	320	3600	14.2	66	78	67	79	72	380	1820 x 1660 x 1050
LNRV-70Q-D	7000	310	3800	15.1	67	78	67	79	72	380	2059 x 1780 x 1168
LNRV-80Q-D	8000	320	4000	15.6	68	84	67	84	76	390	2059 x 1780 x 1168
LNRV-90Q-D	9000	340	5000	16.7	70	80	67	80	74	410	2280 x 1900 x 1200
LNRV-100Q-D	10000	350	6000	19.2	78	82	67	82	78	440	2280 x 1900 x 1200

Model	Airflow (m³/h)	Static Pressure (pa)	Power (W)	Current (A)	Noise dB(A)	Cooling efficiency		Heating efficiency		Weight Kg	Dimension (mm)
						Temp Efficiency	Enthalpy efficiency	Temp Efficiency	Enthalpy efficiency		
LNRV-15-D	1500	160	1000	3.6	51	62	51	70.5	62	173	1500 x 1200 x 540
LNRV-20-D	2000	170	1200	4.4	53	60	52	70	63	186	1500 x 1200 x 540
LNRV-25-D	2500	180	2000	6.8	55	62	50	70	63	200	1500 x 1200 x 540
LNRV-30-D	3000	200	2100	7.2	57	64	55	72	64	270	1500 x 1200 x 540
LNRV-40-D	4000	220	2400	8.2	64	64	51	71	64	300	1620 x 1330 x 990
LNRV-50Q-D	5000	240	3000	11.1	64	64	55	72	65	325	1620 x 1330 x 990
LNRV-60Q-D	6000	320	3600	14.8	62	62	60	71	65	380	1720 x 1160 x 990
LNRV-70Q-D	7000	310	3800	15.5	61	61	60	71	65	380	1720 x 1160 x 990
LNRV-80Q-D	8000	320	4000	16.6	61	61	60	71	65	390	1720 x 1160 x 990
LNRV-90Q-D	9000	340	5000	18.5	62	62	60	71	65	410	2280 x 1900 x 1200
LNRV-100Q-D	10000	350	6000	22.2	62	62	55	71	65	440	2280 x 1900 x 1200

Model	Airflow (m³/h)	Static Pressure (pa)	Power (W)	Current (A)	Noise dB(A)	Cooling efficiency		Heating efficiency		Weight Kg	Dimension (mm)
						Temp Efficiency	Enthalpy efficiency	Temp Efficiency	Enthalpy efficiency		
LNRV-15-D	1500	160	1000	4.4	58	78	67	78	72	200	1600 x 1265 x 540
LNRV-20-D	2000	170	1200	5.6	60	79	68	79	70	225	1600 x 1470 x 540
LNRV-25-D	2500	180	2000	6.8	62	78	67	78	71	240	1710 x 1480 x 600
LNRV-30-D	3000	200	2100	7.2	64	79	67	80	70	270	1800 x 1650 x 640
LNRV-40-D	4000	220	2400	8.2	66	78	67	79	71	265	1725 x 1450 x 1050
LNRV-50Q-D	5000	240	3000	11.1	68	79	66	80	70	280	1820 x 1780 x 1050
LNRV-60Q-D	6000	320	3600	14.2	66	78	67	79	72	380	1820 x 1660 x 1050
LNRV-70Q-D	7000	310	3800	15.1	67	78	67	79	72	380	2059 x 1780 x 1168
LNRV-80Q-D	8000	320	4000	15.6	68	84	67	84	76	390	2059 x 1780 x 1168
LNRV-90Q-D	9000	340	5000	16.7	70	80	67	80	74	410	2280 x 1900 x 1200
LNRV-100Q-D	10000	350	6000	19.2	78	82	67	82	78	440	2280 x 1900 x 1200

**Antifreeze Full heat exchanger**

Feature:

Break the bottleneck in the cold area, environmental conditions, the temperature may be -30℃, a temperature range of below 85% of normal use, effective to exclude excessive condensation in the temperature generated. Intelligent Fuzzy Control Technology Cold region-specific fuzzy controller, according to the level of outdoor temperature automatically select the appropriate operating mode, without having to manually adjust the function. Built-in antifreeze device, energy saving, reduce installation and after-sale maintenance costs Anti-freeze device, built-in design, without the need for cold parts combinations, without adding additional power section, easy to install and easy to use in winter and more energy efficient Built-in high thermal movement, energy saving, universities, environmental protection.

Specifications:

Model	Airflow (m³/h)	Static Pressure (Pa)	Power (W)	Current (A)	Noise dB(A)	Cooling efficiency		Heating efficiency		Weight Kg	Dimension (mm)	Duct size ΦD (mm)
						Temp Efficiency	Enthalpy efficiency	Temp Efficiency	Enthalpy efficiency			
FNRV-2Q-D	200	75	65	0.5	30	77	64	78	69	23	890x665x274	Φ144
FNRV-3Q-D	300	75	120	0.6	45	78	65	78	70	25	964x722x270	Φ144
FNRV-4Q-D	400	80	200	1	48	78	65	79	70	28	984x927x270	Φ144
FNRV-5Q-D	500	80	220	1	50	79	66	79	71	39	984x927x270	Φ194
FNRV-8Q-D	800	100	410	1.5	52	79	65	79	70	66	1356x1007x388	Φ242
FNRV-10Q-D	1000	130	510	2	54	78	67	78	71	80	1356x1007x388	Φ242



APB/ASB Series Semi-metal Exhaust Fan with Shutter

Bracket&Shutter:press forming by good quality steel;strong corrosion resistance.Panel:made of antistatic and anti-aging ABS plastic.  
Motor:good quality ball bearing,low noise,large air volume,long service life,super quiet.  
Application: suitable for Ventilation in sitting room,office,shopping mall,building and etc.

Series	Model(No.)	Size(inch)	Power(W)	Voltage(V)	Volume(m³/h)	Noise dB(A)	Usable Area(m²)
Standard Type (Ball Bearing)	APB15-J1	6	24	220	300	39	12~24
	APB20-J1	8	28	220	550	41	22~24
	APB25-J1	10	36	220	900	42	36~72
	APB30-J1	12	48	220	1200	46	48~96
	ASB15-J1	6	24	220	300	39	12~24
	ASB20-J1	8	28	220	550	41	22~24
	ASB25-J1	10	36	220	900	42	36~72
	ASB30-J1	12	48	220	1200	46	48~96
	APB15-J2	6	24/21	220	300/200	39/35	12~24
	APB20-J2	8	28/31	220	550/400	41/38	22~24
	APB25-J2	10	36/31	220	900/650	42/39	36~72
	APB30-J2	12	48/32	220	1200/900	46/41	48~96
Luxury Type (Ball Bearing)	APB15-JH1	6	24	220	300	39	12~24
	APB20-JH1	8	28	220	550	41	22~44
	APB25-JH1	10	36	220	900	42	36~72
	APB30-JH1	12	48	220	1200	46	48~96
	ASB15-JH1	6	24	220	300	39	12~24
	ASB20-JH1	8	28	220	550	41	22~44
	ASB25-JH1	10	36	220	900	42	36~72
	ASB30-JH1	12	48	220	1200	46	48~96
	APB15-JH2	6	24/21	220	300/200	39/35	12~24
	APB20-JH2	8	28/31	220	550/400	41/38	22~24
	APB25-JH2	10	36/31	220	900/650	42/39	36~72
	APB30-JH2	12	48/32	220	1200/900	46/41	48~96



APB/ASB Plastic Exhaust Fan with Shutter

Material:made of antistatic and anti-aging ABS plastic.Motor:good quality ball bearing,low noise,large air volume,long service life,super quiet.  
Application: suitable for Ventilation in sitting room,office,shopping mall,building and etc.

Series	Model(No.)	Size(inch)	Power(W)	Voltage(V)	Volume(m³/h)	Noise dB(A)	Usable Area(m²)	
Standard Type (Ball Bearing)	APB20-S1	8	28	220	550	41	22~44	
	APB25-S1	10	36	220	900	42	36~72	
	APB30-S1	12	48	220	1200	46	48~96	
	ASB20-S1	8	28	220	550	41	22~44	
	ASB25-S1	10	36	220	900	42	36~72	
	ASB30-S1	12	48	220	1200	46	48~96	
	APB20-S2	8	28/23	220	550/400	41/38	22~44	
	APB25-S2	10	36/31	220	900/650	42/39	36~72	
	APB30-S2	12	48/42	220	1200/900	46/41	48~96	
	Luxury Type (Ball Bearing)	APB15-SH1	6	24	220	300	39	12~24
		APB20-SH1	8	28	220	550	41	22~44
		APB25-SH1	10	36	220	900	42	36~72
APB30-SH1		12	48	220	1200	46	48~96	
ASB20-SH1		8	28	220	550	41	22~44	
ASB25-SH1		10	36	220	900	42	36~72	
ASB30-SH1		12	48	220	1200	46	48~96	



豪华型(滚珠轴承)  
Luxury Type(Ball Bearing)

BPT Ceiling Mounted Ventilation Fan

Optimal air duct design, Motor with high-efficiency & long-life ball bearing,  
Optimized efficiency; suitable for continuous ventilation;  
Application: Ventilation for hotels, shopping malls, places of entertainment  
and buildings.



半金属系列  
Semimetal Series

全塑料系列  
Plastic Series

Series	Model(No.)	Power(W)	Voltage(V)	Volume(m³/h)	Static pressure(Pa)	Usable Area(m²)	Noise dB(A)
Semimetal Series	BPT10-23-JZ21J	20	220	150	100	6~12	33
	BPT10-23-JZ24J	22	220	200	110	8~16	35
	BPT10-33-JZ24J	25	220	250	120	10~20	39
	BPT15-33-JZ27J	35	220	300	120	12~24	33
	BPT15-43-JZ27J	39	220	380	150	15~30	37
	BPT15-43-JZ32J	40/35	220	550/450	150/120	18~44	42/37
Plastic Series	BPT10-23-JZ21S	20	220	150	100	6~12	33
	BPT10-23-JZ24S	22	220	200	110	8~16	35
	BPT10-33-JZ24S	25	220	250	120	10~20	39
	BPT10-33-JZ27S	35	220	300	120	12~24	33
	BPT10-43-JZ27S	39	220	380	150	15~30	37
	BPT10-43-JZ32S	40/35	220	550/450	150/120	18~44	42/37

APC Window Type Exhaust Fan

Material:made of antistatic and anti-aging ABS plastic.Structure:compact,safe,stable and firm.Application: suitable for Ventilation in sitting room,  
office,shopping mall,building and etc.

Model(No.)	Size(inch)	Power(W)	Voltage(V)	Volume(m³/h)	Noise dB(A)	Usable Area(m²)
APC10-F1	4(方形风压)	12	220	100	40	4~8
APC15-F1	6(方形风压)	17	220	200	42	8~16
APC20-F1	8(方形风压)	25	220	300	45	12~24
APC10-C1	4(方形超薄)	15	220	100	40	4~8
APC15-C1	6(方形超薄)	20	220	200	42	8~16
APC15-Y1	6(圆形)	12	220	200	40	8~16
APC20-Y1	8(圆形)	18	220	300	42	12~24



方形风压  
Square Type

APT Plastic Ceiling Mounted Ventilation fan

Material:made of antistatic and anti-aging ABS plastic.Motor:good quality ball bearing,low noise,large air volume,long service life,super quiet.  
Application: suitable for Ventilation in sitting room,office,shopping mall,building and etc.

Model(No.)	Size(inch)	Power(W)	Voltage(V)	Volume(m³/h)	Noise dB(A)	Usable Area(m²)
APT15-S	6	24	220	300	40	12~24
APT20-S	8	28	220	550	41	22~44
APT25-S	10	36	220	900	43	36~72
APT30-S	12	48	220	1200	46	48~96

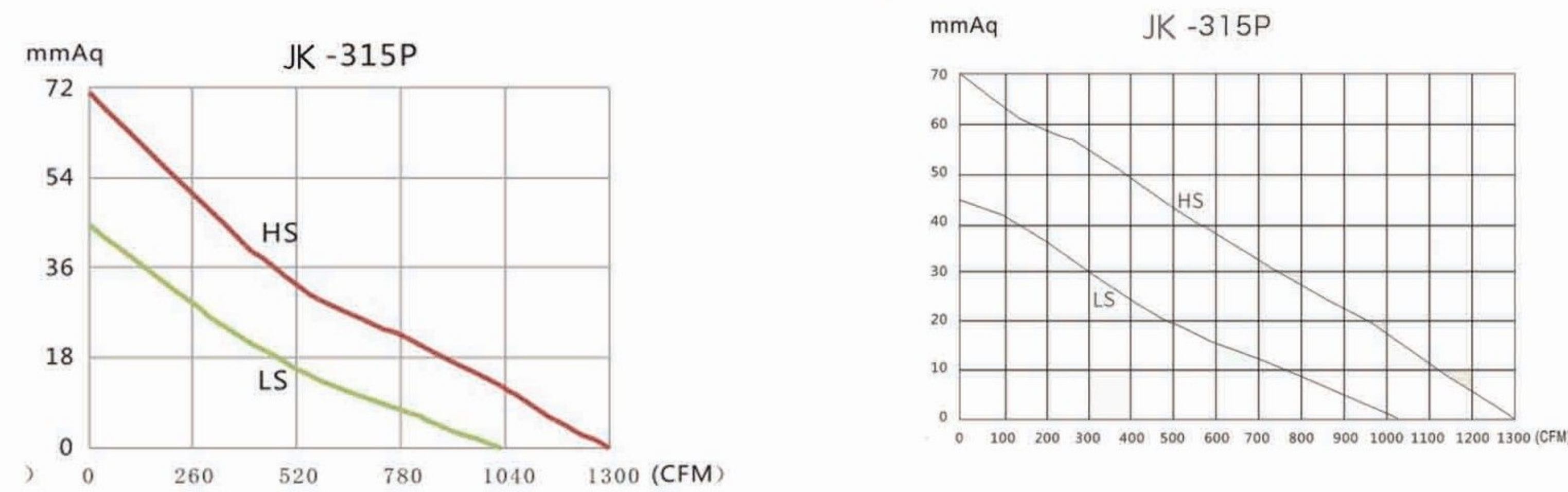


JK In-line mixed-flow fans  
JK-315P

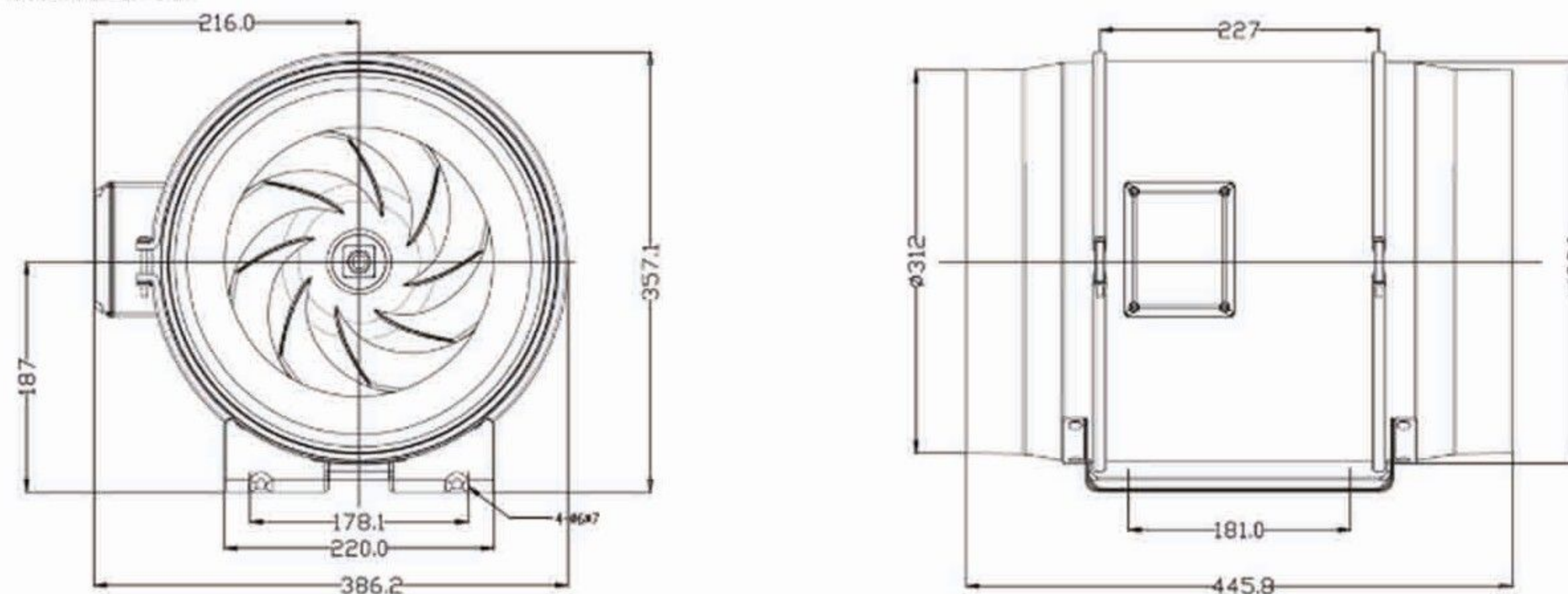
Model: JK-315P  
Voltage/ Frequency: 230V/50Hz  
Current(Amps): 1.90/1.40  
Power(W): 380/275  
Speed(Rph): 2350/1650  
Airflow(m³/h): 2206/1750  
Pressure(Pa): 693/435  
Noise(Db): 69/61  
Weight(Kg): 11.3



Performance Curve:



Dimension:



Stylish body design, eco-friendly materials, light weight, double insulation;  
High performance mixed-flow Impeller, High pressure, Large Volume, High Efficiency, Low Energy, Low Noise;  
Fans can be removed for maintenance or repair without disturbing the duct system via specially designed support brackets.  
Integrated mounting foot makes installation easier.  
External rotate motor, NMB bearing with up to 50,000hours longlife.  
IP 44, water-proof and duct-proof  
Designed for delayed shutdown  
Ambient Working temp:-20°C~60°C  
Widely applied at: Conference Room, Public Place, Hotel, Residential Apartment, Gym Room

Model	Speed Shift	Voltage	Current	Power	Speed	Airflow	Pressure	Noise	Weight
		(V/Hz)	(Amps)	(W)	(RPM)	(m³/h)	(Pa)	(dB)	
JK-315P	High	220/50	1.90	390	2350	2206	693	69	11
			1.40	275	1650	1750	435	61	
	Low	115/60	3.70	412	2350	2206	693	69	
			2.90	306	1650	1750	435	61	

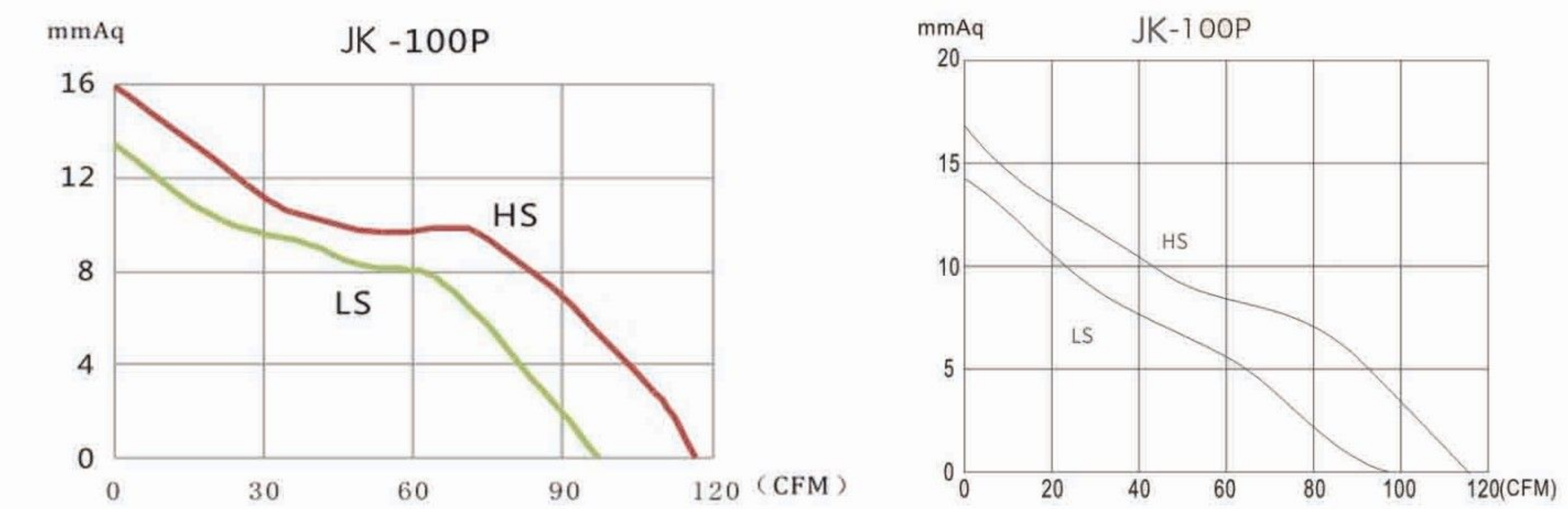
Model	Speed Shift	Voltage	Current	Power	Speed	Airflow	Pressure	Noise	Weight
		(V/Hz)	(Amps)	(W)	(RPM)	(m³/h)	(Pa)	(dB)	
JK-315PM	High	220/50	1.90	390	2350	2206	693	69	11
			1.70	333	2000	1950	564	65	
			1.40	275	1650	1750	435	61	
	Low	115/60	3.70	412	2350	2206	693	69	
			3.30	360	2000	1950	564	65	
			2.90	306	1650	1750	435	61	

JK In-line mixed-flow fans  
JK-100P

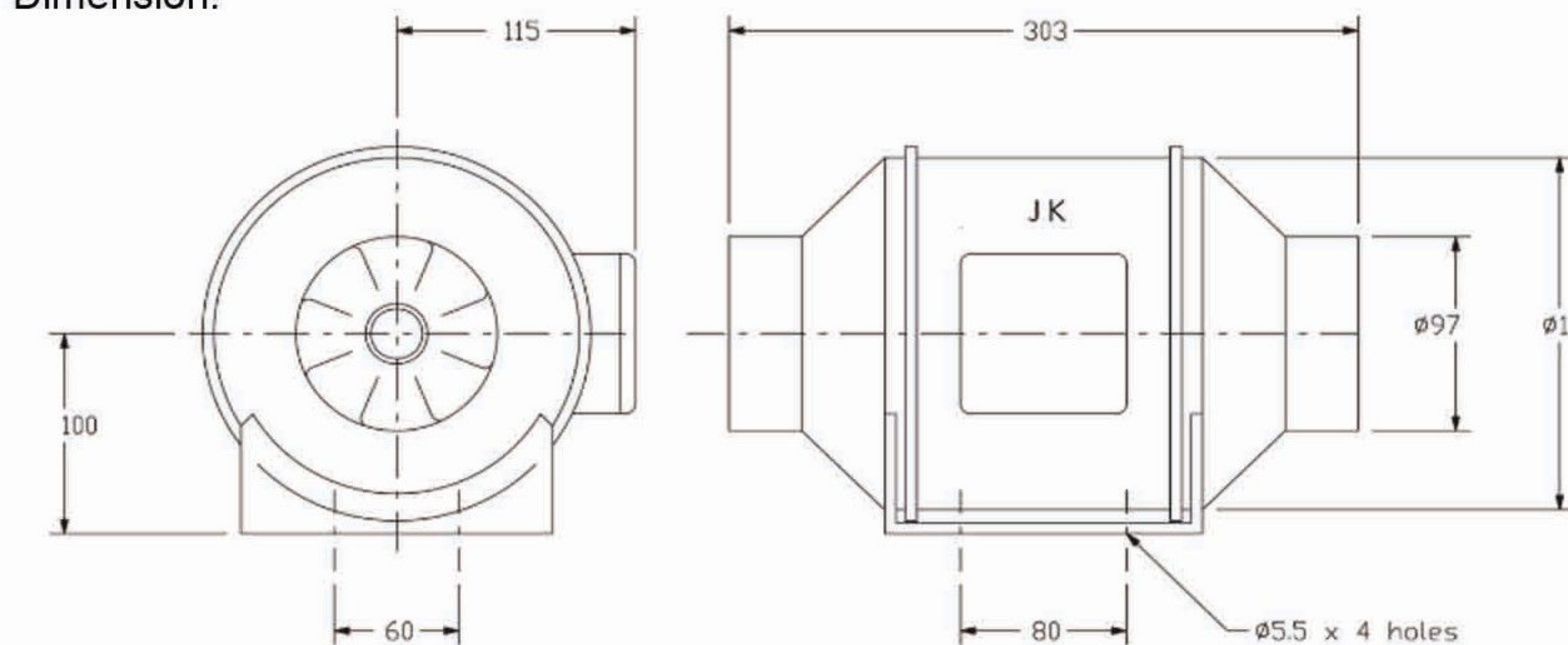
Model: JK-100P  
Voltage/ Frequency: 230V/50Hz  
Current(Amps): 0.12/0.11  
Power(W): 26/23  
Speed(Rph): 2200/1850  
Airflow(m³/h): 198/165  
Pressure(Pa): 156/131  
Noise(Db): 31/26  
Weight(Kg): 2.0



Performance Curve:



Dimension:



Stylish body design, eco-friendly materials, light weight, double insulation;  
High performance mixed-flow Impeller, High pressure, Large Volume, High Efficiency, Low Energy, Low Noise;  
Fans can be removed for maintenance or repair without disturbing the duct system via specially designed support brackets.  
Integrated mounting foot makes installation easier.  
External rotate motor, NMB bearing with up to 50,000hours longlife.  
IP 44, water-proof and duct-proof  
Designed for delayed shutdown  
Ambient Working temp:-20°C~60°C  
Widely applied at: Conference Room, Public Place, Hotel, Residential Apartment, Gym Room

Model	Speed Shift	Voltage	Current	Power	Speed	Airflow	Pressure	Noise	Weight
		(V/Hz)	(Amps)	(W)	(RPM)	(m³/h)	(Pa)	(dB)	
JK-100P	High	220/50	0.12	26	2200	198	156	31	1.5
			0.11	23	1850	165	131	26	
	Low	115/60	0.24	30	2200	198	156	31	
			0.22	28	1850	165	131	26	

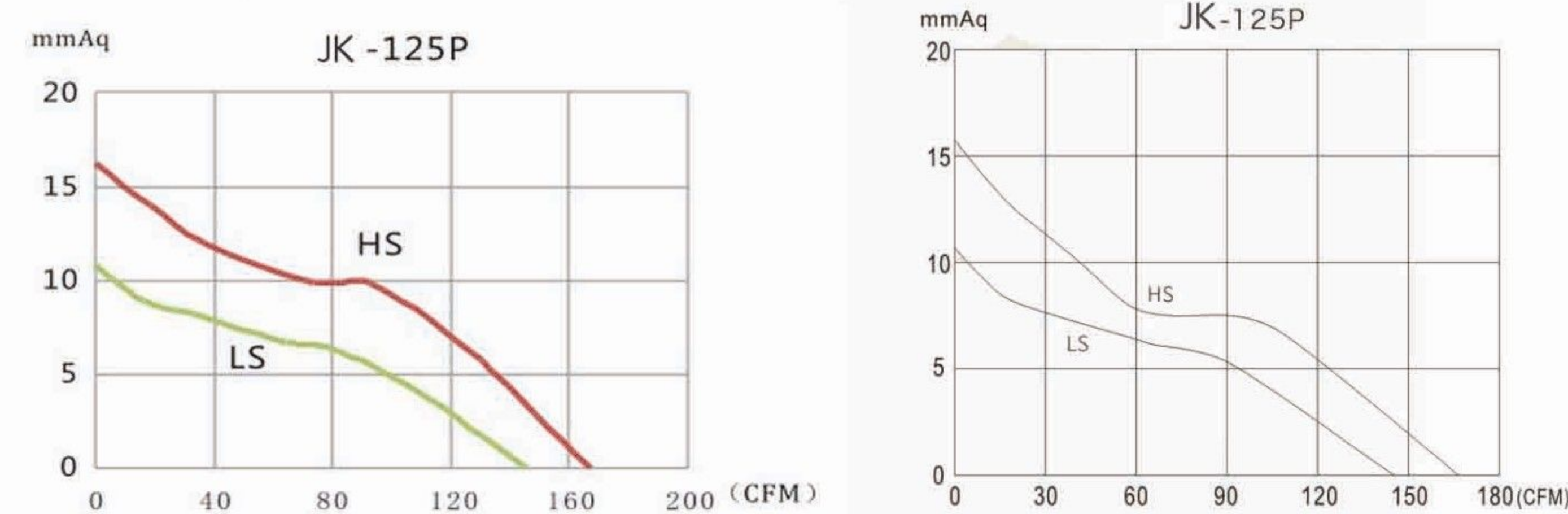
Model	Speed Shift	Voltage	Current	Power	Speed	Airflow	Pressure	Noise	Weight
		(V/Hz)	(Amps)	(W)	(RPM)	(m³/h)	(Pa)	(dB)	
JK-100PM	High	220/50	0.16	35	2600	240	192	35	1.5
			0.12	26	2200	198	156	31	
			0.11	23	1850	165	131	26	

## JK In-line mixed-flow fans JK-125P

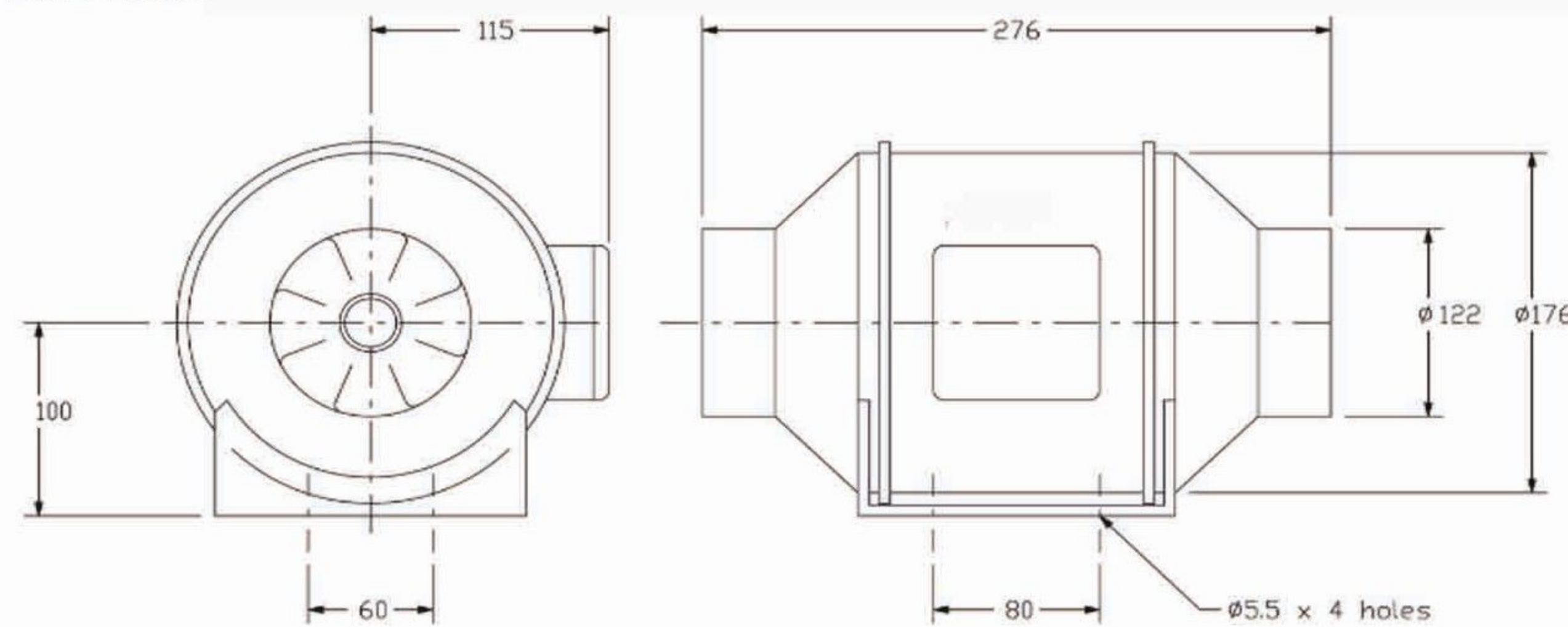
Model: JK-125P  
Voltage/ Frequency: 230V/50Hz  
Current(Amps): 0.14/0.13  
Power(W): 33/28  
Speed(Rph): 2250/1850  
Airflow(m³/h): 284/248  
Pressure(Pa): 159/106  
Noise(Db): 31/26  
Weight(Kg): 1.8



Performance Curve:



Dimension:



Stylish body design, eco-friendly materials, light weight, double insulation;

High performance mixed-flow Impeller, High pressure, Large Volume, High Efficiency, Low Energy, Low Noise;

Fans can be removed for maintenance or repair without disturbing the duct system via specially designed support brackets.

Integrated mounting foot makes installation easier.

External rotate motor, NMB bearing with up to 50,000hours longlife.

IP 44, water-proof and duct-proof

Designed for delayed shutdown

Ambient Working temp:-20°C~60°C

Widely applied at: Conference Room, Public Place, Hotel, Residential Apartment, Gym Room

Model	Speed Shift	Voltage (V/Hz)	Current (Amps)	Power (W)	Speed (RPM)	Airflow (m³/h)	Pressure (Pa)	Noise (dB)	Weight (kgs)
JK-125P	High Low	220/50	0.14	33	2250	284	159	31	1.5
			0.13	28	1850	248	106	26	
	High Low	115/60	0.30	32	2250	284	159	31	
			0.26	27	1850	248	106	26	

Model	Speed Shift	Voltage (V/Hz)	Current (Amps)	Power (W)	Speed (RPM)	Airflow (m³/h)	Pressure (Pa)	Noise (dB)	Weight (kgs)
JK-125PM	High	220/50	0.16	36	2600	310	177	35	1.5
	Mid		0.14	33	2250	284	159	31	
	Low		0.13	28	1850	248	106	26	

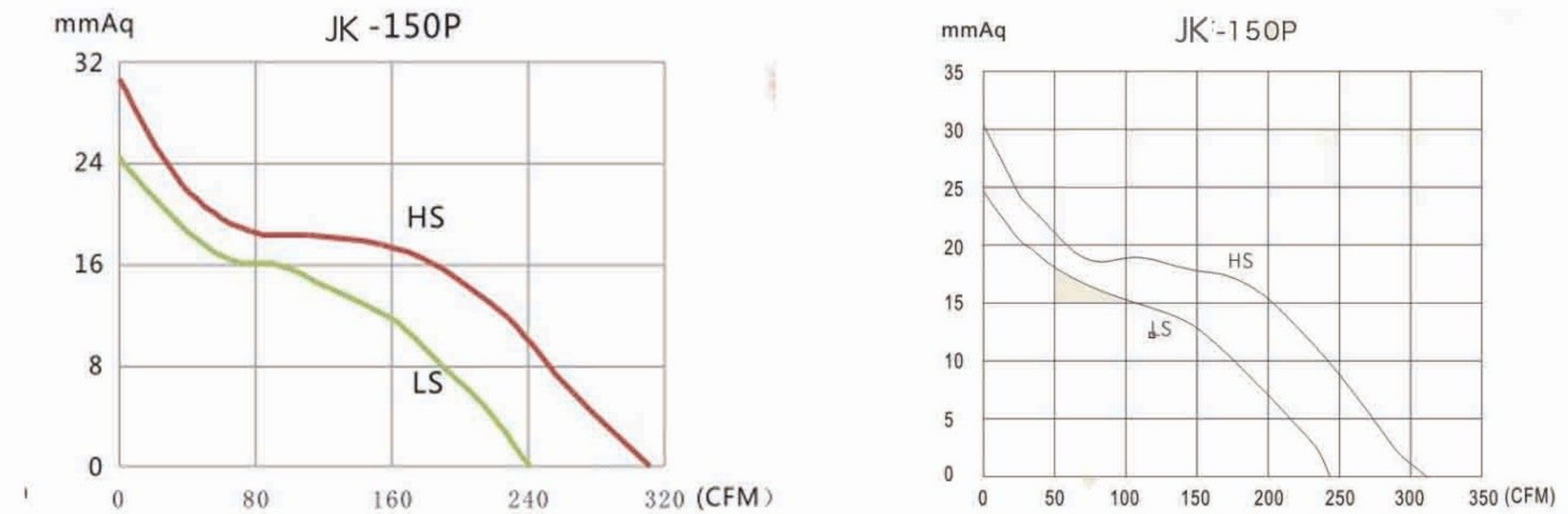
## Mixed flow duct fan

## JK In-line mixed-flow fans JK-150P

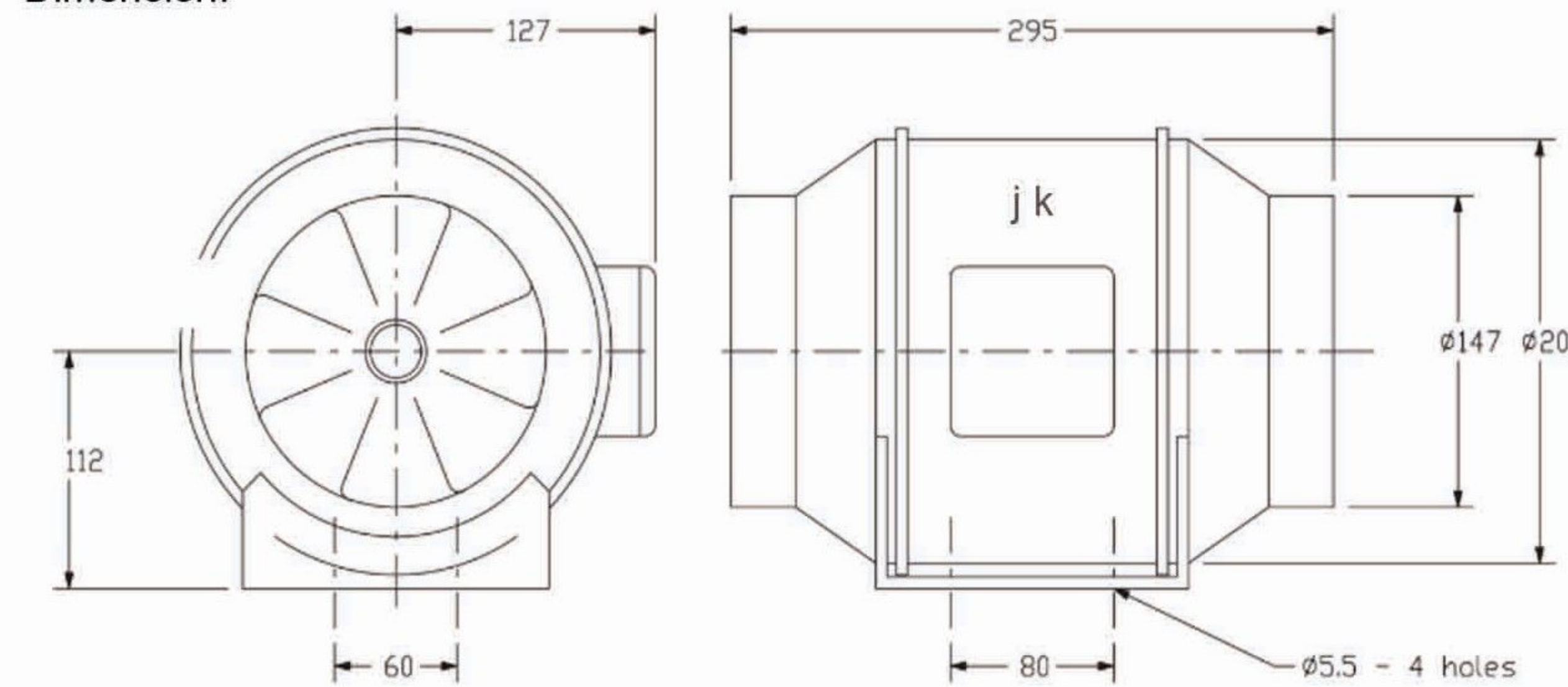
Model: JK-150P  
Voltage/ Frequency: 230V/50Hz  
Current(Amps): 0.21/0.21  
Power(W): 54/48  
Speed(Rph): 2250/1850  
Airflow(m³/h): 530/410  
Pressure(Pa): 300/240  
Noise(Db): 33/29  
Weight(Kg): 2.7



Performance Curve:



Dimension:



Stylish body design, eco-friendly materials, light weight, double insulation;

High performance mixed-flow Impeller, High pressure, Large Volume, High Efficiency, Low Energy, Low Noise;

Fans can be removed for maintenance or repair without disturbing the duct system via specially designed support brackets.

Integrated mounting foot makes installation easier.

External rotate motor, NMB bearing with up to 50,000hours longlife.

IP 44, water-proof and duct-proof

Designed for delayed shutdown

Ambient Working temp:-20°C~60°C

Widely applied at: Conference Room, Public Place, Hotel, Residential Apartment, Gym Room

Model	Speed Shift	Voltage (V/Hz)	Current (Amps)	Power (W)	Speed (RPM)	Airflow (m³/h)	Pressure (Pa)	Noise (dB)	Weight (kgs)
JK-150P	High Low	220/50	0.22	54	2550	530	300	33	2.6
			0.19	44	1850	410	240	29	
	High Low	115/60	0.58	65	2550	530	300	33	
			0.49	53	1850	410	240	29	

Model	Speed Shift	Voltage (V/Hz)	Current (Amps)	Power (W)	Speed (RPM)	Airflow (m³/h)	Pressure (Pa)	Noise (dB)	Weight (kgs)
JK-150PW	High	220/50	0.22	54	2550	530	300	33	2.6
	Mid		0.20	48	2150	470	270	31	
	Low		0.19	44	1850	410	240	29	

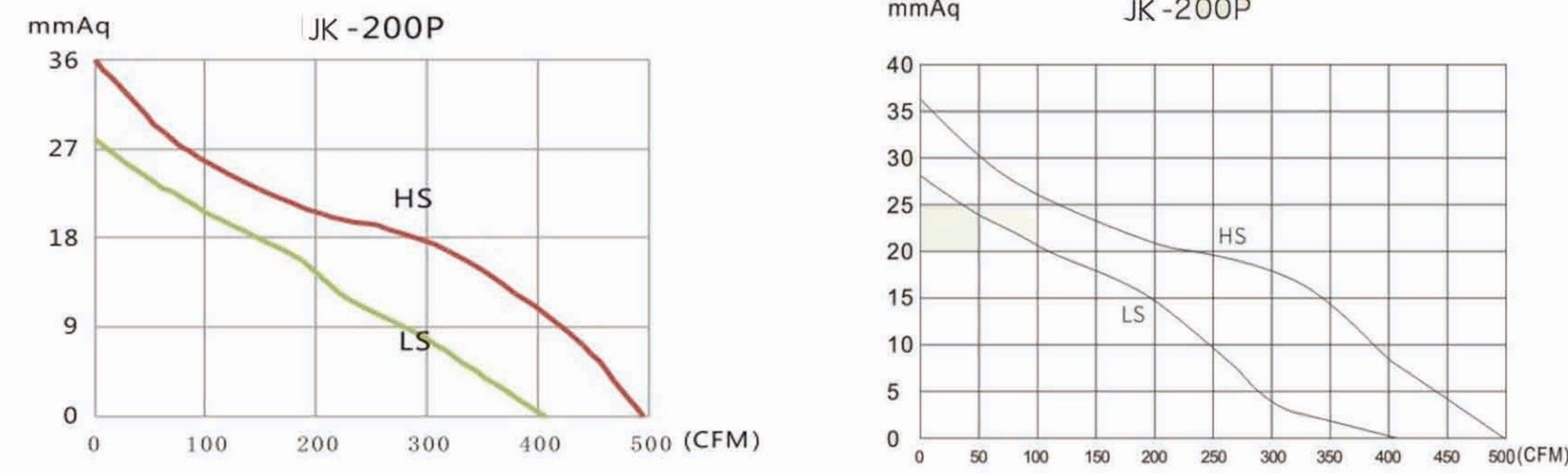
## Mixed flow duct fan

JK In-line mixed-flow fans  
JK-200P

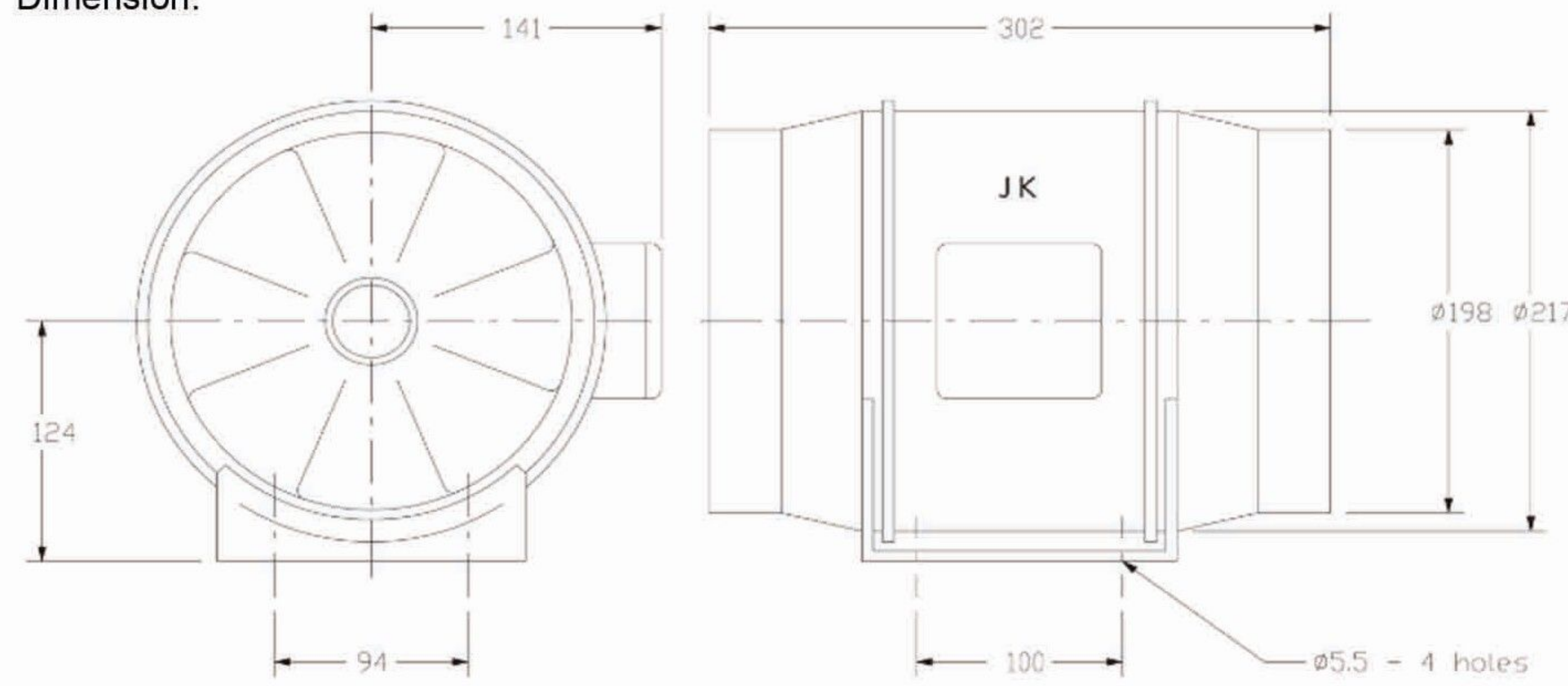
Model: JK-200P  
Voltage/ Frequency: 230V/50Hz  
Current(Amps): 0.57/0.52  
Power(W): 128/123  
Speed(Rph): 2450/1950  
Airflow(m³/h): 840/690  
Pressure(Pa): 352/274  
Noise(Db): 63/55  
Weight(Kg): 4.9



Performance Curve:



Dimension:



- Stylish body design, eco-friendly materials, light weight, double insulation;
- High performance mixed-flow Impeller, High pressure, Large Volume, High Efficiency, Low Energy, Low Noise;
- Fans can be removed for maintenance or repair without disturbing the duct system via specially designed support brackets.
- Integrated mounting foot makes installation easier.
- External rotate motor, NMB bearing with up to 50,000hours longlife.
- IP 44, water-proof and duct-proof
- Designed for delayed shutdown
- Ambient Working temp:-20°C~60°C
- Widely applied at: Conference Room, Public Place, Hotel, Residential Apartment, Gym Room

Model	Speed Shift	Voltage (V/Hz)	Current (Amps)	Power (W)	Speed (RPM)	Airflow (m³/h)	Pressure (Pa)	Noise (dB)	Weight (kgs)
JK-200P	High	220/50	0.53	128	2450	840	352	63	4.9
			0.52	123	1950	690	274	55	
	Low	115/60	1.47	162	2450	840	352	63	
			1.27	146	1950	690	274	55	

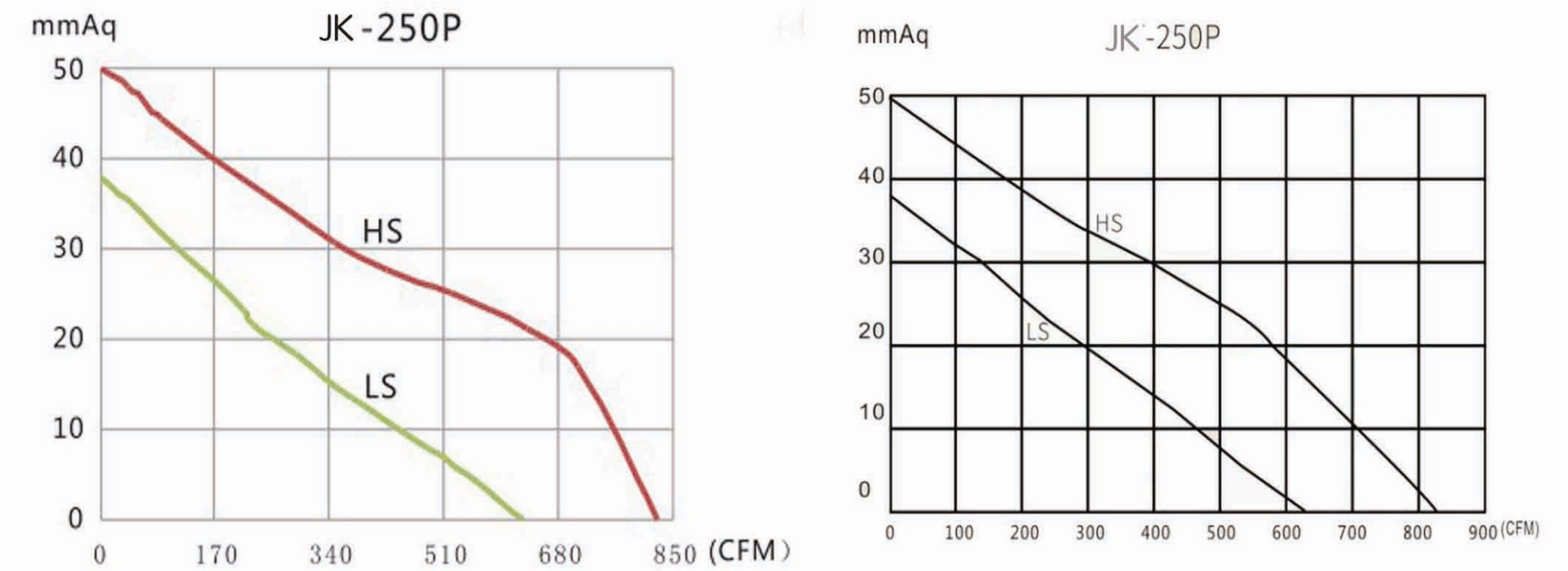
Model	Speed Shift	Voltage (V/Hz)	Current (Amps)	Power (W)	Speed (RPM)	Airflow (m³/h)	Pressure (Pa)	Noise (dB)	Weight (kgs)
JK-200PM	High	220/50	0.53	128	2450	840	352	63	4.9
			0.52	125	2200	765	313	59	
			0.52	123	1950	690	274	55	

JK In-line mixed-flow fans  
JK-250P

Model: JK-250P  
Voltage/ Frequency: 230V/50Hz  
Current(Amps): 1.02/0.75  
Power(W): 225/165  
Speed(Rph): 2450/1850  
Airflow(m³/h): 1405/1064  
Pressure(Pa): 488/371  
Noise(Db): 66/58  
Weight(Kg): 7.5



Performance Curve:



- Stylish body design, eco-friendly materials, light weight, double insulation;
- High performance mixed-flow Impeller, High pressure, Large Volume, High Efficiency, Low Energy, Low Noise;
- Fans can be removed for maintenance or repair without disturbing the duct system via specially designed support brackets.
- Integrated mounting foot makes installation easier.
- External rotate motor, NMB bearing with up to 50,000hours longlife.
- IP 44, water-proof and duct-proof
- Designed for delayed shutdown
- Ambient Working temp:-20°C~60°C
- Widely applied at: Conference Room, Public Place, Hotel, Residential Apartment, Gym Room

Model	Speed Shift	Voltage (V/Hz)	Current (Amps)	Power (W)	Speed (RPM)	Airflow (m³/h)	Pressure (Pa)	Noise (dB)	Weight (kgs)
JK-250P	High	220/50	1.20	225	2450	1405	488	66	7.5
			0.75	165	1850	1064	371	58	
	Low	115/60	2.10	240	2450	1405	488	66	
			1.50	166	1850	1064	371	58	

Model	Speed Shift	Voltage (V/Hz)	Current (Amps)	Power (W)	Speed (RPM)	Airflow (m³/h)	Pressure (Pa)	Noise (dB)	Weight (kgs)
JK-250PM	High	220/50	1.20	225	2450	1405	488	66	7.5
			0.97	195	2150	1235	430	62	
			0.75	165	1850	1064	371	58	
	Low	115/60	2.10	240	2450	1405	488	66	
			1.80	203	2150	1235	430	62	
			1.50	166	1850	1064	371	58	