



www.shlanbao.cn

注意事项

- 通电前请确保电源电压在额定电压内
- 传感器从接通电源到正常检测的时间为100ms, 请确保通电后100ms后再使用
- 传感器与负载使用不同电源时, 请确保先接通传感器的电源
- 不使用传感器时, 建议优先切断负载上的电源, 再切断传感器的电源
- 安装时请勿使传感器受剧烈外力(如锤击打等), 以免破坏传感器性能
- 清洗时避免使用稀释剂、酒精或其他有机溶剂

安全警告

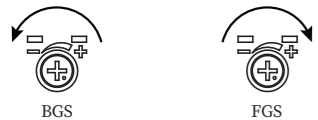
- 请勿在具有易燃性、爆炸性或腐蚀性气体的环境下使用
- 请勿在具有油或化学品的环境下使用
- 请勿在湿度高的环境下使用
- 请勿在日光直射的环境下使用
- 请勿在其他超过额定值的环境条件下使用
- 请勿擅自拆卸、修理、改造本产品

报废处理

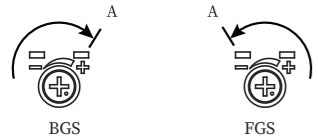
- 产品报废时, 请作为工业废弃物进行处理

距离设定

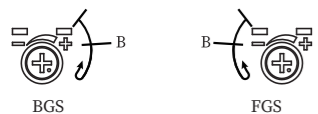
1. 将距离设定调节器转到到底。
BGS功能: 逆时针 FGS功能: 顺时针



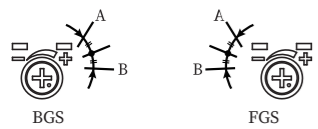
2. BGS功能: 放置检测物体后, 旋转调节器, 确认处在检测状态的位置A点。
FGS功能: 在检测背景状态下, 旋转调节器, 确认处在非检测状态的位置A点。



3. BGS功能: 移除检测物体, 旋转调节器, 确认处在非检测状态的位置B点。
FGS功能: 将检测物体置于检测位置后, 旋转调节器, 确认处在检测状态的位置B点。
(将调节器转到底后, 如果入光时不动作, 则最大限度旋转位置将变为B点。)



4. A、B点的中间点附近即为稳定检测物体的最佳位置



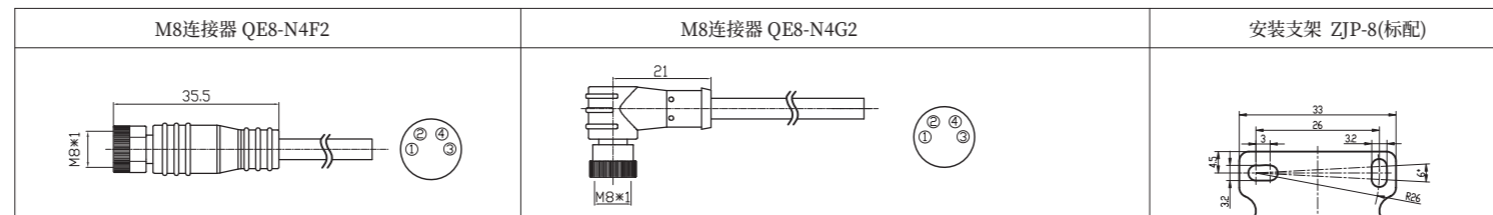
产品规格

检测类型		背景抑制型							
		NPN NO	NPN NC	PNP NO	PNP NC	NPN	PNP	NPN	PNP
格式	引线型	PSE-YC5DNOR	PSE-YC5DNCR	PSE-YC5DPOR	PSE-YC5DPCR	PSE-YC25DNBR	PSE-YC25DPBR	PSE-YC35DNBR	PSE-YC35DPBR
	插件型	PSE-YC5DNOR-E3	PSE-YC5DNCR-E3	PSE-YC5DPOR-E3	PSE-YC5DPCR-E3	PSE-YC25DNBR-E3	PSE-YC25DPBR-E3	PSE-YC35DNBR-E3	PSE-YC35DPBR-E3
检测距离		0.2...5cm				0.5...25cm		0.5...35cm	
回差		<2%				<10%			
距离调节		5圈旋钮调节							
光源类型		红光 (630nm)							
光斑大小		φ2mm@5cm				φ6mm@25cm			
电源电压		10...30VDC							
消耗电流		≤20mA							
负载电流		≤100mA							
压降		≤2V							
保护回路		短路保护、极性保护、过载保护、齐纳保护							
BGS/FGS切换		白线接正极或悬空为BGS, 白线接负极为FGS				/			
NO/NC切换		/				白线接正极或悬空为NO, 白线接负极为NC			
响应时间		3.5ms							
指示灯		绿灯: 电源指示; 黄灯: 输出指示、过载短路指示							
抗环境光		太阳光干扰≤10,000 lux; 白炽灯光干扰≤3,000 lux							
工作温度		-25°C...55°C							
存储温度		-25°C...70°C							
防护等级		IP67							
产品认证		CE							
材质		PC+ABS							
透镜		PMMA							
重量		引线型: 约50g; 插件型: 约10g							
附件		M3螺钉×2、安装支架ZJP-8、使用说明书							

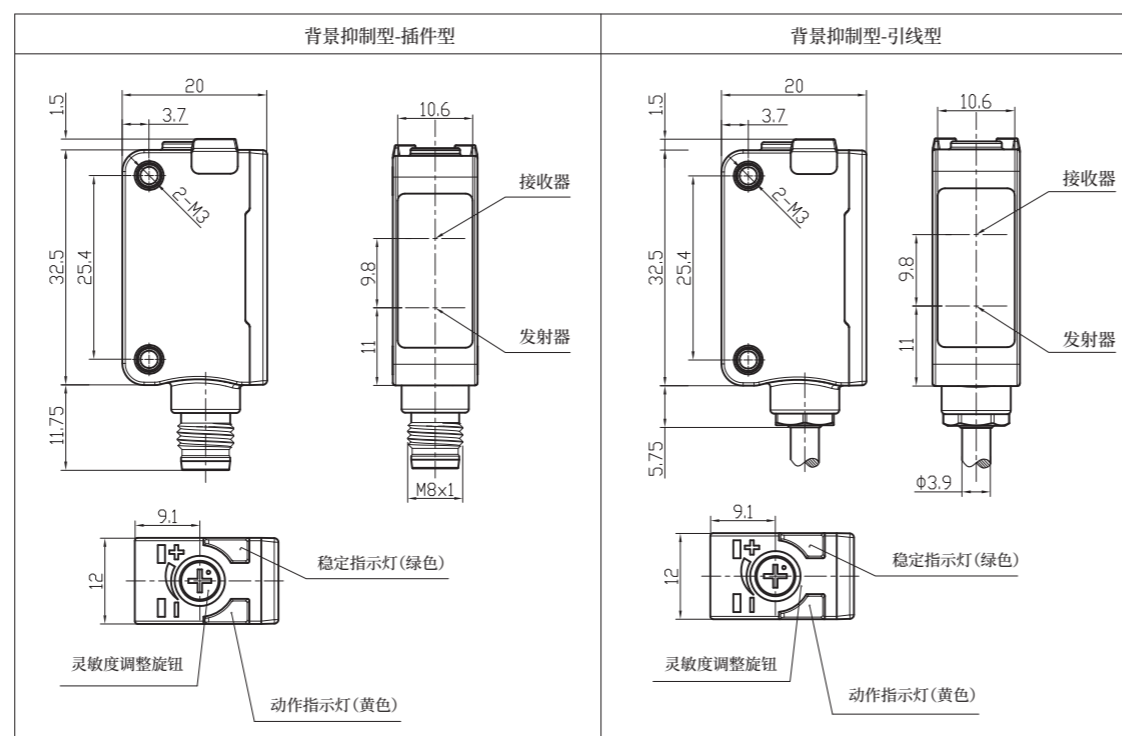
备注: 标准检测体为20cm*20cm的白卡 (90%反射率)

配件尺寸图

以下附件除ZJP-8型号安装支架, 其他均需要额外订购。



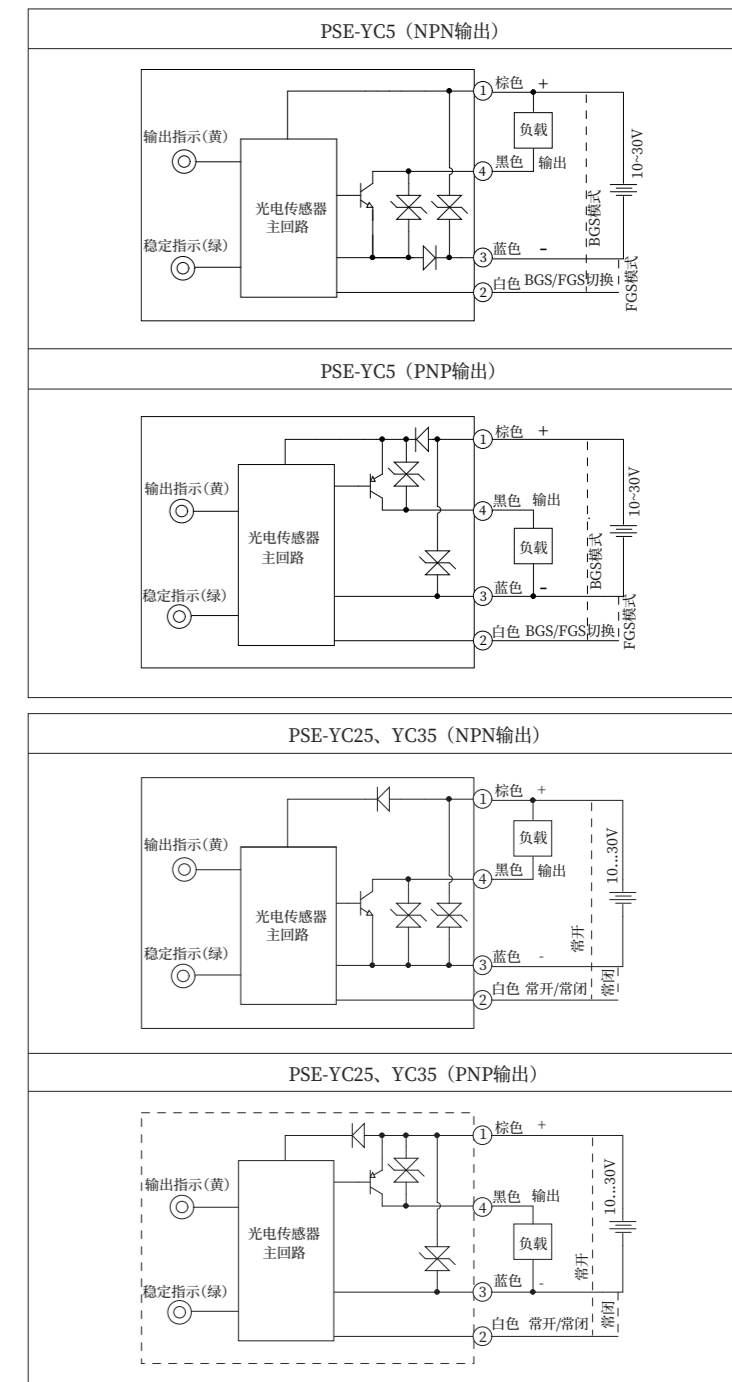
外形尺寸图



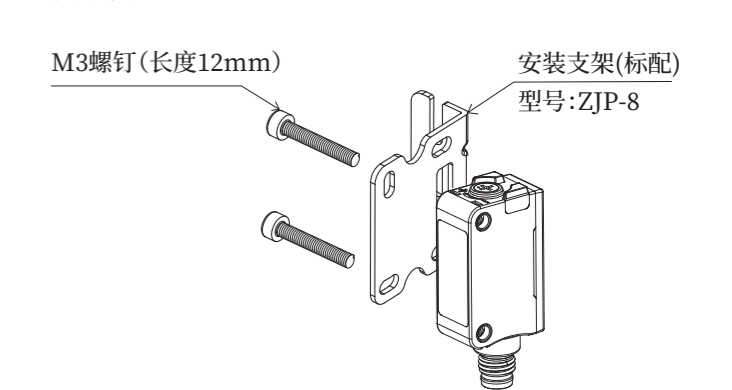
端子接线图

PSE-YC5	PSE-YC25, YC35
<p>1:+ 4:OUT 3:- 2:-FGS/+BGS</p> <p>棕色:+ 黑色:OUT 蓝色:- 白色:-FGS/+BGS</p>	<p>1:+ 4:OUT 3:- 2:-NC/+NO</p> <p>棕色:+ 黑色:OUT 蓝色:- 白色:-NC/+NO</p>

电气接线图



安装图



备注: 安装本产品时, 拧紧力矩请保持在0.5N·m以下

Operation manual



www.lanbaosensor.com

Precautions

- Please make sure that the power supply voltage is within the rated value before powering on
- The time from powering-on to normal detection of the sensor is 100ms, please ensure that the sensor is used after 100ms of powering-on
- When using different power sources for the sensor and load, be sure to turn on the power of the sensor first
- When the sensor is not used, it is recommended to cut off the power of the load first and then turn off the power of the sensor
- Do not subject the sensor to severe external forces (such as hammer hits, etc.) during installation, so as not to damage the sensor performance
- Avoid using thinner, alcohol or other organic solvents when cleaning

Safety Warning

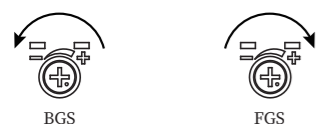
- Do not use in an environment with flammable, explosive or corrosive gases
- Do not use in oil or chemical environments
- Do not use in a high humidity environment
- Do not use in direct sunlight
- Do not use in other environmental conditions that exceed the rated value
- Do not disassemble, repair or modify this product without authorization

Scrap Treatment

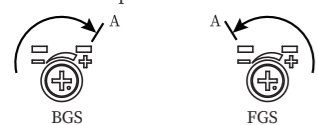
- When the product is scrapped, please dispose of it as industrial waste

Distance Adjustment

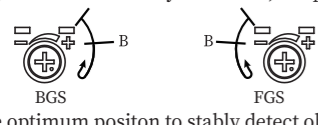
1. Turn the sensitivity adjuster fully.
BGS function: Counterclockwise FGS function: Clockwise



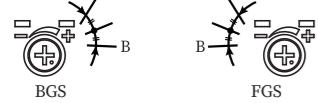
2. BGS function: In the object present condition, turn the sensitivity adjuster and confirm the point A where the sensor enters the sensing state.
FGS function: In sensing back-ground condition, turn the sensitivity adjuster and confirm the point A where the sensor enters the non-sensing state.



3. BGS function: After removing the sensing object, turn the sensitivity adjuster and confirm the point B where the sensor enters the non-sensing state.
FGS function: In the object present condition, turn the sensitivity adjuster and confirm the point B where the sensor enters the sensing state.
(If the sensor does not enter the "Light" state operation even when the sensitivity adjuster is turned fully clockwise, the position is point B.)



4. The optimum position to stably detect objects is the center point between A and B.



Technical specifications

Detection type	Background suppression								
	NPN NO	NPN NC	PNP NO	PNP NC	NPN	PNP	NPN	PNP	
Format	Cable	PSE-YC5DNOR	PSE-YC5DNCR	PSE-YC5DPOR	PSE-YC5DPCR	PSE-YC25DNBR	PSE-YC25DPBR	PSE-YC35DNBR	PSE-YC35DPBR
	Connector	PSE-YC5DNOR-E3	PSE-YC5DNCR-E3	PSE-YC5DPOR-E3	PSE-YC5DPCR-E3	PSE-YC25DNBR-E3	PSE-YC25DPBR-E3	PSE-YC35DNBR-E3	PSE-YC35DPBR-E3
Sensing distance	0.2...5cm				0.5...25cm		0.5...35cm		
Return difference	<2%				<10%		<10%		
Distance adjustment	5-turn knob adjustment								
Light source	Red light(630nm)								
Light spot size	φ2mm@5cm				φ6mm@25cm				
Supply voltage	10...30VDC								
Consumption current	≤20mA								
Load current	≤100mA								
Voltage drop	≤2V								
Circuit protection	Short circuit, Reverse polarity, Overload, Zener protection								
BGS/FGS Switch	The white wire connected to the positive electrode or floating is BGS, and the white wire connected to the negative electrode is FGS				/				
NO/NC Switch	/				The white wire connected to the positive electrode or floating is NO, and the white wire connected to the negative electrode is NC				
Response time	3.5ms								
Indicator	Green:Power indicator;Yellow:Output,overload or short circuit								
Anti-ambient light	Sunlight interference≤10,000 lux;Anti-incandescent light interference≤3,000 lux								
Ambient temperature	-25°C...55°C								
Storage temperature	-25°C...70°C								
Protection degree	IP67								
Certification	CE								
Material	PC+ABS								
Lens	PMMA								
Weight	Cable:about 50g;Connector:about 10g								
Accessories	Screw×2, Mounting bracket ZJP-8, Operation manual								

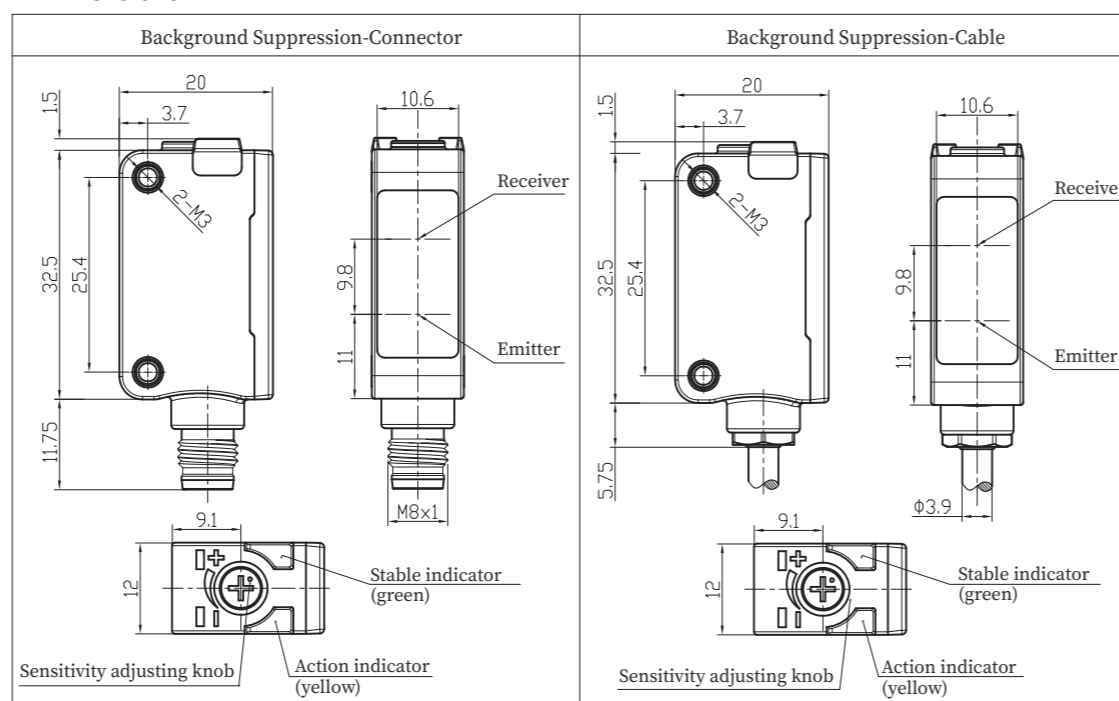
Note: The standard detection target is a white card of 20cm*20cm(90% reflectivity)

Accessory Dimensions(Sold Separately)

The following accessories need to be ordered additionally except for the ZJP-8 type mounting bracket.

<p>M8 Connector:QE8-N4F2</p>	<p>M8 Connector:QE8-N4G2</p>	<p>Mounting Bracket:ZJP-8(accessory)</p>
------------------------------	------------------------------	--

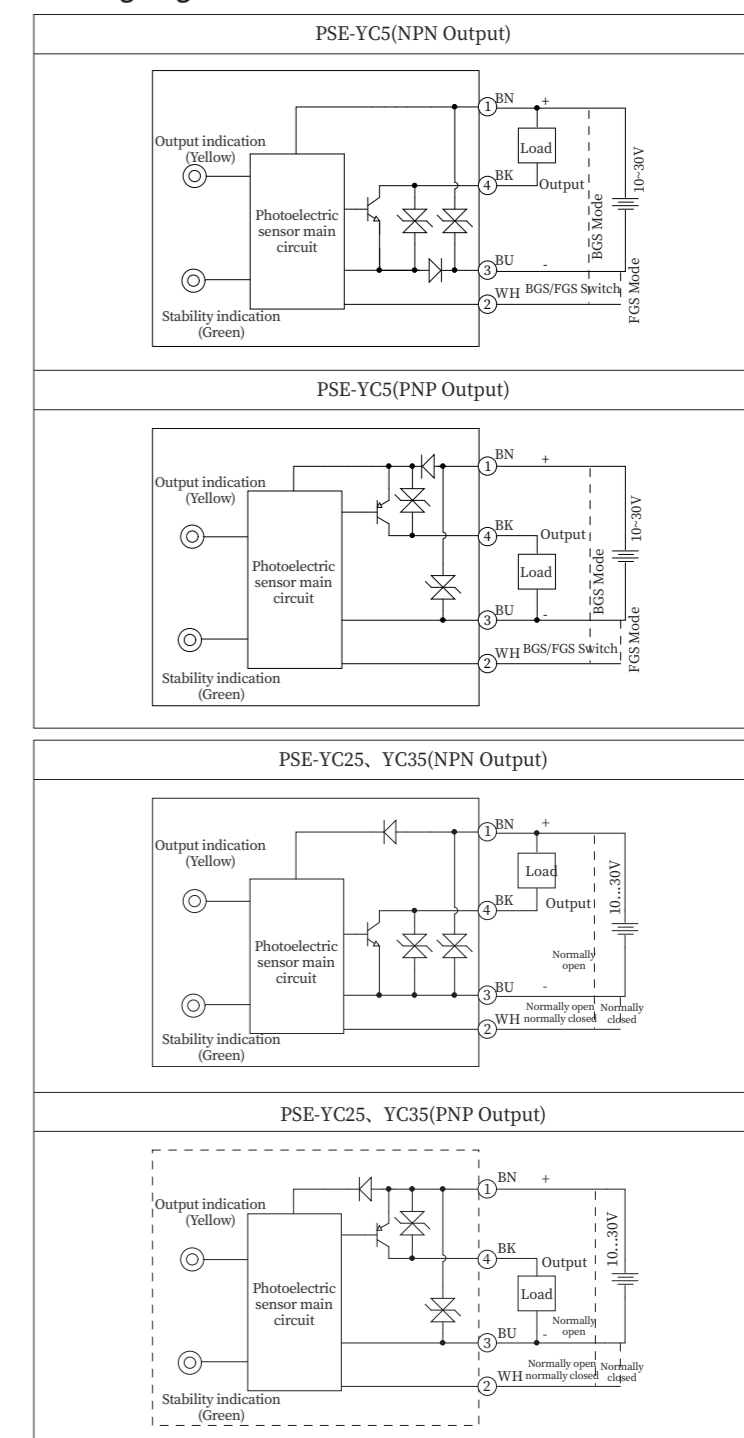
Dimensions



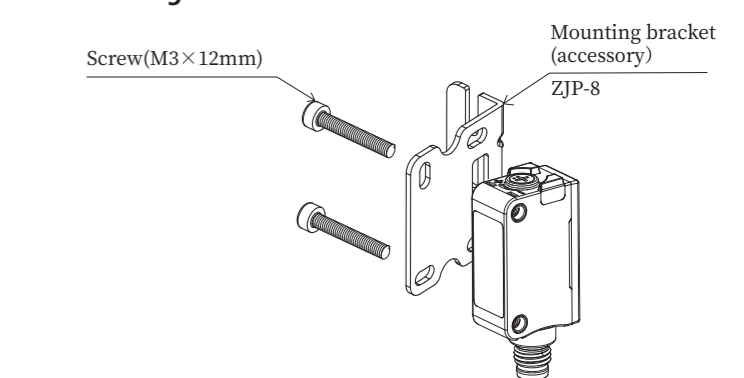
Terminal Wiring Diagram

PSE-YC5	PSE-YC25, YC35
<p>1:+ 4:OUT 3:- 2:-FGS/+BGS</p> <p>BN:+ BK:OUT BU:- WH:-FGS/+BGS</p>	<p>1:+ 4:OUT 3:- 2:-NC/+NO</p> <p>BN:+ BK:OUT BU:- WH:-NC/+NO</p>

Wiring diagram



Mounting



Note: When installing this product, please keep the tightening torque below 0.5N·m