

汽车行业加工解决方案

Manufacturing Solutions for Automotive Industry



+ 华东大区
Eastern China Region

上海市青浦区华新镇华隆路1777号D栋610室
Add: Room 610 Building D No. 1777 Hualong Road
Huaxin Town Qingpu District Shanghai
Tel: +86-592-7301561

+ 华南大区
Southern China Region

广东省东莞市长安镇锦厦聚和机械模具五金城D1区49A号
Add: No. 49A D1 District Jinxia Juhe Machinery Mould
Hardware Commercial District Chang'an Town
Dongguan City Guangdong Province
Tel: +86-592-7310203

+ 西部大区
West Region

四川省成都市成华区建材路隆鑫九熙三期一栋2119
Add: Room 2119 Building 1 Longxin Jiuxi Phase III
Jiancai Road Chenghua District Chengdu City
Sichuan Province
Tel: +86-592-7306375

+ 华北大区
Northern China Region

天津市西青区碧祥路新津国际新兴园6-2-701
Add: 6-2-701 Xinjin International Xinxing Park Bixiang Road Xiqing
District Tianjin
Tel: +86-592-7301126

+ 东北大区
Northeast Region

辽宁省沈阳市铁西区建设东路158号（华润铁西中心）2109号
Add: No. 2109 (China Resources Tiexi Center) No. 158 Jianshe East
Road Tiexi District Shenyang City Liaoning Province
Tel: +86-592-7306375

+ 华中大区
Central China Region

湖北省武汉市经济技术开发区创业路12号嘉昱商务中心B座1304-1307号
Add: No. 1304-1307 Block B Jiayu Business Center No. 12 Chuangye
Road Wuhan Economic and Technological Development Zone Hubei
Province
Tel: +86-592-7310203

厦门金鹭特种合金有限公司
XIAMEN GOLDEN EGRET SPECIAL ALLOY CO.,LTD.

地址：中国厦门市湖里区兴隆路69号
Add: No.69 Xinglong Road Huli District Xiamen CHINA
工厂地址：中国厦门同安工业集中区集成路1601-1629号
Factory Add: No.1601-1629 Jicheng Road Industrial
Concentration Area Tongan Xiamen CHINA
Tel: +86-592-7107392 Fax: +86-592-7107322
PC: 361006 Email: gesac@cxtc.com

www.gesac.com.cn

400-998-6858



BST202103f



厦门金鹭特种合金有限公司, 成立于 1989 年, 是一家中外合资的国家高新技术企业, 隶属于中国六大稀土集团之一的厦门钨业股份有限公司。公司致力于高品质钨粉末材料、硬质合金、精密切削工具等钨系列产品的研发、生产, 以及行业专业解决方案的提供, 是世界知名的钨粉末、硬质合金及切削工具供应商。

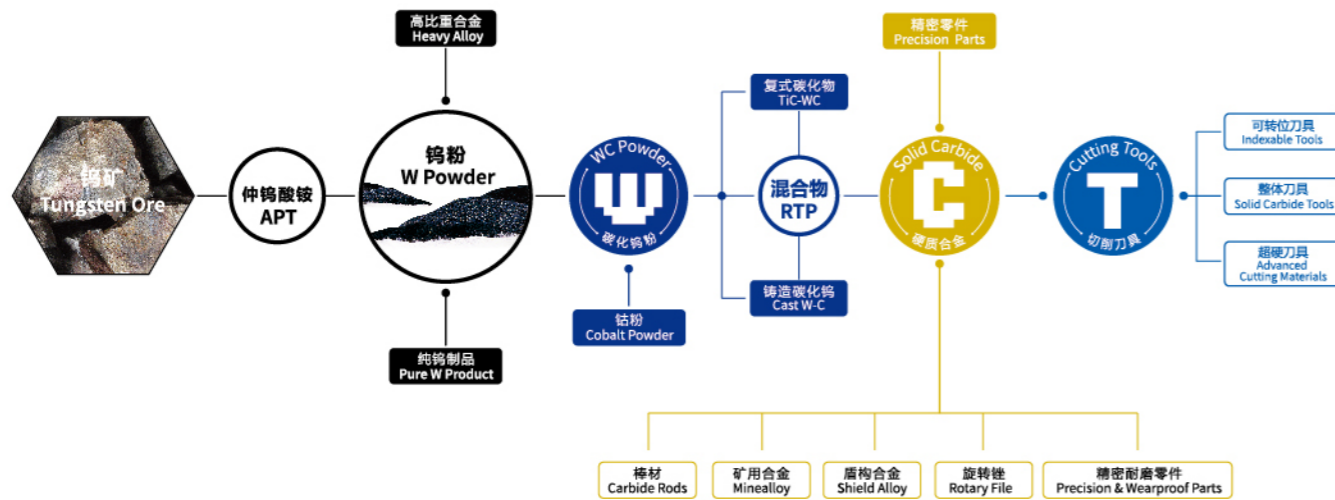
凭借完整钨产业链的产品集成技术研发, 以及务实、创新的管理理念, 厦门金鹭始终保持着强劲的发展势头, 为全球用户提供最高性价比的产品和服务, 为现代工业领域解决高硬度、耐高温、耐磨损问题, 提供了优良的产品和完善的解决方案, 客户遍布全球四十多个工业发达国家和地区, 享誉海内外。

公司拥有国内 4 个生产基地和 1 个国家级企业研发中心, 海外 3 个销售公司和 1 个海外生产基地, 独立承担并完成多项“国家科技支撑计划项目”, “国家科技重大专项”, “国家火炬计划项目”, “国家重点新产品”开发项目及省市重点研究课题, 被评为“战略性新兴产业骨干企业”、“创新型企业”、“先进科技企业”。

Xiamen Golden Egret Special Alloy Co., Ltd. (GESAC), founded in 1989, is a Sino-foreign joint venture with national high-tech, affiliated with XTC, which is one of six major rare earth groups in China. GESAC is committed to research & development, production and professional solutions providing of high-quality tungsten powder materials, cemented carbide, precision cutting tools and other tungsten products. Up to now, GESAC has become world-famous manufacturer and supplier of tungsten powder, cemented carbide and precision cutting tools products.

With the Integrated Product Development of complete tungsten industry chain, as well as a pragmatic and innovative management concept, GESAC has always maintained a strong momentum of development, providing the cost effective tungsten powder products and services for global users, offering the excellent products and perfect solutions for solving high hardness, high temperature resistance and wear resistance topics. Our brand "Golden Egret" has become one of the leading brand in the market, enjoying famous reputation in more than 40 countries and regions.

GESAC owns four production headquarters and one national level research center domestically, and three sales branches and one production base overseas. We undertook and completed several development programs independently, including the “National Science and Technology Support Programs”, the “National Torch Program Projects”, and the “National Key Projects” and so on. GESAC was awarded as “Key Enterprise for Strategic Emerging Industry”, “Innovative Enterprise” and “Enterprise with Advanced Technology”.



加工解决方案
Manufacturing Solutions

曲轴 Crankshaft	02
缸体 Cylinder Block	04
凸轮轴 Camshaft	08
连杆 Rod	10
涡轮增压器壳体 Turbocharger Housing	12
制动钳 Brake Caliper	14
变速箱轴齿 Shaft & Gear of Transmission	16
差速器壳体 Differential Housing	20
车桥前轴 Front Axle	22



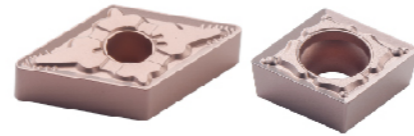
**端面铣削
Face Milling**

- SNEU+MFB145/245/288
高强度通用铣削
High Intension General Face Milling



**车削加工
Turning**

- 通用粗-精车削
General Rough-finish Turning



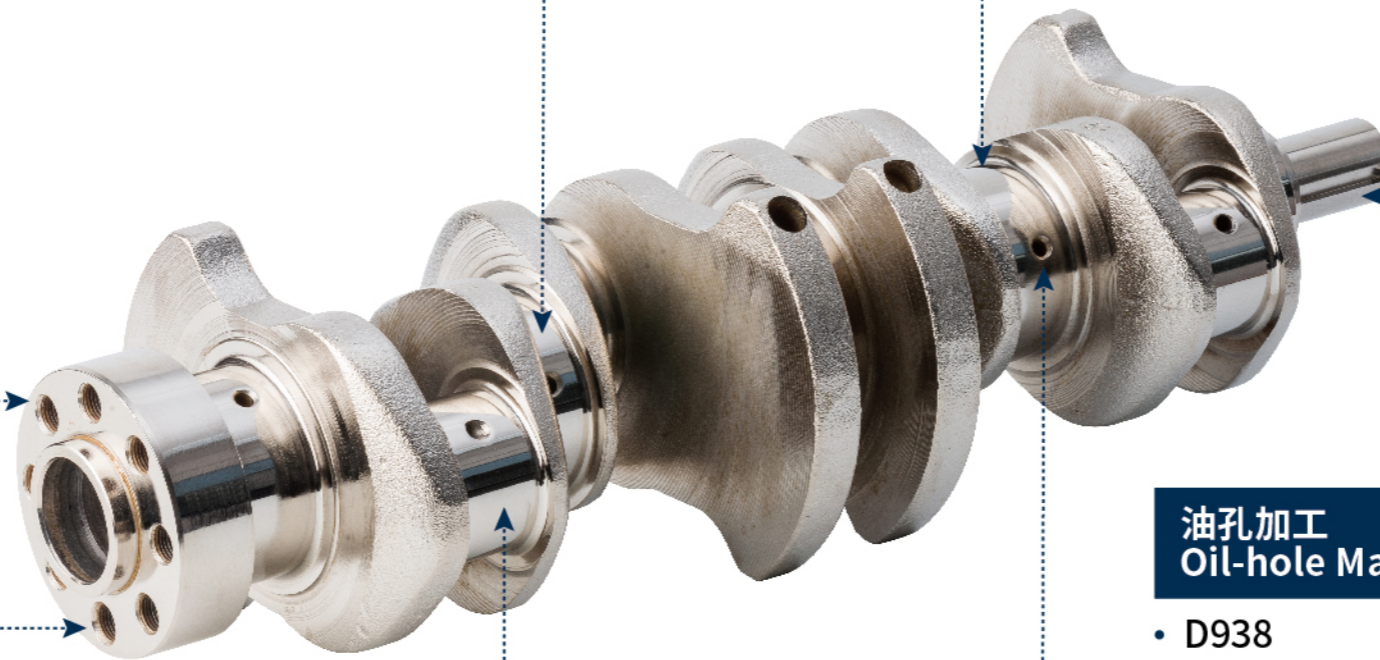
**车车拉
Turn Turn Broaching**

- 高刚性、高精度模块化刀体
Modular cutter with high rigidity and precision
- 刀片灵活布置, 确保高效加工
Flexible inserts arrangement ensures high productivity



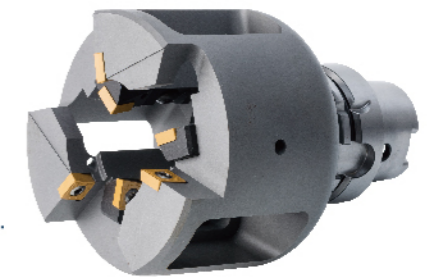
**孔加工
Hole Making**

- D918S
普通钢加工硬质合金麻花钻
Drills for Steel Applications
- QPMG+GHDS
高效可转位钻头
High Efficiency Indexable Drills
- 高性能钢及铸铁用丝锥
High-performance Tap for
Steel & Cast Iron Applications



**套车
Multistation Turning**

- 高效复合加工
High Efficiency Combination Tool



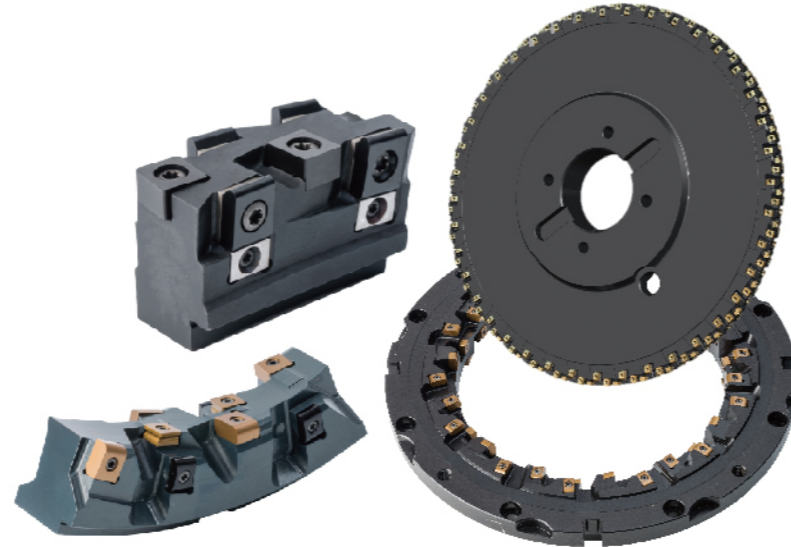
**油孔加工
Oil-hole Making**

- D938
深孔内冷麻花钻
Deep-hole Inner Cooling Twist Drill



**内外铣
Internal & External Milling**

- 高精度超密齿刀盘, 实现高速、高效加工
High precision super dense pitch cutter enable high speed , high precision machining
- 减少换刀次数, 降低成本
Reduce tool change frequency and production costs



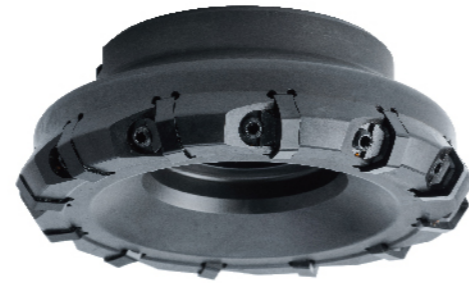
高精度刀具(High Precision Cutter)

对于直径150-500mm的内外铣刀盘, 轴向和径向跳动精度可达: 0.02-0.03mm。
For D150-500mm cutter, axial and radial runout accuracy could reach 0.02-0.03mm

曲轴铣刀片尺寸关键尺寸精度可达±0.01mm, 一致性控制标准0.008mm。
Key dimension accuracy of crankshaft milling insert could reach ±0.01mm, consistency control standard could reach 0.008mm

上下面铣削
Face Milling

- HNEXT+MFB160
经济型双面铸铁铣削
Economical and Double-sided Cast Iron Face Milling
- SNEN/X+MFN175
精密高效CBN面铣
High Precision CBN Face Milling



缸孔镗削
Boring

- SDKX/LNMT
定制缸孔粗镗
Customized Rough Boring Tools for Cylinder Holes



复合孔加工
Compound Hole Making

- QPMG+定制刀体
高效复合孔加工
High Efficiency Combination Tool



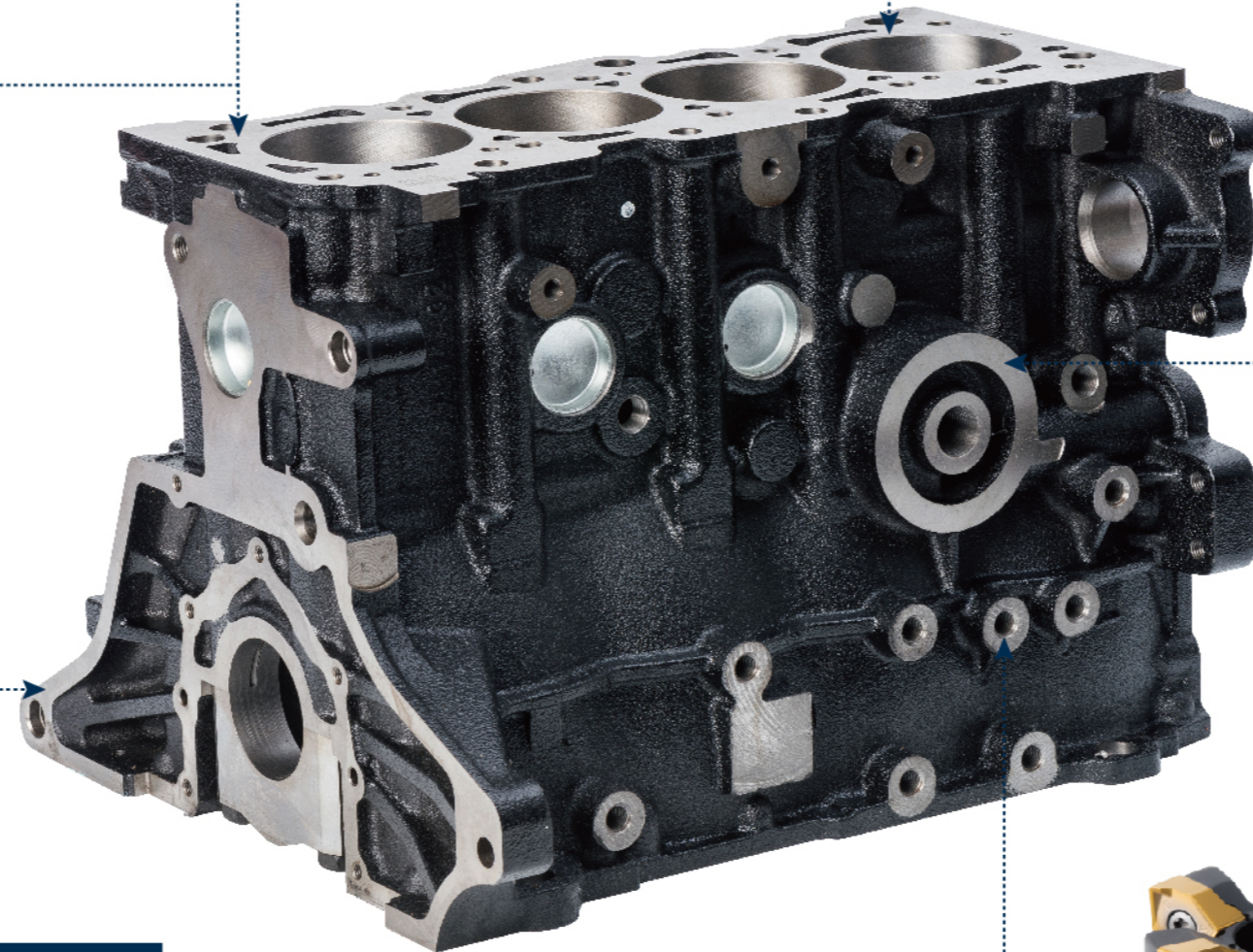
前后面铣削
Face Milling

- SNEU+MFB288
高强度通用铣削
High Intension General Face Milling



凸台铣削
Face Milling

- WNGU+MEE190
双面曲线刃方肩铣削
Double-sided Helical Edge Shoulder Milling





**止推面铣削
Thrust Face Milling**

- LNMT
非标定制三面刃铣削
Tailor-made Slot Milling

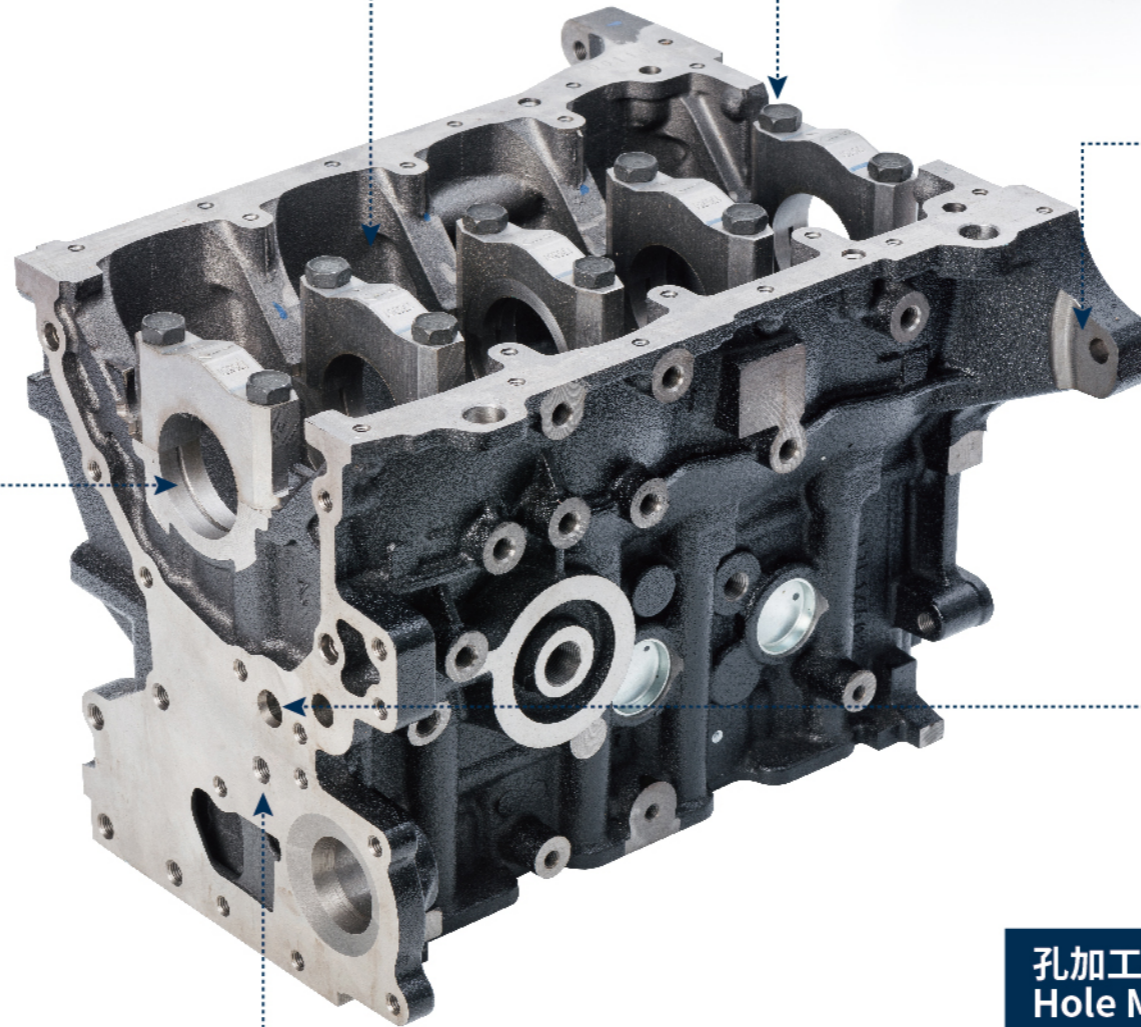


**曲轴孔加工
Crankshaft Hole Making**

- CCMT
多阶梯高效复合孔加工
High Efficiency Combination Tool

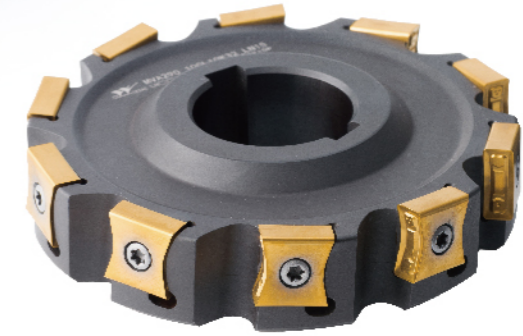
**孔加工
Hole Making**

- D938
深孔内冷麻花钻
Deep-hole Inner Cooling Twist Drill
- 非标定制直槽钻
Tailor-made Straight Fluted Drill



**瓦口面铣削
Face Milling**

- SDKT+MES190
经济型正型4刃方肩铣削
Economy Positive 4 Edges Shoulder Milling



**反面铣削
Reverse Face Milling**

- LNMT
非标定制三面刃铣刀
Tailor-made Face and Side Cutter

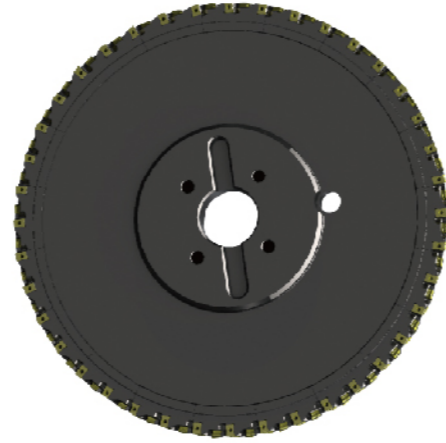
**孔加工
Hole Making**

- D928
铸铁加工硬质合金麻花钻
Twist Drills for Cast Iron
- 非标定制铰刀
Tailor-made Reamers
- 高性能铸铁用丝锥
High-performance Tap for Cast Iron Applications



**外铣
External Milling**

- 高精度超密齿刀盘, 实现高速、高效加工
High precision super dense pitch cutter enable high speed, high precision machining



**车削加工
Turning**

- 通用轴颈车削加工
General Turning for Journal



**孔加工
Hole Making**

- D918S
普通钢加工硬质合金麻花钻
Drills for Steel Applications
- 高性能钢用丝锥
High-performance Tap for Steel Applications

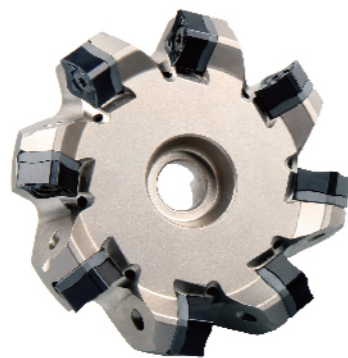


**尾槽/VVT槽铣削
Slot Milling**

- UP210
通用钢件加工立铣刀
General End Milling for Steel

**端面铣削
Face Milling**

- SNEU+MFB145/245
高强度通用铣削
High Intension General Face Milling



**切槽加工
Grooving**

- MT+GK
通用切槽加工
General Grooving
- GB+GB
精密浅槽加工
High Precision Shallow Grooving



方肩铣削 Shoulder Milling

- APKT+MEB190
双面曲线刃方肩铣削
Double-sided Helical Edge Shoulder Milling
- PP300
高效钢件加工立铣刀
High Efficiency Endmills for Steel



端面铣削 Face Milling

- HNEU+MFC145/160
高经济型通用铣削
High Economical General Milling



小头孔加工 Hole Making

- QPMG+GHDS
高效可转位钻头
High Efficiency Indexable Drills
- 非标粗镗系统
Customized Rough Boring System

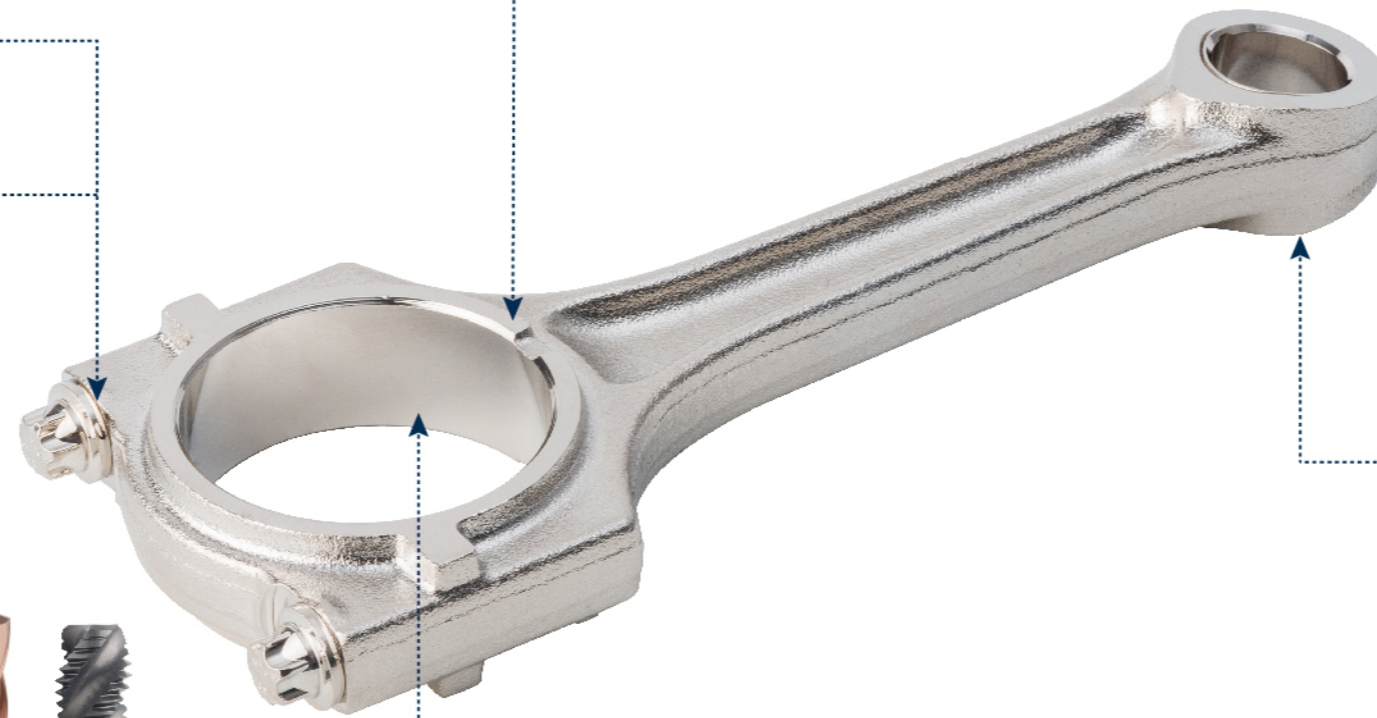
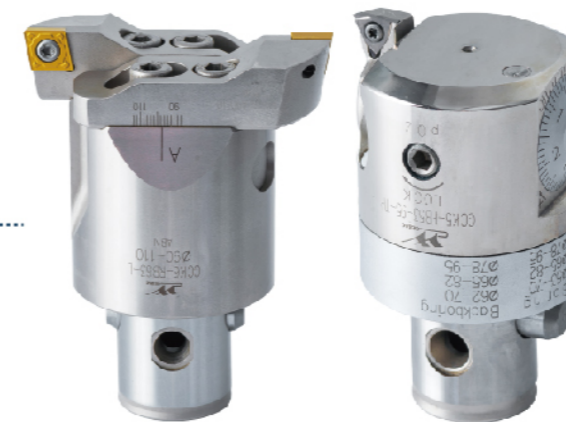
螺栓孔加工 Bolt Hole Making

- D918S
普通钢加工硬质合金麻花钻
Drills for Steel Applications
- 高性能钢用丝锥
High-performance Tap for Steel Applications



大头孔加工 Hole Making

- FB
精镗系统
Finish Boring System
- RB
粗镗系统
Rough Boring System



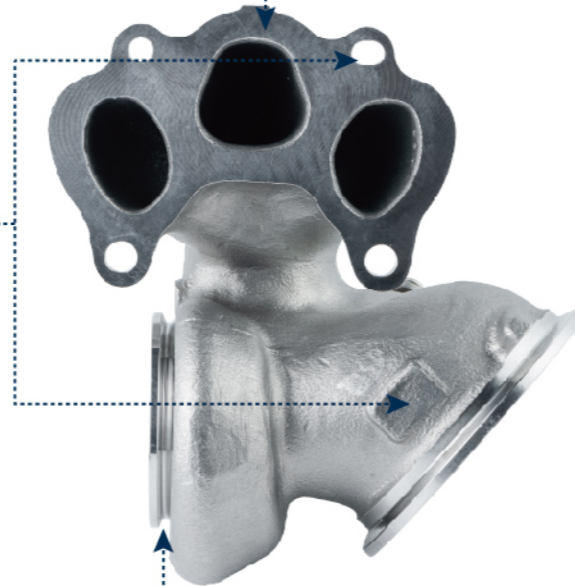
**法兰面铣削
Face Milling**

- HNEU+MFC145
高经济型通用铣削
High Economical General Face Milling



**打标面/U型孔加工
Shoulder Milling**

- SN200
高温合金高性能加工立铣刀
High Performance Endmills for Heat Resistant Super Alloy
- SS600
不锈钢高性能加工立铣刀
High Performance Endmills for Stainless Steel



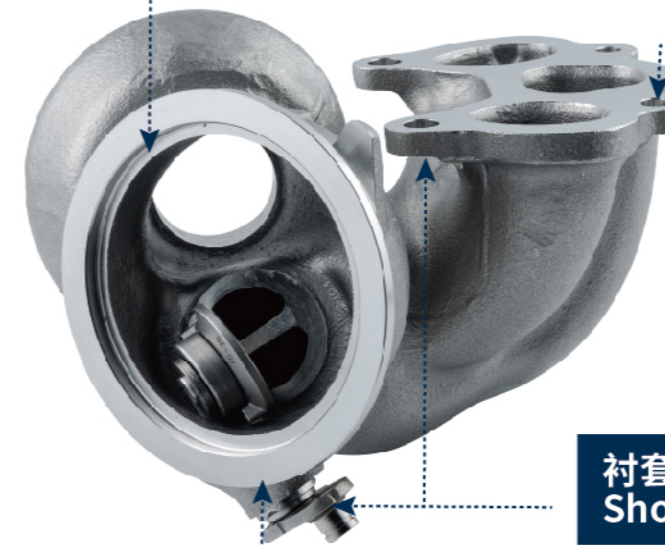
**环槽/V带槽加工
Grooving**

- 非标定制槽刀
Customized Grooving



**端面槽加工
Grooving**

- MT+GKFR/L
通用切槽加工
General Grooving
- GB+非标定制刀体
GB + Customized Cutter



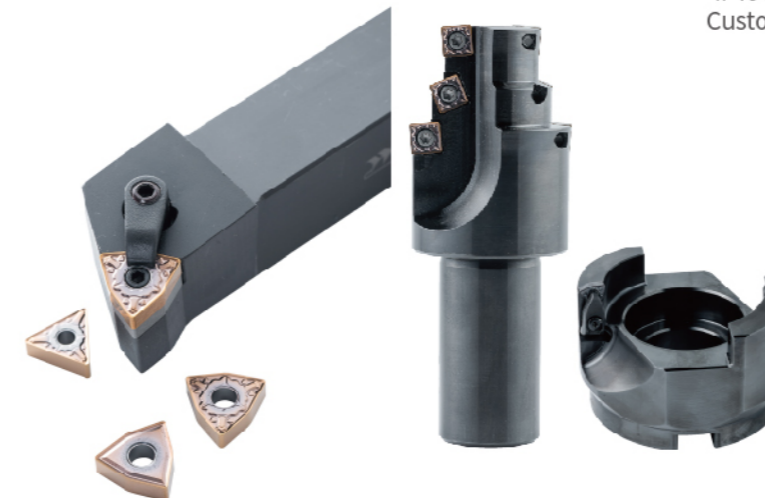
**衬套孔/凸台面加工
Shoulder Milling**

- SDKT+MES190
经济型正型4刃方肩铣削
Economical Positive 4 Edges Shoulder Milling
- 非标定制镗刀
Customized Countsink



**外圆/内孔加工
Outer Circle & Internal Hole Machining**

- 标准车削刀具
Standard Turning
- 非标定制镗刀
Customized Boring



**孔加工
Hole Making**

- D968S
不锈钢加工硬质合金麻花钻
Drills for Stainless Steel Applications
- 非标定制铰刀
Customized Reamer
- 高性能钢用丝锥
High-performance Tap for Steel Applications



支耳面加工
Lug Face Milling

- 定制三面刃铣削刀具
Tailor-made Slot Milling



密封槽加工
Slot Milling

- 高精度非标槽铣刀具
High Precision Tailor-made Slot Milling



避让面加工
Slot Milling

- 定制三面刃铣削刀具
Tailor-made Slot Milling



凸台铣削
Face Milling

- WNGU+MEE190
双面曲线刃方肩铣削
Double-sided Helical Edge
Shoulder Milling



沉台面加工
Face Milling

- 定制面铣刀具
Tailor-made Face Milling



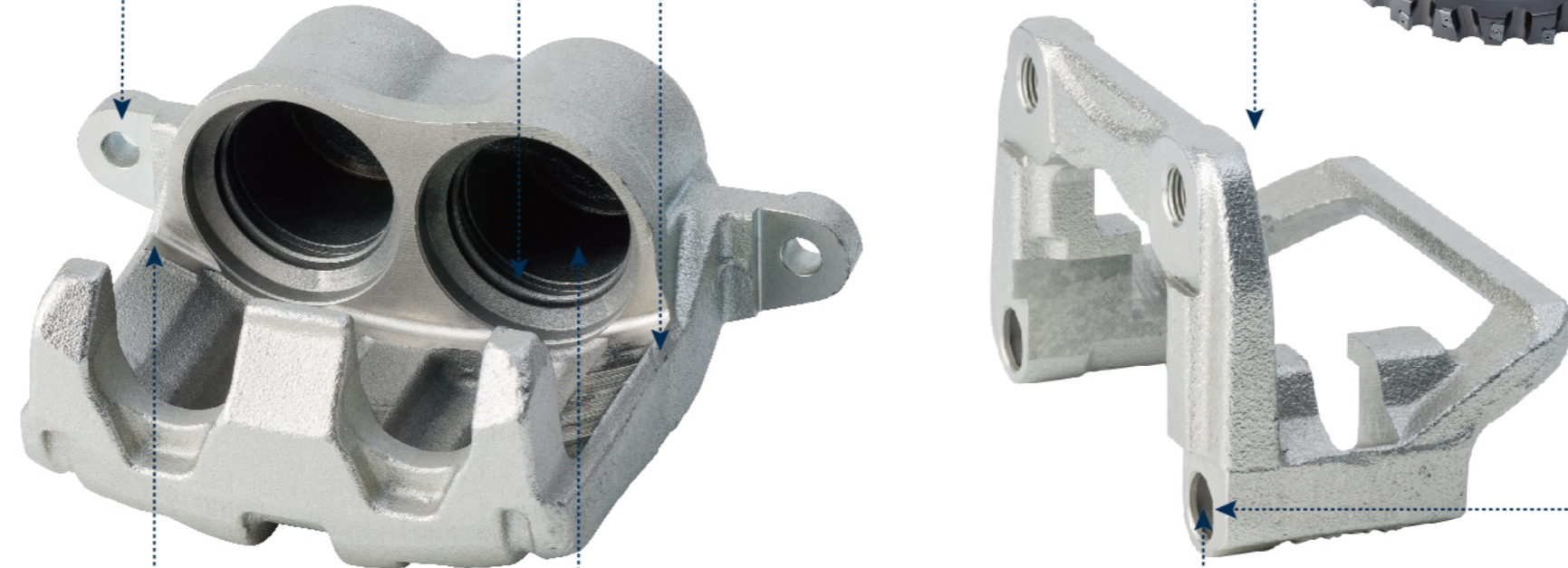
活塞孔加工
Piston Hole Making

- 定制复合加工刀具
Tailor-made Combination Tool



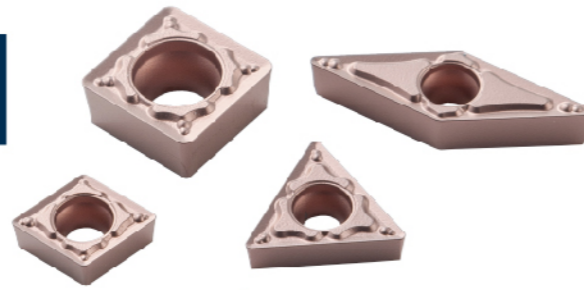
孔加工
Hole Making

- D928
铸铁加工硬质合金麻花钻
Twist Drills for Cast Iron
- 非标定制铰刀
Tailor-made Reamers
- 高性能铸铁用丝锥
High-performance Tap for Cast Iron Applications



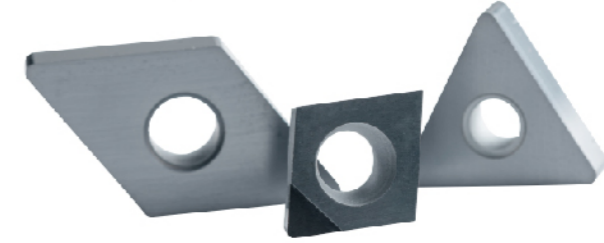
车削加工
Turning

- MM系列
通用正型精加工
General Positive Finishing



热后硬车
Turning after Heat Treatment

- PCBN车削加工
PCBN Turning



孔加工
Hole Making

- D918S
普通钢加工硬质合金麻花钻
Drills for Steel Applications



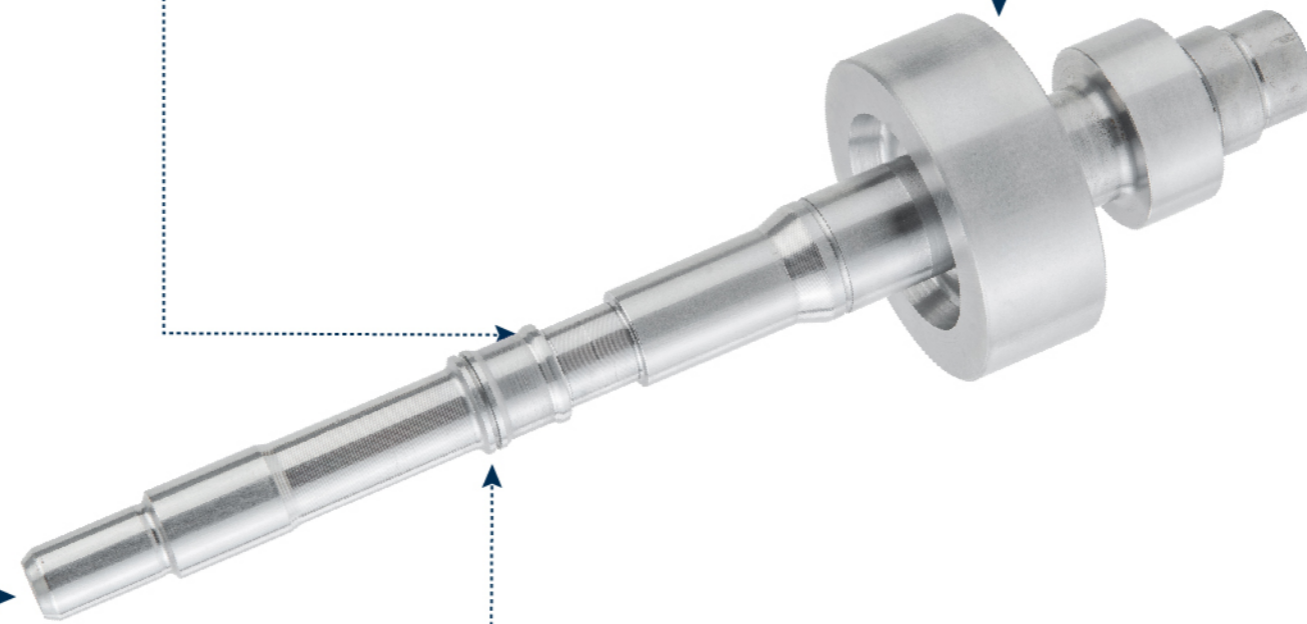
切槽加工
Grooving

- MT+GK
通用切槽加工
General Grooving
- GB+GB
精密浅槽加工
High Precision Shallow Grooving



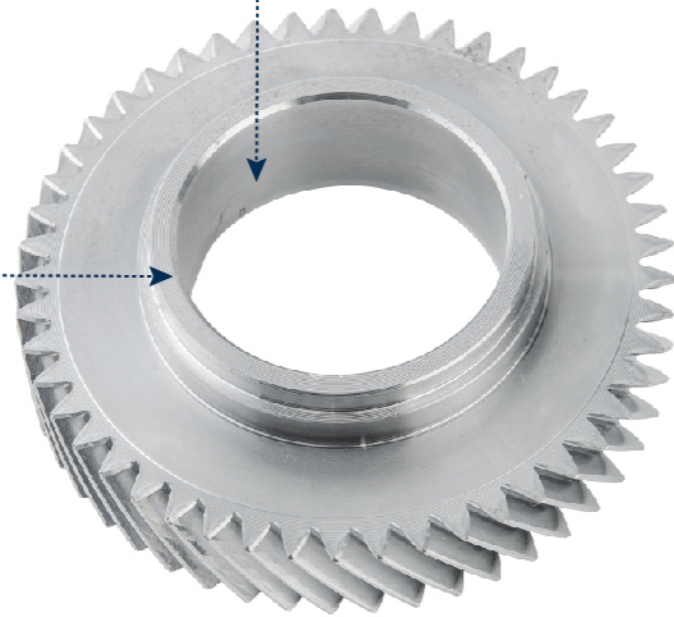
深孔加工
Deep-hole Making

- D938
深孔内冷麻花钻
Deep-hole Inner Cooling Twist Drill



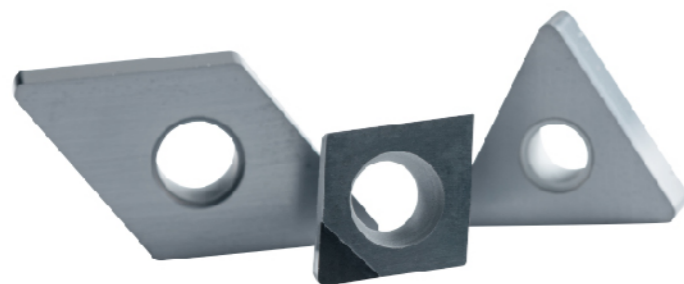
**车削加工
Turning**

- MM系列
通用正型精加工
General Positive Finishing



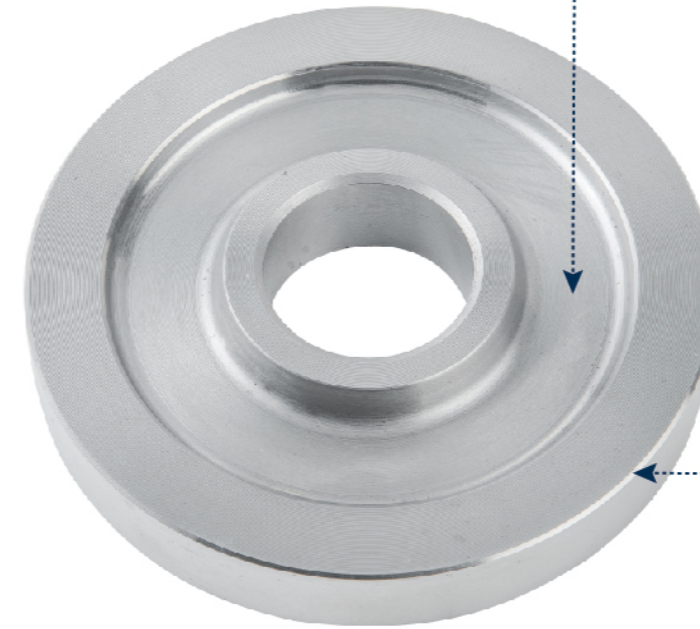
**热后硬车
Turning after Heat Treatment**

- PCBN车削加工
PCBN Turning



**切槽加工
Grooving**

- MT/MR+GK
通用切槽加工
General Grooving



**外圆及端面车削加工
Excircle and Face Turning**

- QF系列
通用负型精加工槽型
General Negative Finishing
- QM系列
通用负型半精加工槽型
General Negative Semifinishing
- MM系列
通用正型精加工槽型
General Positive Finishing



**车削加工
Turning**

- 通用粗-精车削加工
General Rough-finish Turning



**销孔加工
Pin Hole Making**

- PP300
高效加工立铣刀
High Efficiency Endmills
- D938
普通钢加工硬质合金麻花钻
Drills for Steel Applications



**切槽加工
Grooving**

- MT+GK
通用切槽加工
General Grooving
- GB+GB
精密浅槽加工
High Precision Shallow Grooving



**内球面加工
Inner Sphere Making**

- DCGW+非标定制刀杆
DCGW + Tailor-made Cutter



**孔加工
Hole Making**

- QPMG+GHDS
高效可转位钻头
High Efficiency Indexable Drills
- D918S
普通钢加工硬质合金麻花钻
Drills for Steel Applications
- 非标定制铰刀
Tailor-made Reamer
- 高性能钢及铸铁用丝锥
High-performance Tap for
Steel & Cast Iron Applications



**半轴齿轮面车削
Axle Shaft Gear Face Turning**

- CCGT+非标定制抗震刀杆
CCGT + Tailor-made Cutter



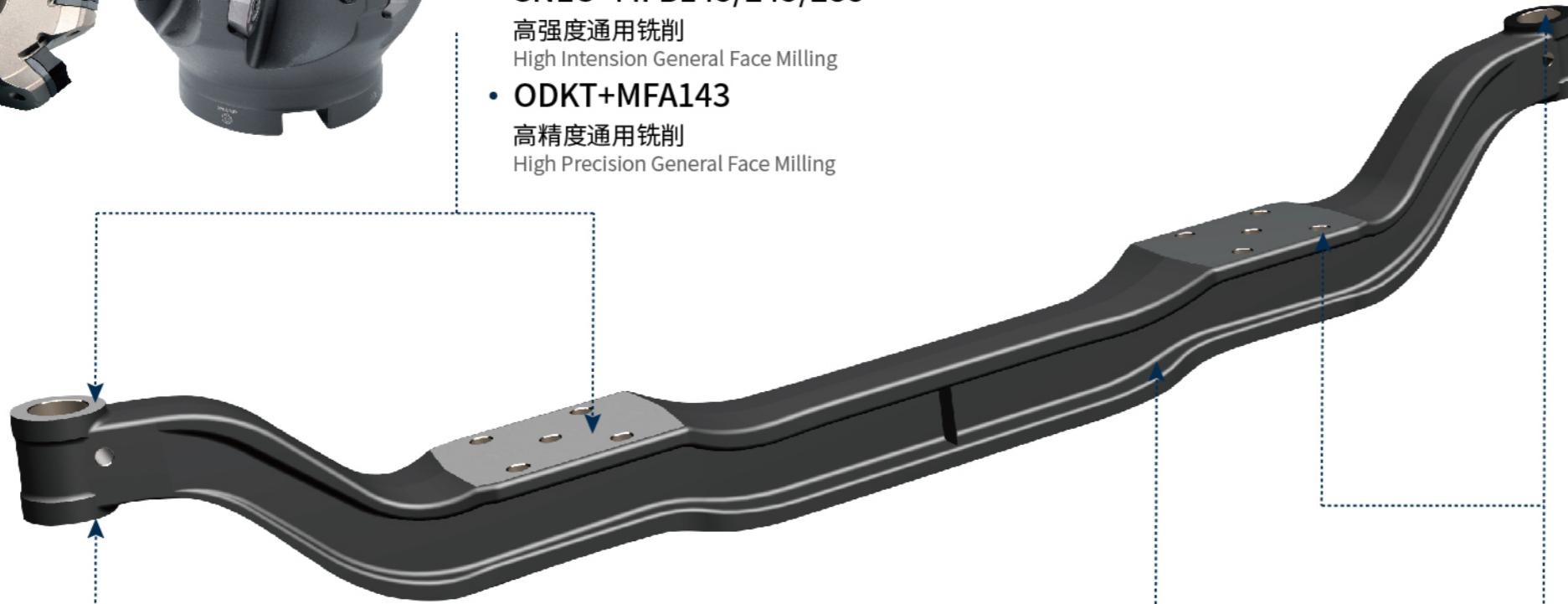


**端面铣削
Face Milling**

- SNEU+MFB145/245/288
高强度通用铣削
High Intension General Face Milling
- ODKT+MFA143
高精度通用铣削
High Precision General Face Milling

**外圆铣削
Shoulder Milling**

- APKT+MHB190
曲线刃玉米铣削
Helical Edge Corn Milling



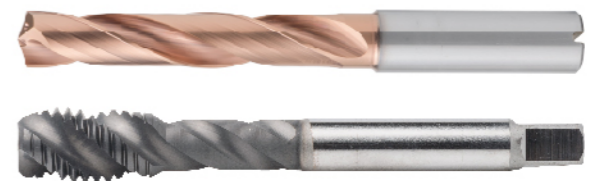
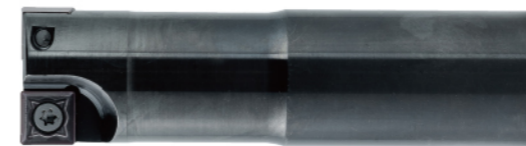
**主销孔加工
Hole Making**

- QPMG+GHDS
高效可转位钻头
High Efficiency Indexable Drills
- FB
精镗系统
Finish Boring System
- RB
粗镗系统
Rough Boring System



**沉台加工
Countersinking**

- 非标定制铰刀
Customized Countersink



**销孔加工
Pin Hole Making**

- D918S
普通钢加工硬质合金麻花钻
Drills for Steel Applications
- 高性能钢用丝锥
High-performance Tap for Steel Applications

